



Witt

Publication No .WT-CTX-0720B
Replaces WT-CTX-0819A and all previous versions

Center Mount Unit Cooler

Small to Medium Walk-Ins
Cooler and Freezer Applications

Air Defrost
4,100 to 30,400 BTUH

Electric Defrost
3,700 to 32,400 BTUH



Center Mount

Features

Center Mount Unit Coolers are designed for use in walk-in coolers and freezers with very low headroom clearance. Units mount flush to the ceiling to provide extra storage space. Features include two-way air flow to provide for even circulation and temperature, easy serviceability, usability with multiple refrigerants, and are available in air and electric defrost models.

SIZES

There are a wide array of sizes available with capacities ranging from 3,700 to 32,400 BTUH at a 10°TD. One through five fan models are available with air flow spanning a range of 572 to 3,150 CFM.

HOUSING

The embossed aluminum casing is lightweight yet durable. Each fan section is baffled to prevent short cycling of the discharge air. The units are designed to mount flush to the ceiling and are compliant with NSF requirements. Top panel contains 3/8" mounting holes to simplify installation. The housing is sloped to provide more efficient condensate draining. An uniquely shaped control access cover allows for easy access for service in confined spaces.

COIL

Copper hairpins consist of high efficiency 3/8" enhanced copper tubes which are staggered and mechanically expanded into corrugated aluminum fins achieving maximum heat transfer while reducing refrigerant charge. Die formed fin collars provide even fin spacing. Medium temperature models are available with 6 fins per inch (FPI) and low temperature models with 4 FPI. Sweat connections are standard on all models.

FANS

Aluminum 12" fans are balanced to provide vibration-free operation. Improved black plastic fan guard design and deep draw venturi achieve optimal air pattern. Fan motors and blades can be easily accessed by removing the fan guard.

MOTORS

Standard models feature highly efficient Dual Speed Electronically Commutated (EC) motors. Dual Speed EC motors are available for 115V or 208/230V and are compliant with California Title 24 regulations. All motors include thermal overload protection.

ELECTRICAL

Available for 115V, and 208/230V. All components are factory wired to terminal strips and are UL and cUL listed.

AIR DEFROST

Air Defrost models (WE6A) are designed for use in coolers down to 35°F.

ELECTRIC DEFROST

Electric Defrost 6 FPI models (WE6E) are designed for use in coolers and freezers down to -10°F and 4 FPI models (WE4E) are designed for use in freezers between 32°F to -10°F.

Optional Features

- EcoNet® Enabled Controller¹ factory-installed
- EcoNet® Command Center (loose)
- Thermostat - Mechanical or Electric (mounted or loose)
- Thermostatic Expansion Valve (mounted or loose)
- Electronic Expansion Valve (mounted or loose)
- Liquid Line Solenoid Valve (mounted or loose)
- Insulated Drain Pan
- Painted Cabinet (White or Black)
- Coated Cabinet
- Stainless Steel Cabinet
- Coated Coil (Baked epoxy, Heresite, Bronz-Glow, or Electrofin®)
- Heat Exchanger (loose)

Note

¹ EcoNet Control Package includes: EEV; suction pressure transducer; suction, entering air coil temp. thermistors; local on-board two-row LCD display and push-button adjustments. (Controller replaces TXV, liquid line solenoid valve, room thermostat, defrost termination and fan delay, and time clock.)

MODEL NUMBER NOMENCLATURE

CONFIGURABLE BASE MODEL

W	E	6	A	041	A	D	A
Brand	Style	Fins Per Inch	Defrost Type	BTUH in Hundreds	Unit Voltage [^]	Motor Type	Revision
W - Witt	E - Center Mount	4 FPI 6 FPI	A - Air E - Electric		A - 115/1/60 D - 208-230/1/60	D - Dual Speed EC	

Note

[^] 50 Hz available. Contact Factory for additional information.

Low Height Unit Cooler

Highlighted Features and Options



FANS AND HOUSING

- Extra low height — mounts flush to ceiling
- Two-way air flow for even air circulation and consistent temperature
- 12" aluminum fans are balanced for vibration-free operation
- High efficiency fan guard design and deep draw venturi provide optimal air flow
- Easy access to fan motors
- Sloped housing for efficient condensate draining
- UL and NSF approved



COILS AND DEFROST HEATERS

- Available in 4 or 6 FPI
- Electric defrost heaters are mounted on the air intake coil face to provide optimal performance and are easily accessible by removing the venturi panel
- Independent defrost termination on each coil slab for efficient defrosting
- Independent drain pan per coil

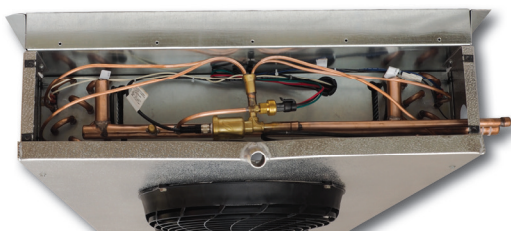
ECONET ENABLED UNIT COOLERS (Optional)

Developed in conjunction with Rheem Manufacturing specifically for walk-in coolers and freezers — it builds on the reliability and efficiency of Rheem's EcoNet technology.



- Saves energy in refrigeration systems through precise superheat and space temperature control, fan cycling, and controlling how often the system goes into defrost based on compressor runtime
 - Eliminates unnecessary defrosts
 - Maximizes energy efficiency with less compressor runtime
 - Reduces fan speed to 50% during off cycle for energy savings
- Can be used with a condensing unit in single and multiple evaporator installations as a group
- Optional **EcoNet Command Center** with intuitive graphical interface controls up to 32 devices (including the Command Center) through one display, provides continuous communication between system components, and the remote mount display allows for EcoNet Enabled Unit Coolers to be programmed, monitored and troubleshot outside of the space being cooled

ELECTRICAL AND PIPING



Unit shown with EcoNet option installed

- Unique design of control access cover allows for service in confined spaces
- Ample room in electrical and piping compartments for easy access

Center Mount

EVAPORATOR APPLICATION RATINGS

Multiple conditions combine to determine the application capacity of an evaporator. Walk-in space temperature, relative humidity, saturated suction temperature difference, and outdoor ambient temperature. All of the factors are considered when calculating an evaporator application rating. These ratings are considerably higher than the net capacity value used for DOE ratings (AWEF).

The AWEF of an evaporator is calculated using the dry coil capacity and the daily evaporator power consumption. Power consumption included fan and defrost power. Evaporator net capacity reported to the DOE database is dry coil capacity less the full power fan watts. DOE test conditions are at 10°F evaporator/SST temperature difference and less than 50% relative humidity and 96°F liquid temperature. These conditions create a uniform test method, but should not be used for equipment selection. The equipment selected would be too large for the application.

Witt's published application ratings are a guideline for proper equipment selection. They account for true operating conditions experienced by equipment.

Application Rating and Electrical Data - Air Defrost Models

	Model Number	BTUH Capacity @ 25°F S.T. & 10°F TD		CFM	No. of Fans	Total Fan Motor AMPS - 1 Phase		MCA		MOPD			
		R404A	R407A/ R448A/ R449A/B [^]			Dual Speed EC Motors [†]		115V	208- 230V	115V	208- 230V	115V	208- 230V
						115V	208- 230V						
6 FPI	WE6A041*DA	4,100	4,900	572	1	0.8	0.5	15.0	15.0	20	20		
	WE6A070*DA	7,000	8,200	1,204	2	1.6	1.0	15.0	15.0	20	20		
	WE6A084*DA	8,400	9,900	1,144	2	1.6	1.0	15.0	15.0	20	20		
	WE6A104*DA	10,400	12,300	1,806	3	2.4	1.5	15.0	15.0	20	20		
	WE6A128*DA	12,800	15,100	1,716	3	2.4	1.5	15.0	15.0	20	20		
	WE6A141*DA	14,100	16,600	2,408	4	3.2	2.0	15.0	15.0	20	20		
	WE6A169*DA	16,900	19,900	2,288	4	3.2	2.0	15.0	15.0	20	20		
	WE6A204*DA	20,400	23,900	2,860	5	4.0	2.5	15.0	15.0	20	20		
WE6A258*DA	25,800	30,400	3,150	5	4.0	2.5	15.0	15.0	20	20			

Consult Factory for 50Hz Operation

* Asterisk represents a variable character based on voltage ordered. See page 2 for nomenclature.

[^] Refrigerants with large glides are rated at dew point temperature. Use R407A capacity ratings for R407C and R407F.

[†] Dual-speed EC motors are compliant with California Title 24 regulations.

Models were designed in anticipation of the July 2020 Department of Energy AWEF regulations for evaporators for Walk-in Coolers and Freezers in boxes less than 3,000 sq. ft. See below for AWEF compliance ratings.

AWEF Ratings - Air Defrost Models

Air Defrost Department of Energy Annual Walk-In Energy Factor (AWEF) Ratings			
Base Model Number	Defrost Type	FPI	AWEF

* Asterisk represents a variable character based upon voltage ordered. See page 2 for nomenclature.

1. If the model has a numerical value in the AWEF table, the following statement applies: "The refrigeration system is designed and certified for use in walk-in cooler applications."

Cooler Models¹

WE6A041*DA	Air Defrost	6	9.00
WE6A070*DA	Air Defrost	6	9.00
WE6A084*DA	Air Defrost	6	9.00
WE6A104*DA	Air Defrost	6	9.00
WE6A128*DA	Air Defrost	6	9.00
WE6A141*DA	Air Defrost	6	9.00
WE6A169*DA	Air Defrost	6	9.00
WE6A204*DA	Air Defrost	6	9.00
WE6A258*DA	Air Defrost	6	9.00

Low Height Unit Cooler

Application Rating and Electrical Data - Electric Defrost Models

	Model Number	BTUH Capacity @ -20°F S.T. & 10°FDT		CFM	No. of Fans	208-230V/1				
		R404A	R407A/ R448A/ R449A/B [^]			Total Fan Motor AMPS	MCA		MOPD	
							Dual Speed EC Motor [†]	Base Model ¹	EcoNet Enabled ²	Base Model ¹
6 FPI	WE6E037DDA	3,700	4,300	602	1	0.5	15.0	15.0	20	20
	WE6E045DDA	4,500	5,200	572	1	0.5	15.0	15.0	20	20
	WE6E075DDA	7,500	8,700	1,204	2	1.0	15.0	15.0	20	20
	WE6E089DDA	8,900	10,300	1,144	2	1.0	15.0	15.0	20	20
	WE6E108DDA	10,800	12,400	1,806	3	1.5	15.0	15.0	20	20
	WE6E125DDA	12,500	14,300	1,716	3	1.5	15.0	15.0	20	20
	WE6E137DDA	13,700	15,400	2,408	4	2.0	15.0	15.0	20	20
	WE6E182DDA	18,200	20,900	2,288	4	2.0	15.0	15.0	20	20
4 FPI	WE6E221DDA	22,100	25,500	2,860	5	2.5	15.0	16.3	20	20
	WE6E278DDA	27,800	32,400	3,150	5	2.5	15.0	24.4	20	30
	WE4E037DDA	3,700	4,300	572	1	0.5	15.0	15.0	20	20
	WE4E075DDA	7,500	8,700	1,144	2	1.0	15.0	15.0	20	20
	WE4E107DDA	10,700	12,200	1,716	3	1.5	15.0	15.0	20	20
	WE4E149DDA	14,900	17,600	2,288	4	2.0	15.0	15.0	20	20
	WE4E186DDA	18,600	21,300	2,860	5	2.5	15.0	16.3	20	20
	WE4E234DDA	23,400	27,200	3,150	5	2.5	15.0	24.4	20	30

	Model Number	Heater Amps	Heater Watts
		230V/1	
6 FPI	WE6E037DDA	3.2	750
	WE6E045DDA	3.2	750
	WE6E075DDA	6.5	1,500
	WE6E089DDA	6.5	1,500
	WE6E108DDA	9.8	2,250
	WE6E125DDA	9.8	2,250
	WE6E137DDA	13.0	3,000
	WE6E182DDA	13.0	3,000
4 FPI	WE6E221DDA	16.3	3,750
	WE6E278DDA	24.4	5,620
	WE4E037DDA	3.2	750
	WE4E075DDA	6.5	1,500
	WE4E107DDA	9.8	2,250
	WE4E149DDA	13.0	3,000
WE4E186DDA	16.3	3,750	
WE4E234DDA	24.4	5,620	

Consult Factory for 50Hz Operation

[^] Refrigerants with large glides are rated at dew point temperature. Use R407A capacity ratings for R407C and R407F.

[†] Dual-speed EC motors are compliant with California Title 24 regulations.

1. Base Model MCA/MOPD Represents Motor Circuit since Defrost Heaters are powered via the Condensing Unit.
2. EcoNet Enabled Units are not powered by Condensing Unit so Defrost Heaters are incorporated into shown MCA/MOPD.

Models were designed in anticipation of the July 2020 Department of Energy AWEF regulations for evaporators for Walk-in Coolers and Freezers in boxes less than 3,000 sq. ft. See page 6 for AWEF compliance ratings.



Mounts flush to ceiling to maximize storage space
Easy access to fan motors
Sloped housing for efficient condensate draining

Center Mount

AWEF Ratings - Electric Defrost Models

Electric Defrost Department of Energy Annual Walk-In Energy Factor (AWEF) Ratings			
Base Model Number	Defrost Type	FPI	AWEF

Cooler Models¹

WE6E037DDA	Electric Defrost	6	9.00
WE6E045DDA	Electric Defrost	6	9.00
WE6E075DDA	Electric Defrost	6	9.00
WE6E089DDA	Electric Defrost	6	9.00
WE6E108DDA	Electric Defrost	6	9.00
WE6E125DDA	Electric Defrost	6	9.00
WE6E137DDA	Electric Defrost	6	9.00
WE6E182DDA	Electric Defrost	6	9.00
WE6E221DDA	Electric Defrost	6	9.00
WE6E278DDA	Electric Defrost	6	9.00

1. If the model has a numerical value in the AWEF table, the following statement applies: "The refrigeration system is designed and certified for use in walk-in cooler applications."

2. If the model has a numerical value in the AWEF table, the following statement applies: "The refrigeration system is designed and certified for use in walk-in freezer applications."

Electric Defrost Department of Energy Annual Walk-In Energy Factor (AWEF) Ratings			
Base Model Number	Defrost Type	FPI	AWEF

Freezer Models²

WE6E037DDA	Electric Defrost	6	4.15
WE6E045DDA	Electric Defrost	6	4.15
WE6E075DDA	Electric Defrost	6	4.15
WE6E089DDA	Electric Defrost	6	4.15
WE6E108DDA	Electric Defrost	6	4.15
WE6E125DDA	Electric Defrost	6	4.15
WE6E137DDA	Electric Defrost	6	4.15
WE6E182DDA	Electric Defrost	6	4.15
WE6E221DDA	Electric Defrost	6	4.15
WE6E278DDA	Electric Defrost	6	4.15
WE4E037DDA	Electric Defrost	4	3.95
WE4E075DDA	Electric Defrost	4	3.98
WE4E107DDA	Electric Defrost	4	4.01
WE4E149DDA	Electric Defrost	4	4.06
WE4E186DDA	Electric Defrost	4	4.09
WE4E234DDA	Electric Defrost	4	4.15

Distributor Nozzle - Air Defrost Models

Model Number	Part Numbers						Number of Circuits
	Nozzle @ Liq. Temp.		TXV [^] @ Liq. Temp.		EEV @ Liq. Temp.		
	50°F	100°F	50°F	100°F	50°F	100°F	

R404A

6 FPI	WE6A041*DA	L, #1/6	L, #1/2	SBFSE-AA-C	SBFSE-AA-C	SER-AA	SER-AA	2
	WE6A070*DA	L, #1/4	L, #3/4	SBFSE-AA-C	SBFSE-A-C	SER-A	SER-A	2
	WE6A084*DA	L, #1/4	L, #3/4	SBFSE-A-C	SBFSE-A-C	SER-A	SER-B	2
	WE6A104*DA	L, #1/3	L, #1	SBFSE-A-C	SBFSE-A-C	SER-A	SER-B	4
	WE6A128*DA	L, #1/2	L, #1-1/2	SBFSE-A-C	SBFSE-B-C	SER-B	SER-B	4
	WE6A141*DA	L, #1/2	L, #1-1/2	SBFSE-A-C	SBFSE-B-C	SER-B	SER-B	4
	WE6A169*DA	L, #3/4	L, #2	SBFSE-A-C	SBFSE-B-C	SER-B	SER-B	4
	WE6A204*DA	L, #3/4	L, #2	SBFSE-B-C	SBFSE-C-C	SER-B	SER-C	4
	WE6A258*DA	L, #3/4	L, #2-1/2	SBFSE-B-C	SBFSE-C-C	SER-B	SER-C	6

R407A/ R448A/ R449A/B¹

6 FPI	WE6A041*DA	L, #1/6	L, #1/2	SBFDE-AAA-C	SBFDE-AA-C	SER-AA	SER-AA	2
	WE6A070*DA	L, #1/4	L, #3/4	SBFDE-AA-C	SBFDE-A-C	SER-A	SER-A	2
	WE6A084*DA	L, #1/3	L, #3/4	SBFDE-AA-C	SBFDE-A-C	SER-A	SER-A	2
	WE6A104*DA	L, #1/2	L, #1	SBFDE-A-C	SBFDE-A-C	SER-A	SER-B	4
	WE6A128*DA	L, #1/2	L, #1-1/2	SBFDE-A-C	SBFDE-A-C	SER-A	SER-B	4
	WE6A141*DA	L, #1/2	L, #1-1/2	SBFDE-A-C	SBFDE-B-C	SER-B	SER-B	4
	WE6A169*DA	L, #3/4	L, #1-1/2	SBFDE-A-C	SBFDE-B-C	SER-B	SER-B	4
	WE6A204*DA	L, #3/4	L, #2	SBFDE-B-C	SBFDE-B-C	SER-B	SER-B	4
	WE6A258*DA	L, #1	L, #2-1/2	SBFDE-B-C	SBFDE-C-C	SER-B	SER-C	6

See notes on page 7.

Low Height Unit Cooler

Distributor Nozzle - Electric Defrost Models

Model Number	Part Numbers						Number of Circuits
	Nozzle @ Liq. Temp.		TXV [^] @ Liq. Temp.		EEV @ Liq. Temp.		
	50°F	100°F	50°F	100°F	50°F	100°F	

R404A

6 FPI	WE6E037DDA	L, #1/4	L, #3/4	SBFSE-AA-ZP	SBFSE-AA-ZP	SER-AA	SER-AA	2
	WE6E045DDA	L, #1/3	L, #3/4	SBFSE-AA-ZP	SBFSE-AA-ZP	SER-AA	SER-A	2
	WE6E075DDA	L, #3/4	L, #1-1/2	SBFSE-A-ZP	SBFSE-A-ZP	SER-A	SER-A	4
	WE6E089DDA	L, #3/4	L, #1-1/2	SBFSE-A-ZP	SBFSE-A-ZP	SER-A	SER-B	4
	WE6E108DDA	L, #1	L, #2	SBFSE-A-ZP	SBFSE-B-ZP	SER-A	SER-B	4
	WE6E125DDA	L, #1	L, #2	SBFSE-A-ZP	SBFSE-B-ZP	SER-A	SER-B	4
	WE6E137DDA	L, #1	L, #2-1/2	SBFSE-A-ZP	SBFSE-B-ZP	SER-B	SER-B	4
	WE6E182DDA	L, #1-1/2	L, #3	SBFSE-B-ZP	SBFSE-C-ZP	SER-B	SER-B	8
WE6E221DDA	L, #2	L, #4	SBFSE-B-ZP	SBFSE-C-ZP	SER-B	SER-C	8	
RE6E278DDA	G, #2	G, #5	SBFSE-C-ZP	SBFSE-C-ZP	SER-C	SER-C	12	
4 FPI	WE4E037DDA	L, #1/4	L, #3/4	SBFSE-AA-ZP	SBFSE-AA-ZP	SER-AA	SER-AA	2
	WE4E075DDA	L, #3/4	L, #1-1/2	SBFSE-A-ZP	SBFSE-A-ZP	SER-A	SER-A	4
	WE4E107DDA	L, #3/4	L, #2	SBFSE-A-ZP	SBFSE-B-ZP	SER-A	SER-B	4
	WE4E149DDA	L, #1-1/2	L, #2-1/2	SBFSE-A-ZP	SBFSE-B-ZP	SER-B	SER-B	8
	WE4E186DDA	L, #2	L, #3	SBFSE-B-ZP	SBFSE-C-ZP	SER-B	SER-C	8
	WE4E234DDA	G, #2	G, #4	SBFSE-C-ZP	SBFSE-C-ZP	SER-B	SER-C	12

R407A/ R448A/ R449A/B[†]

6 FPI	WE6E037DDA	L, #1/4	L, #1/2	SBFDE-AA-ZP	SBFDE-AA-ZP	SER-AA	SER-AA	2
	WE6E045DDA	L, #1/3	L, #3/4	SBFDE-AA-ZP	SBFDE-AA-ZP	SER-AA	SER-AA	2
	WE6E075DDA	L, #3/4	L, #1	SBFDE-A-ZP	SBFDE-A-ZP	SER-A	SER-A	4
	WE6E089DDA	L, #3/4	L, #1-1/2	SBFDE-A-ZP	SBFDE-B-ZP	SER-A	SER-A	4
	WE6E108DDA	L, #3/4	L, #1-1/2	SBFDE-A-ZP	SBFDE-B-ZP	SER-A	SER-B	4
	WE6E125DDA	L, #1	L, #2	SBFDE-A-ZP	SBFDE-B-ZP	SER-A	SER-B	4
	WE6E137DDA	L, #1	L, #2	SBFDE-B-ZP	SBFDE-B-ZP	SER-A	SER-B	4
	WE6E182DDA	L, #1-1/2	L, #2-1/2	SBFDE-B-ZP	SBFDE-C-ZP	SER-B	SER-B	8
WE6E221DDA	L, #1-1/2	L, #3	SBFDE-B-ZP	SBFDE-C-ZP	SER-B	SER-C	8	
RE6E278DDA	G, #2	G, #4	SBFDE-C-ZP	SBFDE-C-ZP	SER-B	SER-C	12	
4 FPI	WE4E037DDA	L, #1/4	L, #1/2	SBFDE-AA-ZP	SBFDE-AA-ZP	SER-AA	SER-AA	2
	WE4E075DDA	L, #3/4	L, #1	SBFDE-A-ZP	SBFDE-A-ZP	SER-A	SER-A	4
	WE4E107DDA	L, #3/4	L, #1-1/2	SBFDE-A-ZP	SBFDE-B-ZP	SER-A	SER-B	4
	WE4E149DDA	L, #1-1/2	L, #2-1/2	SBFDE-B-ZP	SBFDE-B-ZP	SER-B	SER-B	8
	WE4E186DDA	L, #1-1/2	L, #2-1/2	SBFDE-B-ZP	SBFDE-C-ZP	SER-B	SER-B	8
	WE4E234DDA	G, #2	G, #4	SBFDE-C-ZP	SBFDE-C-ZP	SER-B	SER-C	12

Distributor lines are 3/16" diameter and 14" long. Distributor connection size is 1/2" for all Air Defrost models.

Distributor lines are 3/16" diameter and 14" long. Distributor connection size is 1/2" for Electric Defrost models with "L" nozzle and 7/8" for models with "G" nozzle.

* Asterisk represents a variable character based on motor ordered. See page 2 for nomenclature.

– Single feed circuit coils do not get a distributor/nozzle.

[^] TXV selections for Air Defrost models are based on +25°F suction temp., 8°F to 12°F evaporator TD. Contact factory for operating conditions outside of this range.

[^] TXV selections for Electric Defrost models are based on -20°F suction temp., 8°F to 12°F evaporator TD. Contact factory for operating conditions outside of this range.

[†] SBFDE expansion valves are compatible with R407A, R448A and R449A/B. For other refrigerants, follow manufacturers selection guidelines.

If unit is not configured with a factory installed TXV, unit will include shipped-loose nozzles sized for 100°F liquid temperature.

Center Mount

Specifications

Model Number	TXV [†] Type	Refrigerant Connections		No. of Hanger Slot Locations	Dimensions (Inches)				Approx. Weight (Lbs.)	
		Liquid Line ¹	Suction		Length	Width	Height	Figure	Net	Ship

Air Defrost Models

6 FPI	WE6A041D*A	EXT	3/8	5/8	2	32	28-3/8	11-1/4	1	55	190
	WE6A070D*A	EXT	3/8	5/8	3	52	28-3/8	11-1/4	2	75	210
	WE6A084D*A	EXT	3/8	5/8	3	52	28-3/8	11-1/4	2	80	215
	WE6A104D*A	EXT	3/8	5/8	4	72	28-3/8	11-1/4	3	95	230
	WE6A128D*A	EXT	3/8	7/8	4	72	28-3/8	11-1/4	3	105	240
	WE6A141D*A	EXT	3/8	7/8	5	92	28-3/8	11-1/4	4	120	280
	WE6A169D*A	EXT	3/8	7/8	5	92	28-3/8	11-1/4	4	130	290
	WE6A204D*A	EXT	3/8	1-1/8	6	112	28-3/8	11-1/4	5	145	330
WE6A258D*A	EXT	3/8	1-1/8	6	112	28-3/8	13-3/4	6	155	340	

Electric Defrost Models

6 FPI	WE6E037DDA	EXT	3/8	5/8	2	32	28-3/8	11-1/4	1	50	185
	WE6E045DDA	EXT	3/8	5/8	2	32	28-3/8	11-1/4	1	55	190
	WE6E075DDA	EXT	3/8	5/8	3	52	28-3/8	11-1/4	2	75	210
	WE6E089DDA	EXT	3/8	5/8	3	52	28-3/8	11-1/4	2	80	215
	WE6E108DDA	EXT	3/8	7/8	4	72	28-3/8	11-1/4	3	95	230
	WE6E125DDA	EXT	3/8	7/8	4	72	28-3/8	11-1/4	3	105	240
	WE6E137DDA	EXT	3/8	7/8	5	92	28-3/8	11-1/4	4	120	280
	WE6E182DDA	EXT	3/8	7/8	5	92	28-3/8	11-1/4	4	130	290
	WE6E221DDA	EXT	3/8	1-1/8	6	112	28-3/8	11-1/4	5	145	330
WE6E278DDA	EXT	3/8	1-1/8	6	112	28-3/8	13-3/4	6	155	340	
4 FPI	WE4E037DDA	EXT	3/8	5/8	2	32	28-3/8	11-1/4	1	55	190
	WE4E075DDA	EXT	3/8	5/8	3	52	28-3/8	11-1/4	2	80	215
	WE4E107DDA	EXT	3/8	7/8	4	72	28-3/8	11-1/4	3	105	240
	WE4E149DDA	EXT	3/8	7/8	5	92	28-3/8	11-1/4	4	130	290
	WE4E186DDA	EXT	3/8	1-1/8	6	112	28-3/8	11-1/4	5	145	330
WE4E234DDA	EXT	3/8	1-1/8	6	112	28-3/8	13-3/4	6	155	340	

* Asterisk represents a variable character based on voltage ordered. See page 2 for nomenclature.

† Externally equalized.

1 For units with mounted TXV components. See Nozzle/TXV table for distributor connection size when TXV is field installed.



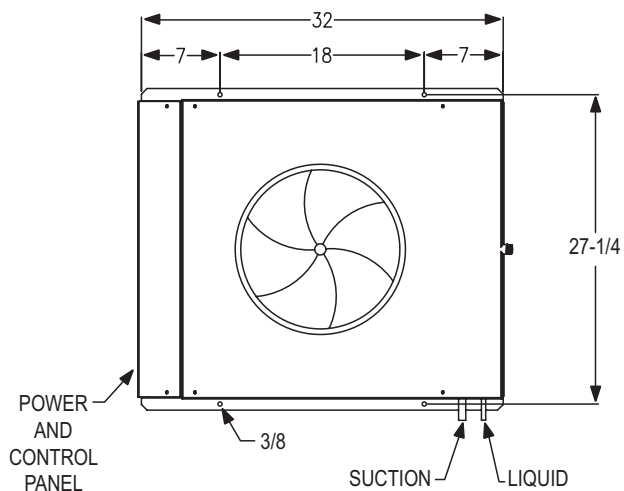
Applications

Low Height Unit Cooler

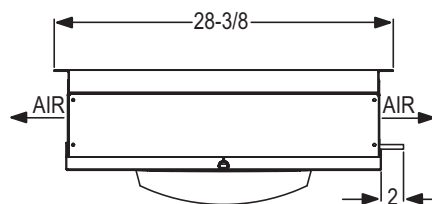
Physical Dimensions

Figure 1 - Single Fan

Bottom View



End View



Notes:

- Measurements noted on the end view drawing are the same for all units.
- All mounting holes are 3/8" diameter.
- Mounting holes on four and five fan units are located 20" on center at each tube sheet.
- All dimensions are in inches.

Side View

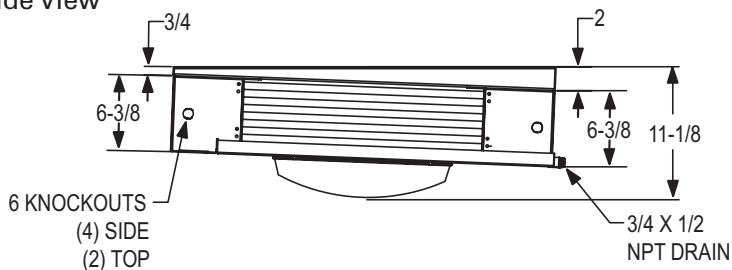
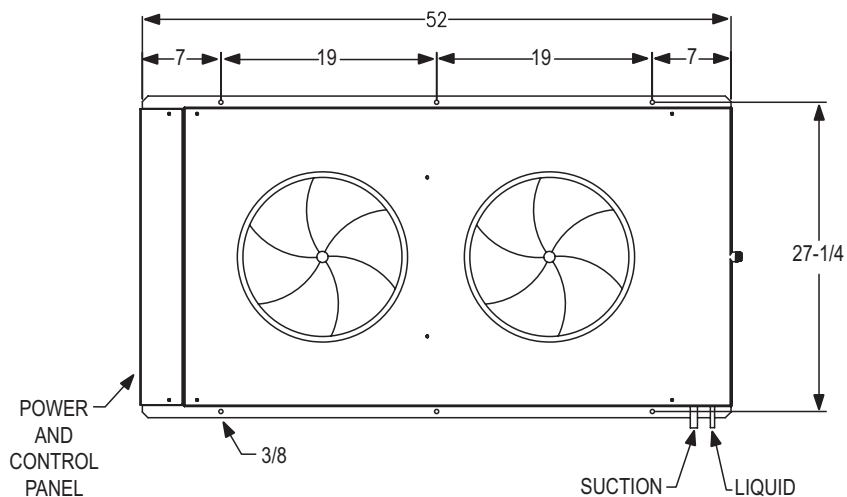
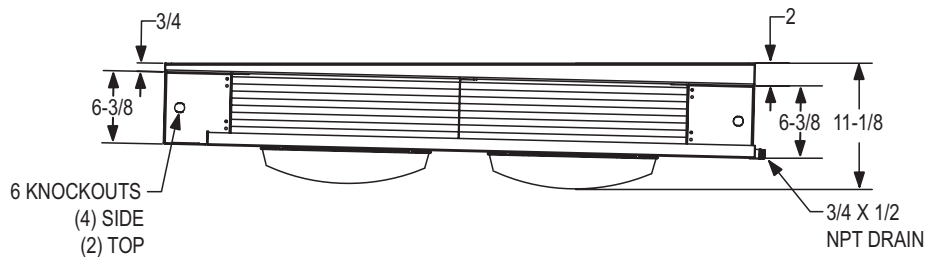


Figure 2 - Two Fan

Bottom View

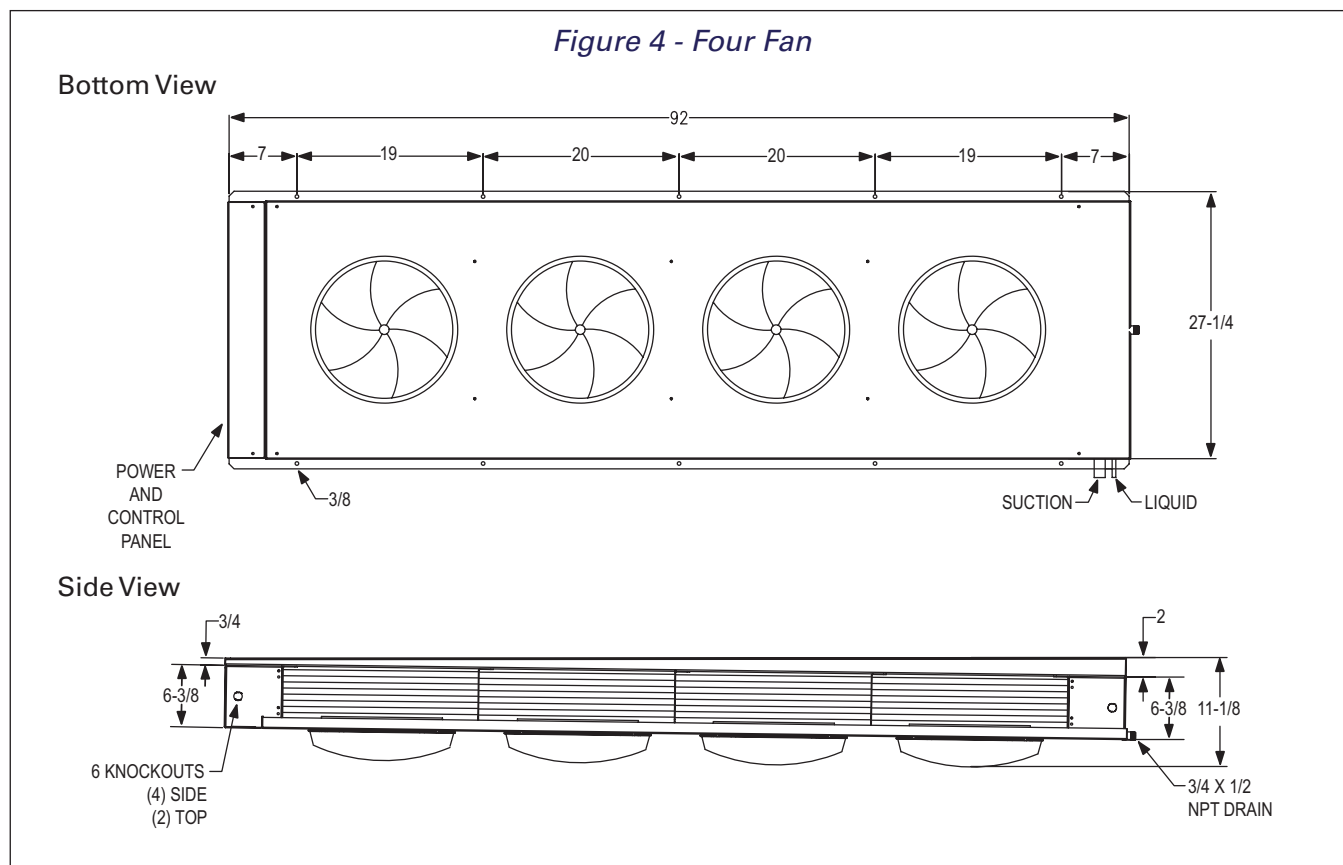
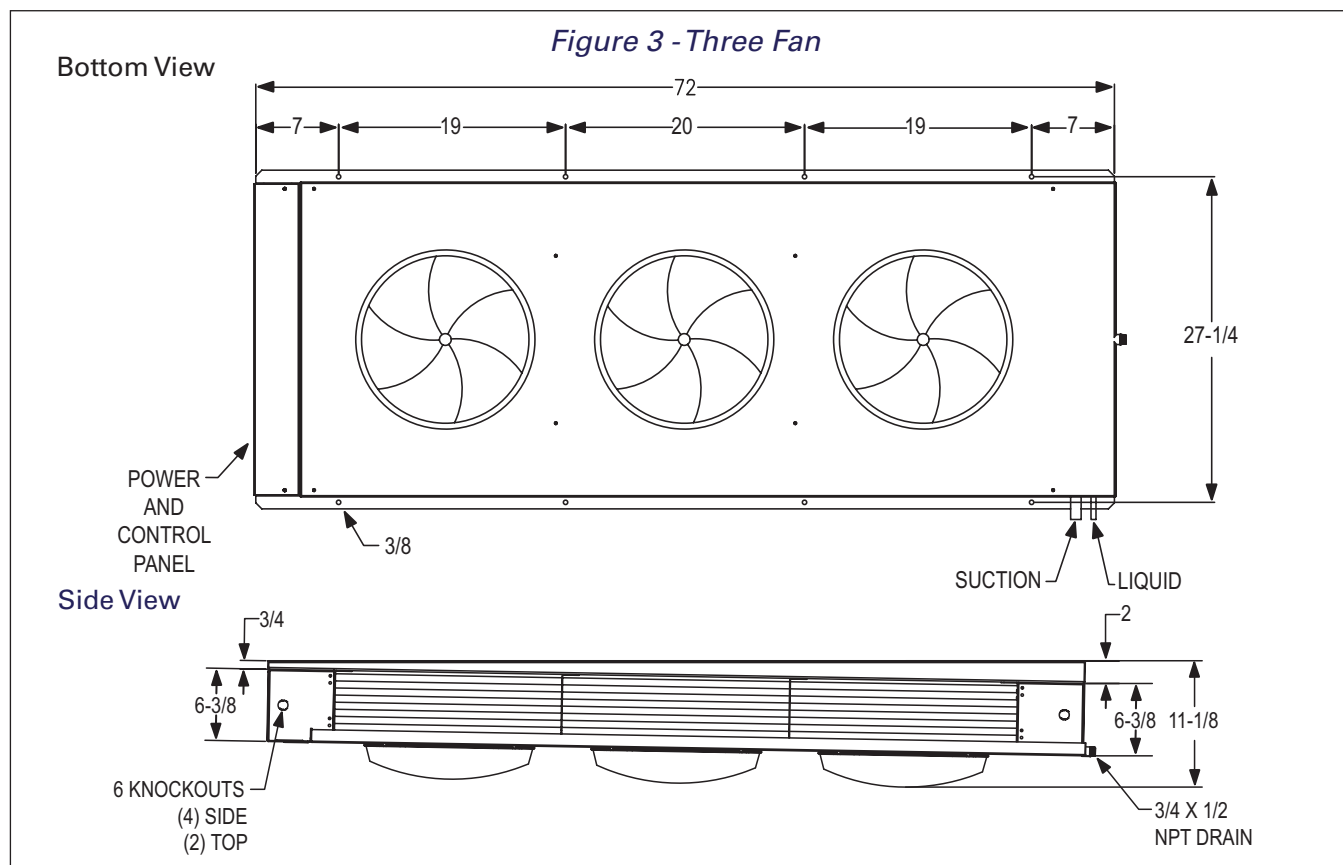


Side View



Center Mount

Physical Dimensions

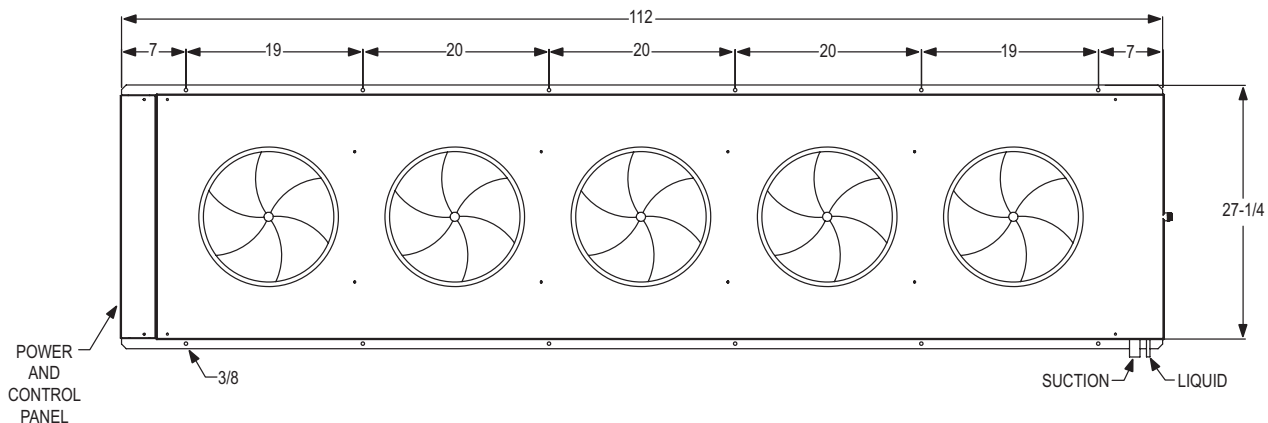


Low Height Unit Cooler

Physical Dimensions

Figure 5 - Five Fan

Bottom View



Side View

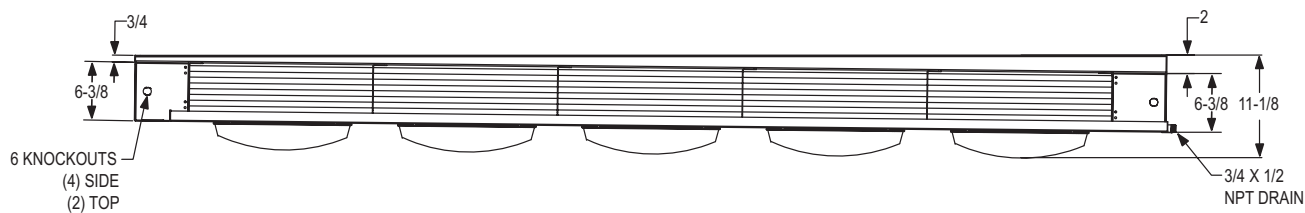
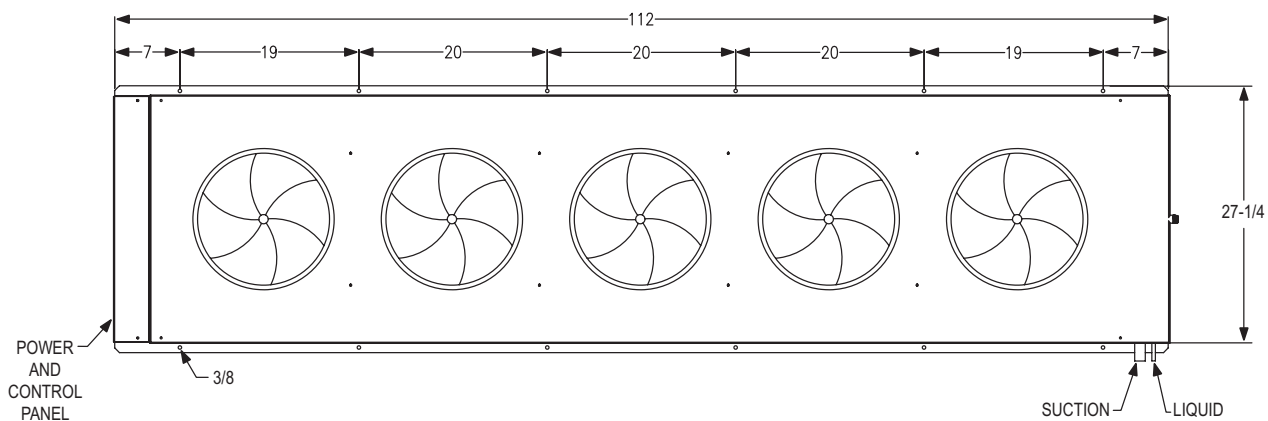
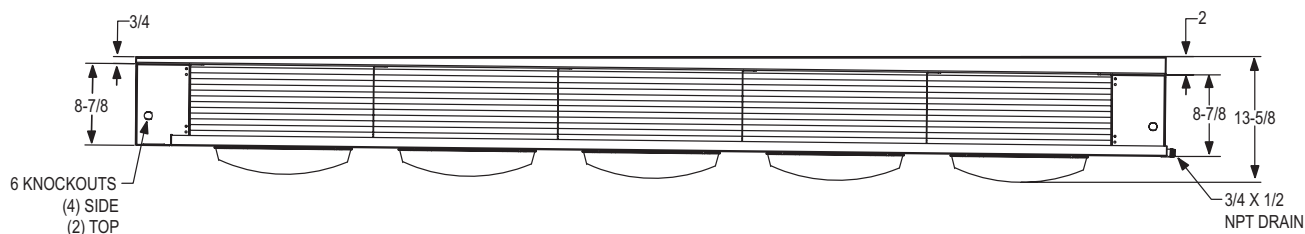


Figure 6 - Five Fan Tall

Bottom View



Side View



Center Mount



Witt's Center Mount Unit Cooler can be used in combination with Next-Gen W-Series Condensing Units to provide complete refrigeration solutions for small to medium walk-ins

Due to continuing product development, specifications are subject to change without notice.



201 Thomas French Drive, Scottsboro, AL 35769 • PHONE (256) 259-7400 • FAX (256) 259-7478 • witt.htpg.com
E-mail or call us for help: parts@htpg.com or 1-855-HTPARTS (1-855-487-2787)