



Supersedes all earlier versions. **Prices effective 1/1/20.**

## LIST PRICES

All products, except surface coils and parts, are shipped F.O.B. point of shipment with full freight allowed on single orders with a net price value of \$10,000 or more, within the continental USA (excluding Alaska and Hawaii). Buyer will bear all additional costs for special routing or handling requests. **See page 52 additional freight instructions.**

	<u>Page</u>
<b>Reach-In Unit Coolers:</b>	
ASLA / ASLE .....	2
Slim-Temp .....	2
Wedge-Temp .....	3
Flex-Temp .....	3
Mullion-Temp .....	3
T-Temp .....	4
Twin-Temp .....	4
Mini-Twin-Temp .....	4
Wall-Temp .....	5
<b>Walk-In Unit Coolers:</b>	
Next-Gen All-Temp Low Profile Evaporators .....	6 thru 18
Center Mount Evaporators .....	19, 20
Low Velocity Center Mount Evaporators .....	21, 22
Center Mount and Low Velocity Center Mount Accessories .....	23
Inter-Flo Medium Profile Evaporators .....	24, 25
Polar-Flo High Profile Warehouse Evaporators .....	26, 27, 28, 29, 30
Evaporator Defrost Controls .....	37, 38
<b>Condensing Units:</b>	
Pricing Examples .....	31
System Accessories (TXV, LLS, T-Stat, Evap. Defrost Control, Heat Exchangers) .....	31
(EcoNet® Command Center, TXV, LLS, T-Stat, Evap. Defrost Control, Heat Exchangers)	
1/2 thru 6 H.P. Next-Gen W-Series Air-Cooled	
Hermetic and Scroll Compressor models .....	32, 33, 34, 35
Next-Gen W-Series Options .....	36
Next-Gen W-Series Electric Defrost Kits .....	37, 38
NEXT-GEN II 3 thru 22 HP Cond. Units - Discus™, Scroll™ and Bitzer .....	39, 40, 41
NEXT-GEN II 3 thru 22 HP Cond. Units - Electric Defrost Kits .....	41
NEXT-GEN II 3 thru 22 HP Cond. Units - Options .....	42
15 thru 100 HP QV-Series Condensing Units™ .....	43, 44, 45, 46, 47, 48
QV-Series Electric Defrost Kits .....	49
1/2 to 6 H.P. Next-Gen WC-Series Water Cooled	
Hermetic and Scroll Compressor Models .....	50, 51
Heat Reclaim Unit Heaters .....	52
Freight Surcharges .....	52
APEX Self Contained Units .....	53
<b>Air Cooled Condensers:</b>	
Quantum Air™ Remote Air Cooled Condensers Features and Options .....	54
Air Cooled Condenser Nomenclature .....	55
Small Condensers and Small Condenser Options .....	56
Quantum Air™ Large Condensers - 1140 RPM 1.5 HP .....	57
Quantum Air™ Large Condensers - 850 RPM 1.5 HP .....	57
Quantum Air™ Large Condensers - 850 RPM 1 HP .....	58
Quantum Air™ Large Condensers - 550 RPM 1/3 HP .....	58
Quantum Air™ Large Condensers - 1200 AND 900 RPM VSEC Motors .....	59
Quantum Air™ Large Condenser Options .....	60

Due to ongoing product development, specification and prices are subject to change without notice.

TELEPHONE (256) 259-7400  
FAX ORDER HOTLINE (256) 259-7478

Call or e-mail us for help with replacement parts at: **1-855-HTPARTS (1-855-487-2787)** or **parts@htpg.com**

Visit us on the Web at <http://witt.htpg.com>

# ASL SPECIAL UNIT COOLERS

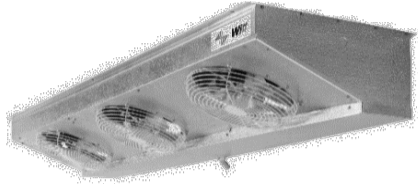
## COOLER APPLICATION - AIR DEFROST

AIR DEFROST MODEL NUMBER	EC MOTORS	PSC MOTORS	SP MOTORS	BAKED EPOXY COATED CORE MODEL NO.	BAKED EPOXY COIL w/ ECM	BAKED EPOXY COIL w/ PSC	BAKED EPOXY COIL w/ SP	DIMENSIONS			APROX. SHIP WT. (LBS.)
	115 or 230V	115V only	115 or 230V		115 or 230V	115V only	115 or 230V	HT (IN)	LT (IN)	DP (IN)	
ASLA 25-48	\$3,731	\$2,759	N/A	ASLA 25-48RP	\$4,991	\$4,140	N/A	9-3/16	46-3/16	19-3/16	83
ASLA 25-61	3,840	3,157	N/A	ASLA 25-61RP	5,066	4,197	N/A	9-3/16	56-3/16	19-3/16	105
ASLA 35-73	4,117	3,218	N/A	ASLA 35-73RP	5,455	4,401	N/A	9-3/16	69-3/16	19-3/16	125
ASLA 45-98	4,945	3,799	N/A	ASLA 45-98RP	6,215	4,941	N/A	9-3/16	92-3/16	19-3/16	151
ASLA 55-122	5,797	4,389	N/A	ASLA 55-122RP	7,074	5,548	N/A	9-3/16	115-3/16	19-3/16	185
ASLA 65-158	6,588	4,924	N/A	ASLA 65-158RP	7,957	5,932	N/A	9-3/16	138-3/16	19-3/16	222

Specify voltage when ordering - add an "A" for 115V and "D" for 230V. See example below.

230V PSC motors are not available for ASLA or ASLE models

Shaded Pole motors are no longer available for ASLA or ASLE models



For normal and low temperature glass display and solid door uprights, walk-ins salad boxes and back bars from 4,600 to 15,800 BTUH.

## FREEZER APPLICATION - ELECTRIC DEFROST

ELECTRIC DEFROST MODEL NUMBER	230V EC MOTORS 230V1 HEATERS	230V/1 SP MOTORS 230V1 HEATERS	DIMENSIONS			APROX. SHIP WT. (LBS.)
			HT (IN)	LT (IN)	DP (IN)	
ASLE 25-46	\$3,991	N/A	9-3/16	46-3/16	19-3/16	83
ASLE 25-58	4,176	N/A	9-3/16	56-3/16	19-3/16	105
ASLE 35-70	4,489	N/A	9-3/16	69-3/16	19-3/16	125
ASLE 45-94	5,385	N/A	9-3/16	92-3/16	19-3/16	151
ASLE 55-117	6,268	N/A	9-3/16	115-3/16	19-3/16	185
ASLE 65-150	7,109	N/A	9-3/16	138-3/16	19-3/16	222

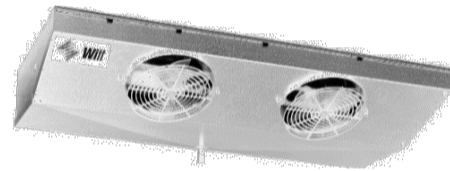
\$358 List adder for adjustable termination/fan delay control in lieu of a fixed controls.

230V PSC motors are not available for ASLA or ASLE models

Shaded Pole motors are no longer available for ASLA or ASLE models

## SLIM TEMP UNIT COOLERS

Space saving design for reach-ins, salad bars, back bars, etc. from 900 to 7,000 BTUH.



### COOLER APPLICATION

MODEL NUMBER	UNCOATED CORE		BAKED EPOXY CORE MODEL NO.	BAKED EPOXY COIL		DIMENSIONS			APROX. SHIP WT. (LBS.)
	115V	230V		115V	230V	HT (IN)	LT (IN)	DP (IN)	
SLA 17-10	\$787	\$822	SLA 17-10RP	\$866	\$910	4-3/4	16-1/2	13-1/2	15
SLA 17-13	1,011	1,088	SLA 17-13RP	1,089	1,166	4-3/4	20-1/2	13-1/2	18
SLA 27-17	1,186	1,273	SLA 27-17RP	1,244	1,330	4-3/4	24	14-1/2	22
SLA 27-23	1,481	1,548	SLA 27-23RP	1,587	1,658	4-3/4	31-1/2	14-1/2	29
SLA 37-30	1,811	1,961	SLA 37-30RP	1,956	2,091	4-3/4	40	14-1/2	37
SLA 47-40	2,467	2,662	SLA 47-40RP	2,630	2,813	4-3/4	53-1/2	14-1/2	45
SLA 57-50	3,190	3,405	SLA 57-50RP	3,384	3,592	6-3/4	53-1/2	14-1/2	61

Specify voltage when ordering - add an "A" for 115V and "D" for 230V.

No EC or PSC motors for SLA models.

### FREEZER APPLICATION - ELECTRIC DEFROST

MODEL NUMBER	SINGLE SPEED EC MOTORS		SHADED POLE MOTORS		DIMENSIONS			APROX. SHIP WT. (LBS.)
	115V	230V	115V	230V	HT (IN)	LT (IN)	DP (IN)	
SLE 15-9	N/A	N/A	\$1,299	\$1,299	4-3/4	16-1/2	13-1/2	16
SLE 15-12	N/A	N/A	1,561	1,561	4-3/4	20-1/2	13-1/2	19
SLE 25-16	N/A	N/A	1,949	1,949	4-3/4	24	14-1/2	23
SLE 25-21	\$3,587	\$3,587	2,202	2,202	6-3/4	24	15-1/2	31
SLE 25-28	4,062	4,062	2,720	2,720	6-3/4	31-1/2	15-1/2	39
SLE 35-36	5,097	5,097	3,062	3,062	6-3/4	38-1/2	15-1/2	48
SLE 45-54	6,929	6,929	4,242	4,242	6-3/4	48-1/4	16-1/2	70
SLE 35-70	N/A	7,443	N/A	5,345	6-3/4	76-1/2	20-1/2	105

Specify voltage when ordering.

\$358 List adder for adjustable termination/fan delay control in lieu of fixed controls on defrost models.

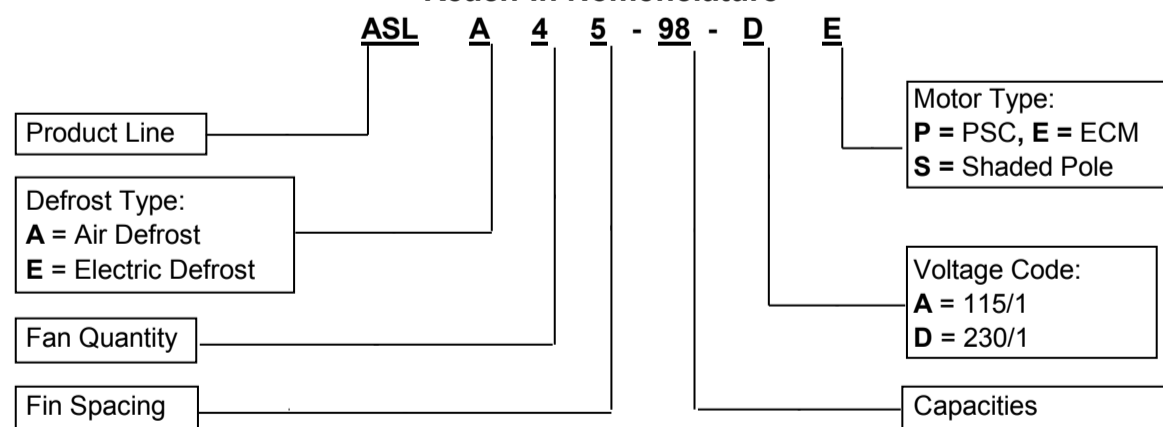
\$51 List adder for 3-prong electrical connector.

ECM = Electronically Commutated Motors

PSC = Permanent Split Capacitor

SP = Shaded Pole

### Reach-In Nomenclature



## WEDGE TEMP - CEILING MOUNTED UNIT COOLERS

Designed for reach-ins, beverage coolers and back bars from 1,200 to 5,500 BTU/HR



### COOLER APPLICATION

MODEL NUMBER	UNCOATED CORE Single speed ECM		UNCOATED CORE SHADED POLE		BAKED EPOXY CORE MODEL NO.	BAKED EPOXY CORE Single speed ECM		BAKED EPOXY CORE SHADED POLE		DIMENSIONS			APROX. SHIP WT. (LBS.)
	115V	230V	115V	230V		115V	230V	115V	230V	HT (IN)	LT (IN)	DP (IN)	
WE17-12	\$1,596	\$1,615	\$948	\$967	WE17-12RP	\$1,657	\$1,709	\$1,016	\$1,067	8-5/16	15-1/4	15-7/8	16
WE17-15	1,607	1,615	970	1,005	WE17-15RP	1,706	1,759	1,058	1,111	8-5/16	15-1/4	15-7/8	19
WE17-18	1,635	1,642	1,002	1,051	WE17-18RP	1,727	1,801	1,084	1,156	8-5/16	17-3/4	15-7/8	22
WE17-25	1,820	1,685	1,172	1,222	WE17-25RP	1,898	1,984	1,244	1,331	8-5/16	19-7/8	16-7/8	29
WE17-35	2,071	1,871	1,445	1,615	WE17-35RP	2,362	2,463	1,713	1,816	9-1/2	22-7/8	17-7/8	36
WE17-45	2,439	2,240	1,817	1,934	WE17-45RP	2,852	3,041	2,207	2,396	9-5/8	26-3/4	20-1/2	57
WE18-55	3,104	2,556	2,442	2,564	WE18-55RP	3,447	3,569	2,786	2,908	9-5/8	26-3/4	20-1/2	65

Specify voltage when ordering - add an "A" for 115V and "D" for 230V. See Page 2 for nomenclature.

\$51 List adder for 3-prong electrical connector.

## FLEX TEMP LIMITED SPACE UNIT COOLERS

Designed for limited space, reach-ins, back bars, and beverage coolers, 600 to 3,100 BTU/HR.



### COOLER APPLICATION

MODEL NUMBER	UNCOATED CORE Single speed ECM		UNCOATED CORE SHADED POLE		BAKED EPOXY CORE MODEL NO.	BAKED EPOXY CORE Single speed ECM		BAKED EPOXY CORE SHADED POLE		DIMENSIONS			APROX. SHIP WT. (LBS.)
	115V	230V	115V	230V		115V	230V	115V	230V	HT (IN)	LT (IN)	DP (IN)	
FT18-6	N/A	N/A	\$712	\$737	FT18-6RP	N/A	N/A	\$745	\$762	6-3/4	12-1/2	9	9
FT18-8	N/A	N/A	772	797	FT18-8RP	N/A	N/A	802	821	6-3/4	12-1/2	9	9
FT28-12	N/A	N/A	879	957	FT28-12RP	N/A	N/A	974	1,069	7-3/4	18	9	14
FT18-17	\$1,642	\$1,730	1,002	1,088	FT18-17RP	\$1,744	\$1,831	1,114	1,208	9-5/8	14	10-1/2	15
FT18-23	2,272	2,391	1,611	1,730	FT18-23RP	2,407	2,525	1,724	1,819	11-5/8	16-3/4	13	20
FT18-31	2,511	2,648	1,848	1,987	FT18-31RP	2,659	2,809	1,998	2,142	11-5/8	16-3/4	13	23

Specify voltage when ordering - add an "A" for 115V and "D" for 230V. See Page 2 for nomenclature.

Unit is supplied with a three prong electrical connector.

## MULLION TEMP PANEL UNIT COOLERS

Designed for mullion, back wall, and side wall mounting from 1,300 to 2,300 BTU/HR.



### COOLER APPLICATION

MODEL NUMBER MUF/MDF	UNCOATED CORE		BAKED EPOXY CORE MODEL NO.	BAKED EPOXY CORE		DIMENSIONS			APROX. SHIP WT. (LBS.)
	115V	230V		115V	230V	HT (IN)	LT (IN)	DP (IN)	
27-13	\$1,327	\$1,396	27-13RP	\$1,350	\$1,445	17-1/8	15-5/8	5-5/8	20
27-17	1,585	1,635	27-17RP	1,619	1,714	17-1/8	15-5/8	5-5/8	22
37-23	1,895	2,027	37-23RP	1,927	2,069	17-1/8	22	5-5/8	30

Specify voltage when ordering - add an "A" for 115V and "D" for 230V. See Page 2 for nomenclature.

Unit is supplied with a three prong electrical connector.

## T-TEMP UNIT COOLERS

Designed for reach-ins, beverage coolers and back bars from 800 to 1,700 BTU/HR



MODEL NUMBER	UNCOATED CORE		BAKED EPOXY CORE	BAKED EPOXY CORE		DIMENSIONS			APROX. SHIP WT. (LBS.)
	115V	230V	MODEL NO.	115V	230V	HT (IN)	LT (IN)	DP (IN)	
TT18-8	\$666	\$718	TT18-8RP	\$757	\$809	7-1/4	13-3/4	7-1/2	10
TT28-13	914	976	TT28-13RP	972	1,043	7-1/4	19-1/4	7-1/2	15
TT28-17	1,018	1,088	TT28-17RP	1,086	1,167	7-1/4	19-1/4	8-1/2	16

Specify voltage when ordering - add an "A" for 115V and "D" for 230V. See Page 2 for nomenclature.

## TWIN-TEMP TWO WAY CEILING UNIT COOLERS

Designed for reach-ins, beverage coolers and back bars from 900 to 12,000 BTU/HR.

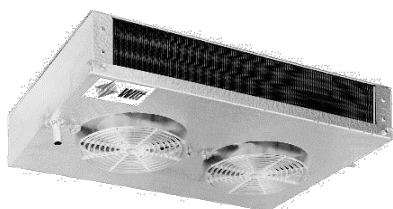


MODEL NUMBER	UNCOATED CORE Single speed ECM		UNCOATED CORE SHADED POLE		BAKED EPOXY CORE	BAKED EPOXY CORE Single speed ECM		BAKED EPOXY CORE SHADED POLE		DIMENSIONS			APROX. SHIP WT. (LBS.)
	115V	230V	115V	230V	MODEL NO.	115V	230V	115V	230V	HT (IN)	LT (IN)	DP (IN)	
TW17-9	\$1,429	\$1,480	\$781	\$832	TW17-9RP	\$1,557	\$1,607	\$916	\$966	7-5/8	19	16-1/2	17
TW17-12	1,658	1,480	1,011	1,085	TW17-12RP	1,740	1,820	1,098	1,178	7-5/8	19	16-1/2	19
TW17-18	1,790	1,733	1,161	1,244	TW17-18RP	2,003	2,081	1,368	1,447	9-1/8	19	16-1/2	23
TW17-25	2,051	1,874	1,422	1,511	TW17-25RP	2,334	2,428	1,696	1,790	9-5/8	21	18-1/2	26
TW17-35	2,472	2,140	1,845	1,947	TW17-35RP	2,790	2,897	2,163	2,268	11-1/4	11	18-1/2	28
TW17-45	2,984	2,576	2,347	2,517	TW17-45RP	3,365	3,533	2,724	2,891	10	32	21-1/2	44
TW17-55	3,576	3,153	2,956	3,101	TW17-55RP	4,005	4,155	3,371	3,520	12	32	21-1/2	50
TW18-65	4,208	3,721	3,546	3,546	TW18-65RP	4,457	4,457	3,796	3,796	12	32	21-1/2	55
TW17-75	4,047	4,047	3,667	3,667	TW17-75RP	N/A	N/A	3,926	3,926	11	36-1/2	36	109
TW18-85	N/A	N/A	4,261	4,261	TW18-85RP	N/A	N/A	4,556	4,556	11	36-1/2	36	115
TW17-105	N/A	N/A	4,878	4,878	TW17-105RP	N/A	N/A	5,219	5,219	13	36-1/2	36	121
TW18-120	N/A	N/A	5,438	5,438	TW18-120RP	N/A	N/A	5,599	5,823	13	36-1/2	36	128

Specify voltage when ordering - add an "A" for 115V and "D" for 230V. See Page 2 for nomenclature.

ECM = Electronically Commutated Motors

## MINI TWIN-TEMP TWO WAY UNIT COOLER ONLY 3-1/4" HIGH



MODEL NUMBER	UNCOATED CORE SHADED POLE		BAKED EPOXY CORE	BAKED EPOXY CORE SHADED POLE		DIMENSIONS			APROX. SHIP WT. (LBS.)
	115V	230V	MODEL NO.	115V	230V	HT (IN)	LT (IN)	DP (IN)	
MTW18-8	\$779	\$779	MTW18-8RP	\$924	\$924	3-1/4	14-1/4	13	14
MTW28-13	1,026	1,026	MTW28-13RP	1,112	1,112	3-1/4	19-1/4	13	15
MTW28-18	1,169	1,169	MTW28-18RP	1,373	1,373	3-1/4	19-1/4	13	18
MTW28-21	1,310	1,309	MTW28-21RP	1,405	1,405	3-1/4	19-1/4	13	20
MTW38-27	1,458	1,459	MTW38-27RP	1,682	1,682	3-1/4	28-1/2	13	23

Specify voltage when ordering - add an "A" for 115V and "D" for 230V. See Page 2 for nomenclature.

# WALL-TEMP PANEL UNIT COOLERS

Designed for mullion back wall and side wall mounting.  
From 600 to 4,500 BTU/HR.



## COOLER APPLICATION

MODEL NUMBER	UNCOATED CORE ECM	UNCOATED CORE SHADED POLE	BAKED EPOXY MODEL NO.	BAKED EPOXY CORE ECM	BAKED EPOXY CORE SHADED POLE	DRAIN PAN*	DIMENSIONS			APPROX. SHIP WT. (LBS.)
	115V/230V/1	115V/230V/1		115V/230V/1	115V/230V/1		HT (IN)	WD (IN)	DP (IN)	
	WA17-6	\$1,913		\$1,219	WA17-6RP		\$2,006	\$1,314	\$165	
WA17-9	2,244	1,550	WA17-9RP	2,338	1,642	165	20-7/8	12	4-3/8	14
WA17-12	2,789	2,022	WA17-12RP	2,882	2,187	165	22-7/8	18	4-3/4	20
WA17-18	2,884	2,182	WA17-18RP	2,976	2,282	165	22-7/8	18	4-3/4	24
WA17-25	2,976	2,285	WA17-25RP	3,076	2,381	194	29	18	8-1/2	28
WA17-35	3,180	2,519	WA17-35RP	3,280	2,584	194	29	18	8-1/2	29
WA17-45	N/A	2,857	WA17-45RP	N/A	2,922	194	32-1/8	18	10-1/2	40

**Specify voltage when ordering - add an "A" for 115V and "D" for 230V. See Page 2 for nomenclature.**

\$51 List adder for 3-prong electrical connector. \*Drain Pan is optional. ECM = Electronically Commutated Motors

# NEXT-GEN ALL-TEMP LOW PROFILE UNIT COOLERS



**Nomenclature:**

CONFIGURABLE BASE MODEL							
W	L	6	E	042	D	E	A
Brand	Connections <sup>1</sup>	Fins Per Inch	Defrost Type	BTUH in Hundreds	Unit Voltage	Motor Type	Revision
W - Witt	L - Standard	4 - FPI	A - Air		A - 115/1/60	D - Dual Speed EC	
	U - Reverse	6 - FPI	E - Electric		D - 208-230/1/60	E - Single Speed EC	
			H - Hot Gas - 3-Pipe G - Hot Gas - Reverse Cycle		E - 208-230/3/60 F - 460/1/60	P - PSC	

PRE-CONFIGURATION CODES <sup>2</sup>	
A	L
Refrigerant	Pre-Assembly Code
Blank - No Factory Installed Options	Blank - No Factory Installed Options
A - R404A	E - EcoNet Control Package <sup>4</sup>
R - EcoNet Approved Refrigerants <sup>3</sup>	L - Mounted TXV, LLSV & Mechanical Thermostat <sup>5</sup>
S - R407A, R448A, R449A/B	

**Note(s):**

1. Refrigerant and electrical connection locations have been changed for the Next-Gen All-Temp design. Standard connections "L" are now opposite of the legacy All-Temp models. Mirror connections "U" are the same end as legacy All-Temp models and are available only as built-to-order base units with no installed options.
2. Pre-Configuration Codes are used to show common Factory Mounted options. Pre-Configuration Codes are not available for every model. For specific model availability, see the respective Pre-Configuration pricing tables.
3. EcoNet approved refrigerants are: R404A, R407A, R407C, R448A, R449A/B, R450A, R507A, R513A.
4. EcoNet Control Package includes: EEV; suction pressure transducer; suction, entering air coil temp. thermistors; local on-board two-row LCD display and push-button adjustments. (Controller replaces TXV, liquid line solenoid valve, room thermostat, defrost termination and fan delay, and time clock.)
5. Models with Pre-configured Mechanical Components (TXV, LLSV & Thermostat) are rated for +25°FSS/10°FTD (Air Defrost) & -20°FSS/10°FTD (Electric Defrost).
6. CO<sub>2</sub> & Glycol Next-Gen All-Temp Unit Coolers available. If required, please contact factory.

**STANDARD FEATURES**

- Textured aluminum construction
- All units are provided with sweat refrigerant connections
- All units suitable for use with R404A, R407A, R407C, R407F, R448A, R449A/B. Can be configured for use with CO<sub>2</sub> DX or Glycol
- U. L. approved black plastic fan guards and deep draw venturi provide optimal air flow
- Flush ceiling mount with slotted hangers and hinged access end panels
- Face mounted heaters and fixed defrost termination, fan delay and heater safety controls
- Single or dual voltage EC motors. Optional Dual speed available. Dual Speed EC motors are compliant with California Title 24 regulations.

**OPTIONAL FEATURES**

- Coated aluminum fins
- EcoNet® Enabled Unit Cooler controller
- EcoNet® Command Center
- Coated housing
- Adjustable termination/fan delay control
- Insulated drain pan



**ORDERING INFORMATION**

1. Model number
2. Motor Type
3. Motor electrical (voltage/phase/frequency)
4. Heater electrical (voltage/phase/frequency)
5. Units with mounted components require the following information: refrigerant type, evaporator temperature and T.D.

**NEXT-GEN ALL-TEMP • AIR DEFROST - EC MOTORS - CONFIGURABLE BASE MODELS**

Number of Fans	Dual Speed Motors <sup>1</sup> - 6 FPI				Single Speed EC Motors - 6 FPI				Unit Cooler Approx. Ship Wt. (LBS)
	115/1/60		208-230/1/60		115/1/60		208-230/1/60		
	Model Number	List Price (\$US)	Model Number	List Price (\$US)	Model Number	List Price (\$US)	Model Number	List Price (\$US)	
1	WL6A041ADA	\$1,896	WL6A041DDA	\$1,896	WL6A041AEA	\$1,896	WL6A041DEA	\$1,896	41
	WL6A052ADA	1,947	WL6A052DDA	1,947	WL6A052AEA	1,947	WL6A052DEA	1,947	44
	WL6A066ADA	2,259	WL6A066DDA	2,259	WL6A066AEA	2,259	WL6A066DEA	2,259	47
2	WL6A073ADA	2,952	WL6A073DDA	2,952	WL6A073AEA	2,952	WL6A073DEA	2,952	52
	WL6A094ADA	3,344	WL6A094DDA	3,344	WL6A094AEA	3,344	WL6A094DEA	3,344	55
	WL6A117ADA	3,513	WL6A117DDA	3,513	WL6A117AEA	3,513	WL6A117DEA	3,513	58
	WL6A130ADA	3,751	WL6A130DDA	3,751	WL6A130AEA	3,751	WL6A130DEA	3,751	62
3	WL6A141ADA	4,539	WL6A141DDA	4,539	WL6A141AEA	4,539	WL6A141DEA	4,539	72
	WL6A161ADA	5,040	WL6A161DDA	5,040	WL6A161AEA	5,040	WL6A161DEA	5,040	78
	WL6A181ADA	5,493	WL6A181DDA	5,493	WL6A181AEA	5,493	WL6A181DEA	5,493	85
4	WL6A195ADA	5,917	WL6A195DDA	5,917	WL6A195AEA	5,917	WL6A195DEA	5,917	115
	WL6A235ADA	7,176	WL6A235DDA	7,176	WL6A235AEA	7,176	WL6A235DEA	7,176	124
	WL6A260ADA	7,820	WL6A260DDA	7,820	WL6A260AEA	7,820	WL6A260DEA	7,820	147
5	WL6A295ADA	8,969	WL6A295DDA	8,969	WL6A295AEA	8,969	WL6A295DEA	8,969	218
6	WL6A330ADA	9,626	WL6A330DDA	9,626	WL6A330AEA	9,626	WL6A330DEA	9,626	257
	WL6A390ADA	10,808	WL6A390DDA	10,808	WL6A390AEA	10,808	WL6A390DEA	10,808	262

**Notes**

1. EC motors are rated for 50/60Hz operations. Dual speed EC motors are compliant with California Title 24 regulations. Dual speed motor operation employs a relay to control motor speed. LLS voltage must match the voltage applied to the motor.

**NEXT-GEN ALL-TEMP • AIR DEFROST MODEL OPTIONS**

Number of Fans	Factory Mounted Options <sup>1</sup> - List Price Adder (\$USD)								
	TXV	EEV	EcoNet Controller	KE2 Evaporator Defrost Control	LLSV	Mechanical Thermostat	Electronic Thermostat	Adjustable Termination Switch/Fan Delay	Insulated Drain Pan
1	\$423	\$1,509	\$1,941	\$4,245	\$340	\$346	\$433	\$358	\$610
2	423	1,509	1,941	4,245	340	346	433	358	771
3	423	1,509	1,941	4,245	340	346	433	358	935
4	423	1,509	1,941	4,245	340	346	433	358	1,075
5	423	1,509	1,941	4,245	394	346	433	358	1,227
6	744	1,509	1,941	4,245	394	346	433	358	1,395

**Notes**

1. Shipped-Loose Accessory Pricing is found on Page 31.

2. Alternative Housing, Coil Coating & Housing Coating options are available. Contact Application Engineering for coated housing or alternate coil coating. ElectroFin, Bronz-Glow and Heresite are available coating options.

**NEXT-GEN ALL-TEMP • AIR DEFROST - PSC MOTORS - CONFIGURABLE BASE MODELS**

Number of Fans	Single Speed PSC Motors - 6 FPI						Unit Cooler Approx. Ship Wt (LBS)
	115/1/60		208-230/1/60		460/1/60		
	Model Number	List Price (\$US)	Model Number	List Price (\$US)	Model Number	List Price (\$US)	
1	WL6A041APA	\$1,500	WL6A041DPA	\$1,558	WL6A041FPA	\$1,745	41
	WL6A052APA	1,556	WL6A052DPA	1,579	WL6A052FPA	1,774	44
	WL6A066APA	1,868	WL6A066DPA	2,006	WL6A066FPA	2,202	47
2	WL6A073APA	2,146	WL6A073DPA	2,315	WL6A073FPA	2,713	52
	WL6A094APA	2,537	WL6A094DPA	2,577	WL6A094FPA	2,979	55
	WL6A117APA	2,760	WL6A117DPA	2,797	WL6A117FPA	3,167	58
	WL6A130APA	3,023	WL6A130DPA	3,068	WL6A130FPA	3,452	62
3	WL6A141APA	3,371	WL6A141DPA	3,418	WL6A141FPA	3,995	72
	WL6A161APA	3,842	WL6A161DPA	3,906	WL6A161FPA	4,495	78
	WL6A181APA	4,319	WL6A181DPA	4,382	WL6A181FPA	4,965	85
4	WL6A195APA	4,662	WL6A195DPA	4,724	WL6A195FPA	5,344	115
	WL6A235APA	5,430	WL6A235DPA	5,861	WL6A235FPA	6,727	124
	WL6A260APA	5,694	WL6A260DPA	6,134	WL6A260FPA	6,864	147
5	WL6A295APA	6,776	WL6A295DPA	7,321	WL6A295FPA	8,400	218
6	WL6A330APA	7,174	WL6A330DPA	7,748	WL6A330FPA	8,961	257
	WL6A390APA	8,364	WL6A390DPA	8,888	WL6A390FPA	10,099	262

**NEXT-GEN ALL-TEMP • AIR DEFROST MODEL OPTIONS**

Number of Fans	Factory Mounted Options <sup>1</sup> - List Price Adder (\$USD)								
	TXV	EEV	EcoNet Controller	KE2 Evaporator Defrost Control	LLSV	Mechanical Thermostat	Electronic Thermostat	Adjustable Termination Switch/Fan Delay	Insulated Drain Pan
1	\$423	\$1,509	\$1,941	\$4,245	\$340	\$346	\$433	\$358	\$610
2	423	1509	1941	4245	340	346	433	358	771
3	423	1509	1941	4245	340	346	433	358	935
4	423	1509	1941	4245	340	346	433	358	1075
5	423	1509	1941	4245	394	346	433	358	1227
6	744	1509	1941	4245	394	346	433	358	1395

Notes

1. Shipped-Loose Accessory Pricing is found on Page 31.

2. Alternative Housing, Coil Coating & Housing Coating options are available. Contact Application Engineering for coated housing or alternate coil coating. ElectroFin, Bronz-Glow and Heresite are available coating options.



## NEXT-GEN ALL-TEMP • AIR DEFROST - ECONET PRE-CONFIGURED MODELS

EcoNet Control package includes: EcoNet Control Board; EEV; Suction Pressure Transducer; Suction, Entering Air and Coil Temp. (Controller replaces TXV, liquid line solenoid valve, room thermostat, defrost termination and fan delay, and time clock.)

Number of Fans	Dual Speed EC Motors		Single Speed PSC Motors	
	115/1/60		115/1/60	
	Model Number	List Price (\$US)	Model Number	List Price (\$US)
1	WL6A041ADARE	\$3,837	WL6A041APARE	\$3,441
	WL6A052ADARE	3,888	WL6A052APARE	3,497
	WL6A066ADARE	4,200	WL6A066APARE	3,809
2	WL6A073ADARE	4,893	WL6A073APARE	4,087
	WL6A094ADARE	5,285	WL6A094APARE	4,478
	WL6A117ADARE	5,454	WL6A117APARE	4,701
	WL6A130ADARE	5,692	WL6A130APARE	4,964
3	WL6A141ADARE	6,480	WL6A141APARE	5,312
	WL6A161ADARE	6,981	WL6A161APARE	5,783
	WL6A181ADARE	7,434	WL6A181APARE	6,260
4	WL6A195ADARE	7,858	WL6A195APARE	6,603
	WL6A235ADARE	9,117	WL6A235APARE	7,371
	WL6A260ADARE	9,761	WL6A260APARE	7,635
5	WL6A295ADARE	10,910	WL6A295APARE	8,717
6	WL6A330ADARE	11,567	WL6A330APARE	9,115
	WL6A390ADARE	12,749	WL6A390APARE	10,305

## NEXT-GEN ALL-TEMP • AIR DEFROST - MOUNTED COMPONENTS (R404A) PRE-CONFIGURED MODELS

Mounted Components (R404A) Pre-configured Units include: Factory Mounted TXV, LLSV and Mechanical Thermostat. Equipment is rated for operation at +25°FSS/10°FDT for R404A.

Number of Fans	Dual Speed EC Motors		Single Speed PSC Motors	
	115/1/60		115/1/60	
	Model Number	List Price (\$US)	Model Number	List Price (\$US)
1	WL6A041ADAAL	\$3,005	WL6A041APAAL	\$2,609
	WL6A052ADAAL	3,056	WL6A052APAAL	2,665
	WL6A066ADAAL	3,368	WL6A066APAAL	2,977
2	WL6A073ADAAL	4,061	WL6A073APAAL	3,255
	WL6A094ADAAL	4,453	WL6A094APAAL	3,646
	WL6A117ADAAL	4,622	WL6A117APAAL	3,869
	WL6A130ADAAL	4,860	WL6A130APAAL	4,132
3	WL6A141ADAAL	5,648	WL6A141APAAL	4,480
	WL6A161ADAAL	6,149	WL6A161APAAL	4,951
	WL6A181ADAAL	6,602	WL6A181APAAL	5,428
4	WL6A195ADAAL	7,026	WL6A195APAAL	5,771
	WL6A235ADAAL	8,285	WL6A235APAAL	6,539
	WL6A260ADAAL	8,929	WL6A260APAAL	6,803
5	WL6A295ADAAL	10,132	WL6A295APAAL	7,939
6	WL6A330ADAAL	11,110	WL6A330APAAL	8,658
	WL6A390ADAAL	12,292	WL6A390APAAL	9,848

## NEXT-GEN ALL-TEMP • AIR DEFROST - MOUNTED COMPONENTS (HIGH GLIDE) PRE-CONFIGURED MODELS

Mounted Components (High Glide) Pre-configured Units include: Factory Mounted TXV, LLSV and Mechanical Thermostat. Equipment is rated for operation at +25°FSS/10°FDT for R407A, R448A, R449A or R449B.

Number of Fans	Dual Speed EC Motors		Single Speed PSC Motors	
	115/1/60		115/1/60	
	Model Number	List Price (\$US)	Model Number	List Price (\$US)
1	WL6A041ADASL	\$3,005	WL6A041APASL	\$2,609
	WL6A052ADASL	3,056	WL6A052APASL	2,665
	WL6A066ADASL	3,368	WL6A066APASL	2,977
2	WL6A073ADASL	4,061	WL6A073APASL	3,255
	WL6A094ADASL	4,453	WL6A094APASL	3,646
	WL6A117ADASL	4,622	WL6A117APASL	3,869
	WL6A130ADASL	4,860	WL6A130APASL	4,132
3	WL6A141ADASL	5,648	WL6A141APASL	4,480
	WL6A161ADASL	6,149	WL6A161APASL	4,951
	WL6A181ADASL	6,602	WL6A181APASL	5,428
4	WL6A195ADASL	7,026	WL6A195APASL	5,771
	WL6A235ADASL	8,285	WL6A235APASL	6,539
	WL6A260ADASL	8,929	WL6A260APASL	6,803
5	WL6A295ADASL	10,132	WL6A295APASL	7,939
6	WL6A330ADASL	11,110	WL6A330APASL	8,658
	WL6A390ADASL	12,292	WL6A390APASL	9,848

**NEXT-GEN ALL-TEMP • ELECTRIC DEFROST - EC MOTORS - CONFIGURABLE BASE MODELS**

Number of Fans	Dual Speed Motors				Single Speed EC Motors				Unit Cooler Approx. Ship Wt. (LBS)
	208-230/1/60				208-230/1/60				
	6 FPI		4 FPI		6 FPI		4 FPI		
Model Number	List Price (\$US)	Model Number	List Price (\$US)	Model Number	List Price (\$US)	Model Number	List Price (\$US)		
1	WL6E035DDA	\$2,636	WL4E027DDA	\$2,531	WL6E035DEA	\$2,636	WL4E027DEA	\$2,531	41
	WL6E042DDA	2,932	WL4E032DDA	2,815	WL6E042DEA	2,932	WL4E032DEA	2,815	44
	WL6E049DDA	3,227	WL4E038DDA	3,098	WL6E049DEA	3,227	WL4E038DEA	3,098	47
2	WL6E066DDA	4,066	WL4E051DDA	3,903	WL6E066DEA	4,066	WL4E051DEA	3,903	52
	WL6E077DDA	4,278	WL4E064DDA	4,107	WL6E077DEA	4,278	WL4E064DEA	4,107	55
	WL6E090DDA	4,403	WL4E080DDA	4,227	WL6E090DEA	4,403	WL4E080DEA	4,227	58
	WL6E105DDA	5,158			WL6E105DEA	5,158			62
3	WL6E121DDA	5,769	WL4E094DDA	5,538	WL6E121DEA	5,769	WL4E094DEA	5,538	78
	WL6E142DDA	6,582	WL4E110DDA	6,319	WL6E142DEA	6,582	WL4E110DEA	6,319	85
4	WL6E162DDA	7,719	WL4E125DDA	7,410	WL6E162DEA	7,719	WL4E125DEA	7,410	124
	WL6E182DDA	8,518	WL4E141DDA	8,177	WL6E182DEA	8,518	WL4E141DEA	8,177	147
5	WL6E200DDA	9,580	WL4E155DDA	9,197	WL6E200DEA	9,580	WL4E155DEA	9,197	195
6	WL6E244DDA	11,238	WL4E195DDA	10,788	WL6E244DEA	11,238	WL4E195DEA	10,788	238
	WL6E281DDA	12,443	WL4E230DDA	11,945	WL6E281DEA	12,443	WL4E230DEA	11,945	238

**Notes**

- EC motors are rated for 50/60Hz operations. Dual speed EC motors are compliant with California Title 24 regulations. Dual speed motor operation employs a relay to control motor speed. LLS voltage must match the voltage applied to the motor.
- Reverse connections available at No Charge.
- Five (5) and six (6) fan electric defrost models are also available wired for 208-230/3/60.

**NEXT-GEN ALL-TEMP • ELECTRIC DEFROST MODEL OPTIONS**

Number of Fans	Factory Mounted Options <sup>2</sup> - List Price Adder (\$USD)								
	TXV	EEV	EcoNet Controller	KE2 Evaporator Defrost Control	LLSV	Mechanical Thermostat	Electronic Thermostat	Adjustable Termination Switch/Fan Delay	Insulated Drain Pan
1	\$423	\$1,509	\$1,941	\$4,245	\$340	\$346	\$433	\$358	\$610
2	423	1,509	1,941	4,245	340	346	433	358	771
3	423	1,509	1,941	4,245	340	346	433	358	935
4	423	1,509	1,941	4,245	340	346	433	358	1,075
5	423	1,509	1,941	4,245	394	346	433	358	1,227
6	744	1,509	1,941	4,245	394	346	433	358	1,395

**Notes**

- Shipped-Loose Accessory Pricing is found on Page 31.
- Alternative Housing, Coil Coating & Housing Coating options are available. Contact Application Engineering for coated housing or alternate coil coating. ElectroFin, Bronz-Glow and Heresite are available coating options.

**NEXT-GEN ALL-TEMP • ELECTRIC DEFROST - PSC MOTORS - CONFIGURABLE BASE MODELS**

Number of Fans	Single Speed PSC Motors								Unit Cooler Approx. Ship Wt. (LBS)
	208-230/1/60				460/1/60				
	6 FPI		4 FPI		6 FPI		4 FPI		
	Model Number	List Price (\$US)	Model Number	List Price (\$US)	Model Number	List Price (\$US)	Model Number	List Price (\$US)	
1	WL6E035DPA	\$2,265	WL4E027DPA	\$2,174	WL6E035FPA	\$2,580	WL4E027FPA	\$2,477	41
	WL6E042DPA	2,526	WL4E032DPA	2,425	WL6E042FPA	2,813	WL4E032FPA	2,700	44
	WL6E049DPA	2,824	WL4E038DPA	2,711	WL6E049FPA	3,207	WL4E038FPA	3,079	47
2	WL6E066DPA	3,282	WL4E051DPA	3,151	WL6E066FPA	3,665	WL4E051FPA	3,518	52
	WL6E077DPA	3,483	WL4E064DPA	3,344	WL6E077FPA	4,123	WL4E064FPA	3,958	55
	WL6E090DPA	3,648	WL4E080DPA	3,502	WL6E090FPA	4,333	WL4E080FPA	4,160	58
	WL6E105DPA	4,257			WL6E105FPA	4,640			62
3	WL6E121DPA	4,599	WL4E094DPA	4,415	WL6E121FPA	5,478	WL4E094FPA	5,259	72
	WL6E142DPA	5,406	WL4E110DPA	5,190	WL6E142FPA	6,319	WL4E110FPA	6,066	78
4	WL6E162DPA	6,154	WL4E125DPA	5,908	WL6E162FPA	7,231	WL4E125FPA	6,942	85
	WL6E182DPA	6,953	WL4E141DPA	6,675	WL6E182FPA	8,120	WL4E141FPA	7,795	115
5	WL6E200DPA	7,745	WL4E155DPA	7,435	WL6E200FPA	9,001	WL4E155FPA	8,641	124
6	WL6E244DPA	8,875	WL4E195DPA	8,520	WL6E244FPA	10,348	WL4E195FPA	9,934	147
	WL6E281DPA	10,113	WL4E230DPA	9,708	WL6E281FPA	11,734	WL4E230FPA	11,265	218

Notes

1. Five (5) and six (6) fan electric defrost models are also available wired for 208-230/3/60.

**NEXT-GEN ALL-TEMP • ELECTRIC DEFROST MODEL OPTIONS**

Number of Fans	Factory Mounted Options <sup>2</sup> - List Price Adder (\$USD)								
	TXV	EEV	EcoNet Controller	KE2 Evaporator Defrost Control	LLSV	Mechanical Thermostat	Electronic Thermostat	Adjustable Termination Switch/Fan Delay	Insulated Drain Pan
1	\$423	\$1,509	\$1,941	\$4,245	\$340	\$346	\$433	\$358	\$610
2	423	1,509	1,941	4,245	340	346	433	358	771
3	423	1,509	1,941	4,245	340	346	433	358	935
4	423	1,509	1,941	4,245	340	346	433	358	1,075
5	423	1,509	1,941	4,245	394	346	433	358	1,227
6	744	1,509	1,941	4,245	394	346	433	358	1,395

Notes

1. Shipped-Loose Accessory Pricing is found on Page 31.

2. Alternative Housing, Coil Coating & Housing Coating options are available. Contact Application Engineering for coated housing or alternate coil coating. ElectroFin, Bronz-Glow and Heresite are available coating options.

**NEXT-GEN ALL-TEMP • ELECTRIC DEFROST - ECONET PRE-CONFIGURED MODELS**

EcoNet Control package includes: EcoNet Control Board; EEV; Suction Pressure Transducer; Suction, Entering Air and Coil Temp. (Controller replaces TXV, liquid line solenoid valve, room thermostat, defrost termination and fan delay, and time clock.)

Number of Fans	Dual Speed EC Motors		Single Speed PSC Motors	
	208-230/1/60		208-230/1/60	
	Model Number	List Price (\$US)	Model Number	List Price (\$US)
1	WL6E035DDARE	\$4,577	WL6E035DPARE	\$4,206
	WL6E042DDARE	4,873	WL6E042DPARE	4,467
	WL6E049DDARE	5,168	WL6E049DPARE	4,765
2	WL6E066DDARE	6,007	WL6E066DPARE	5,223
	WL6E077DDARE	6,219	WL6E077DPARE	5,424
	WL6E090DDARE	6,344	WL6E090DPARE	5,589
	WL6E105DDARE	7,099	WL6E105DPARE	6,198
3	WL6E121DDARE	7,710	WL6E121DPARE	6,540
	WL6E142DDARE	8,523	WL6E142DPARE	7,347
4	WL6E162DDARE	9,660	WL6E162DPARE	8,095
	WL6E182DDARE	10,459	WL6E182DPARE	8,894
5	WL6E200DDARE	11,521	WL6E200DPARE	9,686
6	WL6E244DDARE	13,179	WL6E244DPARE	10,816
	WL6E281DDARE	14,384	WL6E281DPARE	12,054

**NEXT-GEN ALL-TEMP • ELECTRIC DEFROST - MOUNTED COMPONENTS (R404A) PRE-CONFIGURED MODELS**

Mounted Components (R404A) Pre-configured Units include: Factory Mounted TXV, LLSV and Mechanical Thermostat. Equipment is rated for operation at -20°FSS/10°FDT for R404A.

Number of Fans	Dual Speed EC Motors		Single Speed PSC Motors	
	208-230/1/60		208-230/1/60	
	Model Number	List Price (\$US)	Model Number	List Price (\$US)
1	WL6E035DDAAL	\$3,745	WL6E035DPAAL	\$3,374
	WL6E042DDAAL	4,041	WL6E042DPAAL	3,635
	WL6E049DDAAL	4,336	WL6E049DPAAL	3,933
2	WL6E066DDAAL	5,175	WL6E066DPAAL	4,391
	WL6E077DDAAL	5,387	WL6E077DPAAL	4,592
	WL6E090DDAAL	5,512	WL6E090DPAAL	4,757
	WL6E105DDAAL	6,267	WL6E105DPAAL	5,366
3	WL6E121DDAAL	6,878	WL6E121DPAAL	5,708
	WL6E142DDAAL	7,691	WL6E142DPAAL	6,515
4	WL6E162DDAAL	8,828	WL6E162DPAAL	7,263
	WL6E182DDAAL	9,627	WL6E182DPAAL	8,062
5	WL6E200DDAAL	10,743	WL6E200DPAAL	8,908
6	WL6E244DDAAL	12,722	WL6E244DPAAL	10,359
	WL6E281DDAAL	13,927	WL6E281DPAAL	11,597

**NEXT-GEN ALL-TEMP • ELECTRIC DEFROST - MOUNTED COMPONENTS (HIGH GLIDE) PRE-CONFIGURED MODELS**

Mounted Components (High Glide) Pre-configured Units include: Factory Mounted TXV, LLSV and Mechanical Thermostat. Equipment is rated for operation at -20°FSS/10°FDT for R407A, R448A, R449A or R449B.

Number of Fans	Dual Speed EC Motors		Single Speed PSC Motors	
	208-230/1/60		208-230/1/60	
	Model Number	List Price (\$US)	Model Number	List Price (\$US)
1	WL6E035DDASL	\$3,745	WL6E035DPASL	\$3,374
	WL6E042DDASL	4,041	WL6E042DPASL	3,635
	WL6E049DDASL	4,336	WL6E049DPASL	3,933
2	WL6E066DDASL	5,175	WL6E066DPASL	4,391
	WL6E077DDASL	5,387	WL6E077DPASL	4,592
	WL6E090DDASL	5,512	WL6E090DPASL	4,757
	WL6E105DDASL	6,267	WL6E105DPASL	5,366
3	WL6E121DDASL	6,878	WL6E121DPASL	5,708
	WL6E142DDASL	7,691	WL6E142DPASL	6,515
4	WL6E162DDASL	8,828	WL6E162DPASL	7,263
	WL6E182DDASL	9,627	WL6E182DPASL	8,062
5	WL6E200DDASL	10,743	WL6E200DPASL	8,908
6	WL6E244DDASL	12,722	WL6E244DPASL	10,359
	WL6E281DDASL	13,927	WL6E281DPASL	11,597

**NEXT-GEN ALL-TEMP • HOT GAS DEFROST - REVERSE CYCLE - DUAL SPEED EC MOTORS - CONFIGURABLE BASE MODELS**

Number of Fans	Dual Speed Motors								Unit Cooler Approx. Ship Wt. (LBS)
	115/1/60				208-230/1/60				
	6 FPI		4 FPI		6 FPI		4 FPI		
	Model Number	List Price (\$US)	Model Number	List Price (\$US)	Model Number	List Price (\$US)	Model Number	List Price (\$US)	
1	WL6G035ADA	\$2,566	WL4G027ADA	\$2,463	WL6G035DDA	\$2,625	WL4G027DDA	\$2,520	41
	WL6G042ADA	2,898	WL4G032ADA	2,782	WL6G042DDA	2,966	WL4G032DDA	2,847	44
	WL6G049ADA	3,271	WL4G038ADA	3,140	WL6G049DDA	3,348	WL4G038DDA	3,214	47
2	WL6G066ADA	3,927	WL4G051ADA	3,770	WL6G066DDA	4,179	WL4G051DDA	4,012	52
	WL6G077ADA	4,347	WL4G064ADA	4,173	WL6G077DDA	4,597	WL4G064DDA	4,413	55
	WL6G090ADA	4,607	WL4G080ADA	4,423	WL6G090DDA	4,917	WL4G080DDA	4,720	58
	WL6G105ADA	5,401			WL6G105DDA	5,712			62
3	WL6G121ADA	5,671	WL4G094ADA	5,444	WL6G121DDA	6,033	WL4G094DDA	5,792	78
	WL6G142ADA	6,638	WL4G110ADA	6,372	WL6G142DDA	6,876	WL4G110DDA	6,601	85
4	WL6G162ADA	7,372	WL4G125ADA	7,077	WL6G162DDA	7,836	WL4G125DDA	7,523	124
	WL6G182ADA	8,256	WL4G141ADA	7,926	WL6G182DDA	8,867	WL4G141DDA	8,512	147
5	WL6G200ADA	8,728	WL4G155ADA	8,379	WL6G200DDA	9,280	WL4G155DDA	8,909	195
6	WL6G244ADA	10,570	WL4G195ADA	10,147	WL6G244DDA	11,344	WL4G195DDA	10,890	238
	WL6G281ADA	11,771	WL4G230ADA	11,300	WL6G281DDA	12,700	WL4G230DDA	12,192	262

Notes

- EC motors are rated for 50HZ operations. Dual speed EC motors are compliant with California Title 24 regulations. Dual speed motor operation employs a relay to control motor speed. LLS voltage must match the voltage applied to the motor.
- Hot Gas Defrost models feature Electric Drain Pan Heaters. Hot Gas Drain Pans are not available.

**NEXT-GEN ALL-TEMP • HOT GAS DEFROST MODEL OPTIONS**

Number of Fans	Factory Mounted Options2 - List Price Adder (\$USD)						
	TXV	EEV	LLSV	Mechanical Thermostat	Electronic Thermostat	Adjustable Termination Switch/Fan Delay	Insulated Drain Pan
1	\$423	\$1,509	\$340	\$346	\$433	\$358	\$610
2	423	1,509	340	346	433	358	771
3	423	1,509	340	346	433	358	935
4	423	1,509	340	346	433	358	1,075
5	423	1,509	394	346	433	358	1,227
6	744	1,509	394	346	433	358	1,395

Notes

- Shipped-Loose Accessory Pricing is found on Page 31.
- Alternative Housing, Coil Coating & Housing Coating options are available. Contact Application Engineering for coated housing or alternate coil coating. ElectroFin, Bronz-Glow and Heresite are available coating options.
- Consult Factory for Factory Mounted Suction Check Valves

**NEXT-GEN ALL-TEMP • HOT GAS DEFROST - REVERSE CYCLE - SINGLE SPEED EC MOTORS - CONFIGURABLE BASE MODELS**

Number of Fans	Single Speed Motors								Unit Cooler Approx. Ship Wt. (LBS)
	115/1/60				208-230/1/60				
	6 FPI		4 FPI		6 FPI		4 FPI		
Model Number	List Price (\$US)	Model Number	List Price (\$US)	Model Number	List Price (\$US)	Model Number	List Price (\$US)		
1	WL6G035AEA	\$2,566	WL4G027AEA	\$2,463	WL6G035DEA	\$2,625	WL4G027DEA	\$2,520	41
	WL6G042AEA	2,898	WL4G032AEA	2,782	WL6G042DEA	2,966	WL4G032DEA	2,847	44
	WL6G049AEA	3,271	WL4G038AEA	3,140	WL6G049DEA	3,348	WL4G038DEA	3,214	47
2	WL6G066AEA	3,927	WL4G051AEA	3,770	WL6G066DEA	4,179	WL4G051DEA	4,012	52
	WL6G077AEA	4,347	WL4G064AEA	4,173	WL6G077DEA	4,597	WL4G064DEA	4,413	55
	WL6G090AEA	4,607	WL4G080AEA	4,423	WL6G090DEA	4,917	WL4G080DEA	4,720	58
	WL6G105AEA	5,401			WL6G105DEA	5,712			62
3	WL6G121AEA	5,671	WL4G094AEA	5,444	WL6G121DEA	6,033	WL4G094DEA	5,792	78
	WL6G142AEA	6,638	WL4G110AEA	6,372	WL6G142DEA	6,876	WL4G110DEA	6,601	85
4	WL6G162AEA	7,372	WL4G125AEA	7,077	WL6G162DEA	7,836	WL4G125DEA	7,523	124
	WL6G182AEA	8,256	WL4G141AEA	7,926	WL6G182DEA	8,867	WL4G141DEA	8,512	147
5	WL6G200AEA	8,728	WL4G155AEA	8,379	WL6G200DEA	9,280	WL4G155DEA	8,909	195
6	WL6G244AEA	10,570	WL4G195AEA	10,147	WL6G244DEA	11,344	WL4G195DEA	10,890	238
	WL6G281AEA	11,771	WL4G230AEA	11,300	WL6G281DEA	12,700	WL4G230DEA	12,192	262

Notes

- EC motors are rated for 50HZ operations. Dual speed EC motors are compliant with California Title 24 regulations. Dual speed motor operation employs a relay to control motor speed. LLS voltage must match the voltage applied to the motor.
- Hot Gas Defrost models feature Electric Drain Pan Heaters. Hot Gas Drain Pans are not available.

**NEXT-GEN ALL-TEMP • HOT GAS DEFROST MODEL OPTIONS**

Number of Fans	Factory Mounted Options <sup>2</sup> - List Price Adder (\$USD)						
	TXV	EEV	LLSV	Mechanical Thermostat	Electronic Thermostat	Adjustable Termination Switch/Fan Delay	Insulated Drain Pan
1	\$423	\$1,509	\$340	\$346	\$433	\$358	\$610
2	423	1,509	340	346	433	358	771
3	423	1,509	340	346	433	358	935
4	423	1,509	340	346	433	358	1,075
5	423	1,509	394	346	433	358	1,227
6	744	1,509	394	346	433	358	1,395

Notes

- Shipped-Loose Accessory Pricing is found on Page 31.
- Alternative Housing, Coil Coating & Housing Coating options are available. Contact Application Engineering for coated housing or alternate coil coating. ElectroFin, Bronz-Glow and Heresite are available coating options.
- Consult Factory for Factory Mounted Suction Check Valves.

**NEXT-GEN ALL-TEMP • HOT GAS DEFROST - REVERSE CYCLE - PSC MOTORS - CONFIGURABLE BASE MODELS**

Number of Fans	PSC Motors								Unit Cooler Approx. Ship Wt. (LBS)
	115/1/60				208-230/1/60				
	6 FPI		4 FPI		6 FPI		4 FPI		
Model Number	List Price (\$US)	Model Number	List Price (\$US)	Model Number	List Price (\$US)	Model Number	List Price (\$US)		
1	WL6G035APA	\$2,181	WL4G027APA	\$2,094	WL6G035DPA	\$2,239	WL4G027DPA	\$2,149	41
	WL6G042APA	2,492	WL4G032APA	2,392	WL6G042DPA	2,558	WL4G032DPA	2,456	44
	WL6G049APA	2,867	WL4G038APA	2,752	WL6G049DPA	2,945	WL4G038DPA	2,827	47
2	WL6G066APA	3,141	WL4G051APA	3,015	WL6G066DPA	3,392	WL4G051DPA	3,256	52
	WL6G077APA	3,556	WL4G064APA	3,414	WL6G077DPA	3,805	WL4G064DPA	3,653	55
	WL6G090APA	3,837	WL4G080APA	3,684	WL6G090DPA	4,148	WL4G080DPA	3,982	58
	WL6G105APA	4,498			WL6G105DPA	4,894			62
3	WL6G121APA	4,514	WL4G094APA	4,333	WL6G121DPA	4,863	WL4G094DPA	4,668	78
	WL6G142APA	5,462	WL4G110APA	5,244	WL6G142DPA	5,699	WL4G110DPA	5,471	85
4	WL6G162APA	5,805	WL4G125APA	5,573	WL6G162DPA	6,270	WL4G125DPA	6,019	124
	WL6G182APA	6,693	WL4G141APA	6,425	WL6G182DPA	7,305	WL4G141DPA	7,013	147
5	WL6G200APA	6,804	WL4G155APA	6,532	WL6G200DPA	7,356	WL4G155DPA	7,062	195
6	WL6G244APA	8,200	WL4G195APA	7,872	WL6G244DPA	8,991	WL4G195DPA	8,631	238
	WL6G281APA	9,442	WL4G230APA	9,064	WL6G281DPA	10,364	WL4G230DPA	9,949	238

Number of Fans	PSC Motors				Unit Cooler Approx. Ship Wt. (LBS)
	460/1/60				
	6 FPI		4 FPI		
Model Number	List Price (\$US)	Model Number	List Price (\$US)		
1	WL6G035FPA	\$2,434	WL4G027FPA	\$2,337	41
	WL6G042FPA	2,762	WL4G032FPA	2,652	44
	WL6G049FPA	3,150	WL4G038FPA	3,024	47
2	WL6G066FPA	3,781	WL4G051FPA	3,630	52
	WL6G077FPA	4,193	WL4G064FPA	4,025	55
	WL6G090FPA	4,539	WL4G080FPA	4,357	58
	WL6G105FPA	5,289			62
3	WL6G121FPA	5,442	WL4G094FPA	5,224	78
	WL6G142FPA	6,281	WL4G110FPA	6,030	85
4	WL6G162FPA	7,053	WL4G125FPA	6,771	124
	WL6G182FPA	8,084	WL4G141FPA	7,761	147
5	WL6G200FPA	8,331	WL4G155FPA	7,998	195
6	WL6G244FPA	10,191	WL4G195FPA	9,783	238
	WL6G281FPA	11,545	WL4G230FPA	11,083	238

Notes

2. Hot Gas Defrost models feature Electric Drain Pan Heaters. Hot Gas Drain Pans are not available.

**NEXT-GEN ALL-TEMP • HOT GAS DEFROST MODEL OPTIONS**

Number of Fans	Factory Mounted Options <sup>2</sup> - List Price Adder (\$USD)						
	TXV	EEV	LLSV	Mechanical Thermostat	Electronic Thermostat	Adjustable Termination Switch/Fan Delay	Insulated Drain Pan
1	\$423	\$1,509	\$340	\$346	\$433	\$358	\$610
2	423	1,509	340	346	433	358	771
3	423	1,509	340	346	433	358	935
4	423	1,509	340	346	433	358	1,075
5	423	1,509	394	346	433	358	1,227
6	744	1,509	394	346	433	358	1,395

Notes

1. Shipped-Loose Accessory Pricing is found on Page 31.

2. Alternative Housing, Coil Coating & Housing Coating options are available. Contact Application Engineering for coated housing or alternate coil coating. ElectroFin, Bronz-Glow and Heresite are available coating options.

3. Consult Factory for Factory Mounted Suction Check Valves

**NEXT-GEN ALL-TEMP • HOT GAS DEFROST - 3 PIPE - DUAL SPEED EC MOTORS - CONFIGURABLE BASE MODELS**

Number of Fans	Dual Speed Motors								Unit Cooler Approx. Ship Wt (LBS)
	115/1/60				208-230/1/60				
	6 FPI		4 FPI		6 FPI		4 FPI		
Model Number	List Price (\$US)	Model Number	List Price (\$US)	Model Number	List Price (\$US)	Model Number	List Price (\$US)		
1	WL6H035ADA	\$2,566	WL4H027ADA	\$2,463	WL6H035DDA	\$2,625	WL4H027DDA	\$2,520	41
	WL6H042ADA	2,898	WL4H032ADA	2,782	WL6H042DDA	2,966	WL4H032DDA	2,847	44
	WL6H049ADA	3,271	WL4H038ADA	3,140	WL6H049DDA	3,348	WL4H038DDA	3,214	47
2	WL6H066ADA	3,927	WL4H051ADA	3,770	WL6H066DDA	4,179	WL4H051DDA	4,012	52
	WL6H077ADA	4,347	WL4H064ADA	4,173	WL6H077DDA	4,597	WL4H064DDA	4,413	55
	WL6H090ADA	4,607	WL4H080ADA	4,423	WL6H090DDA	4,917	WL4H080DDA	4,720	58
3	WL6H105ADA	5,401			WL6H105DDA	5,712			62
	WL6H121ADA	5,671	WL4H094ADA	5,444	WL6H121DDA	6,033	WL4H094DDA	5,792	78
4	WL6H142ADA	6,638	WL4H110ADA	6,372	WL6H142DDA	6,876	WL4H110DDA	6,601	85
	WL6H162ADA	7,372	WL4H125ADA	7,077	WL6H162DDA	7,836	WL4H125DDA	7,523	124
5	WL6H182ADA	8,256	WL4H141ADA	7,926	WL6H182DDA	8,867	WL4H141DDA	8,512	147
	WL6H200ADA	8,728	WL4H155ADA	8,379	WL6H200DDA	9,280	WL4H155DDA	8,909	195
6	WL6H244ADA	10,570	WL4H195ADA	10,147	WL6H244DDA	11,344	WL4H195DDA	10,890	238
	WL6H281ADA	11,771	WL4H230ADA	11,300	WL6H281DDA	12,700	WL4H230DDA	12,192	262

Notes

1. EC motors are rated for 50HZ operations. Dual speed EC motors are compliant with California Title 24 regulations. Dual speed motor operation employs a relay to control motor speed. LLS voltage must match the voltage applied to the motor.
2. Hot Gas Defrost models feature Electric Drain Pan Heaters. Hot Gas Drain Pans are not available.

**NEXT-GEN ALL-TEMP • HOT GAS DEFROST MODEL OPTIONS**

Number of Fans	Factory Mounted Options <sup>2</sup> - List Price Adder (\$USD)						
	TXV	EEV	LLSV	Mechanical Thermostat	Electronic Thermostat	Adjustable Termination Switch/Fan Delay	Insulated Drain Pan
1	\$423	\$1,509	\$340	\$346	\$433	\$358	\$610
2	423	1,509	340	346	433	358	771
3	423	1,509	340	346	433	358	935
4	423	1,509	340	346	433	358	1,075
5	423	1,509	394	346	433	358	1,227
6	744	1,509	394	346	433	358	1,395

Notes

1. Shipped-Loose Accessory Pricing is found on Page 31.
2. Alternative Housing, Coil Coating & Housing Coating options are available. Contact Application Engineering for coated housing or alternate coil coating. ElectroFin, Bronz-Glow and Heresite are available coating options.
3. Consult Factory for Factory Mounted Suction Check Valves.



**NEXT-GEN ALL-TEMP • HOT GAS DEFROST - 3 PIPE - SINGLE SPEED EC MOTORS - CONFIGURABLE BASE MODELS**

Number of Fans	Single Speed EC Motors								Unit Cooler Approx. Ship Wt. (LBS)
	115/1/60				208-230/1/60				
	6 FPI		4 FPI		6 FPI		4 FPI		
Model Number	List Price (\$US)	Model Number	List Price (\$US)	Model Number	List Price (\$US)	Model Number	List Price (\$US)		
1	WL6H035AEA	\$2,566	WL4H027AEA	\$2,463	WL6H035DEA	\$2,625	WL4H027DEA	\$2,520	41
	WL6H042AEA	2,898	WL4H032AEA	2,782	WL6H042DEA	2,966	WL4H032DEA	2,847	44
	WL6H049AEA	3,271	WL4H038AEA	3,140	WL6H049DEA	3,348	WL4H038DEA	3,214	47
2	WL6H066AEA	3,927	WL4H051AEA	3,770	WL6H066DEA	4,179	WL4H051DEA	4,012	52
	WL6H077AEA	4,347	WL4H064AEA	4,173	WL6H077DEA	4,597	WL4H064DEA	4,413	55
	WL6H090AEA	4,607	WL4H080AEA	4,423	WL6H090DEA	4,917	WL4H080DEA	4,720	58
	WL6H105AEA	5,401			WL6H105DEA	5,712			62
3	WL6H121AEA	5,671	WL4H094AEA	5,444	WL6H121DEA	6,033	WL4H094DEA	5,792	78
	WL6H142AEA	6,638	WL4H110AEA	6,372	WL6H142DEA	6,876	WL4H110DEA	6,601	85
4	WL6H162AEA	7,372	WL4H125AEA	7,077	WL6H162DEA	7,836	WL4H125DEA	7,523	124
	WL6H182AEA	8,256	WL4H141AEA	7,926	WL6H182DEA	8,867	WL4H141DEA	8,512	147
5	WL6H200AEA	8,728	WL4H155AEA	8,379	WL6H200DEA	9,280	WL4H155DEA	8,909	195
6	WL6H244AEA	10,570	WL4H195AEA	10,147	WL6H244DEA	11,344	WL4H195DEA	10,890	238
	WL6H281AEA	11,771	WL4H230AEA	11,300	WL6H281DEA	12,700	WL4H230DEA	12,192	262

Notes

- EC motors are rated for 50HZ operations. Dual speed EC motors are compliant with California Title 24 regulations. Dual speed motor operation employs a relay to control motor speed. LLS voltage must match the voltage applied to the motor.
- Hot Gas Defrost models feature Electric Drain Pan Heaters. Hot Gas Drain Pans are not available.

**NEXT-GEN ALL-TEMP • HOT GAS DEFROST MODEL OPTIONS**

Number of Fans	Factory Mounted Options <sup>2</sup> - List Price Adder (\$USD)						
	TXV	EEV	LLSV	Mechanical Thermostat	Electronic Thermostat	Adjustable Termination Switch/Fan Delay	Insulated Drain Pan
1	\$423	\$1,509	\$340	\$346	\$433	\$358	\$610
2	423	1,509	340	346	433	358	771
3	423	1,509	340	346	433	358	935
4	423	1,509	340	346	433	358	1,075
5	423	1,509	394	346	433	358	1,227
6	744	1,509	394	346	433	358	1,395

Notes

- Shipped-Loose Accessory Pricing is found on Page 31.
- Alternative Housing, Coil Coating & Housing Coating options are available. Contact Application Engineering for coated housing or alternate coil coating. ElectroFin, Bronz-Glow and Heresite are available coating options.
- Consult Factory for Factory Mounted Suction Check Valves.

**NEXT-GEN ALL-TEMP • HOT GAS DEFROST - 3 PIPE - PSC MOTORS - CONFIGURABLE BASE MODELS**

Number of Fans	PSC Motors								Unit Cooler Approx. Ship Wt. (LBS)
	115/1/60				208-230/1/60				
	6 FPI		4 FPI		6 FPI		4 FPI		
Model Number	List Price (\$US)	Model Number	List Price (\$US)	Model Number	List Price (\$US)	Model Number	List Price (\$US)		
1	WL6H035APA	\$2,181	WL4H027APA	\$2,094	WL6H035DPA	\$2,239	WL4H027DPA	\$2,149	41
	WL6H042APA	2,492	WL4H032APA	2,392	WL6H042DPA	2,558	WL4H032DPA	2,456	44
	WL6H049APA	2,867	WL4H038APA	2,752	WL6H049DPA	2,945	WL4H038DPA	2,827	47
2	WL6H066APA	3,141	WL4H051APA	3,015	WL6H066DPA	3,392	WL4H051DPA	3,256	52
	WL6H077APA	3,556	WL4H064APA	3,414	WL6H077DPA	3,805	WL4H064DPA	3,653	55
	WL6H090APA	3,837	WL4H080APA	3,684	WL6H090DPA	4,148	WL4H080DPA	3,982	58
	WL6H105APA	4,498			WL6H105DPA	4,894			62
3	WL6H121APA	4,514	WL4H094APA	4,333	WL6H121DPA	4,863	WL4H094DPA	4,668	78
	WL6H142APA	5,462	WL4H110APA	5,244	WL6H142DPA	5,699	WL4H110DPA	5,471	85
4	WL6H162APA	5,805	WL4H125APA	5,573	WL6H162DPA	6,270	WL4H125DPA	6,019	124
	WL6H182APA	6,693	WL4H141APA	6,425	WL6H182DPA	7,305	WL4H141DPA	7,013	147
5	WL6H200APA	6,804	WL4H155APA	6,532	WL6H200DPA	7,356	WL4H155DPA	7,062	195
6	WL6H244APA	8,200	WL4H195APA	7,872	WL6H244DPA	8,991	WL4H195DPA	8,631	238
	WL6H281APA	9,442	WL4H230APA	9,064	WL6H281DPA	10,364	WL4H230DPA	9,949	238

Number of Fans	PSC Motors				Unit Cooler Approx. Ship Wt. (LBS)
	460/1/60				
	6 FPI		4 FPI		
Model Number	List Price (\$US)	Model Number	List Price (\$US)		
1	WL6H035FPA	\$2,434	WL4H027FPA	\$2,337	41
	WL6H042FPA	2,761	WL4H032FPA	2,651	44
	WL6H049FPA	3,150	WL4H038FPA	3,024	47
2	WL6H066FPA	3,781	WL4H051FPA	3,630	52
	WL6H077FPA	4,193	WL4H064FPA	4,025	55
	WL6H090FPA	4,539	WL4H080FPA	4,357	58
	WL6H105FPA	5,289			62
3	WL6H121FPA	5,442	WL4H094FPA	5,224	78
	WL6H142FPA	6,282	WL4H110FPA	6,031	85
4	WL6H162FPA	7,053	WL4H125FPA	6,771	124
	WL6H182FPA	8,084	WL4H141FPA	7,761	147
5	WL6H200FPA	8,331	WL4H155FPA	7,998	195
6	WL6H244FPA	10,192	WL4H195FPA	9,784	238
	WL6H281FPA	11,545	WL4H230FPA	11,083	238

Notes

2. Hot Gas Defrost models feature Electric Drain Pan Heaters. Hot Gas Drain Pans are not available.

**NEXT-GEN ALL-TEMP • HOT GAS DEFROST MODEL OPTIONS**

Number of Fans	Factory Mounted Options <sup>2</sup> - List Price Adder (\$USD)						
	TXV	EEV	LLSV	Mechanical Thermostat	Electronic Thermostat	Adjustable Termination Switch/Fan Delay	Insulated Drain Pan
1	\$423	\$1,509	\$340	\$346	\$433	\$358	\$610
2	423	1,509	340	346	433	358	771
3	423	1,509	340	346	433	358	935
4	423	1,509	340	346	433	358	1,075
5	423	1,509	394	346	433	358	1,227
6	744	1,509	394	346	433	358	1,395

Notes

1. Shipped-Loose Accessory Pricing is found on Page 31.

2. Alternative Housing, Coil Coating & Housing Coating options are available. Contact Application Engineering for coated housing or alternate coil coating. ElectroFin, Bronz-Glow and Heresite are available coating options.

3. Consult Factory for Factory Mounted Suction Check Valves.

# CENTER MOUNT UNIT COOLERS

## Description:

Center Mount Unit Coolers are designed for use in walk-in coolers and freezers with very low headroom clearance. Units mount flush to the ceiling to provide extra storage space. Features include two-way air flow to provide for even circulation and temperature, easy serviceability, usability with multiple refrigerants, and are available in air and electric defrost models.



## Nomenclature:

CONFIGURABLE BASE MODEL							
W	V	6	A	041	A	D	A
Brand	Style	Fins Per Inch	Defrost Type	BTUH in Hundreds	Unit Voltage <sup>^</sup>	Motor Type	Revision
W - Witt	E - Center Mount	6 - 6 FPI 4 - 4 FPI	A - Air E - Electric		A - 115/1/60 D - 208-230/1/60	E - Single Speed EC D - Dual Speed EC	

Note:

<sup>^</sup> 50 Hz available. Contact Factory for additional information.

## STANDARD FEATURES

- EC motors that can be field or factory wired for dual speed (Dual Speed EC motors are compliant with California Title 24 regulations)
- Extra low height — mounts flush to ceiling
- Two-way air flow for even air circulation and consistent temperature
- Embossed aluminum housing is sloped for efficient condensate draining
- Unique design allows for service in confined spaces
- Available as single through five fan models
- UL/cUL certified for use with multiple refrigerants
- NSF approved for use in food preparation areas

## OPTIONAL FEATURES

- EcoNet<sup>®</sup> Enabled Controller<sup>1</sup> factory-installed
- EcoNet<sup>®</sup> Command Center (loose)
- Thermostat - Mechanical or Electric (mounted or loose)
- Thermostatic Expansion Valve (mounted or loose)
- Electronic Expansion Valve (mounted or loose)
- Liquid Line Solenoid Valve (mounted or loose)
- Insulated Drain Pan
- Painted Cabinet (White or Black)
- Coated Cabinet
- Stainless Steel Cabinet
- Coated Coil (Epoxy, Heresite Bronz-Glow, or Electrofin<sup>®</sup>)
- Heat Exchanger (loose)



Note:

1. EcoNet Control Package includes: EEV; suction pressure transducer; suction, entering air coil temp. thermistors; local on-board two-row LCD display and push-button adjustments. (Controller replaces TXV, liquid line solenoid valve, room thermostat, defrost termination and fan delay, and time clock.)

## CENTER MOUNT UNIT COOLERS

### AIR DEFROST - BASE MODELS

	Number of Fans	Dual Speed EC Motors				Single Speed EC Motors			
		115/1/60		208-230/1/60		115/1/60		208-230/1/60	
		Model Number	List Price (\$US)	Model Number	List Price (\$US)	Model Number	List Price (\$US)	Model Number	List Price (\$US)
<b>6 F P I</b>	1	WE6A041ADA	\$2,556	WE6A041DDA	\$2,685	WE6A041AEA	\$2,556	WE6A041DEA	\$2,685
	2	WE6A070ADA	3,711	WE6A070DDA	3,875	WE6A070AEA	3,711	WE6A070DEA	3,875
		WE6A084ADA	4,069	WE6A084DDA	4,238	WE6A084AEA	4,069	WE6A084DEA	4,238
	3	WE6A104ADA	4,442	WE6A104DDA	4,645	WE6A104AEA	4,442	WE6A104DEA	4,645
		WE6A128ADA	5,551	WE6A128DDA	5,763	WE6A128AEA	5,551	WE6A128DEA	5,763
	4	WE6A141ADA	6,120	WE6A141DDA	6,365	WE6A141AEA	6,120	WE6A141DEA	6,365
		WE6A169ADA	7,048	WE6A169DDA	7,302	WE6A169AEA	7,048	WE6A169DEA	7,302
	5	WE6A204ADA	7,688	WE6A204DDA	7,982	WE6A204AEA	7,688	WE6A204DEA	7,982
		WE6A258ADA	9,303	WE6A258DDA	10,564	WE6A258AEA	9,303	WE6A258DEA	10,564

### ELECTRIC DEFROST - BASE MODELS

	Number of Fans	Dual Speed EC Motors		Single Speed EC Motors	
		208-230/1/60		208-230/1/60	
		Model Number	List Price (\$US)	Model Number	List Price (\$US)
<b>6 F P I</b>	1	WE6E037DDA	\$4,028	WE6E037DEA	\$4,028
		WE6E045DDA	5,420	WE6E045DEA	5,420
	2	WE6E075DDA	5,601	WE6E075DEA	5,601
		WE6E089DDA	7,045	WE6E089DEA	7,045
	3	WE6E108DDA	7,648	WE6E108DEA	7,648
		WE6E125DDA	7,739	WE6E125DEA	7,739
	4	WE6E137DDA	9,299	WE6E137DEA	9,299
		WE6E182DDA	9,840	WE6E182DEA	9,840
	5	WE6E221DDA	11,719	WE6E221DEA	11,719
		WE6E278DDA	13,156	WE6E278DEA	13,156
<b>4 F P I</b>	1	WE4E037DDA	4,028	WE4E037DEA	4,028
	2	WE4E075DDA	5,601	WE4E075DEA	5,601
	3	WE4E107DDA	7,577	WE4E107DEA	7,577
	4	WE4E149DDA	9,536	WE4E149DEA	9,536
	5	WE4E186DDA	10,788	WE4E186DEA	10,788
WE4E234DDA		12,408	WE4E234DEA	12,408	

### FACTORY MOUNTED OPTIONS

Number of Fans	EcoNet	TXV	EEV	LLSV	Mechanical Thermostat	Electronic Thermostat	Insulated Drainpan
1	\$1,941	\$423	\$1,509	\$340	\$346	\$433	\$158
2	1,941	423	1,509	340	346	433	200
3	1,941	423	1,509	340	346	433	242
4	1,941	423	1,509	340	346	433	283
5	1,941	423	1,509	340	346	433	325

Note:

Cabinet (Painted Cabinet, Coated Cabinet, or Stainless Steel) and Coil Coating (Epoxy, Heresite, Bronz-Glow & Electrofin) are also available. Please contact factory for pricing and lead times.

FOR SHIPPED LOOSE ACCESSORIES, SEE PAGE 31.

## DUAL-FLO DUAL DISCHARGE - LOW SILHOUETTE UNIT COOLERS

Dual-Flo Unit Coolers were discontinued on 12/20/19.

Order Center Mount Unit Coolers instead.

## EASY-FLO LOW AIR VELOCITY UNIT COOLERS

Easy-Flo Low Air Velocity Unit Coolers were discontinued on 12/20/19.

Order Low Velocity Center Mount Unit Coolers instead.

# LOW VELOCITY CENTER MOUNT UNIT COOLERS

## Description:

Low Velocity Center Mount Unit Coolers mount flush to the ceiling to provide extra storage space. Units are ideal for florist boxes; produce storage; meat cutting, holding and packing rooms; and similar applications. Features include two-way air flow to provide for even circulation and temperature, easy serviceability, usability with multiple refrigerants, and are available in air and electric defrost models.



## Nomenclature:

CONFIGURABLE BASE MODEL							
W	V	6	A	043	A	D	A
Brand	Style	Fins Per Inch	Defrost Type	BTUH in Hundreds	Unit Voltage <sup>^</sup>	Motor Type	Revision
W - Witt	V - Low Velocity Center Mount	6 - 6 FPI	A - Air E - Electric		A - 115/1/60 D - 208-230/1/60	E - Single Speed EC D - Dual Speed EC	

Note:

<sup>^</sup> 50 Hz available. Contact Factory for additional information.

## STANDARD FEATURES

- EC motors that can be field or factory wired for dual speed (Dual Speed EC motors are compliant with California Title 24 regulations)
- Extra low height — mounts flush to ceiling
- Two-way air flow for even air circulation and consistent temperature
- Embossed aluminum housing is sloped for efficient condensate draining
- Unique design allows for service in confined spaces
- Available as single through five fan models
- UL/cUL certified for use with multiple refrigerants
- NSF approved for use in food preparation areas

## OPTIONAL FEATURES

- EcoNet<sup>®</sup> Enabled Controller<sup>1</sup> factory-installed
- EcoNet<sup>®</sup> Command Center (loose)
- Thermostat - Mechanical or Electric (mounted or loose)
- Thermostatic Expansion Valve (mounted or loose)
- Electronic Expansion Valve (mounted or loose)
- Liquid Line Solenoid Valve (mounted or loose)
- Insulated Drain Pan
- Painted Cabinet (White or Black)
- Coated Cabinet
- Stainless Steel Cabinet
- Coated Coil (Epoxy, Heresite Bronz-Glow, or Electrofin<sup>®</sup>)
- Heat Exchanger (loose)



Note:

1. EcoNet Control Package includes: EEV; suction pressure transducer; suction, entering air coil temp. thermistors; local on-board two-row LCD display and push-button adjustments. (Controller replaces TXV, liquid line solenoid valve, room thermostat, defrost termination and fan delay, and time clock.)

# LOW VELOCITY CENTER MOUNT UNIT COOLERS

## AIR DEFROST - BASE MODELS

	Number of Fans	Dual Speed EC Motors				Single Speed EC Motors			
		115/1/60		208-230/1/60		115/1/60		208-230/1/60	
		Model Number	List Price (\$US)	Model Number	List Price (\$US)	Model Number	List Price (\$US)	Model Number	List Price (\$US)
<b>6 F P I</b>	1	WV6A043ADA	3,959	WV6A043DDA	4,117	WV6A043AEA	3,959	WV6A043DEA	4,117
		WV6A053ADA	4,101	WV6A053DDA	4,265	WV6A053AEA	4,101	WV6A053DEA	4,265
	2	WV6A085ADA	4,777	WV6A085DDA	4,968	WV6A085AEA	4,777	WV6A085DEA	4,968
		WV6A106ADA	5,857	WV6A106DDA	6,092	WV6A106AEA	5,857	WV6A106DEA	6,092
	3	WV6A129ADA	6,800	WV6A129DDA	7,072	WV6A129AEA	6,800	WV6A129DEA	7,072
		WV6A158ADA	7,629	WV6A158DDA	7,935	WV6A158AEA	7,629	WV6A158DEA	7,935
	4	WV6A176ADA	9,298	WV6A176DDA	9,670	WV6A176AEA	9,298	WV6A176DEA	9,670
		WV6A218ADA	10,514	WV6A218DDA	10,934	WV6A218AEA	10,514	WV6A218DEA	10,934
	5	WV6A271ADA	11,530	WV6A271DDA	11,991	WV6A271AEA	11,530	WV6A271DEA	11,991

## ELECTRIC DEFROST - BASE MODELS

	Number of Fans	Dual Speed EC Motors		Single Speed EC Motors	
		208-230/1/60		208-230/1/60	
		Model Number	List Price (\$US)	Model Number	List Price (\$US)
<b>6 F P I</b>	1	WV6E043DDA	4,559	WV6E043DEA	4,559
		WV6E053DDA	4,785	WV6E053DEA	4,785
	2	WV6E085DDA	5,599	WV6E085DEA	5,599
		WV6E106DDA	6,770	WV6E106DEA	6,770
	3	WV6E129DDA	7,948	WV6E129DEA	7,948
		WV6E158DDA	8,878	WV6E158DEA	8,878
	4	WV6E176DDA	10,874	WV6E176DEA	10,874
		WV6E218DDA	12,226	WV6E218DEA	12,226
	5	WV6E271DDA	13,620	WV6E271DEA	13,620

## FACTORY MOUNTED OPTIONS

Number of Fans	EcoNet Controller	TXV	EEV	LLSV	Mechanical Thermostat	Electronic Thermostat	Insulated Drainpan
1	\$1,941	\$423	\$1,509	\$340	\$346	\$433	\$158
2	1,941	423	1,509	340	346	433	200
3	1,941	423	1,509	340	346	433	242
4	1,941	423	1,509	340	346	433	283
5	1,941	423	1,509	340	346	433	325

Note: Cabinet (Painted Cabinet, Coated Cabinet, or Stainless Steel) and Coil Coating (Epoxy, Peresite, Bronze-Glow & Electronic) are also available. Please contact factory for pricing and lead times.

**FOR SHIPPED LOOSE ACCESSORIES, SEE PAGE 31.**

# CENTER MOUNT & LOW VELOCITY CENTER MOUNT UNIT COOLERS

## SHIPPED LOOSE ACCESSORIES

### Controls & Thermostats

Option Name	Option Description	List Price (\$US)
EcoNet Command Center	EcoNet Command Center for EcoNet Enabled Unit Coolers	\$979
Mechanical Thermostat	Mechanical Thermostat: -30°F to + 100°F	319
Electronic Thermostat	Electronic Thermostat: -30°F to + 100°F	412

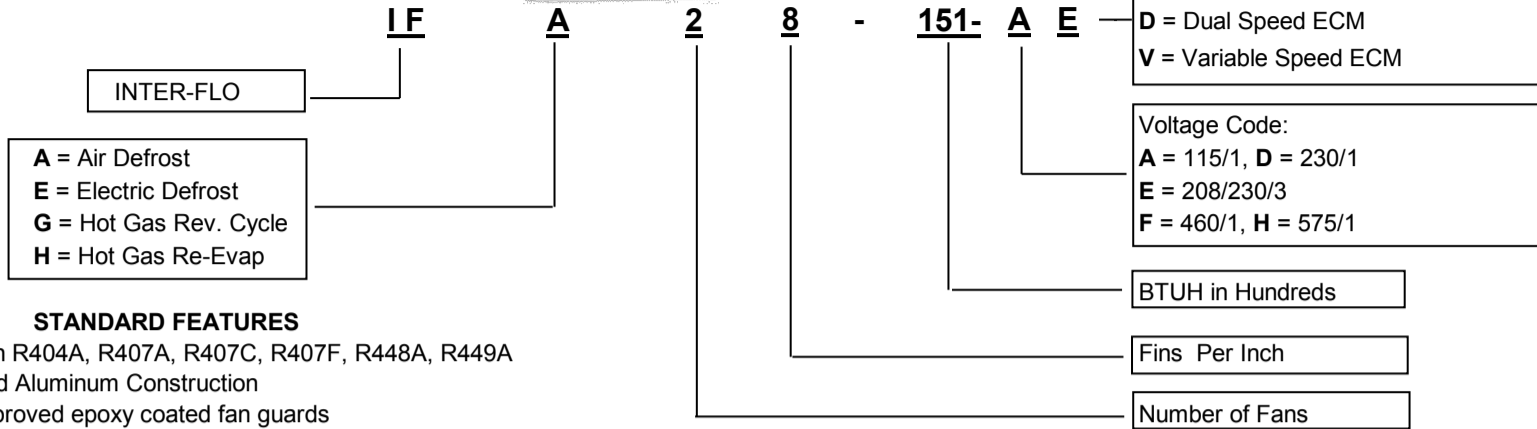
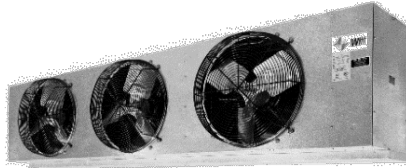
### Expansion Valves & Solenoid Valves

Valve Type	Range	List Price (\$US)
Electronic Expansion Valve (EEV)	1 to 15 Tons	\$1,142
Thermostatic Expansion Valve (TEV)	1/4 to 3 Tons	373
	4 to 9 Tons	478
Liquid Line Solenoid Valve (LLS)	1/2 to 3 HP	340
	4 to 8 HP	394

### Heat Exchangers

Part Number	Model Number	Length (in)	Liquid Line (in)	Suction Line (in)	List Price (\$US)
HX-25	105065001	12	1/4	1/2	\$176
HX-50	105065003	13	3/8	5/8	207
HX-75	105065004	14	3/8	7/8	284
HX-100	105065005	14	3/8	1-1/8	363
HX-150	105065006	14	1/2	1-1/8	419

# INTER-FLO MEDIUM PROFILE UNIT COOLERS



- STANDARD FEATURES**
- Use with R404A, R407A, R407C, R407F, R448A, R449A
  - Textured Aluminum Construction
  - U.L. approved epoxy coated fan guards
  - Separate fixed defrost termination and fan delay controls
  - Permanently lubricated, high efficiency, ECM or PSC motors with
  - Thermal overload protection
  - All components are factory wired to terminal board. Connection points are marked for easy identification.
  - Fully partitioned fan sections.

**ORDERING INFORMATION**

1. Model number
2. Voltage, frequency, phase
3. Refrigerant type
4. Suction Temperature
5. Evaporator T.D.

**OPTIONS**

Air Straightener - Fan Guards (price per fan) LIST \$365

**AIR DEFROST MODELS**

Model Number	Electronically Commutated Motors†						PSC Motors																
	Single Speed Motors		Dual Speed Motors			Variable Speed Motors			Single Speed Motors														
	115V/1	230V/1	115V/1	230V/1	460V/1**	115V/1	230V/1	460V/1**	115V/1	230V/1	460V/1	575V/1											
8	IFA28-151	\$5,812	\$5,899	\$6,292	\$6,453	\$6,888	No longer available				\$5,094	\$5,194	\$5,394	\$5,504									
	IFA28-210	7,009	7,096	7,490	7,649	8,085					5,786	5,874	5,956	6,076									
	IFA38-260	8,676	8,809	9,394	9,640	10,294					7,210	7,356	7,733	7,892									
F	IFA38-320	10,611	11,035	11,331	11,866	12,520					No longer available				9,301	9,764	9,864	10,062					
	IFA28-410	13,496	14,033	14,087	14,626	15,023									11,309	11,821	12,065	12,306					
	I	IFA28-450	15,291	15,644	15,883	16,234									16,633	13,048	13,384	13,789	14,067				
IFA38-540		18,835	19,481	19,723	20,368	20,966									15,697	16,318	16,655	16,986					
IFA38-690		19,727	20,142	20,615	21,029	21,626									17,111	17,521	18,106	18,469					
6	IFA26-145	5,618	5,691	6,098	6,245	6,681									No longer available				4,897	4,982	5,188	5,290	
	IFA26-191	6,800	6,814	7,280	7,368	7,804													5,453	5,466	5,703	5,818	
	IFA36-240	8,378	8,562	9,099	9,393	10,047													6,862	7,060	7,450	7,600	
F	IFA36-305	10,321	10,599	11,040	11,429	12,083													No longer available				8,833
	IFA26-370	13,098	13,463	13,690	14,054	14,452	10,883	11,228	11,612	11,842													
	P	IFA36-415	14,824	15,064	15,710	15,953	16,548	12,719	12,964	13,240													13,505
I		IFA36-490	18,210	18,594	19,098	19,481	20,078	15,131	15,501	16,172													16,495
		IFA36-620	19,120	19,428	20,009	20,315	20,912	16,194	16,490	17,363	17,710												
	4	IFA24-126	5,397	5,488	5,876	6,042	6,478	No longer available				4,722	4,826	4,999									5,099
IFA24-169		6,544	6,659	7,023	7,213	7,648	5,283					5,403	5,565	5,676									
IFA34-224		8,060	8,230	8,780	9,062	9,714	6,580					6,762	7,436	7,585									
F	IFA34-287	9,947	10,325	10,667	11,157	11,809	No longer available																8,543
	P	IFA24-340	12,578	12,853	13,170	13,444									13,843	10,520	10,784	11,121					11,343
		I	IFA24-395	14,211	14,910	14,801									15,501	15,900	12,316	13,002					13,638
IFA34-465			17,543	17,749	18,431	18,637									19,233	14,509	14,708	15,581					15,892
IFA34-585	18,412		18,996	19,300	19,882	20,480									15,669	16,239	17,305	17,652					

† Single speed Electronically Commutated motors are not available in 460V. EC motors are not available in 575V.  
 Dual speed motors include a relay which controls motor speed when wired to the T-stat. Field wiring is required unless T-Stat is mounted on the unit.  
**Dual speed EC motors are compliant with California Title 24 regulations.**

\*\* These 460V/1 models use 1/3 HP motors for all units.

\* Baked Epoxy coating on coil only.  
 Contact Application Engineering for coated housing or other types of coil coatings.

	MODEL NUMBER	Baked Epoxy Coil Coating*	Insulated Drain Pan	HEAT EXCHANGER @ 10° T.D./R404A		APPROX. SHIPPING WEIGHT (LBS.)	
				MODEL	LIST		
8	IFA28-151	\$1,366	\$2,081	HX-75	\$284	125	
	IFA28-210	1,610	2,081	HX-75	284	145	
	IFA38-260	1,832	2,334	HX-100	363	295	
F	IFA38-320	2,066	2,334	HX-150	419	330	
	IFA28-410	2,389	2,081	HX-150	419	370	
	I	IFA28-450	2,531	2,081	HX-250	579	390
IFA38-540		2,882	2,334	HX-250	579	430	
IFA38-690		2,996	2,334	HX-250	579	540	
6	IFA26-145	1,306	\$2,081	HX-75	284	120	
	IFA26-191	1,539	2,081	HX-75	284	140	
	IFA36-240	1,754	2,334	HX-100	363	290	
F	IFA36-305	1,981	2,334	HX-150	419	320	
	IFA26-370	2,284	2,081	HX-150	419	360	
	P	IFA36-415	2,420	2,334	HX-150	419	395
I		IFA36-490	2,756	2,334	HX-250	579	415
		IFA36-620	2,870	2,334	HX-250	579	520
	4	IFA24-126	1,219	\$2,081	HX-50	207	115
IFA24-169		1,436	2,081	HX-75	284	130	
IFA34-224		1,632	2,334	HX-100	363	280	
F	IFA34-287	1,842	2,334	HX-150	419	310	
	P	IFA24-340	2,125	2,081	HX-150	419	345
		I	IFA24-395	2,254	2,081	HX-150	419
IFA34-465			2,569	2,334	HX-250	579	400
IFA34-585	2,668		2,334	HX-250	579	505	



**INTER-FLO • ELECTRIC DEFROST MODELS**

Model Number	Electronically Commutated Motors†					Single Speed PSC Motors			WIDTH (INCHES)	Insulated Drain Pan	Approx. Ship Wt. (LBS.)
	Single Speed	Dual Speed		Variable Speed		230V/1	460V/1	575V/1			
	230V/1	230V/1	460V/1**	230V/1	460V/1**						
6 F P I	IFE26-130	\$6,285	\$6,839	\$7,274	No longer available	\$5,141	\$5,399	\$5,507	55	\$2,081	125
	IFE26-150	6,595	7,149	7,585		5,845	6,118	6,240	55	2,081	140
	IFE36-185	9,885	10,717	11,370		7,859	8,586	8,759	76	2,334	295
	IFE26-270	12,346	12,968	13,336		11,050	11,651	11,884	76	2,081	320
	IFE26-320	13,959	14,580	14,948		11,969	12,817	13,074	76	2,081	365
	IFE36-385	17,423	18,355	18,906		14,698	15,402	15,710	106	2,334	450
4 F P I	IFE36-460	18,097	19,030	19,581	No longer available	16,116	17,260	17,604	106	2,334	490
	IFE36-520	20,522	21,455	22,007		18,371	19,302	19,688	106	2,334	535
	IFE24-105	5,872	6,426	6,861		5,033	5,332	5,439	55	2,081	120
	IFE24-140	7,577	8,132	8,568		5,698	5,899	6,017	55	2,081	135
	IFE34-175	8,623	9,454	9,613		7,156	7,713	7,867	76	2,334	285
	IFE24-230	11,853	12,474	12,842		9,929	10,722	10,936	76	2,081	315
P I	IFE24-325	16,607	17,229	17,597	No longer available	14,058	14,907	15,205	76	2,081	350
	IFE34-390	17,559	18,492	19,044		15,403	16,440	16,771	106	2,334	425
	IFE34-510	19,992	20,925	21,477		18,724	20,124	20,529	106	2,334	530

1. Electric defrost models include fixed defrost termination and fan delay controls.
2. Standard motor wiring is single phase (208/230V/1 or 460V/1.)
3. Standard heater wiring is 3 phase.(208/230V/3, 460V/3).
4. \*\* These 460V/1 models use 1/3 HP motors for all units.

Specify voltage when ordering.  
See page 24 for voltage codes.

† EC motors are not available for 575V applications.

**NOTE:** Units with dual speed motors include a relay which controls motor speed when wired to the room T-stat. Field wiring is required unless T-Stat is factory mounted.  
**Dual speed EC motors are compliant with California Title 24 regulations.**

**INTER-FLO • HOT GAS/ 3 PIPE DEFROST**

Model Number	Electronically Commutated Motors†					Single Speed PSC motors				Insulated Drain Pan	Heat Exchanger Accumulator	Approx. Ship Wt. (LBS.)	
	Single Speed		Dual Speed		Variable Speed		115V/1	230V/1	460V/1				575V/1
	115V/1	230V/1	230V/1	460V/1**	115V/1	230V/1							
6 F P I	IFH26-130	\$8,474	\$8,899	\$9,028	\$9,463	No longer available	\$6,862	\$7,301	\$7,618	\$7,770	\$2,081	Discontinued	125
	IFH26-150	10,443	10,547	10,997	11,432		8,545	8,647	9,038	9,188	2,081	Discontinued	140
	IFH36-185	12,881	13,098	13,713	14,366		11,287	11,522	12,144	12,370	2,334	Discontinued	295
	IFH26-270	16,056	16,453	16,676	17,045		14,616	15,022	15,781	15,932	2,081	Discontinued	320
	IFH26-320	17,926	18,380	18,548	18,916		15,628	16,073	17,107	17,193	2,081	Discontinued	365
	IFH36-385	20,729	20,953	21,661	22,213		18,436	18,668	19,786	20,028	2,334	Discontinued	450
4 F P I	IFH36-460	24,440	24,816	25,373	25,924	No longer available	21,430	21,800	23,134	23,426	2,334	Discontinued	490
	IFH36-520	26,353	26,836	27,284	27,837		23,369	23,848	25,161	25,473	2,334	Discontinued	535
	IFH24-105	8,128	8,543	8,682	9,118		6,627	7,056	7,545	7,696	2,081	Discontinued	120
	IFH24-140	9,707	10,114	10,262	10,696		8,262	8,684	9,305	9,492	2,081	Discontinued	135
	IFH34-175	12,403	12,626	13,234	13,394		10,833	11,071	11,783	12,019	2,334	Discontinued	285
	IFH24-230	15,782	15,979	16,403	16,771		14,247	14,451	15,061	15,363	2,081	Discontinued	315
P I	IFH24-325	19,898	20,249	20,519	20,887	No longer available	17,873	18,220	19,263	19,651	2,081	Discontinued	350
	IFH34-390	22,827	23,171	23,760	24,312		20,113	20,459	21,737	22,172	2,334	Discontinued	425
	IFH34-510	23,735	24,117	24,667	25,219		20,636	21,007	22,396	22,845	2,334	Discontinued	530

1. Hot Gas 3 -Pipe defrost models include factory installed fixed defrost terminator and fan delay controls.
2. \*\* These 460V/1 models use 1/3 HP motors for all units.
3. \*\* These 460V/1 models use 1/3 HP motors for all units.

Specify voltage when ordering.  
See page 24 for voltage codes.

† EC motors are not available for 575V applications.

**NOTE:** Units with dual speed motors include a relay which controls motor speed when wired to the room T-stat. Field wiring is required unless T-Stat is factory mounted.  
**Dual speed EC motors are compliant with California Title 24 regulations.**

**INTER-FLO • HOT GAS/ REVERSE CYCLE MODELS**

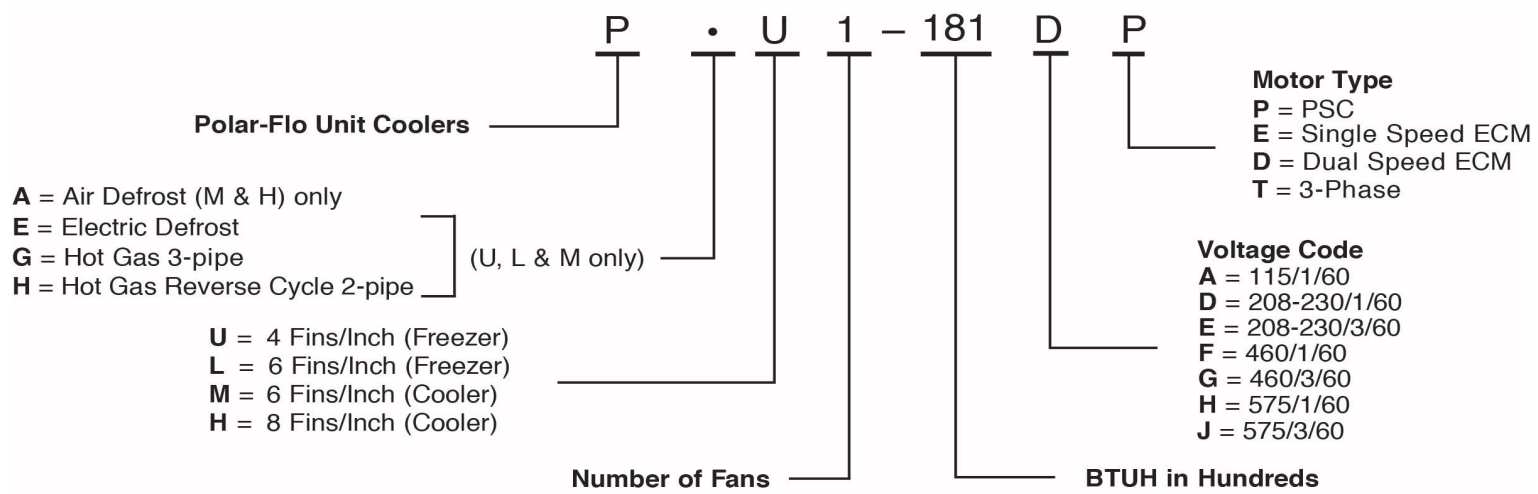
MODEL NUMBER	Electronically Commutated Motors†					Single Speed PSC motors				Insulated Drain Pan	Tev Bypass Check Valve	Approx. Ship Wt. (LBS.)	
	Single Speed		Dual Speed		Variable Speed		115V/1	230V/1	460V/1				575V/1
	115V/1	230V/1	230V/1	460V/1**	115V/1	230V/1							
6 F P I	ITG26-130	\$7,586	\$8,012	\$8,140	\$8,575	No longer available	\$5,976	\$6,414	\$6,735	\$6,867	\$2,081	\$409	125
	ITG26-150	9,557	9,662	10,111	10,547		7,660	7,762	8,154	8,316	2,081	409	140
	ITG36-185	10,550	10,715	11,381	12,034		8,955	9,138	9,859	10,056	2,334	409	295
	ITG26-270	13,686	13,930	14,307	14,675		12,247	12,499	13,285	13,551	2,081	409	320
	ITG26-320	15,478	15,850	16,101	16,467		13,182	13,544	14,601	14,892	2,081	839	365
	ITG36-385	18,092	18,351	19,026	19,578		15,801	16,064	17,187	17,530	2,334	839	450
4 F P I	ITG36-460	20,410	20,859	21,343	21,894	No longer available	17,399	17,845	19,274	19,658	2,334	839	490
	ITG36-520	22,409	22,890	23,341	23,893		19,426	19,902	21,308	21,734	2,334	839	535
	ITG24-105	7,246	7,655	7,800	8,235		5,745	6,169	6,662	6,795	2,081	409	120
	ITG24-140	8,816	9,226	9,370	9,805		7,372	7,797	8,421	8,588	2,081	409	135
	ITG34-175	10,133	10,282	10,965	11,123		8,562	8,728	9,469	9,658	2,334	409	285
	ITG24-230	13,316	13,558	13,937	14,305		11,781	12,032	12,411	12,659	2,081	409	315
P I	ITG24-325	17,475	17,733	18,097	18,465	No longer available	15,449	15,704	16,210	16,537	2,081	839	350
	ITG34-390	19,846	20,194	20,779	21,331		17,133	17,481	18,371	18,739	2,334	839	425
	ITG34-510	21,696	22,083	22,630	23,182		18,599	18,974	20,364	20,771	2,334	839	530

1. Liquid (TXV Bypass) check valve is shipped loose for field installation. Consult factory for installed liquid check valve pricing.
2. Hot Gas Reverse Cycle models include factory installed fixed defrost terminator and fan delay controls.
3. \*\* These 460V/1 models use 1/3 HP motors for all units. - All Models

Specify voltage when ordering.  
See page 24 for voltage codes.

**NOTE:** Units with dual speed motors include a relay which controls motor speed when wired to the room T-stat. Field wiring is required unless T-Stat is factory mounted.  
† EC motors are not available for 575V applications.  
**Dual speed EC motors are compliant with California Title 24 regulations.**

# POLAR-FLO HIGH PERFORMANCE WAREHOUSE UNIT COOLERS



### STANDARD FEATURES

- All units suitable for R404A, R507, R407A, R407C, R407F, R448A, R449A
- Textured Aluminum Construction
- U.L. approved epoxy coated wire fan guards
- All 2 through 6 fan models shipped upright for easier installation
- Adjustable defrost termination and fan delay
- PSC motors with overload protection
- All electrical components are factory wired to a terminal board, and with connection points clearly marked for easy identification
- Fully Partitioned fan sections

### ORDERING INFORMATION REQUIRED

1. Model number
2. Motor electrical wiring connections (voltage, phase, frequency)
3. Heater wiring connections (voltage, phase, frequency)
4. Evaporator temperature, T.D. and refrigerant type

# POLAR-FLO HIGH PERFORMANCE WAREHOUSE UNIT COOLERS

## OPTIONS

DESCRIPTION	LIST PRICE
Air Straightener - Fan Guards (price per fan)	\$506
Copper Finned Coil	Contact factory
Coated Coil (ElectroFin, Bronz-Glow, etc.) available for low temperature electric and hot gas models	Contact factory

### AIR DEFROST - ROOM TEMPERATURE 35°F AND ABOVE

Model Number	Electronically Commutated Motors <sup>1</sup>				Single Speed PSC Motors <sup>1</sup>				Inherent 3 Phase Motors	
	Single Speed	Dual Speed			115V/1	208-230V/1	460V/1	575V/1	208-230V/3	460V/3
	115V / 230V/1	115V/1	208-230V/1	460V/1						
PAH1-182	\$6,083	\$6,379	\$6,394	\$6,578	\$5,261	\$5,261	\$5,527	\$5,637	N/A	N/A
PAH1-232	6,785	7,080	7,096	7,280	5,962	5,962	6,472	6,603	N/A	N/A
PAH2-300	10,192	10,784	10,814	11,183	8,548	8,548	8,831	9,008	N/A	N/A
PAH2-365	11,180	11,772	11,802	12,170	9,536	9,536	10,002	10,204	N/A	N/A
PAH2-433	12,976	13,568	13,598	13,965	11,332	11,332	11,891	12,128	N/A	N/A
PAH2-490	14,329	14,920	14,950	15,318	12,684	12,684	13,316	13,583	N/A	N/A
PAH3-530	14,754	15,643	15,687	16,239	12,290	12,290	12,833	13,092	N/A	N/A
PAH3-648	16,404	17,292	17,337	17,889	13,938	13,938	14,366	14,654	N/A	N/A
PAH3-736	19,634	20,521	20,567	21,119	17,167	17,167	17,898	18,257	N/A	N/A
PAH4-866	20,489	21,673	21,734	22,469	17,202	17,202	18,066	18,428	N/A	N/A
PAH4-980	22,241	23,424	23,484	24,221	18,953	18,953	20,076	20,479	N/A	N/A
PAH4-1100	24,229	25,411	25,472	26,207	20,940	20,940	21,994	22,434	N/A	N/A
PAH4-1452†	33,583	N/A	35,152	35,726	N/A	29,635	31,113	31,736	Contact Factory	
PAH4-1821†	41,359	N/A	42,928	43,500	N/A	37,410	39,285	40,071		
PAH5-2275†	44,207	N/A	46,170	46,884	N/A	39,271	41,758	42,911		
PAH6-2730†	52,672	N/A	55,025	55,885	N/A	46,748	48,640	49,613		
PAM1-164	5,911	6,208	6,221	6,406	5,089	5,089	5,341	5,450	N/A	N/A
PAM1-209	6,711	7,006	7,022	7,289	5,888	5,888	6,177	6,299	N/A	N/A
PAM2-270	10,190	10,782	10,812	11,180	8,546	8,546	8,976	9,156	N/A	N/A
PAM2-329	11,135	11,726	11,756	12,124	9,492	9,492	9,966	10,167	N/A	N/A
PAM2-390	12,627	13,218	13,249	13,617	10,982	10,982	11,526	11,756	N/A	N/A
PAM2-441	14,057	14,648	14,680	15,047	12,414	12,414	13,026	13,287	N/A	N/A
PAM3-583	15,047	15,934	15,980	16,532	12,582	12,582	13,193	13,454	N/A	N/A
PAM3-662	16,383	17,271	17,316	17,867	13,918	13,918	14,413	14,702	N/A	N/A
PAM4-780	19,412	20,595	20,655	21,391	16,123	16,123	16,597	16,929	N/A	N/A
PAM4-882	20,689	21,872	21,933	22,668	17,401	17,401	17,904	18,262	N/A	N/A
PAM4-1100†	24,820	N/A	26,389	26,962	N/A	20,872	22,508	22,957	N/A	N/A
PAM4-1320†	33,451	N/A	35,020	35,592	N/A	29,501	30,704	31,320	Contact Factory	
PAM4-1656†	35,549	N/A	37,119	37,692	N/A	31,599	32,532	33,185		
PAM5-2065†	40,805	N/A	42,768	44,019	N/A	35,870	38,283	39,049		
PAM6-2480†	50,274	N/A	52,234	53,486	N/A	44,350	45,476	46,385		

MODEL NUMBER	HT.EXCH @10 T.D./R404A		Insulated Drain Pan	Approx. Ship Wt. (LBS)
	MODEL	LIST		
PAH1-182	HX-150	\$363	\$2,713	210
PAH1-232	HX-150	363	2,713	230
PAH2-300	HX-250	579	3,040	370
PAH2-365	HX-250	579	3,040	410
PAH2-433	HX-250	579	3,040	435
PAH2-490	HX-250	579	3,040	458
PAH3-530	HX-250	579	3,364	550
PAH3-648	HX-350	594	3,364	600
PAH3-736	HX-350	594	3,364	635
PAH4-866	HX-350	594	3,641	690
PAH4-980	HX-500	942	3,641	746
PAH4-1100	(2) HX-350	1,189	3,641	785
PAH4-1452†	(2) HX-350	1,189	3,641	905
PAH4-1821†	(2) HX-500	1,883	3,641	930
PAH5-2275†	(2) HX-500	1,883	3,973	1,160
PAH6-2730†	(2) HX-500	1,883	4,302	1,395

MODEL NUMBER	HT.EXCH @10 T.D./R404A		Insulated Drain Pan	Approx. Ship Wt. (LBS)
	MODEL	LIST		
PAM1-164	HX-150	\$363	\$2,713	200
PAM1-209	HX-150	363	2,713	220
PAM2-270	HX-250	579	3,040	360
PAM2-329	HX-250	579	3,040	400
PAM2-390	HX-250	579	3,040	425
PAM2-441	HX-250	579	3,040	446
PAM3-583	HX-350	594	3,364	585
PAM3-662	HX-350	594	3,364	620
PAM4-780	HX-350	594	3,641	675
PAM4-882	HX-350	594	3,641	726
PAM4-1100†	(2) HX-350	1,189	3,641	830
PAM4-1320†	(2) HX-350	1,189	3,641	885
PAM4-1656†	(2) HX-500	1,883	3,641	910
PAM5-2065†	(2) HX-500	1,883	3,973	1,135
PAM6-2480†	(2) HX-500	1,883	4,302	1,365

1. Motors are single phase. 3 thru 6 fan models are delta wired for 3 phase supply voltage unless otherwise specified.

2. Single speed Electronically Commutated motors are not available in 460V or 575V.

**Dual speed EC motors are compliant with California Title 24 regulations.**

† 115V motors are not available for these models.

230V motors are suitable for 208V operation.

**Specify voltage and motor type when ordering. See page 26 for codes and nomenclature.**

**POLAR-FLO**  
**HIGH PERFORMANCE WAREHOUSE UNIT COOLERS**

**ELECTRIC DEFROST - LOW TEMPERATURE - BELOW +20°F ROOM**

Model Number	Electronically Commutated Motors			Single Speed PSC Motors			3 Phase Motors		Ht. Exch @10° TD		Insulated Drain Pan	Approx. Ship Wt. (LBS)
	Single Speed	Dual Speed		230V/1	460V/1	575V/1	208-230V/3	460V/3	MODEL	LIST		
	208-230V/1 ††	208-230V/1	460V/1						MODEL	LIST		
PEL1-125	N/A	N/A	N/A	\$5,687	\$6,190	\$6,315	N/A	N/A	HX-150	\$363	\$2,713	180
PEL1-152	N/A	N/A	N/A	6,309	6,988	7,128	N/A	N/A	HX-150	363	2,713	200
PEL1-193	N/A	N/A	N/A	7,788	8,297	8,462	N/A	N/A	HX-150	363	2,713	220
PEL2-240	N/A	N/A	N/A	10,738	11,278	11,503	N/A	N/A	HX-250	579	3,040	360
PEL2-304	N/A	N/A	N/A	11,727	12,314	12,560	N/A	N/A	HX-250	579	3,040	400
PEL2-361	\$15,101	\$15,886	\$16,172	13,126	13,778	14,054	Contact Factory		HX-350	594	3,040	425
PEL2-408	16,186	16,971	17,257	14,212	14,411	14,698			HX-350	594	3,040	446
PEL3-445	17,676	18,852	19,282	14,713	14,879	15,176			HX-500	942	3,364	525
PEL3-540	19,701	20,878	21,308	16,739	17,580	17,933			HX-500	942	3,364	585
PEL3-613	21,188	22,365	22,796	18,227	19,102	19,484			HX-500	942	3,364	620
PEL3-660	23,284	24,461	24,890	20,323	21,245	21,672			HX-500	942	3,364	645
PEL4-722	24,789	26,359	26,932	20,841	22,828	23,284			HX-500	942	3,641	675
PEL4-817	30,606	32,176	32,749	26,656	27,991	28,551			HX-500	942	3,641	726
PEL4-950*	33,523	35,093	35,666	29,576	30,177	30,782			HX-500	942	3,641	850
PEL4-1100*	33,918	35,487	36,058	29,968	31,093	31,715			(2) HX-500	1,883	3,641	885
PEL4-1260*	39,114	40,684	41,256	35,166	35,934	36,655			(2) HX-500	1,883	3,641	900
PEL4-1380*	42,300	43,870	44,442	38,351	39,337	40,125			(2) HX-500	1,883	3,641	910
PEL5-1575*	52,781	54,742	55,459	47,845	51,486	52,518			(2) HX-500	1,883	3,973	1,125
PEL5-1725*	56,418	58,379	59,097	51,482	53,129	56,521			(2) HX-500	1,883	3,973	1,175
PEL6-1890*	61,761	64,116	64,976	56,257	60,033	61,234			(2) HX-500	1,883	4,302	1,345
PEL6-2070*	69,175	71,529	72,389	63,252	64,561	65,853			(2) HX-500	1,883	4,302	1,365
PEU1-118	N/A	N/A	N/A	6,503	6,828	N/A			N/A	N/A	HX-150	363
PEU2-236	N/A	N/A	N/A	11,356	11,919	N/A	N/A	N/A	HX-250	579	3,040	370
PEU2-355	16,511	17,687	18,117	14,536	14,739	15,034	Contact Factory		HX-350	594	3,040	440
PEU3-474	19,899	21,469	22,043	16,937	17,054	17,396			HX-350	594	3,364	570
PEU4-711	25,612	27,181	27,754	21,663	21,945	22,386			HX-500	942	3,641	665
PEU4-851*	33,026	34,596	35,170	29,076	29,308	29,897			(2) HX-500	1,883	3,641	875
PEU4-1080*	37,932	39,501	40,074	33,983	35,080	35,783			(2) HX-500	1,883	3,641	900
PEU5-1350*	52,228	54,189	54,906	47,292	48,033	48,995			(2) HX-500	1,883	3,973	1,125
PEU6-1620*	65,560	67,913	68,771	59,635	64,385	65,673			(2) HX-500	1,883	4,302	1,350

**ELECTRIC DEFROST - MEDIUM TEMPERATURE - ABOVE + 30°F ROOM**

Model Number	Electronically Commutated Motors			Single Speed PSC Motors			3 Phase Motors		Ht. Exch @10° TD		Insulated Drain Pan	Approx. Ship Wt. (LBS)
	Single Speed	Dual Speed		230V/1	460V/1	575V/1	208-230V/3	460V/3	MODEL	LIST		
	208-230V/1 ††	208-230V/1	460V/1						MODEL	LIST		
PEM1-164	\$7,359	\$7,670	\$7,854	\$6,538	\$6,871	\$7,009	N/A	N/A	HX-150	\$363	\$2,713	200
PEM1-209	8,526	8,837	9,020	7,703	8,215	8,377	N/A	N/A	HX-150	363	2,713	220
PEM2-270	11,594	12,215	12,584	9,951	10,605	10,818	N/A	N/A	HX-250	579	3,040	360
PEM2-329	13,094	13,716	14,083	11,449	12,203	12,448	N/A	N/A	HX-250	579	3,040	400
PEM2-390	15,411	16,032	16,400	13,766	14,305	14,592	N/A	N/A	HX-250	579	3,040	425
PEM2-441	16,842	17,463	17,831	15,198	15,958	16,278	N/A	N/A	HX-250	579	3,040	446
PEM3-583	20,046	20,979	21,530	17,580	18,750	19,125	Contact Factory		HX-350	594	3,364	585
PEM3-662	21,592	22,524	23,077	19,127	19,896	20,295			HX-350	594	3,364	620
PEM4-780	25,932	27,176	28,075	22,644	22,890	23,349			HX-350	594	3,641	675
PEM4-882	30,106	31,349	32,247	26,817	27,811	28,367			HX-350	594	3,641	726
PEM4-1100	34,206	35,775	36,348	30,257	31,769	32,405			(2) HX-350	1,189	3,641	830
PEM4-1320	41,592	43,161	43,735	37,644	40,121	40,923			(2) HX-350	1,189	3,641	885
PEM4-1656	54,016	55,585	56,159	50,068	51,780	52,815			(2) HX-500	1,883	3,641	910
PEM5-2065	66,688	68,649	69,367	61,751	63,281	64,546			(2) HX-500	1,883	3,973	1,140
PEM6-2480	77,411	79,766	80,626	68,738	70,238	71,644			(2) HX-500	1,883	4,302	1,365

1. Standard motors are single phase. Three thru six fan models are delta wired for 3 phase supply unless otherwise specified.

2. Single speed Electronically Commutated motors are not available in 460V or 575V.

230V motors are suitable for 208V operation.

**Dual speed EC motors are compliant with California Title 24 regulations.**

\* - 2 liq. and suction connections per evaporator - 2 TXV's needed when ordering with unit.

EC motors are not available for models with 1625 RPM

†† ECM motors only available in single phase. Can be delta wired for 3 phase operation.

**Ordering Information Required:**

1. Model Number.
2. Motor type
3. Electrical connections (voltage/phase/frequency). See page 26 for codes and nomenclature.
4. Evaporator temperature, T.D. and refrigerant type

**POLAR-FLO  
HOT GAS 3 PIPE DEFROST**

**LOW TEMPERATURE - BELOW + 20°F ROOM**

MODEL NUMBER	Electronically Commutated Motors			Single Speed PSC Motors			3 Phase Motors		Ht. Exch./Re-Evap No Longer Available	Insulated Drain Pan	Approx. Ship Wt. (LBS.)		
	Single Speed	Dual Speed		230V/1	460V/1	575V/1	208-230V/3	460V/3					
	230V/1 ††	230V/1	460V/1										
PHL1-125	N/A	N/A	N/A	\$7,003	\$7,353	N/A	N/A	N/A	Discontinued	\$2,713	180		
PHL1-152	N/A	N/A	N/A	7,583	7,960	N/A	N/A	N/A	Discontinued	2,713	200		
PHL1-193	N/A	N/A	N/A	8,871	9,308	N/A	N/A	N/A	Discontinued	2,713	220		
PHL2-240	N/A	N/A	N/A	12,391	13,010	N/A	N/A	N/A	Discontinued	3,040	370		
PHL2-304	N/A	N/A	N/A	13,368	14,041	N/A	N/A	N/A	Discontinued	3,040	400		
PHL2-361	\$18,055	\$18,841	\$19,127	16,082	16,883	\$17,221	N/A	N/A	Discontinued	3,040	425		
PHL2-408	19,824	20,609	20,895	17,850	18,740	19,115	N/A	N/A	Discontinued	3,040	446		
PHL3-445	21,823	23,001	23,429	18,860	19,812	20,209	Contact Factory		Discontinued	3,364	525		
PHL3-540	23,674	24,850	25,279	20,711	21,751	22,186			Discontinued	3,364	585		
PHL3-613	24,518	25,694	26,124	21,705	22,787	23,245			Discontinued	3,364	620		
PHL3-660	26,362	27,539	27,968	23,549	24,731	25,224			Discontinued	3,364	645		
PHL4-722	30,551	32,120	32,693	26,444	27,767	28,323			Discontinued	3,641	675		
PHL4-817	35,602	37,172	37,744	31,494	33,064	33,726			Discontinued	3,641	726		
PHL4-950*	40,475	42,044	42,618	36,605	38,437	39,206			Discontinued	3,641	850		
PHL4-1100*	45,848	47,418	47,990	41,898	43,995	44,874			Discontinued	3,641	885		
PHL4-1260*	52,304	53,873	54,445	48,355	50,767	51,783			Discontinued	3,641	900		
PHL4-1380*	57,596	59,166	59,739	53,647	56,331	57,457			Discontinued	3,641	910		
PHU1-118	N/A	N/A	N/A	7,485	7,855	N/A			N/A	N/A	Discontinued	2,713	180
PHU2-236	N/A	N/A	N/A	13,330	13,993	N/A			N/A	N/A	Discontinued	3,040	370
PHU2-355	20,362	21,147	21,433	18,387	19,304	19,690	N/A	N/A	Discontinued	3,040	440		
PHU3-474	26,548	27,724	28,154	23,586	24,335	24,822	Contact Factory		Discontinued	3,364	570		
PHU4-711	37,360	38,536	38,966	33,410	35,076	35,777			Discontinued	3,641	665		
PHU4-851*	42,943	44,120	44,550	38,994	40,945	41,764			Discontinued	3,641	875		
PHU4-1080*	55,161	56,337	56,766	51,211	53,773	54,850			Discontinued	3,641	900		

**MEDIUM TEMPERATURE - ABOVE + 28°F ROOM**

MODEL NUMBER	Electronically Commutated Motors			Single Speed PSC Motors			3 Phase Motors		Ht. Exch./Re-Evap No Longer Available	Insulated Drain Pan	Approx. Ship Wt. (LBS.)
	Single Speed	Dual Speed		115V/230V	460V/1	575V/1	208-230V/3	460V/3			
	115/230V/1 ††	230V/1	460V/1								
PHM1-164	\$8,098	\$8,408	\$8,594	\$7,277	\$7,639	\$7,792	N/A	N/A	Discontinued	\$2,713	200
PHM1-209	9,010	9,320	9,505	8,220	8,628	8,799	N/A	N/A	Discontinued	2,713	220
PHM2-270	12,893	13,515	13,882	11,282	11,844	12,082	N/A	N/A	Discontinued	3,040	360
PHM2-329	14,032	14,654	15,022	12,430	13,059	13,319	N/A	N/A	Discontinued	3,040	400
PHM2-390	16,428	17,049	17,417	14,850	15,585	15,896	N/A	N/A	Discontinued	3,040	425
PHM2-441	20,017	20,639	21,007	18,274	19,186	19,569	N/A	N/A	Discontinued	3,040	446
PHM3-583	23,364	24,295	24,848	20,773	21,813	22,249	Contact Factory		Discontinued	3,364	585
PHM3-662	24,386	25,319	25,870	21,921	23,016	23,478			Discontinued	3,364	620
PHM4-780	27,482	28,724	29,461	24,194	25,399	25,907			Discontinued	3,641	675
PHM4-882	32,330	33,575	34,311	29,043	30,496	31,104			Discontinued	3,641	726
PHM4-1100†	38,238	39,807	40,381	34,290	36,016	36,738			Discontinued	3,641	830
PHM4-1320†	44,618	46,187	46,760	40,669	42,696	43,551			Discontinued	3,641	885
PHM4-1656†	56,364	57,933	58,506	52,414	55,033	56,135			Discontinued	3,641	910

† - Models not available with 115V motors.

230V motors are suitable for 208V operation.

\* - Two liquid and suction connections per evaporator - 2 TXV's required.

EC motors not available for models with 1625 RPM motors.

1. Standard motors are single phase. 3 thru 6 fan models are delta wired for 3 phase supply.

2. Single speed Electronically Commutated motors are not available in 460V or 575V.

3. Models with 24" fans not available with 115V motors.

**Dual speed EC motors are compliant with California Title 24 regulations.**

†† ECM motors only available in single phase. Can be delta wired for 3 phase operation.

**Ordering Information Required:**

1. Model Number
2. Electrical connections. See page 26 for voltage codes and an example of nomenclature layout.
3. Evaporator temperature, T.D. and refrigerant type

## POLAR-FLO HOT GAS 2-PIPE REVERSE CYCLE

### LOW TEMPERATURE - BELOW + 20°F ROOM

MODEL NUMBER	Electronically Commutated Motors			Single Speed PSC Motors			3 Phase Motors		Insulated Drain Pan	Ht. Exch @10° TD		Approx. Ship Wt. (LBS.)
	Single Speed	Dual Speed								MODEL	LIST	
	230V/1 ††	230V/1	460V/1	230V/1	460V/1	575V/1	208-230V/3	460V/3				
PGL1-125	N/A	N/A	N/A	\$6,138	\$6,446	N/A	N/A	N/A	\$2,713	HX-150	\$363	180
PGL1-152	N/A	N/A	N/A	6,724	7,055	N/A	N/A	N/A	2,713	HX-150	363	200
PGL1-193	N/A	N/A	N/A	7,864	8,264	N/A	N/A	N/A	2,713	HX-150	363	220
PGL2-240	N/A	N/A	N/A	10,864	11,406	N/A	N/A	N/A	3,040	HX-250	579	370
PGL2-304	N/A	N/A	N/A	11,848	12,442	N/A	N/A	N/A	3,040	HX-250	579	400
PGL2-361	\$15,448	\$15,841	\$15,985	13,473	14,017	\$14,298	Contact Factory		3,040	HX-350	594	425
PGL2-408	16,293	16,686	16,828	14,319	14,892	15,190			3,040	HX-350	594	446
PGL3-445	20,882	21,274	21,417	17,446	18,145	18,508			3,364	HX-500	942	525
PGL3-540	22,725	23,118	23,261	19,377	20,152	20,555			3,364	HX-500	942	585
PGL3-613	23,248	23,641	23,784	20,019	20,823	21,240			3,364	HX-500	942	620
PGL3-660	24,720	25,112	25,254	21,403	22,257	22,701			3,364	HX-500	942	645
PGL4-722	27,806	28,199	28,342	23,658	24,489	24,980			3,641	HX-500	942	675
PGL4-817	32,316	32,708	32,850	28,169	28,735	29,308			3,641	HX-500	942	726
PGL4-950*	35,414	35,806	35,951	31,386	32,324	32,970			3,641	HX-500	942	850
PGL4-1100*	36,892	37,283	37,426	32,824	33,377	34,044			3,641	(2) HX-500	1,883	885
PGL4-1260*	41,213	41,606	41,750	37,185	38,306	39,071			3,641	(2) HX-500	1,883	900
PGL4-1380*	45,317	45,709	45,853	41,289	43,041	43,904			3,641	(2) HX-500	1,883	910
PGL5-1575*	50,221	50,613	50,756	45,284	51,056	52,078			3,973	(2) HX-500	1,883	1,125
PGL5-1725*	54,242	54,634	54,777	49,305	52,064	53,108			3,973	(2) HX-500	1,883	1,175
PGL6-1890*	61,591	61,982	62,125	55,904	57,858	59,017			4,302	(2) HX-500	1,883	1,250
PGL6-2070*	66,668	67,060	67,203	61,337	66,404	67,732			4,302	(2) HX-500	1,883	1,300
PGU1-118	N/A	N/A	N/A	6,425	6,749	N/A	N/A	N/A	\$2,713	HX-150	363	180
PGU2-236	N/A	N/A	N/A	11,454	12,031	N/A	N/A	N/A	3,040	HX-250	579	370
PGU2-355	18,581	19,366	19,652	16,149	16,742	18,581	Contact Factory		3,040	HX-350	594	440
PGU3-474	21,958	23,134	23,563	19,454	20,443	21,958			3,364	HX-350	594	570
PGU4-711	29,727	31,297	31,869	22,383	22,741	29,727			3,641	HX-500	942	665
PGU4-851*	35,933	37,502	38,076	29,062	30,060	35,933			3,641	(2) HX-500	1,883	875
PGU4-1080*	39,438	41,007	41,581	33,716	36,028	39,438			3,641	(2) HX-500	1,883	900
PGU5-1350*	53,382	55,345	56,060	47,594	50,456	53,382			3,973	(2) HX-500	1,883	1,150
PGU6-1620*	70,371	55,345	71,977	66,108	71,568	70,371		4,302	(2) HX-500	1,883	1,275	

### MEDIUM TEMPERATURE - ABOVE + 30°F ROOM

MODEL NUMBER	Electronically Commutated Motors			Single Speed PSC Motors			3 Phase Motors		Insulated Drain Pan	Ht. Exch @10° TD		Approx. Ship Wt. (LBS.)
	Single Speed	Dual Speed								MODEL	LIST	
	115V / 230V/1	230V/1	460V/1	230V/1	460V/1	575V/1	208-230V/3	460V/3				
PGM1-164	\$7,666	\$7,977	\$8,161	\$6,795	\$7,140	\$7,282	N/A	N/A	\$2,713	HX-150	\$363	200
PGM1-209	8,553	8,864	9,047	7,714	8,093	8,254	N/A	N/A	2,713	HX-150	363	220
PGM2-270	12,018	12,641	13,008	10,343	10,865	11,082	N/A	N/A	3,040	HX-250	579	360
PGM2-329	13,132	13,753	14,122	11,454	12,026	12,266	N/A	N/A	3,040	HX-250	579	400
PGM2-390	15,527	16,148	16,516	13,850	14,545	14,836	N/A	N/A	3,040	HX-250	579	425
PGM2-441	19,876	20,499	20,868	17,938	18,838	19,215	N/A	N/A	3,040	HX-250	579	446
PGM3-583	23,217	24,149	24,701	20,331	21,342	21,767	Contact Factory		3,364	HX-350	594	585
PGM3-662	24,348	25,280	25,833	21,464	22,538	22,987			3,364	HX-350	594	620
PGM4-780	25,562	26,806	27,542	21,880	25,042	25,543			3,641	HX-350	594	675
PGM4-882	30,344	31,588	32,323	26,563	30,902	31,519			3,641	HX-350	594	726
PGM4-1100†	36,960	38,529	39,101	32,694	34,331	35,018			3,641	(2) HX-350	1,189	830
PGM4-1320†	41,833	43,402	43,974	37,686	39,569	40,359			3,641	(2) HX-350	1,189	885
PGM4-1656†	49,898	51,469	52,040	44,864	49,611	50,602		3,641	(2) HX-500	1,883	910	
PGM5-2065†	55,324	57,286	58,001	50,288	62,007	63,246		3,973	(2) HX-500	1,883	1,130	
PGM6-2480†	67,168	69,523	70,383	61,872	71,485	72,915		4,302	(2) HX-500	1,883	1,250	

† - These models not available with 115V motors.

\* Two liquid and suction connections per evaporator - 2 TX's required.

1. Standard motors are single phase. Three thru six fan models are delta wired for 3 phase supply voltage.

2. List adder - Liquid TEV bypass check valve, shipped loose. \$425 (Through 270),

\$1,169 (Through 583), \$1,852 (Through 2840).

3. Single speed Electronically Commutated motors are not available in 460V or 575V.

4. Models with 24" fans not available with 115V motors.

230V motors are suitable for 208V operation.

**Dual speed EC motors are compliant with California Title 24 regulations.**

†† ECM motors only available in single phase. Can be delta wired for 3 phase operation.

EC motors not available for models with 1625 RPM motors.

Ordering Information Required:

1. Model Number.

2. Electrical connections (voltage/phase/frequency). See page 26 for codes and nomenclature layout.

3. Evaporator temperature, T.D. and refrigerant type.

## SYSTEM PRICING EXAMPLES

<b>Example 1:</b>	5 HP, R-404A +35°F cooler matched with 2 unit coolers, 95°F summer ambient, 10°F winter ambient.						
	<u>QTY.</u>						<u>LIST PRICE</u>
	1	WFDS05M4SEA Outdoor Condensing Unit 230/3/60 53,000 BTUH @ 25° S.T. and 95 ambient					\$24,611
	2	WL6A235AE Unit Coolers 115V/1/60					14,352
		<u>Field installed component:</u>					
	2	Thermostatic expansion valves					746
	1	Liquid line solenoid valve					353
	1	Room thermostat					319
		<u>Optional accessories</u>					
	1	Air defrost timer installed					621
						<b>TOTAL LIST PRICE</b>	<b>\$41,002</b>
	1	Additional 4 year Compressor Protection Plan				NET PRICE	\$509
<b>Example 2:</b>		10HP, R-404A, -10°F Freezer, matched with 2 unit coolers 95°F Summer ambient, 35°F winter ambier					
	<u>QTY.</u>						
	1	WFDS10L4SEA Outdoor Condensing 230/3/60 50,300 BTUH @ -20° S.T. and 95° ambien					\$39,184
	1	DMB35 Electric defrost provisions, factory installed					2,158
	2	PEL2-304 unit coolers, 230/1/60 motors, 230/3/60 defrost 25,150 BTUH each @ 9 T.D.					23,454
		<u>Field installed component:</u>					
	2	Thermostatic expansion valves (loose)					1,660
	1	Liquid line solenoid valve (loose)					511
	1	Room thermostat (loose)					319
		<u>Optional accessories</u>					
	1	Suction Accumulator (mounted)					1,293
	1	Oil separator (mounted)					1,594
	2	HX - 350 Heat exchangers (field installed)					1,188
						<b>TOTAL LIST PRICE</b>	<b>\$71,361</b>
	1	Additional 4 year Compressor Protection Plan				NET PRICE	\$919

## OPTIONAL SYSTEM COMPONENTS

### HEAT EXCHANGERS - Shipped Loose

MODEL NUMBER	PART NUMBER	LIST PRICE	CONNECTIONS (inches)		APPROXIMATE LENGTH (inches)
			LIQUID	SUCTION	
HX-25	105065001	\$176	1/4	1/2	12
HX-50	105065003	207	3/8	5/8	13
HX-75	105065004	284	3/8	7/8	14
HX-100	105065005	363	3/8	1-1/8	14
HX-150	105065006	419	1/2	1-1/8	14
HX-250	105065007	579	5/8	1-3/8	14
HX-350	105065008	594	5/8	1-5/8	16
HX-500	105065009	942	7/8	2-1/8	17
LHX-15	105065010	2,583	7/8	2-1/8	30
LHX-20	105065011	2,764	1-1/8	2-1/8	30
LHX-25	105065012	2,960	1-1/8	2-5/8	38

### ECONET® ENABLED UNIT COOLERS - SEE PAGES 9, 12, 20, 22

#### ECONET COMMAND CENTER Remote Mount Display for EcoNet Enabled Unit Coolers<sup>^</sup>

DESCRIPTION	PART NUMBER	LIST EACH
Shipped Loose - EcoNet Command Center for EcoNet Enabled Unit Coolers. Available for <b>NEXT-GEN ALL-TEMP, CENTER MOUNT, and LOW VELOCITY CENTER MOUNT</b> (Air or Electric Defrost Models) with EcoNet Control package installed	HETST700SYS	\$979

<sup>^</sup> The **remote mount display** allows for EcoNet Enabled Unit Coolers to be programmed, monitored and troubleshot outside of the space being cooled. The Command Center is shipped separately and includes everything in the box needed to wall mount the display.

#### ROOM THERMOSTATS

TYPE	RANGE	LIST
Mechanical - Loose	-30°F to + 100°F	\$319
Mechanical - Installed @ Evap		\$346
Electronic - Loose	-30°F to + 100°F	\$412
Electronic - Installed @ Evap		\$433

### EXPANSION VALVES

BALANCED PORT TXV'S	List	
1/4 - 3 Tons	Loose	\$373
	Installed	423
4 - 9 Tons	Loose	478
	Installed	744
10 - 30 Tons	Loose	830
	Installed	1,228
<b>Electronic Expansion Valves</b>	<b>List</b>	
1 to 15 Tons	Loose	\$1,142
	Installed	1,509
16 to 25 Tons	Loose	1,640
	Installed	2,007

1. EEV prices include cable.  
2. EEV prices DO NOT include controller.

### LIQUID LINE SOLENOID VALVE - LIST PRICE EACH

HORSEPOWER RANGE	LOOSE	MTD*
1/2 thru 3 HP	\$303	\$340
4 thru 8 HP	339	394
9 thru 10 HP	491	651
12 thru 15 HP	605	811
22 HP	772	931

\* Mounted at the evaporator. LLS mounted at the condensing unit is not available.  
For multiple evaporator systems, divide condensing unit HP by the number of evaps.

**NEXT-GEN W-SERIES • AIR COOLED CONDENSING UNITS**  
1/2 THRU 6 H.P.

**Standard Features (all models)**

- Hermetic or Scroll compressors
- Weather resistant painted galvanized steel housing on a raised galvanized steel base
- Generously sized condenser. Enhanced Copper tubing / Aluminum fins
- Integrated subcooling loop increases system efficiency
- Easy access liquid & suction line shut off valves mounted external to cabinet
- Liquid receiver with isolation valve and pressure relief plug
- **Liquid line filter/drier and sight glass with moisture indicator**
- Suction line piping (filter optional)
- Encapsulated auto reset high pressure control
- Large electrical control panel with hinged/lift off door
- Color coded wiring with point-to-point wiring diagram
- Crankcase heater
- PSC condenser fan motor(s) standard on "A" vintage models
- EC condenser fan motors(s) standard on "B" vintage models
- **Air Defrost Timer on all Medium Temp. standard models**
- **Low temp. standard models include Electric Defrost provisions**
- UL and CUL listed for outdoor use
- Adjustable low pressure control for low temp models
- Encapsulated auto reset low pressure control (medium temps)

**Flooded models (WF) also include a Flooded Head Pressure Control Valve (70°F) as a standard feature.**

**Non-flooded (WB) models also include Mild Ambient Fan Cycle Control as a standard feature.**

**Optional Components**

- Adjustable high/adjustable low pressure control
- Liquid line without components: Pipe only
- Liquid line with premium components: Replaceable core filter/drier and sight glass (Option on FM4 models)
- Suction line components: Sealed filter
- Suction line components: Replaceable core filter (Option on FM4 models)
- Suction line accumulator
- Oil separator (Option on FM4 models)
- Oversized receiver
- Pumpdown toggle switch
- Heated and insulated receiver
- Phase loss monitor
- EC fan motors (Option on Vintage "A" models)
- Polyester coated condenser fins
- 316 Stainless steel cabinet
- Crankcase pressure regulating valve
- Thru-the-door non-fused disconnect switch (Option on FM3 and FM4 models)
- Thru-the-door fused disconnect switch
- External fused disconnect
- Mechanical air defrost timer
- Hail/Snow guards



**MODEL NUMBER NOMENCLATURE**

CONFIGURABLE BASE MODEL

W	F	H	150	E	4S	D	A or B^	NT
Brand	Style	Compressor Style	Horsepower	Temperature Range	Refrigerant Type	Voltage Code	Vintage	Pre-Assembly Code*
W - Witt	F - Flooded B - Non-Flooded	H - Hermetic O - Scroll		E - Extended Medium L - Low M - Medium	44 - R404A Only 4S - Multiple Refrigerants	D - 208-230/1/60 E - 208-230/3/60 G - 460/3/60 M - 200-220/1/50 N - 200-220/3/50 Q - 380/3/50		NT - No Standard Defrost Timer or Standard Defrost Kit

Note:

^ A Vintage has standard PSC motor(s). B Vintage has standard EC motor(s).

\* Pre-Assembly Codes are only available on Flooded 208-230/1/60 and 208-230/3/60 models.



**NEXT-GEN W-SERIES • AIR COOLED CONDENSING UNITS**  
1/2 THRU 6 H.P.

**HERMETIC COMPRESSOR - STANDARD BASE MODEL - FLOODED**

Includes Flooded Head Pressure Control Valve, Liquid Line Kit with Filter/Drier, Sight Glass with Moisture Indicator and Defrost Provisions

Temp. Range	Cabinet Size	NOM. H.P.	Compressor Model Number	208-230/1/60			208-230/3/60			460/3/60			EC Motors† List Price Adder	4 YR Compressor Protection Plan (NET PRICE)	Approx. Ship Wt. (LBS)	
				Model Number	Standard Defrost Provision(s)	List Price	Model Number	Standard Defrost Provision(s)	List Price	Model Number	Standard Defrost Provision(s)	List Price				
MEDIUM TEMP.	FM1	0.50	RST45C1E	WFH055E4SDB	Air Defrost Timer	\$7,893								\$118	152	
		0.75	RST55C1E	WFH080E4SDB	Air Defrost Timer	7,959									118	156
		1.00	RST70C1E	WFH100E4SDB	Air Defrost Timer	8,855	WFH100E4SEB	Air Defrost Timer	\$8,756						118	167
	FM2	1.25	RST97C1E	WFH125E4SDB	Air Defrost Timer	9,274	WFH125E4SEB	Air Defrost Timer	9,171						132	195
		1.50	CS10K6E	WFH150E4SDA	Air Defrost Timer	9,534	WFH150E4SEA	Air Defrost Timer	9,504	WFH150E4SGA	Air Defrost Timer	\$10,097	\$555		132	205
		2.00	CS12K6E	WFH200E4SDA	Air Defrost Timer	10,008	WFH200E4SEA	Air Defrost Timer	10,192				555		145	228
	FM3	2.50	CS14K6E	WFH250E4SDA	Air Defrost Timer	10,764	WFH250E4SEA	Air Defrost Timer	10,586	WFH250E4SGA	Air Defrost Timer	11,699	555		145	235
		3.00	CS18K6E	WFH300E4SDA	Air Defrost Timer	11,156	WFH300E4SEA	Air Defrost Timer	10,980	WFH300E4SGA	Air Defrost Timer	11,954	555		159	253
	FM4	3.25	CS20K6E	WFH325E4SDA	Air Defrost Timer	11,274	WFH325E4SEA	Air Defrost Timer	11,053	WFH325E4SGA	Air Defrost Timer	12,208	555		159	273
	LOW TEMP.	FM1	1.00	CF04K6E	WFH100L44DA	ED-5	8,637	WFH100L44EA	ED-5	8,780				278	132	195
FM2		1.50	CF06K6E	WFH150L44DA	ED-5	8,672	WFH150L44EA	ED-5	8,824	WFH150L44GA	ED-17	9,184	278	132	195	
FM3		2.00	CF09K6E	WFH200L44DA	ED-7	9,474	WFH200L44EA	ED-7	9,875	WFH200L44GA	ED-17	10,034	555	145	243	
		3.00	CF12K6E	WFH300L44DA	ED-7	12,371	WFH300L44EA	ED-7	12,541	WFH300L44GA	ED-17	13,147	555	159	255	

**HERMETIC COMPRESSOR - NO DEFROST PROVISIONS PRE-CONFIGURED MODEL - FLOODED**

Includes Flooded Head Pressure Control Valve, Liquid Line Kit with Filter/Drier and Sight Glass with Moisture Indicator

Temp. Range	Cabinet Size	NOM. H.P.	Compressor Model Number	208-230/1/60		Cabinet Size	208-230/3/60		4 YR Compressor Protection Plan (NET PRICE)	Approx. Ship Wt. (LBS)
				Model Number	List Price		Model Number	List Price		
MEDIUM TEMP.	FM1	0.50	RST45C1E	WFH055E4SDBNT	\$7,294	FM1			\$118	152
		0.75	RST55C1E	WFH080E4SDBNT	7,360				118	156
		1.00	RST70C1E	WFH100E4SDBNT	8,256		WFH100E4SEBNT	\$8,157	118	167
	FM2	1.25	RST97C1E	WFH125E4SDBNT	8,675	FM2	WFH125E4SEBNT	8,572	132	195
		1.50	CS10K6E	WFH150E4SDANT	8,935		WFH150E4SEANT	8,905	132	205
		2.00	CS12K6E	WFH200E4SDANT	9,409		WFH200E4SEANT	9,593	145	228
	FM3	2.50	CS14K6E	WFH250E4SDANT	10,165	FM3	WFH250E4SEANT	9,987	145	235
		3.00	CS18K6E	WFH300E4SDANT	10,557		WFH300E4SEANT	10,381	159	253
	FM4	3.25	CS20K6E	WFH325E4SDANT	10,675	FM4	WFH325E4SEANT	10,454	159	273
	LOW TEMP.	FM1	1.00	CF04K6E	WFH100L44DANT	7,914	FM1	WFH100L44EANT	8,057	132
FM2		1.50	CF06K6E	WFH150L44DANT	7,949	FM2	WFH150L44EANT	8,101	132	195
FM3		2.00	CF09K6E	WFH200L44DANT	8,751	FM3	WFH200L44EANT	9,152	145	243
		3.00	CF12K6E	WFH300L44DANT	11,648	FM3	WFH300L44EANT	11,818	159	255

**HERMETIC COMPRESSOR - STANDARD BASE MODEL - NON-FLOODED**

Includes Liquid Line Kit with Filter/Drier, Sight Glass with Moisture Indicator and Defrost Provisions

Temp. Range	Cabinet Size	NOM. H.P.	Compressor Model Number	208-230/1/60			208-230/3/60			460/3/60			EC Motors† List Price Adder	4 YR Compressor Protection Plan (NET PRICE)	Approx. Ship Wt. (LBS)	
				Model Number	Standard Defrost Provision(s)	List Price	Model Number	Standard Defrost Provision(s)	List Price	Model Number	Standard Defrost Provision(s)	List Price				
MEDIUM TEMP.	FM1	0.50	RST45C1E	WBH055E4SDB	Air Defrost Timer	\$7,394								\$118	152	
		0.75	RST55C1E	WBH080E4SDB	Air Defrost Timer	7,491									118	156
		1.00	RST70C1E	WBH100E4SDB	Air Defrost Timer	8,303	WBH100E4SEB	Air Defrost Timer	\$8,203						118	167
	FM2	1.25	RST97C1E	WBH125E4SDB	Air Defrost Timer	8,710	WBH125E4SEB	Air Defrost Timer	8,626						132	195
		1.50	CS10K6E	WBH150E4SDA	Air Defrost Timer	8,977	WBH150E4SEA	Air Defrost Timer	8,967	WBH150E4SGA	Air Defrost Timer	\$9,450	\$555		132	205
		2.00	CS12K6E	WBH200E4SDA	Air Defrost Timer	9,464	WBH200E4SEA	Air Defrost Timer	9,635				555		145	228
	FM3	2.50	CS14K6E	WBH250E4SDA	Air Defrost Timer	10,177	WBH250E4SEA	Air Defrost Timer	9,999	WBH250E4SGA	Air Defrost Timer	11,116	555		145	235
		3.00	CS18K6E	WBH300E4SDA	Air Defrost Timer	10,443	WBH300E4SEA	Air Defrost Timer	10,256	WBH300E4SGA	Air Defrost Timer	11,406	555		159	253
	FM4	3.25	CS20K6E	WBH325E4SDB	Air Defrost Timer	10,749	WBH325E4SEB	Air Defrost Timer	10,535	WBH325E4SGB	Air Defrost Timer	11,695			159	273
	LOW TEMP.	FM1	1.00	CF04K6E	WBH100L44DB	ED-5	8,188	WBH100L44EB	ED-5	8,236					132	195
FM2		1.50	CF06K6E	WBH150L44DB	ED-5	8,223	WBH150L44EB	ED-5	8,284					132	195	
FM3		2.00	CF09K6E	WBH200L44DA	ED-7	9,023	WBH200L44EA	ED-7	9,314	WBH200L44GA	ED-17	9,508	555	145	243	
		3.00	CF12K6E	WBH300L44DA	ED-7	11,860	WBH300L44EA	ED-7	12,041	WBH300L44GA	ED-17	12,636	555	159	255	

Notes:

W\*H090E4S is no longer available.

† Additional price to order optional ECM condenser fan motors. Not available for 460V.

An Electric Defrost Kit must be ordered in lieu of the standard Air Defrost Timer when Extended Range Medium Temperature models are used for low temperature applications.

**NEXT-GEN W-SERIES • AIR COOLED CONDENSING UNITS**  
1/2 THRU 6 H.P.

**SCROLL COMPRESSOR - STANDARD BASE MODEL - FLOODED**

Includes Flooded Head Pressure Control Valve, Liquid Line Kit with Filter/Drier, Sight Glass with Moisture Indicator and Defrost Provisions

Temp. Range	Cabinet Size	NOM. H.P.	Compressor Model Number	208-230/1/60			208-230/3/60			460/3/60			EC Motors† List Price Adder	4 YR Compressor Protection Plan (NET PRICE)	Approx. Ship Wt. (LBS)	
				Model Number	Standard Defrost Provision(s)	List Price	Model Number	Standard Defrost Provision(s)	List Price	Model Number	Standard Defrost Provision(s)	List Price				
MEDIUM TEMP.	FM1	0.5	ZB06KAE	WFO060M4SDA	Air Defrost Timer	\$8,218	WFO060M4SEA	Air Defrost Timer	\$8,316				\$278	\$217	195	
		0.75	ZB07KAE	WFO080M4SDA	Air Defrost Timer	8,678	WFO080M4SEA	Air Defrost Timer	8,906				278	217	195	
		1.0	ZB08KAE	WFO100M4SDA	Air Defrost Timer	8,840	WFO100M4SEA	Air Defrost Timer	9,012				278	217	195	
	FM2	1.0	ZS09KAE	WFO130E4SDA	Air Defrost Timer	9,360	WFO130E4SEA	Air Defrost Timer	9,331	WFO130E4SGA	Air Defrost Timer	\$10,272	278	217	205	
		1.25	ZS11KAE	WFO150E4SDA	Air Defrost Timer	9,423	WFO150E4SEA	Air Defrost Timer	9,485	WFO150E4SGA	Air Defrost Timer	10,521	555	217	210	
	FM3	1.5	ZS13KAE	WFO180E4SDA	Air Defrost Timer	10,423	WFO180E4SEA	Air Defrost Timer	10,250	WFO180E4SGA	Air Defrost Timer	11,026	555	217	215	
		2.0	ZS15KAE	WFO200E4SDA	Air Defrost Timer	10,434	WFO200E4SEA	Air Defrost Timer	10,506	WFO200E4SGA	Air Defrost Timer	11,152	555	217	230	
	FM4	2.5	ZS19KAE	WFO250E4SDA	Air Defrost Timer	10,631	WFO250E4SEA	Air Defrost Timer	10,770	WFO250E4SGA	Air Defrost Timer	11,310	555	283	305	
		3.0	ZS21KAE	WFO300E4SDA	Air Defrost Timer	11,380	WFO300E4SEA	Air Defrost Timer	11,576	WFO300E4SGA	Air Defrost Timer	12,061	555	283	325	
		3.5	ZS26KAE	WFO350E4SDA	Air Defrost Timer	12,499	WFO350E4SEA	Air Defrost Timer	12,695	WFO350E4SGA	Air Defrost Timer	13,146	555	296	352	
		4.0	ZS29KAE	WFO400E4SDA	Air Defrost Timer	12,670	WFO400E4SEA	Air Defrost Timer	12,422	WFO400E4SGA	Air Defrost Timer	14,750	555	304	375	
		4.5	ZS33KAE	WFO450E4SDA	Air Defrost Timer	13,673	WFO450E4SEA	Air Defrost Timer	13,401	WFO450E4SGA	Air Defrost Timer	14,912	555	304	383	
		5.0	ZS38KAE	WFO500E4SDA	Air Defrost Timer	14,306	WFO500E4SEA	Air Defrost Timer	14,463	WFO500E4SGA	Air Defrost Timer	16,501	555	304	405	
	LOW TEMP.	FM1	6.0	ZS45KAE				WFO600E4SEA	Air Defrost Timer	16,049	WFO600E4SGA	Air Defrost Timer	16,501	555	304	383
			1.0	ZF03KAE	WFO100L4SDA	ED-5	9,472	WFO100L4SEA	ED-5	9,599				278	217	195
			1.3	ZF04KAE	WFO130L4SDA	ED-5	9,884	WFO130L4SEA	ED-5	10,017				278	217	195
FM2		1.5	ZF05KAE	WFO160L4SDA	ED-5	10,327	WFO160L4SEA	ED-5	10,466				278	217	195	
		2.3	ZF07KAE	WFO230L4SDA	ED-7	10,957	WFO230L4SEA	ED-5	11,106	WFO230L4SGA	ED-17	12,048	555	217	230	
FM3		2.5	ZF08KAE	WFO250L4SDA	ED-7	11,834	WFO250L4SEA	ED-6	12,045	WFO250L4SGA	ED-17	12,986	555	217	240	
		3.0	ZF09KAE	WFO300L4SDA	ED-7	12,256	WFO300L4SEA	ED-6	12,484	WFO300L4SGA	ED-17	13,208	555	283	245	
		3.5	ZF11KAE	WFO350L4SDA	ED-10	13,541	WFO350L4SEA	ED-7	13,694	WFO350L4SGA	ED-17	14,144	555	283	255	
FM4		4.0	ZF13KAE	WFO400L4SDA	ED-10	15,257	WFO400L4SEA	ED-7	15,411	WFO400L4SGA	ED-17	15,627	555	296	352	
		5.0	ZF15KAE	WFO500L4SDA	ED-10	15,766	WFO500L4SEA	ED-11	15,851	WFO500L4SGA	ED-17	16,113	555	296	367	
		6.0	ZF18KAE				WFO600L4SEA	ED-11	16,772	WFO600L4SGA	ED-17	17,041	555	304	383	

**SCROLL COMPRESSOR - NO DEFROST PROVISIONS PRE-CONFIGURED MODEL - FLOODED**

Includes Flooded Head Pressure Control Valve, Liquid Line Kit with Filter/Drier and Sight Glass with Moisture Indicator

Temp. Range	Cabinet Size	NOM. H.P.	Compressor Model Number	208-230/1/60		Cabinet Size	208-230/3/60		Compressor Protection Plan (NET PRICE)	Approx. Ship Wt. (LBS)	
				Model Number	List Price		Model Number	List Price			
MEDIUM TEMP.	FM1	0.5	ZB06KAE	WFO060M4SDANT	\$7,619	FM1	WFO060M4SEANT	\$7,717	\$217	195	
		0.75	ZB07KAE	WFO080M4SDANT	8,079		WFO080M4SEANT	8,307	217	195	
		1.0	ZB08KAE	WFO100M4SDANT	8,241		WFO100M4SEANT	8,413	217	195	
	FM2	1.0	ZS09KAE	WFO130E4SDANT	8,761	FM2	WFO130E4SEANT	8,732	217	195	
		1.25	ZS11KAE	WFO150E4SDANT	8,824		WFO150E4SEANT	8,886	217	205	
	FM3	1.5	ZS13KAE	WFO180E4SDANT	9,824	FM3	WFO180E4SEANT	9,651	217	210	
		2.0	ZS15KAE	WFO200E4SDANT	9,835		WFO200E4SEANT	9,907	217	215	
	FM4	2.5	ZS19KAE	WFO250E4SDANT	10,032	FM4	WFO250E4SEANT	10,171	217	230	
		3.0	ZS21KAE	WFO300E4SDANT	10,781		WFO300E4SEANT	10,977	283	305	
		3.5	ZS26KAE	WFO350E4SDANT	11,900		WFO350E4SEANT	12,096	283	325	
		4.0	ZS29KAE	WFO400E4SDANT	12,071		WFO400E4SEANT	11,823	296	352	
		4.5	ZS33KAE	WFO450E4SDANT	13,074		WFO450E4SEANT	12,802	304	375	
		5.0	ZS38KAE	WFO500E4SDANT	13,707		WFO500E4SEANT	13,864	304	383	
	LOW TEMP.	FM1	6.0	ZS45KAE			FM1	WFO600E4SEANT	15,450	304	405
			1.0	ZF03KAE	WFO100L4SDANT	8,749		WFO100L4SEANT	8,876	217	195
			1.3	ZF04KAE	WFO130L4SDANT	9,161		WFO130L4SEANT	9,294	217	195
FM2		1.5	ZF05KAE	WFO160L4SDANT	9,604	FM2	WFO160L4SEANT	9,743	217	195	
		2.3	ZF07KAE	WFO230L4SDANT	10,234		WFO230L4SEANT	10,383	217	230	
FM3		2.5	ZF08KAE	WFO250L4SDANT	11,111	FM3	WFO250L4SEANT	11,322	283	240	
		3.0	ZF09KAE	WFO300L4SDANT	11,533		WFO300L4SEANT	11,761	283	245	
		3.5	ZF11KAE	WFO350L4SDANT	12,818		WFO350L4SEANT	12,971	283	255	
FM4		4.0	ZF13KAE	WFO400L4SDANT	14,534	FM4	WFO400L4SEANT	14,688	296	352	
		5.0	ZF15KAE	WFO500L4SDANT	15,043		WFO500L4SEANT	15,128	296	367	
		6.0	ZF18KAE				WFO600L4SEANT	16,049	304	383	

Notes:

† Additional price to order optional ECM condenser fan motors. Not available for 460V.

An Electric Defrost Kit must be ordered in lieu of the standard Air Defrost Timer when Extended Range Medium Temperature models are used for low temperature applications.

**NEXT-GEN W-SERIES • AIR COOLED CONDENSING UNITS**  
1/2 THRU 6 H.P.

**SCROLL COMPRESSOR - STANDARD BASE MODEL - NON-FLOODED**

Includes Liquid Line Kit with Filter/Drier, Sight Glass with Moisture Indicator and Defrost Provisions

Temp. Range	Cabinet Size	NOM. H.P.	Compressor Model Number	208-230/1/60			208-230/3/60			460/3/60			EC Motors† List Price Adder	4 YR Compressor Protection Plan (NET PRICE)	Approx. Ship Wt. (LBS)	
				Model Number	Standard Defrost Provision(s)	List Price	Model Number	Standard Defrost Provision(s)	List Price	Model Number	Standard Defrost Provision(s)	List Price				
MEDIUM TEMP.	FM1	0.5	ZB06KAE	WBO060M4SDB	Air Defrost Timer	\$7,809	WBO060M4SEB	Air Defrost Timer	\$7,902					\$217	195	
		0.75	ZB07KAE	WBO080M4SDB	Air Defrost Timer	8,268	WBO080M4SEB	Air Defrost Timer	8,496					217	195	
		1.0	ZB08KAE	WBO100M4SDB	Air Defrost Timer	8,426	WBO100M4SEB	Air Defrost Timer	8,602					217	195	
		1.0	ZS09KAE	WBO130E4SDB	Air Defrost Timer	8,899	WBO130E4SEB	Air Defrost Timer	8,910					217	195	
	FM2	1.25	ZS11KAE	WBO150E4SDA	Air Defrost Timer	8,967	WBO150E4SEA	Air Defrost Timer	9,059	WBO150E4SGA	Air Defrost Timer	\$10,095	\$555	217	205	
		1.5	ZS13KAE	WBO180E4SDA	Air Defrost Timer	9,760	WBO180E4SEA	Air Defrost Timer	9,729	WBO180E4SGA	Air Defrost Timer	10,554	555	217	210	
	FM3	2.0	ZS15KAE	WBO200E4SDA	Air Defrost Timer	9,934	WBO200E4SEA	Air Defrost Timer	10,004	WBO200E4SGA	Air Defrost Timer	10,679	555	217	215	
		2.5	ZS19KAE	WBO250E4SDA	Air Defrost Timer	10,126	WBO250E4SEA	Air Defrost Timer	10,277	WBO250E4SGA	Air Defrost Timer	10,837	555	217	230	
	FM4	3.0	ZS21KAE	WBO300E4SDB	Air Defrost Timer	10,955	WBO300E4SEB	Air Defrost Timer	11,139	WBO300E4SGB	Air Defrost Timer	11,651		283	305	
		3.5	ZS26KAE	WBO350E4SDB	Air Defrost Timer	12,001	WBO350E4SEB	Air Defrost Timer	12,201	WBO350E4SGB	Air Defrost Timer	12,669		283	325	
		4.0	ZS29KAE	WBO400E4SDB	Air Defrost Timer	12,184	WBO400E4SEB	Air Defrost Timer	11,977	WBO400E4SGB	Air Defrost Timer	13,223		296	352	
		4.5	ZS33KAE	WBO450E4SDB	Air Defrost Timer	13,212	WBO450E4SEB	Air Defrost Timer	12,923	WBO450E4SGB	Air Defrost Timer	14,168		304	375	
		5.0	ZS38KAE	WBO500E4SDB	Air Defrost Timer	13,879	WBO500E4SEB	Air Defrost Timer	14,041	WBO500E4SGB	Air Defrost Timer	14,458		304	383	
	LOW TEMP.	FM1	1.0	ZF03KAE	WBO100L4SDB	ED-5	8,959	WBO100L4SEB	ED-5	8,962					217	195
			1.3	ZF04KAE	WBO130L4SDB	ED-5	9,407	WBO130L4SEB	ED-5	9,453					217	195
1.5			ZF05KAE	WBO160L4SDB	ED-5	9,872	WBO160L4SEB	ED-5	9,954					217	195	
FM2		2.3	ZF07KAE	WBO230L4SDA	ED-7	10,528	WBO230L4SEA	ED-5	10,672	WBO230L4SGA	ED-17	11,374	555	217	230	
		2.5	ZF08KAE	WBO250L4SDA	ED-7	11,423	WBO250L4SEA	ED-6	11,636	WBO250L4SGA	ED-17	12,338	555	217	240	
FM3		3.0	ZF09KAE	WBO300L4SDA	ED-7	12,119	WBO300L4SEA	ED-6	12,074	WBO300L4SGA	ED-17	12,741	555	283	245	
		3.5	ZF11KAE	WBO350L4SDA	ED-10	13,090	WBO350L4SEA	ED-7	13,284	WBO350L4SGA	ED-17	13,735	555	283	255	
FM4		4.0	ZF13KAE	WBO400L4SDB	ED-10	14,848	WBO400L4SEB	ED-7	15,001	WBO400L4SGB	ED-17	15,218		296	352	
		5.0	ZF15KAE	WBO500L4SDB	ED-10	15,285	WBO500L4SEB	ED-11	15,442	WBO500L4SGB	ED-17	15,703		296	367	
		6.0	ZF18KAE				WBO600L4SEB	ED-11	16,363	WBO600L4SGB	ED-17	16,632		304	383	

Notes:

† Additional price to order optional ECM condenser fan motors. Not available for 460V.

An Electric Defrost Kit must be ordered in lieu of the standard Air Defrost Timer when Extended Range Medium Temperature models are used for low temperature applications.

**NEXT-GEN W-SERIES • AIR COOLED CONDENSING UNITS  
1/2 THRU 6 H.P.**

**FACTORY INSTALLED OPTIONS - GENERAL**

OPTIONS DESCRIPTION	CABINET SIZE	MEDIUM	LOW
		TEMPERATURE	TEMPERATURE
CRANKCASE HEATER	ALL	STANDARD	
FIXED HIGH/FIXED LOW PRESSURE CONTROL	ALL	STANDARD	
FIXED HIGH/ADJUSTABLE LOW PRESSURE CONTROL	ALL	\$173	STANDARD
ADJUSTABLE HIGH/ADJUSTABLE LOW PRESSURE CONTROL	ALL	386	
LIQUID LINE WITH COMPONENTS: SEALED FILTER & SIGHT GLASS	ALL	STANDARD	
LIQUID LINE WITHOUT COMPONENTS: PIPE ONLY	FM1	-358	
	FM2 - FM4	-425	
LIQUID LINE WITH PREMIUM COMPONENTS: REPLACEABLE CORE FILTER/DRIER & SIGHT GLASS	FM4	524	
	FM1	370	
SUCTION LINE COMPONENTS: SEALED FILTER	FM2 - FM4	440	
	FM4	526	
SUCTION LINE COMPONENTS: REPLACEABLE CORE FILTER	FM1	570	
	FM2 - FM4	880	
OIL SEPERATOR	FM4	1,498	
	FM1	472	
	FM2	563	
	FM3	1,347	
OVER-SIZED RECEIVER	FM4	1,382	
	ALL	363	
	ALL	772	
	ALL	1,265	
PUMPDOWN TOGGLE SWITCH	ALL	1,072	
HEATED AND INSULATED RECEIVER	ALL	720	
PHASE LOSS MONITOR	ALL	1,476	
POLYESTER COATED CONDENSER FINS	FM1 - FM2	610	
	FM3 - FM4	1,123	
COPPER FINS OR ELECTRO FIN COATED COIL	ALL	CONTACT FACTORY	
	FM1 - FM2	543	
THRU THE DOOR - <b>NON</b> - FUSED - DISCONNECT SWITCH	FM3 - FM4	720	
	FM3 - FM4	1,476	
THRU THE DOOR - FUSED - DISCONNECT SWITCH	FM1 - FM2	610	
	FM3 - FM4	1,123	
EXTERNAL FUSED DISCONNECT (Mounted)	FM1 - FM2	610	
	FM3 - FM4	1,123	

Negative numbers represent the price to be deducted from base price if a standard feature is removed.

**FACTORY INSTALLED OPTIONS - COMMON DEFROST COMPONENTS**

OPTIONS DESCRIPTION	CABINET SIZE	MEDIUM	LOW
		TEMPERATURE	TEMPERATURE
STANDARD (ELECTRONIC) AIR DEFROST TIMER*	ALL	STANDARD	
REMOVE STANDARD AIR DEFROST TIMER	ALL	-\$599	
STANDARD DEFROST KIT (ED5 - ED11)	ALL		STANDARD
SUBSTITUTE STANDARD AIR DEFROST TIMER FOR STANDARD DEFROST KIT (ED5-ED11)	ALL	124	
REMOVE STANDARD DEFROST KIT	ALL		-\$723

Negative numbers represent the price to be deducted from base price if a standard feature is removed.

\* Standard Electronic Air Defrost Timer can be substituted with Mechanical Air Defrost Timer at no charge.

Defrost Kit Descriptions & Additional Defrost Kit Options Available on Pages 37 & 38

**SHIPPED LOOSE ACCESSORIES**

OPTIONS DESCRIPTION	CABINET SIZE	MEDIUM	LOW
		TEMPERATURE	TEMPERATURE
CRANKCASE PRESSURE REGULATING VALVE	ALL	\$841	
EXTERNAL FUSED DISCONNECT (Shipped loose)	FM4	1,010	
TWO TIERED STACKING RACK	ALL	11,110	
SNOW / HAIL GUARDS	FM1	414	
	FM2	457	
	FM3	494	
	FM4	606	

Negative numbers represent the price to be deducted from base price if a standard feature is removed.

# ELECTRIC DEFROST COMPONENTS - NEXT-GEN W-SERIES

(See Page 41 for Next-Gen II and page 49 for QV-Series defrost kits )

The Witt **Electric Defrost System** provides unique features that other defrost systems lack. These energy saving features are as follows:

- The auxiliary switch on 3 phase systems and block-out relays on 1 phase systems prevents the defrost heaters from energizing when the compressor is in operation. This feature holds the maximum amp draw to the largest single load that the system will draw, and therefore reduces the electrical service requirement to the condensing unit.
- On multiple evaporator systems, individual defrost contactors are used in conjunction with **sequencing relays**\* to allow each evaporator to terminate defrost independently. This efficient method of defrost saves electricity, and reduces the potential of overheating and steaming the evaporators. In addition, the amount of heat added to the room is kept to a minimum, reducing the run time of the condensing unit.

KIT NUMBER	TIMER	AUXILIARY SWITCH	BLOCK-OUT RELAY	† DEFROST HEATER CONTACTOR (1)	‡ FAN CONTACTOR	SEQUENCING RELAY
ED-5	1	—	1-15A	—	—	—
ED-6	1	—	1-20A	—	—	—
ED-7	1	—	1-25A	—	—	—
ED-10	1	—	1-30A	—	—	—
ED-20	1	—	1-30A	—	—	2
ED-210	1	—	1-30A	—	—	—
ED-17	1	1	—	1-15A	1-25A	—
ED-11	1	1	—	1-30A	—	—
ED-12	1	1	—	1-30A	1-25A	—
ED-14	1	1	—	1-50A	1-25A	—
ED-211	1	1	—	1-30A	—	—
ED-213	1	1	—	1-50A	—	—
ED-21	1	1	—	2-15A	—	2
ED-22	1	1	—	2-15A	1-25A	2
ED-23	1	1	—	2-25A	—	2
ED-24	1	1	—	2-25A	1-25A	2

\* Except for ED-210, ED-211, ED-213

† Heater contactor amperage is based on its resistive rating.

‡ Fan motor contactor amperage is based on its inductive rating.

#### TIMER

Initiates the defrost cycle. Also used as override protection for defrost termination.

#### AUXILIARY SWITCH

Mounted on the compressor contactor, it prevents the defrost contactor from operating whenever the compressor is energized.

#### BLOCK-OUT RELAY

Gives the same function as auxiliary switch, except used when defrost contactor is not required (single phase only).

#### FAN CONTACTOR

Used with 460V motors or when 230V motors are wired for 3 phase power.

#### DEFROST CONTACTOR

Carries amperage load for heaters. Contactor selection is based on the maximum resistive load rating of the contactor.

#### SEQUENCING RELAYS

Provides interconnection of multiple unit coolers on a single system so that each unit cooler is allowed to individually terminate defrost on temperature.

# ELECTRIC DEFROST PROVISIONS - NEXT-GEN W-SERIES

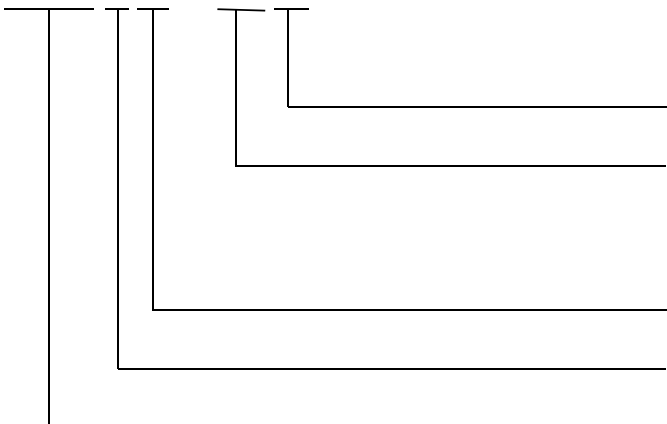
(See Page 41 for Next-Gen II and page 49 for QV-Series defrost kits )

QTY. OF UNIT COOLERS	DESCRIPTION	DEFROST KIT NUMBER				LIST PRICE MOUNTED †
		1 PH. FANS 1 PH. HTRS	1 PH. FANS 3 PH. HTRS	230V	460V	
				3 PH. FANS 3 PH. HTRS	3 PH. FANS 3 PH. HTRS	
<b>DEFROST KITS WHEN THE EVAPORATOR FAN MOTORS ARE WIRED FOR 230/1.</b>						
ONE UNIT COOLER PER SYSTEM	Up to 15 Amps Heater (w/ relay)	ED5-A2				\$723
	20 Amps Heater (w/ relay)	ED6-A2				723
	25 Amps Heater (w/ relay)	ED7-A2				723
	Up to 30 Amps Heater (w/ relay)	ED10-A2				723
	30 Amps - Heater (w/ contactors)		ED11-B2			723
TWO UNIT COOLER PER SYSTEM	Up to 30 Amps Heater (w/ relay)	ED210-A2				723
	30 Amps Heater	ED211-A2	ED211-B2			723
	50 Amps Heater	ED213-A2	ED213-B2			1,451
	Up to 15 Amps Heaters each (w/ relays)	ED20-A2				2,072
	15 Amps Heaters each	ED21-A2	ED21-B2			2,072
	25 Amps Heaters each (w/ relays)	ED23-A2				2,128
	25 Amps Heaters each (w/ contactors)		ED23-B2			2,128
<b>DEFROST KITS WHEN THE EVAPORATOR FAN MOTORS ARE WIRED FOR 230/3, 460/3, OR 460/1.</b>						
ONE UNIT COOLER PER SYSTEM	Up to 25 Amps Heater	ED17-A4				\$723
	30 Amps Heater	ED12-A4	ED12-BX	ED12-C2	ED12-C4	1,512
	50 Amps Heater		ED14-BX	ED14-C2	ED14-C4	1,769
TWO UNIT COOLER PER SYSTEM	Up to 15 Amps Heaters per Unit Cooler		ED22-BX	ED22-C2	ED22-C4	2,544
	25 Amps Heaters per Unit Cooler		ED24-BX	ED24-C2	ED24-C4	2,544

† ED-Kits are supplied as mounted components and not available as a "ship loose" accessory.

## ELECTRIC DEFROST KIT NOMENCLATURE

**ED 12 - A2**



DEFROST HEATER VOLTAGE (2 = 208-230V., 4 = 460V.)

DEFROST HEATER PHASE (1 or 3)

A = 1 PHASE FAN MOTORS, 1 PHASE HEATERS

B = 1 PHASE FAN MOTORS, 3 PHASE HEATERS

C = 3 PHASE FAN MOTORS, 3 PHASE HEATERS

DEFROST KIT IDENTIFIER

EVAPORATOR QUANTITY (1, 2, or 3 per system)

KIT DESIGNATOR

# NEXT-GEN II AIR COOLED CONDENSING UNITS

## 3 H.P. THRU 22 H.P.

### Standard Features (all models):

- Copeland Discus™, Copeland Scroll™ or Bitzer Semi-Hermetic Compressor
- All weather G90 galvanized steel painted enclosure
- Removable side panels for ease of service
- Generously sized high efficiency condenser, with enhanced copper tubes/and aluminum fins
- Liquid line kit with sealed filter/drier and sight glass with moisture indicator
- Easy access base mounted service valves placed external to cabinet
- Dual pressure (auto reset) controls with flexible Refflex® hoses
- Vertical receiver with isolation valves
- Refrigerant pressure relief valve (Larger models in FD2 and FD3 cabinets)
- Integral liquid subcooling circuit
- Suction line piping (filter optional)
- Heavy duty three phase condenser fan motor(s)
- Crankcase heater
- Control circuit fuses
- Pump down toggle switch
- Large electrical panel with hinged door
- 208-230V control voltage
- Color coded point-to-point wiring
- Fan cycling on WB models
- Liquid injection for low temp. Scroll compressors



Unit is shown with optional components mounted

**WF models also include a Flooded Head Pressure Control Valve (70°F) as a standard feature**

### Optional Features (all models):

- Electronic air defrost timer
- Electric defrost kits
- Mechanical timer in lieu of electronic timer
- 50 Hz timer and/or defrost kit
- Current sensing relay
- Thru the door Non-fused disconnect
- Suction line filter (sealed)
- Suction accumulator
- Replaceable core liquid filter with bypass
- Replaceable core suction filter with bypass
- External fused or non-fused disconnect - loose or mounted
- Refrigerant pressure relief valve (for models in FD1 cabinet)
- Liquid injection / Demand Cooling™ for low temp. Bitzer and Discus compressors
- Heated and insulated receiver (Temp controlled with low pressure bypass timer)
- Oil separator
- Oversized receiver
- Insulated receiver
- Hail / Snow Guard - shipped loose (only)
- 316 Grade stainless steel housing
- Crankcase pressure regulator

W	F	D	S	04	M	4S	E	A or B^
Brand	Style	Compressor Style	Compressor Configuration	Horsepower	Temperature Range	Refrigerant Type	Voltage Code	Vintage
W - Witt	F - Flooded B - Non-Flooded	D - Discus O - Scroll B - Bitzer	S - Single		E - Extended Medium L - Low M - Medium	4S - Multiple Refrigerants	E - 208-230/3/60 G - 460/3/60 J - 575/3/60 N - 200-220/3/50 Q - 380/3/50	

Temp Range	Compressor (Discus™)	H.P.	Model Number	WF Flooded Unit List Price	VOLTAGE	Model Number	WB Non Flooded List Price	4 Year Compressor Protection Plan	Approx. Ship Wt. (LBS)
Medium Temp Discus	2DC3R53K	04	WFDS04M4SEA	\$24,174	208/230/3/60	WBDS04M4SEB	\$22,617	\$509 NET	825
			WFDS04M4SGA	25,679	460/3/60	WBDS04M4SGB	24,093		
			WFDS04M4SJA	26,193	575/3/60	WBDS04M4SJB	24,599		
	2DD3R63K	05	WFDS05M4SEA	24,611	208/230/3/60	WBDS05M4SEB	23,043	509 NET	850
			WFDS05M4SGA	26,053	460/3/60	WBDS05M4SGB	24,460		
			WFDS05M4SJA	26,708	575/3/60	WBDS05M4SJB	25,102		
	2DL3R78K	06	WFDS06M4SEA	30,565	208/230/3/60	WBDS06M4SEA	28,886	616 NET	1,075
			WFDS06M4SGA	32,692	460/3/60	WBDS06M4SGA	30,974		
			WFDS06M4SJA	33,342	575/3/60	WBDS06M4SJA	31,613		
	2DA3R89K	07	WFDS07M4SEA	31,214	208/230/3/60	WBDS07M4SEA	29,522	624 NET	1,100
			WFDS07M4SGA	33,122	460/3/60	WBDS07M4SGA	31,396		
			WFDS07M4SJA	33,774	575/3/60	WBDS07M4SJA	32,035		
	3DA3R10M	08	WFDS08M4SEA	35,005	208/230/3/60	WBDS08M4SEA	33,244	624 NET	1,130
			WFDS08M4SGA	37,103	460/3/60	WBDS08M4SGA	35,300		
			WFDS08M4SJA	37,859	575/3/60	WBDS08M4SJA	36,042		
	3DB3R12M	10	WFDS10M4SEA	37,538	208/230/3/60	WBDS10M4SEA	35,727	807 NET	1,330
			WFDS10M4SGA	39,480	460/3/60	WBDS10M4SGA	37,633		
			WFDS10M4SJA	40,208	575/3/60	WBDS10M4SJA	38,347		
	3DF3R15M	12	WFDS12M4SEA	40,662	208/230/3/60	WBDS12M4SEA	38,792	969 NET	1,330
			WFDS12M4SGA	42,254	460/3/60	WBDS12M4SGA	40,354		
			WFDS12M4SJA	N/A	575/3/60	WBDS12M4SJA	N/A		
	3DS3R17M	15	WFDS15M4SEA	41,562	208/230/3/60	WBDS15M4SEA	40,464	1,250 NET	1,350
			WFDS15M4SGA	42,966	460/3/60	WBDS15M4SGA	41,866		
			WFDS15M4SJA	43,696	575/3/60	WBDS15M4SJA	42,596		

Voltage codes: E = 208-230/3/60, G = 460V/3/60, J = 575V/3/60

\* See next page for condensing units with low temp Discus™ or Scroll™ compressors.

**NEXT-GEN II AIR COOLED CONDENSING UNITS**  
**3 H.P. THRU 22 H.P. - DISCUS™ and SCROLL™**

Temperature Range	Compressor (Discus™)	H.P.	Model Number	WF	VOLTAGE	Model Number	WB	4 Year Compressor Protection Plan		Approx. Ship Wt. (LBS)
				Flooded List Price			Non Flooded List Price			
Low Temp Discus	2DF3F16K	03	WFDS03L4SEA	\$23,534	208/230/3/60	WBDS03L4SEB	\$22,434	\$342	NET	710
			WFDS03L4SGA	25,164	460/3/60	WBDS03L4SGB	24,065			
			WFDS03L4SJA	25,759	575/3/60	WBDS03L4SJB	24,660			
	2DL3F20K	04	WFDS04L4SEA	25,801	208/230/3/60	WBDS04L4SEB	24,701	509	NET	760
			WFDS04L4SGA	27,454	460/3/60	WBDS04L4SGB	26,355			
			WFDS04L4SJA	27,990	575/3/60	WBDS04L4SJB	26,890			
	2DA3F23K	05	WFDS05L4SEA	26,423	208/230/3/60	WBDS05L4SEB	25,324	509	NET	805
			WFDS05L4SGA	28,302	460/3/60	WBDS05L4SGB	27,203			
			WFDS05L4SJA	28,862	575/3/60	WBDS05L4SJB	27,764			
	3DA3F28K	06	WFDS06L4SEA	28,813	208/230/3/60	WBDS06L4SEA	27,715	616	NET	870
			WFDS06L4SGA	30,705	460/3/60	WBDS06L4SGA	29,608			
			WFDS06L4SJA	31,459	575/3/60	WBDS06L4SJA	30,360			
	3DB3F33K	08	WFDS08L4SEA	32,256	208/230/3/60	WBDS08L4SEA	31,156	624	NET	1,130
			WFDS08L4SGA	33,782	460/3/60	WBDS08L4SGA	32,684			
			WFDS08L4SJA	34,940	575/3/60	WBDS08L4SJA	33,841			
	3DF3F40K	09	WFDS09L4SEA	36,095	208/230/3/60	WBDS09L4SEA	34,997	807	NET	1,275
			WFDS09L4SGA	38,229	460/3/60	WBDS09L4SGA	37,129			
			WFDS09L4SJA	38,986	575/3/60	WBDS09L4SJA	37,886			
	3DS3F46K	10	WFDS10L4SEA	39,184	208/230/3/60	WBDS10L4SEA	38,085	919	NET	1,275
			WFDS10L4SGA	39,861	460/3/60	WBDS10L4SGA	38,762			
			WFDS10L4SJA	40,861	575/3/60	WBDS10L4SJA	39,760			
	4DBNF54K	12	WFDS12L4SEA	39,962	208/230/3/60	WBDS12L4SEA	38,864	969	NET	1,290
			WFDS12L4SGA	40,874	460/3/60	WBDS12L4SGA	39,775			
			WFDS12L4SJA	41,697	575/3/60	WBDS12L4SJA	40,596			
	4DHNF63K	15	WFDS15L4SEA	42,000	208/230/3/60	WBDS15L4SEA	40,905	1,250	NET	1,310
			WFDS15L4SGA	42,669	460/3/60	WBDS15L4SGA	41,571			
			WFDS15L4SJA	43,566	575/3/60	WBDS15L4SJA	42,466			
	4DJNF76K	22	WFDS22L4SEA	47,601	208/230/3/60	WBDS22L4SEA	46,502	1,546	NET	1,420
			WFDS22L4SGA	48,398	460/3/60	WBDS22L4SGA	47,299			
			WFDS22L4SJA	49,630	575/3/60	WBDS22L4SJA	48,532			

Temperature Range	Compressor (Scroll™)	H.P.	Model Number	WF	VOLTAGE	Model Number	WB	4 Year Compressor Protection Plan		Approx. Ship Wt. (LBS)
				Flooded LIST PRICE			Non Flooded List Price			
Medium Temp Scroll	ZS29KAE	04	WFOS04E4SEA	\$21,796	208/230/3/60	WBOS04E4SEB	\$20,698	\$296	NET	700
			WFOS04E4SGA	23,518	460/3/60	WBOS04E4SGB	22,419			
			WFOS04E4SJA	24,027	575/3/60	WBOS04E4SJB	22,928			
	ZS33KAE	05	WFOS05E4SEA	22,184	208/230/3/60	WBOS05E4SEB	21,085	304	NET	710
			WFOS05E4SGA	23,875	460/3/60	WBOS05E4SGB	22,777			
			WFOS05E4SJA	24,454	575/3/60	WBOS05E4SJB	23,353			
	ZS38K4E	06	WFOS06E4SEA	25,279	208/230/3/60	WBOS06E4SEB	24,180	304	NET	710
			WFOS06E4SGA	27,307	460/3/60	WBOS06E4SGB	26,207			
			WFOS06E4SJA	27,881	575/3/60	WBOS06E4SJB	26,783			
	ZS45K4E	07	WFOS07E4SEA	25,772	208/230/3/60	WBOS07E4SEA	24,673	501	NET	870
			WFOS07E4SGA	27,691	460/3/60	WBOS07E4SGA	26,593			
			WFOS07E4SJA	28,267	575/3/60	WBOS07E4SJA	27,168			
	ZB58K5E	08	WFOS08E4SEA	26,789	208/230/3/60	WBOS08E4SEA	25,184	501	NET	915
			WFOS08E4SGA	28,768	460/3/60	WBOS08E4SGA	27,124			
			WFOS08E4SJA	29,394	575/3/60	WBOS08E4SJA	27,738			
	ZB66K5E	09	WFOS09E4SEA	28,273	208/230/3/60	WBOS09E4SEA	26,640	543	NET	980
			WFOS09E4SGA	30,044	460/3/60	WBOS09E4SGA	28,375			
			WFOS09E4SJA	30,640	575/3/60	WBOS09E4SJA	28,961			
	ZB76K5E	10	WFOS10E4SEA	33,055	208/230/3/60	WBOS10E4SEA	31,329	543	NET	1,085
			WFOS10E4SGA	34,312	460/3/60	WBOS10E4SGA	32,561			
			WFOS10E4SJA	35,016	575/3/60	WBOS10E4SJA	33,253			
	ZB95K5E	13	WFOS13E4SEA	36,608	208/230/3/60	WBOS13E4SEA	34,816	626	NET	1,105
			WFOS13E4SGA	36,692	460/3/60	WBOS13E4SGA	34,898			
			WFOS13E4SJA	37,891	575/3/60	WBOS13E4SJA	36,074			
	ZB114K5E	15	WFOS15E4SEA	40,875	208/230/3/60	WBOS15E4SEA	39,001	640	NET	1,200
			WFOS15E4SGA	42,742	460/3/60	WBOS15E4SGA	40,832			
			WFOS15E4SJA	43,576	575/3/60	WBOS15E4SJA	41,650			

Low Temp Scroll	ZF25K4E	08	WFOS08L4SEA	\$24,836	208/230/3/60	WBOS08L4SEB	\$23,737	\$501	NET	850
			WFOS08L4SGA	26,305	460/3/60	WBOS08L4SGB	25,206			
			WFOS08L4SJA	26,820	575/3/60	WBOS08L4SJB	25,720			
	ZF34K5E	10	WFOS10L4SEA	30,828	208/230/3/60	WBOS10L4SEA	29,728	543	NET	1,025
			WFOS10L4SGA	32,640	460/3/60	WBOS10L4SGA	31,542			
			WFOS10L4SJA	33,310	575/3/60	WBOS10L4SJA	32,211			
	ZF41K5E	13	WFOS13L4SEA	34,843	208/230/3/60	WBOS13L4SEA	33,744	626	NET	1,050
			WFOS13L4SGA	35,439	460/3/60	WBOS13L4SGA	34,341			
			WFOS13L4SJA	36,405	575/3/60	WBOS13L4SJA	35,306			
	ZF49K5E	15	WFOS15L4SEA	36,001	208/230/3/60	WBOS15L4SEA	34,902	640	NET	1,105
			WFOS15L4SGA	36,813	460/3/60	WBOS15L4SGA	35,715			
			WFOS15L4SJA	37,549	575/3/60	WBOS15L4SJA	36,449			

Voltage codes: E = 208-230/3/60, G = 460V/3/60, J = 575V/3/60

Demand Cooling™ is optional for Low Temp. Discus compressors. It's required for non-R404A refrigerants.

\* See next Page for Condensing units with Bitzer Compressors  
 Liquid Injection is standard on Low Temp. Scroll compressors.



## NEXT-GEN II AIR COOLED CONDENSING UNITS 3 H.P. THRU 22 H.P. - BITZER

Temperature Range	Compressor (Bitzer)	H.P.	Model Number	WF Flooded List Price	VOLTAGE	Model Number	WB Non Flooded List Price	4 Year Compressor Protection Plan	Approx. Ship Wt. (LBS)
Medium Temp Bitzer	2DES-3	03	WFBS03E4SEA	\$26,024	208/230/3/60	WBBS03E4SEB	\$24,925	\$509 NET	800
			WFBS03E4SGA	27,731	460/3/60	WBBS03E4SGB	26,631		
			WFBS03E4SJA	27,987	575/3/60	WBBS03E4SJB	26,888		
	2CES-4	04	WFBS04E4SEA	26,435	208/230/3/60	WBBS04E4SEB	25,334	509 NET	825
			WFBS04E4SGA	28,079	460/3/60	WBBS04E4SGB	26,980		
			WFBS04E4SJA	28,478	575/3/60	WBBS04E4SJB	27,378		
	4FES-5	05	WFBS05E4SEA	26,860	208/230/3/60	WBBS05E4SEB	25,763	509 NET	850
			WFBS05E4SGA	28,446	460/3/60	WBBS05E4SGB	27,347		
	4EES-6	06	WFBS06E4SEA	29,441	208/230/3/60	WBBS06E4SEA	28,343	616 NET	1,075
			WFBS06E4SGA	30,553	460/3/60	WBBS06E4SGA	29,454		
			WFBS06E4SJA	32,527	575/3/60	WBBS06E4SJA	31,428		
	4DES-7	07	WFBS07E4SEA	31,986	208/230/3/60	WBBS07E4SEA	30,888	624 NET	1,100
			WFBS07E4SGA	32,625	460/3/60	WBBS07E4SGA	31,526		
			WFBS07E4SJA	36,047	575/3/60	WBBS07E4SJA	34,948		
	4CES-9	08	WFBS08E4SEA	36,744	208/230/3/60	WBBS08E4SEA	34,948	624 NET	1,130
			WFBS08E4SGA	38,581	460/3/60	WBBS08E4SGA	36,750		
			WFBS08E4SJA	39,412	575/3/60	WBBS08E4SJA	37,564		
	4TES-12	10	WFBS10E4SEA	37,187	208/230/3/60	WBBS10E4SEA	35,382	807 NET	1,330
			WFBS10E4SGA	39,384	460/3/60	WBBS10E4SGA	37,538		
			WFBS10E4SJA	40,111	575/3/60	WBBS10E4SJA	38,252		
	4PES-15	12	WFBS12E4SEA	38,767	208/230/3/60	WBBS12E4SEA	36,934	969 NET	1,330
			WFBS12E4SGA	40,789	460/3/60	WBBS12E4SGA	38,917		
			WFBS12E4SJA	41,516	575/3/60	WBBS12E4SJA	39,630		
	4NES-20	15	WFBS15E4SEA	39,650	208/230/3/60	WBBS15E4SEA	37,799	1,250 NET	1,350
			WFBS15E4SGA	41,590	460/3/60	WBBS15E4SGA	39,703		
			WFBS15E4SJA	42,312	575/3/60	WBBS15E4SJA	40,411		

Low Temp Bitzer	4FES-3	03	WFBS03L4SEA	\$23,080	208/230/3/60	WBBS03L4SEB	\$21,981	\$342 NET	710
			WFBS03L4SGA	23,984	460/3/60	WBBS03L4SGB	22,885		
			WFBS03L4SJA	24,563	575/3/60	WBBS03L4SJB	23,463		
	4EES-4	04	WFBS04L4SEA	25,365	208/230/3/60	WBBS04L4SEB	24,265	509 NET	760
			WFBS04L4SGA	26,269	460/3/60	WBBS04L4SGB	25,169		
			WFBS04L4SJA	26,848	575/3/60	WBBS04L4SJB	25,748		
	4DES-5	05	WFBS05L4SEA	26,652	208/230/3/60	WBBS05L4SEB	25,553	509 NET	805
			WFBS05L4SGA	27,650	460/3/60	WBBS05L4SGB	26,551		
			WFBS05L4SJA	28,210	575/3/60	WBBS05L4SJB	27,111		
	4CES-6	06	WFBS06L4SEA	31,930	208/230/3/60	WBBS06L4SEB	30,832	616 NET	870
			WFBS06L4SGA	33,225	460/3/60	WBBS06L4SGB	32,127		
			WFBS06L4SJA	33,608	575/3/60	WBBS06L4SJB	32,507		
	4TES-9	08	WFBS08L4SEA	34,154	208/230/3/60	WBBS08L4SEA	33,054	624 NET	1,130
			WFBS08L4SGA	35,396	460/3/60	WBBS08L4SGA	34,298		
			WFBS08L4SJA	35,894	575/3/60	WBBS08L4SJA	34,794		
	4PES-12	09	WFBS09L4SEA	36,566	208/230/3/60	WBBS09L4SEA	35,467	807 NET	1,275
			WFBS09L4SGA	37,741	460/3/60	WBBS09L4SGA	36,641		
			WFBS09L4SJA	38,844	575/3/60	WBBS09L4SJA	37,744		
	4NES-14	10	WFBS10L4SEA	39,015	208/230/3/60	WBBS10L4SEA	37,916	919 NET	1,275
			WFBS10L4SGA	40,190	460/3/60	WBBS10L4SGA	39,089		
			WFBS10L4SJA	41,292	575/3/60	WBBS10L4SJA	40,193		
	4JE-15	12	WFBS12L4SEA	42,052	208/230/3/60	WBBS12L4SEA	40,953	969 NET	1,290
			WFBS12L4SGA	43,227	460/3/60	WBBS12L4SGA	42,128		
			WFBS12L4SJA	44,329	575/3/60	WBBS12L4SJA	43,231		
	4HE-18	15	WFBS15L4SEA	45,160	208/230/3/60	WBBS15L4SEA	44,061	1,250 NET	1,310
			WFBS15L4SGA	46,331	460/3/60	WBBS15L4SGA	45,232		
			WFBS15L4SJA	47,436	575/3/60	WBBS15L4SJA	46,337		
4GE-23	22	WFBS22L4SEA	46,331	208/230/3/60	WBBS22L4SEA	42,883	1,546 NET	1,420	
		WFBS22L4SGA	48,042	460/3/60	WBBS22L4SGA	46,942			
		WFBS22L4SJA	49,148	575/3/60	WBBS22L4SJA	48,049			

Voltage codes: E = 208-230/3/60, G = 460V/3/60, J = 575V/3/60

Liquid Injection is optional on Low Temp. Bitzer compressors. It's required for non-R404A refrigerants.

## 3 THRU 22 H.P. CONDENSING UNITS - FACTORY INSTALLED DEFROST KITS

1 EVAPORATOR PER CU	Max Defrost Load	List Price
DMA15	15	\$1,425
DMA20	20	
DMA24	24	
DMA30	30	
DMA35	35	1,591
DMA40	40	
DMA48	48	
DMB60	60	3,104
DMB96	96	

2 EVAPS PER CU	Max Defrost Load	List Price
DMB35	35	\$2,158
DMB40	40	
DMB48	48	
DMB60	60	3,104
DMB96	96	

3 EVAPS PER CU	Max Defrost Load	List Price
DMC35	35	\$3,247
DMC40	40	
DMC48	48	
DMC60	60	4,014
DMC96	96	

**Note:** All electric defrost kits include 1 fan contactor and are suitable for single or three phase loads. Defrost amp values are the maximum load for a kit. Smaller loads may be attached.

### 3 THRU 22 H.P. CONDENSING UNITS - FACTORY INSTALLED OPTIONS

All options are factory mounted unless otherwise noted.	OPTION NUMBER	H.P. RANGE	LIST PRICE†
<b>Electrical options</b>			
THROUGH THE DOOR NON-FUSED DISCONNECT SWITCH	TDNM-3	3-10	\$1,737
	TDNM-4	12-22	1,942
EXTERNAL FUSED DISCONNECT - Loose or Mounted	EFDM-2 (230V)	3 - 6	1,123
	EFDM-3 (230V)	7 - 10	1,336
	EFDM-4 (230V)	12 - 22	2,851
	EFDM-2 (460V)	3 - 6	1,320
	EFDM-3 (460V)	7 - 10	2,375
MAIN CIRCUIT BREAKER	BKR-2	3 - 6	1,605
	BKR-3	7 - 10	2,021
	BKR-4	12 - 22	2,543
†PHASE LOSS MONITOR	PLM	ALL	1,264
ANTI SHORT CYCLE TIMER	ASC	ALL	747
AIR DEFROST TIMER	TMR	ALL	621
CURRENT SENSING RELAY (Run proof)	CSR	All	828
COMPRESSOR UNLOADERS (Suction pressure control. Medium Temp reciprocating compressors only. 1 Step for 3D and larger compressors.)	UNL-1	When Available	2,323

See Page 41 For Defrost Component Prices

<b>Mechanical options</b>			
SUCTION LINE FILTER (Sealed)	SK-5	3 - 8	\$545
	SK-6	9 - 10	924
	SK-7	12 - 22	1,474
REPLACEABLE CORE SUCTION FILTER	RSK-5	3 - 8	1,225
	RSK-6	9 - 10	1,567
	RSK-7	12 - 22	2,210
REPLACEABLE CORE LIQUID FILTER	RLK-5	3 - 8	1,285
	RLK-6	9 - 10	1,604
	RLK-7	12 - 22	2,320
SUCTION LINE ACCUMULATOR (Must add Suction line filter option.)	ASK-4	3 - 8	880
	ASK-5	9 - 10	1,293
	ASK-6	12 - 22	2,700
OIL SEPARATOR	OS-1	3 - 6	1,498
	OS-2	7 - 10	1,594
	OS-3	12 - 22	1,874
OVERSIZED RECEIVERS	OSR-1	1 FAN	1,322
	OSR-2	2 FAN	740
	OSR-3	2 FAN TALL	748
PRESSURE RELIEF VALVE (For models built on FD1 cabinet base. Requires Oversized Receiver OSR-1 option)	RV	FD1 Cabinet	335
HEATED AND INSULATED RECEIVER (Temperature controlled with low pressure bypass timer)	HIR	ALL	869
CRANKCASE PRESSURE REGULATOR (Do not use with MOP style TXV's. Must provide refrigerant type, holding temperature, suction temperature, and maximum design capacity.)	CPR VALVE	3 - 5	1,723
		6 - 9	1,910
		10 - 15	3,559
		22	5,570
LIQUID INJECTION / DEMAND COOLING™ (Low Temp. Bitzer and Discus compressors <sup>1</sup> )	LNJ	ALL	2,819
HAIL / SNOW GUARDS (Shipped loose to prevent shipping damage. Requires field installation)	SG-E	1 FAN	1,045
	SG-F	2 FAN	1,429
	SG-G	2 FAN TALL	1,601
2 UNIT STACKING RACK (Shipped empty. Condensing units must be field installed.)	SR-2	1 or 2 FAN	C/A
3 UNIT STACKING RACK (Shipped empty. Condensing units must be field installed.)	SR-3	1 or 2 FAN	C/A

C/A = Contact Application Engineering for a special quote on options not found in the price list.

† Phase Loss monitor is a standard feature for K5 Scroll Series CoreSense modules. Extended Range models \*OS8E4S thru OS15E4s and Low Temp OS10L4L thru \*OS15L4S use K5 Series Scroll compressors.

<sup>1</sup> Liquid Injection is standard on Low Temp. Scroll compressors. Liquid Injection/ Demand Cooling™ is optional for Low Temp. Bitzer and Discus compressors. It's required for non-R404A refrigerants.

# QV-SERIES AIR COOLED CONDENSING UNITS

15 THRU 100 H.P.



## Standard Features (all models)

- Copeland Discus or Bitzer compressors
- Available in single, dual or parallel compressor configurations
- Prepaint gray exterior/ G60 galvanized steel outdoor cabinet construction
- Heavy gauge G90 galvanized steel frame
- Award-winning floating coil design with generously sized condensers for energy savings
- Integral subcooling circuit boosts energy efficiency
- Mechanically formed pre-bent tubing reduces potential leaks
- Compatible with multiple refrigerants
- Optimized for high glide refrigerants
- Separate power and control electrical panels
- Swept wing fan/Venturi improves airflow and sound
- Hinged and removable access panels
- Flip top hinged Venturi panels for easy servicing
- Floored compressor cabinet with removable compressor tray
- Color-coded control wiring diagram with diagnostic terminals/ color-coded high and low pressure hoses
- LED control and compressor panel lighting
- 110V service convenience outlet
- Service gauge hooks
- 3 Phase condenser fan motors
- Electronic oil failure control
- Horizontal receiver
- Receiver isolation valves
- Refrigerant relief valve
- Replaceable core liquid line filter
- Suction line and discharge line vibrasorbers
- Liquid line isolation valve with sight glass
- Single point alarm with liquid line solenoid lockout
- Control circuit and condenser fan fusing
- Condenser fan contactors
- UL and cUL listed for outdoor use

**Flooded (WF) Models include an adjustable head pressure control valve**

**Non-Flooded (WB) Models include electronic fan cycling control and a minimum charge monitor**

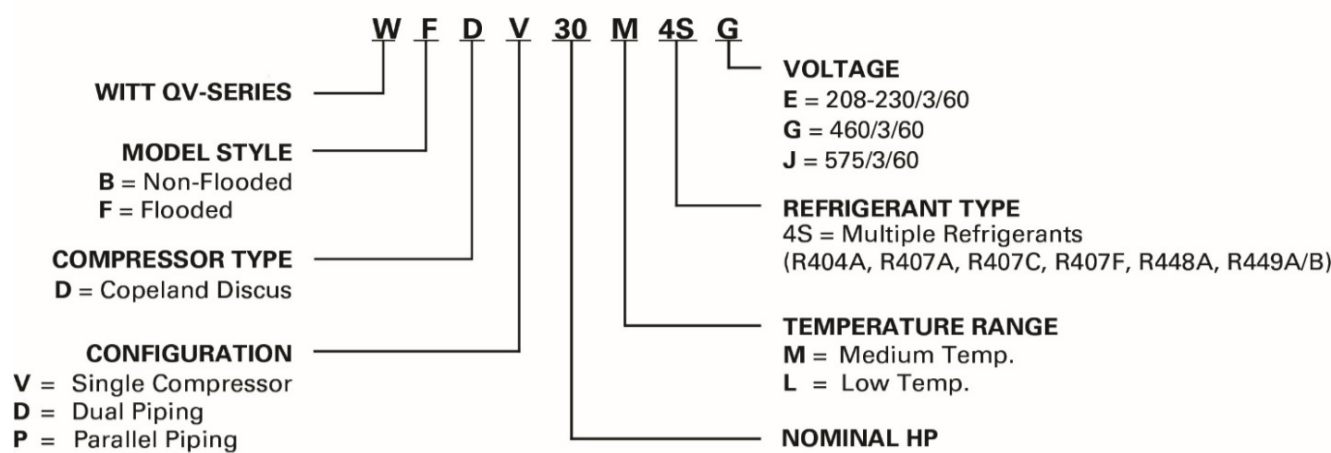
**Parallel Compressor Models (WF\*P/ WB\*P) include an oil management system**

## Options

- EC fan motors for variable speed
- Air defrost timer or electric defrost components
- Electric defrost kits available for up to 4 evaporators
- Oversized receiver
- ElectroFin<sup>®</sup>, polyester coated fins or Bronz-Glow coil coating
- Liquid injection on low temp. compressors
- Heated and insulated receiver
- Oil separator with check valve
- Fan cycling control (WF models)
- Suction accumulator
- Liquid filter isolation valve
- Liquid Line Solenoid Valve (Shipped loose)
- Suction isolation valve
- Suction filter isolation valve
- Replaceable core suction filter
- Crankcase pressure regulator
- Hot gas bypass (Discharge tee, regulator or ball valve)
- Heat reclaim (Sporlan 3 way valve)
- Thru-the-door non-fused disconnect switch
- Thru-the-door fused disconnect (200 amp Max)
- Thru-the-door breaker disconnect (200 amp Max)
- Phase loss monitor
- Anti short cycle timer
- Compressor Unloading

# QV-SERIES AIR COOLED CONDENSING UNITS - Discus Compressor Models

## MODEL NUMBER NOMENCLATURE



NOMINAL COMPRESSOR HP		
SINGLE COMP.	DUAL PIPING	PARALLEL PIPING
15 HP	30 (2) 15 HP	-
20 HP	40 (2) 20 HP	-
22 HP	44 (2) 22 HP	44 (2) 22 HP
25 HP	50 (2) 25 HP	50 (2) 25 HP
27 HP	54 (2) 27 HP	54 (2) 27 HP
30 HP	60 (2) 30 HP	60 (2) 30 HP
35 HP	70 (2) 35 HP	70 (2) 35 HP
40 HP	80 (2) 40 HP	80 (2) 40 HP
50 HP	100 (2) 50 HP	100 (2) 50 HP

### QV-SERIES • SINGLE DISCUS COMPRESSOR MODELS

TEMP. RANGE	NOM H.P.	MODEL NUMBER	COMPRESSOR NUMBER (1 Compressor)	FLOODED MODELS (WF)			NON-FLOODED MODELS (WB)			4 Year Compressor Protection Plan (NET PRICE)
				208-230V/3	460V/3	575V/3	208-230V/3	460V/3	575V/3	
Medium Temp.	15	W*DV015M4S	3DS3R17ME	\$46,941	\$47,710	\$48,861	\$46,658	\$47,452	\$48,316	\$1,250
	20	W*DV020M4S	4DBNR20ME	51,954	52,687	53,616	50,850	51,890	53,054	1,546
	25	W*DV025M4S	4DHNR22ME	62,040	62,720	64,011	60,780	61,830	62,987	1,728
	30	W*DV030M4S	4DJNR28ME	72,515	73,305	74,891	68,587	69,438	70,632	1,853
	35	W*DV035M4S	6DHNR35ME	82,127	82,597	84,509	79,096	79,312	80,993	1,952
	40	W*DV040M4S	6DJNR40ME <sup>1</sup>	90,379	91,634	93,126	86,889	88,163	90,026	2,038
Low Temp.	50	W*DV050M4S	6DUNR49ME	N/A	109,394	N/A	N/A	103,891	N/A	2,307
	22	W*DV022L4S	4DJNF76KE	58,361	59,589	60,822	58,351	59,089	60,387	1,546
	27	W*DV027L4S	6DHNF93KE	67,555	68,094	69,275	66,247	67,442	68,254	1,728
	30	W*DV030L4S	6DJNF11ME	74,637	75,324	76,862	73,098	74,322	75,938	1,853
40	W*DV040L4S	6DUNF13ME	N/A	93,790	N/A	N/A	92,258	N/A	2,232	

### QV-SERIES • DUAL DISCUS COMPRESSOR MODELS

TEMP. RANGE	NOM H.P.	MODEL NUMBER	COMPRESSOR NUMBER (2 Compressor)	FLOODED MODELS (WF)			NON-FLOODED MODELS (WB)			4 Year Compressor Protection Plan (NET PRICE)
				208-230V/3	460V/3	575V/3	208-230V/3	460V/3	575V/3	
Medium Temp.	30	W*DD030M4S	3DS3R17ME	\$93,885	\$95,421	\$97,723	\$93,315	\$94,903	\$96,634	\$2,500
	40	W*DD040M4S	4DBNR20ME	103,911	105,374	107,233	101,701	103,780	106,106	3,093
	50	W*DD050M4S	4DHNR22ME	124,081	125,442	128,023	121,560	123,662	125,972	3,457
	60	W*DD060M4S	4DJNR28ME	145,030	146,611	149,783	137,173	138,875	141,262	3,707
	70	W*DD070M4S	6DHNR35ME	164,253	165,194	169,018	158,192	158,625	161,985	3,904
	80	W*DD080M4S	6DJNR40ME <sup>1</sup>	180,759	183,268	186,250	173,778	176,325	180,052	4,077
Low Temp.	100	W*DD100M4S	6DUNR49ME	N/A	218,789	N/A	N/A	207,782	N/A	4,613
	44	W*DD044L4S	4DJNF76KE	116,721	119,177	121,645	116,704	118,179	120,771	3,093
	54	W*DD054L4S	6DHNF93KE	135,110	136,188	138,551	132,494	134,884	136,509	3,457
	60	W*DD060L4S	6DJNF11ME	149,273	150,649	153,727	146,197	148,641	151,876	3,707
80	W*DD080L4S	6DUNF13ME	N/A	187,581	N/A	N/A	184,516	N/A	4,464	

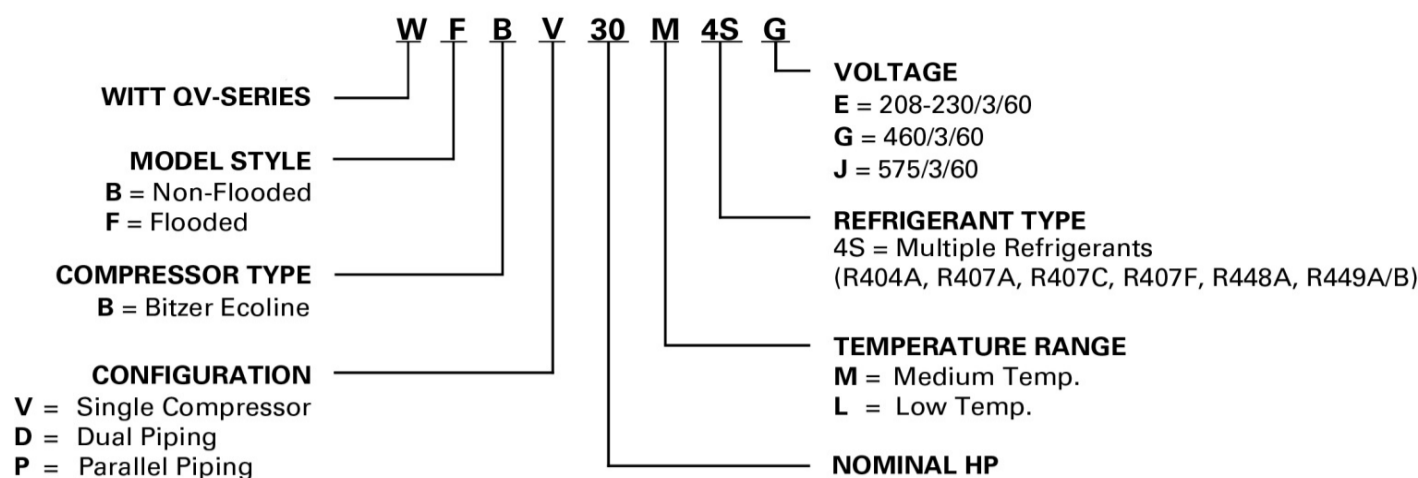
### QV-SERIES • PARALLEL PIPED DISCUS COMPRESSOR MODELS

TEMP. RANGE	NOM H.P.	MODEL NUMBER	COMPRESSOR NUMBER (2 Compressor)	FLOODED MODELS (WF)			NON-FLOODED MODELS (WB)			4 Year Compressor Protection Plan (NET PRICE)
				208-230V/3	460V/3	575V/3	208-230V/3	460V/3	575V/3	
Medium Temp.	50	W*DP050M4S	4DHNR22ME	\$139,428	\$140,620	\$143,433	\$136,536	\$138,597	\$141,098	\$3,457
	60	W*DP060M4S	4DJNR28ME	159,078	160,524	163,734	149,967	151,582	153,859	3,707
	70	W*DP070M4S	6DHNR35ME	178,859	179,663	183,256	172,007	172,223	175,300	3,904
	80	W*DP080M4S	6DJNR40ME <sup>1</sup>	193,997	197,021	200,960	186,205	189,263	194,040	4,077
Low Temp.	100	W*DP100M4S	6DUNR49ME	N/A	242,856	N/A	N/A	229,991	N/A	4,613
	44	W*DP044L4S	4DJNF76KE	132,402	134,834	137,532	132,383	133,695	136,537	3,093
	54	W*DP054L4S	6DHNF93KE	149,782	150,672	153,685	146,825	149,215	151,387	3,457
	60	W*DP060L4S	6DJNF11ME	163,014	164,237	167,521	159,583	162,017	165,482	3,707
80	W*DP080L4S	6DUNF13ME	N/A	208,214	N/A	N/A	204,755	N/A	4,464	

<sup>1</sup>6DJ3R40ME on 575/3

# QV-SERIES AIR COOLED CONDENSING UNITS - Bitzer Compressors

## MODEL NUMBER NOMENCLATURE



NOMINAL COMPRESSOR HP		
SINGLE COMP.	DUAL PIPING	PARALLEL PIPING
15 HP	30 (2) 15 HP	-
20 HP	40 (2) 20 HP	-
22 HP	44 (2) 22 HP	44 (2) 22 HP
25 HP	50 (2) 25 HP	50 (2) 25 HP
27 HP	54 (2) 27 HP	54 (2) 27 HP
30 HP	60 (2) 30 HP	60 (2) 30 HP
35 HP	70 (2) 35 HP	70 (2) 35 HP
40 HP	80 (2) 40 HP	80 (2) 40 HP
50 HP	100 (2) 50 HP	100 (2) 50 HP

### QV-SERIES • SINGLE BITZER COMPRESSOR MODELS

TEMP. RANGE	NOM H.P.	MODEL NUMBER	COMPRESSOR NUMBER (1 Compressor)	FLOODED MODELS (KF)			NON-FLOODED MODELS (KB)			4 Year Compressor Protection Plan (NET PRICE)
				208-230V/3	460V/3	575V/3	208-230V/3	460V/3	575V/3	
Medium Temp.	15	W*BV015M4S*	4NE-20	\$46,941	\$47,710	48,861	\$46,658	\$47,452	\$48,316	\$1,250
	20	W*BV020M4S*	4JE-22	51,954	52,687	53,616	50,850	51,890	53,054	1,546
	25	W*BV025M4S*	4HE-25	62,040	62,720	64,011	60,780	61,830	62,987	1,728
	30	W*BV030M4S*	4GE-30	72,515	73,305	74,891	68,587	69,438	70,632	1,853
	35	W*BV035M4S*	6HE-35	82,127	82,597	84,509	79,096	79,312	80,993	1,952
	40	W*BV040M4S*	6GE-40	90,379	91,634	93,126	86,889	88,163	90,026	2,038
Low Temp.	50	W*BV050M4S*	6FE-50	N/A	109,394	N/A	N/A	103,891	N/A	2,307
	22	W*BV022L4S*	4GE-23	58,361	59,589	60,822	58,351	59,089	60,387	1,546
	27	W*BV027L4S*	6HE-28	67,555	68,094	69,275	66,247	67,442	68,254	1,728
	30	W*BV030L4S*	6GE-34	74,637	75,324	76,862	73,098	74,322	75,938	1,853
40	W*BV040L4S*	6FE-44	N/A	93,790	N/A	N/A	92,258	N/A	2,232	

### QV-SERIES • DUAL BITZER COMPRESSOR MODELS

TEMP. RANGE	NOM H.P.	MODEL NUMBER	COMPRESSOR NUMBER (2 Compressors)	FLOODED MODELS (KF)			NON-FLOODED MODELS (KB)			4 Year Compressor Protection Plan (NET PRICE)
				208-230V/3	460V/3	575V/3	208-230V/3	460V/3	575V/3	
Medium Temp.	30	W*BD030M4S*	4NE-20	\$93,885	\$95,421	\$97,723	\$93,315	\$94,903	\$96,634	\$2,500
	40	W*BD040M4S*	4JE-22	103,911	105,374	107,233	101,701	103,780	106,106	3,093
	50	W*BD050M4S*	4HE-25	124,081	125,442	128,023	121,560	123,662	125,972	3,457
	60	W*BD060M4S*	4GE-30	145,030	146,611	149,783	137,173	138,875	141,262	3,707
	70	W*BD070M4S*	6HE-35	164,253	165,194	169,018	158,192	158,625	161,985	3,904
	80	W*BD080M4S*	6GE-40	180,759	183,268	186,250	173,778	176,325	180,052	4,077
	100	W*BD100M4S*	6FE-50	N/A	218,789	N/A	N/A	207,782	N/A	4,613
Low Temp.	44	W*BD044L4S*	4GE-23	116,721	119,177	121,645	116,704	118,179	120,771	3,093
	54	W*BD054L4S*	6HE-28	135,110	136,188	138,551	132,494	134,884	136,509	3,457
	60	W*BD060L4S*	6GE-34	149,273	150,649	153,727	146,197	148,641	151,876	3,707
	80	W*BD080L4S*	6FE-44	N/A	187,581	N/A	N/A	184,516	N/A	4,464

### QV-SERIES • PARALLEL PIPED BITZER COMPRESSOR MODELS

TEMP. RANGE	NOM H.P.	MODEL NUMBER	COMPRESSOR NUMBER (2 Compressors)	FLOODED MODELS (KF)			NON-FLOODED MODELS (KB)			4 Year Compressor Protection Plan (NET PRICE)
				208-230V/3	460V/3	575V/3	208-230V/3	460V/3	575V/3	
Medium Temp.	50	W*BP050M4S	4HE-25	\$139,428	\$140,620	\$143,433	\$136,536	\$138,597	\$141,098	\$3,457
	60	W*BP060M4S	4GE-30	159,078	160,524	163,734	149,967	151,582	153,859	3,707
	70	W*BP070M4S	6HE-35	178,859	179,663	183,256	172,007	172,223	175,300	3,904
	80	W*BP080M4S	6GE-40	193,997	197,021	200,960	186,205	189,263	194,040	4,077
	100	W*BP100M4S	6FE-50	N/A	242,856	N/A	N/A	229,991	N/A	4,613
Low Temp.	44	W*BP044L4S	4GE-23	132,402	134,834	137,532	132,383	133,695	136,537	3,093
	54	W*BP054L4S	6HE-28	149,782	150,672	153,685	146,825	149,215	151,387	3,457
	60	W*BP060L4S	6GE-34	163,014	164,237	167,521	159,583	162,017	165,482	3,707
	80	W*BP080L4S	6FE-44	N/A	208,214	N/A	N/A	204,755	N/A	4,464

# QV-SERIES AIR COOLED CONDENSING UNITS • OPTIONS AND ACCESSORIES

## QV-SERIES • SINGLE COMPRESSOR MODEL OPTIONS

All options are factory mounted unless otherwise noted.

OPTION FAMILY	OPTION NAME	OPTION AVAILABLE ON MODELS:	LIST PRICE
Compressor Options	Compressor Unloading with Pressure Control for 1 Cycle Bank	BV015M, 020M-30M, 050M; 022L - 040L	\$2,328
	Compressor Unloading with Pressure Control for 2 Cycle Bank	035M & 045M	3,351
	Compressor Unloading: Moduload	DV015M	4,568
	Head Cooling Fan	All Models	1,927
	Liquid Injection	022L - 040L	4,231
Electrical and Control Panel Options	Air Defrost Time Clock	All Medium Temperature Models	621
	Anti-Short Cycle Timer	All Models	537
	Condenser Fan Breaker	015M -030M; 022L - 040L	811
	Condenser Fan Breaker	035M -050M	1,231
	Control Circuit Breaker	All Models	264
	EC Fan Motors with Electronic Variable Speed Control	015M -030M; 022L - 040L	Call Factory
	EC Fan Motors with Electronic Variable Speed Control	035M -050M	Call Factory
	Thru-the-door Fused Disconnect	Models with MOPD < 61A	1,639
	Thru-the-door Fused Disconnect	Models with 61A < MOPD < 101A	2,426
	Thru-the-door Fused Disconnect	Models with 101A < MOPD < 201A	4,157
	Thru-the-door Main Breaker	Models with MOPD ≤ 100A	2,095
	Thru-the-door Main Breaker	Models with 101A < MOPD < 201A	3,398
	Thru-the-door Non-Fused Disconnect	Models with MCA < 59A	1,476
	Thru-the-door Non-Fused Disconnect	Models with 59A < MCA > 99A	2,142
	Thru-the-door Non-Fused Disconnect	Models with 99A < MCA < 199A	3,542
	Phase-Loss Monitor - 250A	230V & 460V	1,036
	Phase-Loss Monitor - ICM450	230V	1,511
	Phase-Loss Monitor - ICM450	460V	1,074
Refrigeration Options	Crankcase Pressure Regulator Valves	015M	3,638
	Crankcase Pressure Regulator Valves	020M - 040M; 022L - 030L	4,582
	Crankcase Pressure Regulator Valves	050M & 040L	9,092
	Fan Cycling - Temperature or Pressure	All Flooded Models; Standard on Non-Flooded Models	1,634
	Heat Reclaim Valve	All Models	3,782
	Heated & Insulated Receiver	All Models	2,877
	Hot Gas Bypass Tee & Ball Valve	All Models	887
	Hot Gas Bypass Tee, Ball Valve & Regulator	All Models	5,141
	Liquid-line Filter Isolation Valve (Single Valve)	All Models	512
	Liquid Line Solenoid Valve (Shipped loose)	015M - 025M; 022L - 040L	624
	Liquid Line Solenoid Valve (Shipped loose)	030M - 035M	797
	Liquid Line Solenoid Valve (Shipped loose)	040M - 050M	1,205
	Oil Separator with Check Valve	015 - 030	2,079
	Oil Separator with Check Valve	035 - 050	3,701
	Oil Separator with Check Valve & Oil Return Service Kit	015 - 030	3,902
	Oil Separator with Check Valve & Oil Return Service Kit	035 - 050	5,526
	Oversized Receiver	All Models	1,224
	Receiver Level Gauge	All Models	1,518
	Suction Accumulator - Standard	015	2,742
	Suction Accumulator - Standard	020-050	3,171
	Suction Accumulator - Heat Exchanger	015	3,398
	Suction Accumulator - Heat Exchanger	020-050	5,261
	Suction-line Filter - Replaceable Core	015M	1,197
	Suction-line Filter - Replaceable Core	020M - 040M; 022L - 030L	1,492
	Suction-line Filter - Replaceable Core	050M & 040L	1,550
	Suction-line Filter Isolation Valves	015M	839
	Suction-line Filter Isolation Valves	020M - 040M; 022L - 030L	1,351
	Suction-line Filter Isolation Valves	050M & 040L	2,350
	Suction-line Insulation	All Models	1,487

# QV-SERIES AIR COOLED CONDENSING UNITS • OPTIONS AND ACCESSORIES

## QV-SERIES • DUAL COMPRESSOR MODEL OPTIONS

All options are factory mounted unless otherwise noted.

OPTION FAMILY	OPTION NAME	OPTION AVAILABLE ON MODELS:	LIST PRICE
<b>Compressor Options</b>	Compressor Unloading with Pressure Control for 1 Cycle Bank	BD030M, D040M - D060M, D100M; D044L - D080L	\$4,654
	Compressor Unloading with Pressure Control for 2 Cycle Bank	D070M & D080M	6,701
	Compressor Unloading: Moduload	DD030M	9,134
	Head Cooling Fan	All Models	3,853
	Liquid Injection	D044L - D080L	8,460
<b>Electrical and Control Panel Options</b>	Air Defrost Time Clock	All Medium Temperature Models	1,240
	Anti-Short Cycle Timer	All Models	1,074
	Condenser Fan Breaker	D030M -D060M; D044L - D080L	1,623
	Condenser Fan Breaker	D070M -D100M	2,463
	Control Circuit Breaker	All Models	264
	EC Fan Motors with Electronic Variable Speed Control	D030M -D060M; D044L - D080L	Call Factory
	EC Fan Motors with Electronic Variable Speed Control	D070M -D100M	Call Factory
	Fused Disconnect	Models with MOPD < 61A	1,639
	Thru-the-door Fused Disconnect	Models with 61A < MOPD < 101A	2,426
	Thru-the-door Fused Disconnect	Models with 101A < MOPD < 201A	4,157
	Thru-the-door Fused Disconnect	Models with MOPD ≤ 100A	2,095
	Thru-the-door Main Breaker	Models with 101A < MOPD < 201A	3,398
	Thru-the-door Main Breaker	Models with MCA < 59A	1,476
	Thru-the-door Non-Fused Disconnect	Models with 59A < MCA > 99A	2,142
	Thru-the-door Non-Fused Disconnect	Models with 99A < MCA < 199A	3,542
	Thru-the-door Non-Fused Disconnect	230V & 460V	2,072
Phase-Loss Monitor - ICM450	460V	2,150	
<b>Refrigeration Options</b>	Crankcase Pressure Regulator Valves	D030M	7,277
	Crankcase Pressure Regulator Valves	D040M - D080M; D044L - D060L	9,163
	Crankcase Pressure Regulator Valves	D100M & D080L	18,182
	Fan Cycling - Temperature or Pressure	All Flooded Models; Standard on Non-Flooded Models	3,269
	Heat Reclaim Valve	All Models	7,565
	Heated & Insulated Receiver	All Models	5,752
	Hot Gas Bypass Tee & Ball Valve	All Models	1,773
	Hot Gas Bypass Tee, Ball Valve & Regulator	All Models	10,280
	Liquid-line Filter Isolation Valve (Single Valve per Circuit)	All Models	1,023
	Liquid Line Solenoid Valve (Shipped loose)	030M - 050M; 044L - 080L	1,141
	Liquid Line Solenoid Valve (Shipped loose)	060M - 070M	1,593
	Liquid Line Solenoid Valve (Shipped loose)	080M - 100M	2,411
	Oil Separator with Check Valve	D030 - D060	4,158
	Oil Separator with Check Valve	D070 - D100	7,405
	Oil Separator with Check Valve & Oil Return Service Kit	D030 - D060	7,805
	Oil Separator with Check Valve & Oil Return Service Kit	D070 - D100	11,051
	Oversized Receiver	All Models	2,447
	Receiver Level Gauge	All Models	3,039
	Suction Accumulator - Standard	D030	5,485
	Suction Accumulator - Standard	D040-D100	6,343
	Suction Accumulator - Heat Exchanger	D030	6,797
	Suction Accumulator - Heat Exchanger	D040-D100	10,523
	Suction-line Filter - Replaceable Core	D030M	2,394
	Suction-line Filter - Replaceable Core	D040M - D080M; D044L - D060L	2,985
	Suction-line Filter - Replaceable Core	D100M & D080L	3,101
	Suction-line Filter Isolation Valves	D030M	1,680
	Suction-line Filter Isolation Valves	D040M - D080M; D044L - D060L	2,703
	Suction-line Filter Isolation Valves	D100M & D080L	4,702
Suction-line Insulation	All Models	2,975	

# QV-SERIES AIR COOLED CONDENSING UNITS • OPTIONS AND ACCESSORIES

## QV-SERIES • PARALLEL COMPRESSOR MODEL OPTIONS

All options are factory mounted unless otherwise noted.

OPTION FAMILY	OPTION NAME	OPTION AVAILABLE ON MODELS:	LIST PRICE
<b>Compressor Options</b>	Compressor Unloading with Pressure Control for 1 Cycle Bank	P050M - P060M, P100M; P044L - P080L	\$4,654
	Compressor Unloading with Pressure Control for 2 Cycle Bank	P070M & P080M	6,701
	Head Cooling Fan	All Models	3,853
	Liquid Injection	P044L - P080L	8,460
<b>Electrical and Control Panel Options</b>	Air Defrost Time Clock	All Medium Temperature Models	620
	Anti-Short Cycle Timer	All Models	537
	Condenser Fan Breaker	P050M -P060M; P044L - P080L	811
	Condenser Fan Breaker	P070M -P100M	1,231
	Control Circuit Breaker	All Models	264
	EC Fan Motors with Electronic Variable Speed Control	P050M -P060M; P044L - P080L	Call Factory
	EC Fan Motors with Electronic Variable Speed Control	P070M -P100M	Call Factory
	Thru-the-door Fused Disconnect	Models with MOPD < 61A	1,639
	Thru-the-door Fused Disconnect	Models with 61A < MOPD < 101A	2,426
	Thru-the-door Fused Disconnect	Models with 101A < MOPD < 201A	4,157
	Thru-the-door Main Breaker	Models with MOPD ≤ 100A	2,095
	Thru-the-door Main Breaker	Models with 101A < MOPD < 201A	3,398
	Thru-the-door Non-Fused Disconnect	Models with MCA < 59A	1,476
	Thru-the-door Non-Fused Disconnect	Models with 59A < MCA > 99A	2,142
	Thru-the-door Non-Fused Disconnect	Models with 99A < MCA < 199A	3,542
	Phase-Loss Monitor - 250A	230V & 460V	2,072
Phase-Loss Monitor - ICM450	460V	2,150	
<b>Refrigeration Options</b>	Crankcase Pressure Regulator Valves	P050M-P60M	9,092
	Crankcase Pressure Regulator Valves	P070M-P100M; P044L - P080L	10,698
	Fan Cycling - Temperature or Pressure	All Flooded Models; Standard on Non-Flooded Models	2,284
	Heat Reclaim Valve	All Models	3,782
	Heated & Insulated Receiver	All Models	2,877
	Hot Gas Bypass Tee & Ball Valve	All Models	887
	Hot Gas Bypass Tee, Ball Valve & Regulator	All Models	5,141
	Liquid-line Filter Isolation Valve (Single Valve)	All Models	512
	Liquid Line Solenoid Valve (Shipped loose)	050M - 060M	1,205
	Liquid Line Solenoid Valve (Shipped loose)	070M - 100M	2,078
	Liquid Line Solenoid Valve (Shipped loose)	044L - 080L	797
	Oversized Receiver	All Models	1,224
	Receiver Level Gauge	All Models	1,518
	Suction Accumulator - Standard	P050M-P60M	3,806
	Suction Accumulator - Standard	P070M-P100M; P044L - P080L	4,142
	Suction Accumulator - Heat Exchanger	P050M-P60M	5,261
	Suction Accumulator - Heat Exchanger	P070M-P100M; P044L - P080L	5,814
	Suction-line Filter - Replaceable Core	P050M-P60M	1,680
	Suction-line Filter - Replaceable Core	P070M-P100M; P044L - P080L	1,860
	Suction-line Filter Isolation Valves	P050M-P60M	2,350
Suction-line Filter Isolation Valves	P070M-P100M; P044L - P080L	3,711	
Suction-line Insulation	All Models	2,975	



# QV-SERIES AIR COOLED CONDENSING UNITS • DEFROST KITS

## ELECTRIC DEFROST KIT NOMENCLATURE

DL	A	24	-
<b>Defrost Kit Large Condenser</b>	<b>Heater Contactor</b> A: 1 Heater Contactor B: 2 Heater Contactor C: 3 Heater Contactor D: 4 Heater Contactor	<b>Max Total Heater Amp Value</b>	<b>Special Kit Codes</b> -1: 1 Evaporator with Multiple Heater Feeds -2: 2 Evaporators with Multiple Heater Feeds PP: Pressure Prop Kits for Large Evaporators

When selecting defrost kit, use the next higher amp value above the defrost load.  
All kits include 1 fan contactor and are suitable for 1 or 3 phase loads.  
Electrical resistance loads greater than 48 amps must be split into multiple circuits.

### ELECTRIC DEFROST KIT OPTIONS • SINGLE AND PARALLEL COMPRESSOR MODELS

1 HEATER CONTACTOR		2 HEATER CONTACTORS		3 HEATER CONTACTORS		4 HEATER CONTACTORS	
Defrost Kit Model	List Price (\$US)	Defrost Kit Model	List Price (\$US)	Defrost Kit Model	List Price (\$US)	Defrost Kit Model	List Price (\$US)
DLA24 <sup>1</sup>	\$1,713						
DLA30 <sup>1</sup>	1,780						
DLA35 <sup>1</sup>	2,004	DLB35 <sup>1</sup>	\$2,557	DLC35	\$3,493		
DLA40 <sup>1</sup>	2,004	DLB40 <sup>1 4</sup>	2,557	DLC40	3,493		
DLA48 <sup>1</sup>	2,004	DLB48 <sup>1 4</sup>	2,557	DLC48	3,493		
		DLB60 <sup>1 2</sup>	2,658	DLC60 <sup>1</sup>	3,493	DLD60 <sup>5</sup>	\$4,131
		DLB96 <sup>1 2</sup>	3,219	DLC96 <sup>1</sup>	3,704	DLD96 <sup>5</sup>	4,164
				DLC144 <sup>1</sup>	5,048	DLD144 <sup>3</sup>	5,082
						DLD192 <sup>3</sup>	5,340

Defrost Kit selected for Single and Parallel compressor models is for entire unit. Up to 4 contactors.  
<sup>1</sup>Defrost Kit Available with Pressure Prop Kit for Large Evaporators (Special Kit Code: PP)  
<sup>2</sup>Defrost Kit Available for Evaporator with Multiple Heater Feeds (Special Kit Code: -1)  
<sup>3</sup>Defrost Kit Available for 2 Evaporators with Multiple Heater Feeds (Special Kit Code: -2)  
 Defrost Kit Available for Evaporator with Multiple Heater Feeds & Pressure Prop Kit (Special Kit Code: -1PP)  
 Defrost Kit Available for 2 Evaporators with Multiple Heater Feeds & Pressure Prop Kit (Special Kit Code: -2PP)

### ELECTRIC DEFROST KIT OPTIONS • DUAL COMPRESSOR MODELS

1 HEATER CONTACTOR PER		2 HEATER CONTACTORS PER	
Defrost Kit Model	List Price (\$US)	Defrost Kit Model	List Price (\$US)
DLA24 <sup>1</sup>	\$3,425		
DLA30 <sup>1</sup>	3,560		
DLA35 <sup>1</sup>	4,007	DLB35 <sup>1</sup>	\$5,116
DLA40 <sup>1</sup>	4,007	DLB40 <sup>1</sup>	5,116
DLA48 <sup>1</sup>	4,007	DLB48 <sup>1</sup>	5,116
		DLB60 <sup>1 2 3</sup>	5,318
		DLB96 <sup>1 2 3</sup>	6,437

Defrost Kit selected is per compressor for Dual compressor models. Up to 2 contactors/compressor.  
<sup>1</sup>Defrost Kit Available with Pressure Prop Kit for Large Evaporators (Special Kit Code: PP)  
<sup>2</sup>Defrost Kit Available for Evaporator with Multiple Heater Feeds (Special Kit Code: -1)  
<sup>3</sup>Defrost Kit Available for Evaporator with Multiple Heater Feeds & Pressure Prop Kit (Special Kit Code: -1PP)

### ELECTRIC DEFROST KIT OPTIONS • FUSEBLOCK AND CIRCUIT BREAKERS

MAX HEATER AMPS	1 HEATER CONTACTOR		2 HEATER CONTACTORS		3 HEATER CONTACTORS		4 HEATER CONTACTORS	
	Fuseblock List Price Adder	Circuit Breaker List Price Adder	Fuseblock List Price Adder	Circuit Breaker List Price Adder	Fuseblock List Price Adder	Circuit Breaker List Price Adder	Fuseblock List Price Adder	Circuit Breaker List Price Adder
24	\$120	\$904						
30	160	1,407						
35	160	1,407	\$160	\$1,669	\$240	\$1,791		
40	160	1,407	160	1,669	240	1,791		
48	160	1,407	160	1,669	240	1,791		
60			224	2,806	343	2,961	\$369	\$3,101
96			287	2,823	392	3,774	475	3,890
144					496	3,902	649	4,685
192							652	4,734

Dual Compressor Units require 2 Fuseblocks & 2 Circuit Breaker, 1 per compressor. Up to 2 contactors/compressor.

### FAN CONTACTOR KIT OPTIONS • SINGLE AND PARALLEL COMPRESSOR MODELS

1 FAN CONTACTOR		
Kit Number	Max Motor Amps	List Price (\$US)
TMR-EF-15A	15	\$946
TMR-EF-30A	30	1,003

Kit Includes: Defrost Timer & Evaporator Fan Contactor

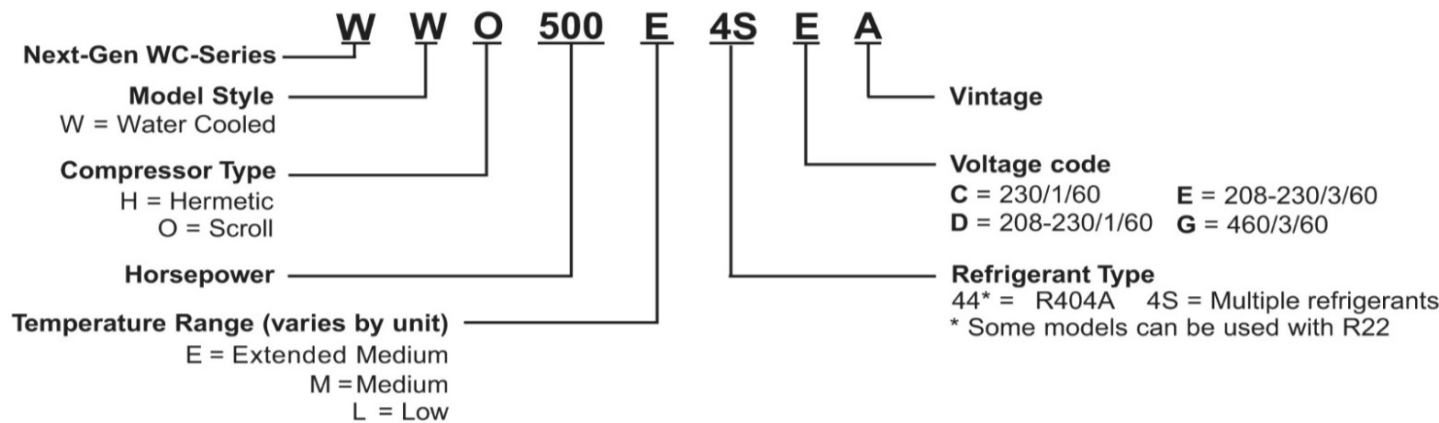
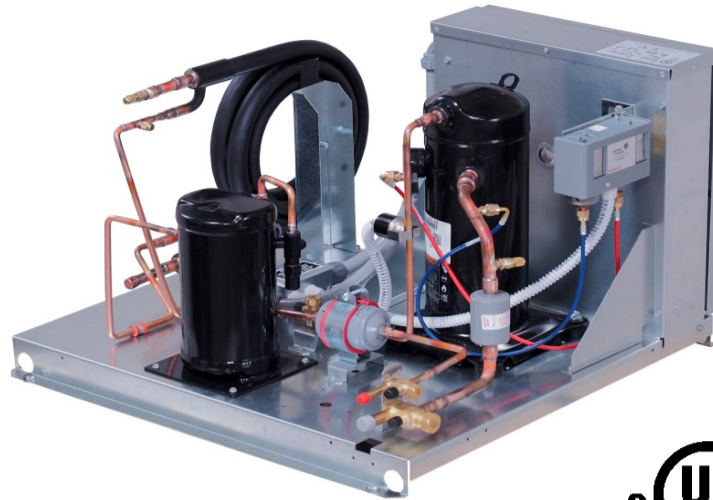
# NEXT-GEN WC-SERIES™ • INDOOR WATER COOLED CONDENSING UNITS

## 1/2 THRU 6 H.P.

### Standard Features (all models)

- Hermetic or Scroll compressors
- Galvanized steel base
- High efficiency water cooled coaxial condenser and heat exchange
- Mechanically formed pre-bent tubing for reduced leak potential
- **Liquid line kit with filter/drier and sight glass with moisture indicator**
- Suction line piping (filter optional)
- Suction and discharge service valves (as required)
- Base mounted shut-off valves
- Color-coded point-to-point wiring
- Large electrical control panel with hinged/removable door
- Refrigerant receiver with isolation valve and pressure relief plug
- Adjustable high and low pressure controls
- Control transformer (460V to 230V) as required
- Compressor contactor (1Ø or 3Ø), start kit (1Ø)
- Crankcase heater
- **Electronic defrost timer with defrost contactor/ relay on low temp. models (2 evaps. Maximum)**
- **Electronic air defrost timer (Medium temperature models)**

For defrost provisions see pages 38 & 39



### NEXT-GEN WC-SERIES • HERMETIC COMPRESSOR MODELS

Temp Range	NOM H.P.	Model Number	Compressor	BASE LIST PRICE (Includes Liquid Line Kit with Filter/Drier and Sight Glass with Moisture Indicator, and Defrost Timer or Kit)			Water Reg. Valve‡	Sealed Suction Line Filter	Suction Accum. ^	Pump Down Switch	4 Year Comp. Protection Plan	Approx. Ship Wt. (LBS)
				208-230V/3	208-230V/1	460V/3						
Medium Temp	1/2	WWH055E4S	RST45C1E	\$5,228			\$486	\$370	\$570	\$363	\$118 NET	152
	1/2	WWH080E4S	RST55C1E	5,336			486	370	570	363	118 NET	156
	3/4	WWH090E4S	RST64C1E	5,496			486	370	570	363	118 NET	160
	3/4	WWH100E4S	RST70C1E	5,936	\$6,138		486	370	570	363	118 NET	167
	1	WWH125E4S	RST97C1E	6,362	6,312		486	370	570	363	118 NET	195
	1-1/2	WWH150E44	CS10K6E	6,186	6,490	\$7,240	486	370	570	363	132 NET	205
	2	WWH200E44	CS12K6E	6,831	7,421		486	370	570	363	145 NET	228
	2-1/2	WWH250E44	CS14K6E	7,332	7,863	8,351	526	370	570	363	145 NET	235
Low Temp	3	WWH300E44	CS18K6E	8,676	8,986	9,341	526	440	880	363	159 NET	253
	3	WWH325E44	CS20K6E	9,093	9,433	9,742	526	440	880	363	159 NET	273
	1-1/2	WWH150L44	CF06K6E	6,219	6,386		486	370	570	363	132 NET	195
	2	WWH200L44	CF09K6E	6,460	6,625	7,146	486	370	570	363	145 NET	243
	3	WWH300L44	CF12K6E	9,169	9,390	9,541	526	440	880	363	159 NET	255

#### ADDITIONAL OPTIONS FOR NEXT-GEN WC-SERIES UNITS

DESCRIPTION	LIST PRICE
ANTI-SHORT CYCLE TIMER	\$747
PHASE LOSS MONITOR	1,265
CUPRONICKEL HEAT EXCHANGER AND WATER PIPING	CF
ELECTRONIC OIL PRESSURE CONTROL (SOPC)	912
TWO-TIERED STACKING RACK	CF

^ For pre-piped Suction Accumulator, the Sealed Suction Line Filter option must also be ordered.

CF = Contact Factory for pricing

#### ‡ OPTIONAL FIELD INSTALLED WATER REGULATING VALVE (ALL MODELS) SHIPPED LOOSE

The V46 pressure-actuated water-regulating valve size estimates are based on 65°F to 85°F coil inlet water temperature and the refrigerant pressure at 105°F saturated condensing. An adjustable water-pressure reducing valve (0 to 50 psi) is required upstream from the V46 valve, to reduce the inlet water pressure and achieve the required flowrates. Refer to the V46 Pressure-Actuated Water-Regulating Valve Product Bulletin, LIT-125687 on the Johnson Control QuickLIT website for complete information on sizing and adjusting V46 valves.

Water Flowrates (GPM)	Water Regulating Valve
1.5 to 11.5	V46AA-1C
11.5 to 21	V46AB-1C

# NEXT-GEN WC-SERIES™ • INDOOR WATER COOLED CONDENSING UNITS

1/2 THRU 6 H.P.

## NEXT-GEN WC-SERIES • SCROLL COMPRESSOR MODELS

Temp Range	NOM H.P.	Model Number	Compressor	BASE LIST PRICE (Includes Liquid Line Kit with Filter/Drier and Sight Glass with Moisture Indicator, and Defrost Timer or Kit)*			Water Reg. Valve‡	Sealed Suction Line Filter	Suction Accum.^	Pump Down Switch	4 Year Comp. Protection Plan	Approx. Ship Wt. (LBS)
				208-230V/3	208-230V/1	460V/3						
				Medium Temp	1/2	WWO060M4S						
1/2	WWO080M4S	ZB07KAE	9,430		9,462		486	370	570	363	217 NET	195
1	WWO100M4S	ZB08KAE	9,522		9,585		486	370	570	363	217 NET	195
1-1/3	WWO130E4S	ZS09KAE	9,627		9,724	\$10,080	486	370	570	363	217 NET	195
1-1/2	WWO150E4S	ZS11KAE	10,299		10,397	10,753	486	370	570	363	217 NET	205
1-3/4	WWO180E4S	ZS13KAE	10,544		10,641	10,997	486	370	570	363	217 NET	210
2	WWO200E4S	ZS15KAE	10,728		10,824	11,180	486	370	570	363	217 NET	215
2-1/2	WWO250E4S	ZS19KAE	10,850		10,970	11,391	526	370	570	363	217 NET	230
3	WWO300E4S	ZS21KAE	11,015		11,156	11,645	526	440	880	363	283 NET	305
3-1/2	WWO350E4S	ZS26KAE	11,704		11,853	12,201	526	440	880	363	283 NET	325
4	WWO400E4S	ZS29KAE	12,076		12,244	12,580	591	440	880	363	296 NET	352
4-1/2	WWO450E4S	ZS33KAE	11,922		12,091	12,530	591	440	880	363	304 NET	375
6	WWO500E4S	ZS38K4E	12,520		12,691	13,233	914	440	880	363	304 NET	383
6 1/2	WWO600E4S	ZS45K4E			14,649	14,884	914	440	880	363	304 NET	405
Low Temp	1	WWO100L4S	ZF03KAE	9,784	10,324		486	370	570	363	217 NET	230
	1-1/3	WWO130L4S	ZF04KAE	10,025	10,504		486	370	570	363	217 NET	230
	1-1/2	WWO160L4S	ZF05KAE	10,334	10,750		486	370	570	363	217 NET	230
	2	WWO230L4S	ZF07KAE	10,919	11,064	11,410	486	370	570	363	217 NET	230
	2-1/2	WWO250L4S	ZF08K4E	11,296	11,455	11,577	526	370	570	363	217 NET	240
	3	WWO300L4S	ZF09K4E	11,570	11,741	13,147	526	440	880	363	283 NET	245
	3-1/2	WWO350L4S	ZF11K4E	12,093	12,267	12,554	526	440	880	363	283 NET	255
	4	WWO400L4S	ZF13K4E	12,615	12,777	13,068	591	440	880	363	296 NET	352
	5	WWO500L4S	ZF15K4E	12,777	12,936	13,236	914	440	880	363	296 NET	367
	6	WWO600L4S	ZF18K4E		14,583	15,376	914	440	880	363	304 NET	383

### ADDITIONAL OPTIONS FOR NEXT-GEN WC-SERIES UNITS

DESCRIPTION	LIST PRICE
ANTI-SHORT CYCLE TIMER	\$747
PHASE LOSS MONITOR	1,265
CUPRONICKEL HEAT EXCHANGER AND WATER PIPING	CF
ELECTRONIC OIL PRESSURE CONTROL (SOPC)	912
TWO-TIERED STACKING RACK	CF

\* See page 50 for a complete list of features, voltage codes and an example of nomenclature layout.

^ For pre-piped Suction Accumulator, the Sealed Suction Line Filter option must also be ordered.

CF = Contact Factory for pricing

### ‡ OPTIONAL FIELD INSTALLED WATER REGULATING VALVE (ALL MODELS) SHIPPED LOOSE

The V46 pressure-actuated water-regulating valve size estimates are based on 65°F to 85°F coil inlet water temperature and the refrigerant pressure at 105°F saturated condensing. An adjustable water-pressure reducing valve (0 to 50 psi) is required upstream from the V46 valve, to reduce the inlet water pressure and achieve the required flowrates. Refer to the V46 Pressure-Actuated Water-Regulating Valve Product Bulletin, LIT-125687 on the Johnson Control QuickLIT website for complete information on sizing and adjusting V46 valves.

Water Flowrates (GPM)	Water Regulating Valve
1.5 to 11.5	V46AA-1C
11.5 to 21	V46AB-1C

## WRW SERIES • INDOOR WATER COOLED CONDENSING UNITS • 3 THRU 40 H.P.

WRW Series models are no longer available. Use Next-Gen WC-Series models where applicable.

## LEGACY WRN SERIES • SCROLL CONDENSING UNITS

WRN Series Remote Compressor models are no longer available.

# HEAT RECLAIM UNIT HEATERS



MODEL NUMBER	CFM	QTY OF FANS	MOTOR H.P.	LIST PRICE		APPROX. SHIP WT. (LBS.)
				208/230/1 460/1/60	208/230/3 460/3/60	
HACS001B-08	3,020					<b>Contact the Factory or your Sales Representative for Pricing.</b>
HACS001B-12	2,890					
HACS002B-08	2,840					
HACS003B-08	4,450					
HACS005B-10	3,900					
HACS008B-10	8,640					
HACS010B-10	7,780					
HACS012B-10	7,080					

Specify voltage and discharge orientation(horizontal or vertical) when ordering

## FREIGHT SURCHARGES

The following freight surcharges will be applied to orders (when applicable). For delivery and post delivery issues, the customer will be notified and a second invoice will be generated.

BASIC LTL FREIGHT SURCHARGES	NET Price <sup>†</sup>
Delivery Notification / Call before delivery	\$80
Lift Gate Service	249
Saturday Delivery Request	564
*Failed/Refused delivery attempt (minimum)	114
*Failed/Refused delivery attempt (Maximum)	1,414
Re-consignment fee	106
Storage (Per 100 LBS for each calendar day)	5

BASIC CONTRACT HAUL SURCHARGES	NET <sup>†</sup>
Cancelled truck not used	\$2,516
Re-consignment fee	902
Reconsignment cost per mile ( \$1566 Minimum)	3.00
Delay in unloading (4 hours or more past an appointment)	1,753

† Net prices are not to be discounted.

\* Refused Delivery fee will be calculated @ 13.00 cents per 100 LBS, subject to Minimum and Maximum charges shown above (per incident).

† Net prices are not to be discounted.

# APEX • TOP MOUNTED REFRIGERATION SYSTEM

On December 2, 2019, APEX units were discontinued. Limited supply available. Contact the factory.

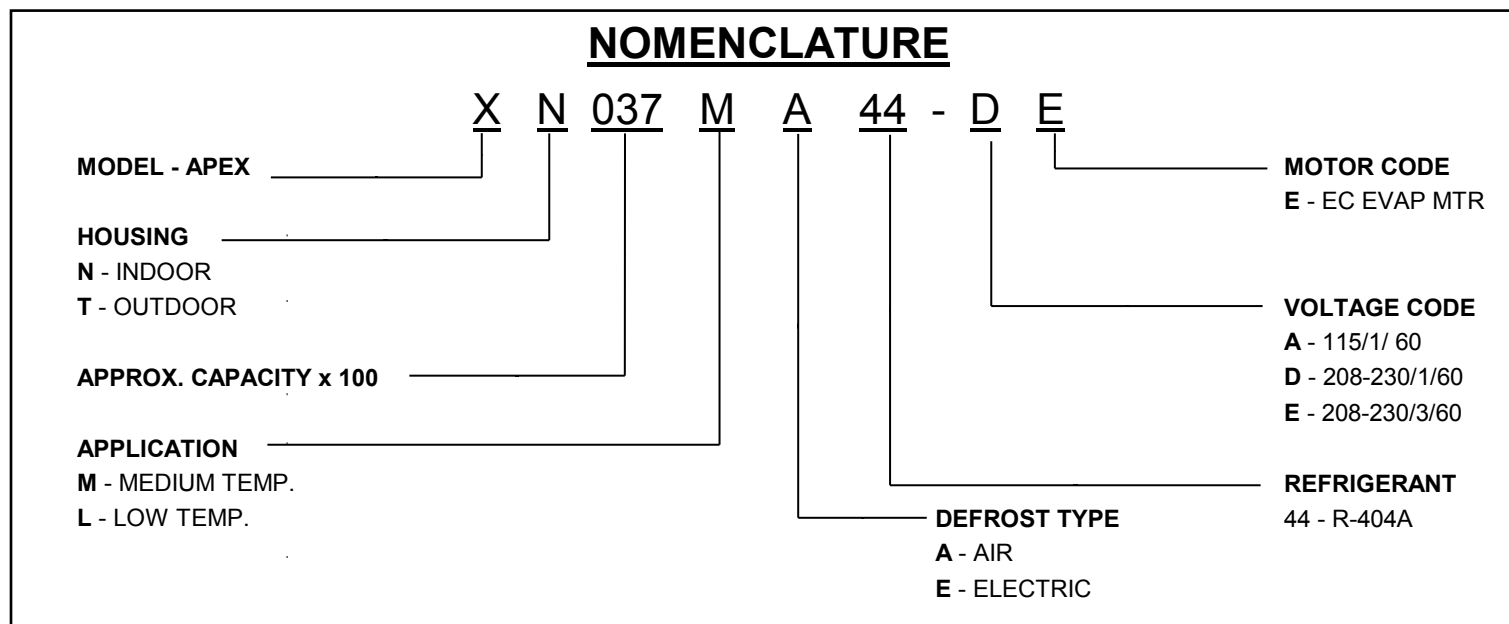
## Medium Temperature - Air Defrost

Model Number	Indoor List Price EC Evap Mtr	Outdoor List Price EC Evap Mtr	Indoor Power Cord	Volts/Ph/Hz	INDOOR NET / SHIP WT. (LBS.)	OUTDOOR NET / SHIP WT. (LBS.)	4 Year Compressor Protect. Plan Net Price
XN026MA44AE	\$6,155		Yes	115/1/60	120 / 185	N/A	\$87
XN029MA44AE	6,741		Yes	115/1/60	120 / 185	N/A	87
XN037MA44AE	6,952		Yes	115/1/60	125 / 190	N/A	87
XN050MA44AE	9,198		Yes	115/1/60	210 / 305	N/A	87
X*050MA44DE	9,205	\$10,454	Yes	208-230/1/60	210 / 305	220 / 360	87
X*068MA44DE	10,646	11,447	Yes	208-230/1/60	220 / 315	230 / 370	87
X*076MA44DE	11,374	12,462	Yes	208-230/1/60	220 / 315	230 / 375	87
X*106MA44DE	13,550	14,016	Yes	208-230/1/60	295 / 420	310 / 485	89
X*106MA44EE	12,712	13,969	No	208-230/3/60	305 / 430	320 / 495	89
X*134MA44DE	15,168	15,344	No	208-230/1/60	310 / 435	325 / 500	108
X*134MA44EE	13,902	15,255	No	208-230/3/60	310 / 435	325 / 500	108

## Low Temperature - Electric Defrost

Model Number	Indoor List Price EC Evap Mtr	Outdoor List Price EC Evap Mtr	Indoor Power Cord	Volts/Ph/Hz	INDOOR NET / SHIP WT. (LBS.)	OUTDOOR NET / SHIP WT. (LBS.)	4 Year Compressor Protect. Plan Net Price
XN018LE44AE	\$10,069		Yes	115/1/60	140 / 200	N/A	\$87
X*024LE44AE	11,447		Yes	115/1/60	210 / 305	N/A	87
X*024LE44DE	12,137	\$12,011	Yes	208-230/1/60	210 / 305	225 / 365	87
X*031LE44DE	12,089	13,501	Yes	208-230/1/60	245 / 340	255 / 400	87
X*043LE44DE	13,461	15,468	Yes	208-230/1/60	245 / 340	255 / 400	89
X*051LE44DE	15,446	17,464	Yes	208-230/1/60	315 / 445	320 / 510	89
X*051LE44EE	15,442	17,322	No	208-230/3/60	315 / 445	320 / 510	89
X*068LE44DE	16,573	18,599	No	208-230/1/60	320 / 450	335 / 515	105
X*068LE44EE	16,560	18,587	No	208-230/3/60	320 / 450	335 / 515	105

## NOMENCLATURE



### Saving Time and Money

- Fully factory assembled, charged and tested.
  - No piping or loose components to install which saves you labor cost \$\$\$.
  - Adjustable digital controller is preset for typical cooler or freezer applications.
  - **Two-year warranty on all parts\***
- See Apex IOM M900 for full Warranty Disclosure
- \* Insert character for housing code or motor code as applicable

### Quick Installation

- Installs in a fraction of the time it takes for a typical split refrigeration systems.
- The supply/return register mounts flush with a standard 4" ceiling panel which provides for more storage in your cooler or freezer.
- Condensate is evaporated so no drain line is required on indoor models.
- Outdoor models come standard with a roof and drain line connection (see drawing in Catalog WT-XNT).



## Standard Features

- Inverter Duty rail mounted motors
- Vertical air flow
- Motors with inherent thermal overload protection
- 3/8" refrigerant saving copper tube, aluminum fin coils\*
- 650 PSIG working pressure
- Vinyl coated heavy gauge steel fan guards
- Swept wing fan/Venturi improves airflow and sound
- Hinged Venturi panels for easy servicing
- Hinged leg design for simple installation
- Proprietary floating coil design
- Thru-the-door non-fused disconnect switch
- Heavy gauge painted galvanized steel construction
- Heavy duty lifting eyes for equipment rigging
- UL and cUL listed for outdoor use
- LED control panel lighting
- California Title 24 compliant - see pages 58-59 for applicable models and details

## Options

- Fan cycling head pressure control
- Flooded head pressure control
- Subcooling circuit
- Horizontal air flow
- Multi-circuited coils
- Wide selection of fin coatings and materials
- Individual motor fusing
- Individual or paired motor contactors
- EMS control options
- Variable frequency drives
- Multiple control panel locations
- Multiple refrigerant options
- Thru-the-door fused disconnect
- Main circuit breaker disconnect
- Leg height up to 46" (18" standard)
- Fixed box style legs (25")

## QUANTUM AIR™ AIR COOLED CONDENSER NOMENCLATURE - LARGE MODELS (Pages 57-59)

W	D	D	0	8	7	G	D	3	A	
1	2	3	4	5	6	7	8	9	10	
Position Number and Description										
<b>1</b>	<b>Model Series</b> - W = Witt					<b>8</b>	<b>Motor</b>			
<b>2</b>	<b>Unit Type</b> - D = Condenser						B – 1140 RPM, 1.5 HP Motor			
<b>3</b>	<b>Width</b>						D – 850 RPM, 1.5 HP Motor			
	S = Single Wide						L – 850 RPM 1 HP Motor			
	D = Double Wide						E – 550 RPM, 1/3 HP Motor			
<b>4-6</b>	<b>Capacity (MBTUH)**</b>						G – 900 RPM Variable Speed EC Motor (Rail Mtd.)			
<b>7</b>	<b>Voltage Code</b>						K – 1200 RPM Variable Speed EC Motor (Rail Mtd.)			
	E – 208-230V/3/60						(Enclosed Motors are an option available for certain Voltage/RPM combinations)			
	G – 460V/3/60						<b>9</b>			
	J – 575V/3/60						<b>Number of Fans Long</b> - 1 to 7			
	N – 200-220V/3/50						<b>10</b>			
	Q – 380V/3/50						<b>Vintage Code</b>			
	X – Other - Non-catalogued									

## AIR COOLED CONDENSER NOMENCLATURE - SMALL MODELS (Page 56)

W	D	S	007	D	A	2	B	1	2	A	1	A
I	II	III	IV	V	VI	VII	VIII	IX	X	XI	XII	XIII
<b>I. Model Series</b>	W – Witt						<b>IX. Coil Material and Coating Options*</b>					
<b>II. Unit Type</b>	D – Condenser							1 – Aluminum fins				
<b>III. Series</b>	S – Single fan wide							2 – Copper fins				
<b>IV. Capacity – Three Number Characters</b>								3 – Al + AST coating				
<b>V. Voltage Code</b>	A – 115V/1/60      H – 575V/1/60							6 – Al + Heresite				
	D – 208-230V/1/60      X – Other							7 – Al + Polyester coat - Pre Coated Fin Material				
	E – 208-230V/3/60							X – Other				
	F – 460V/1/60      Codes D, E, F, and G can							<b>X. Housing Material and Coatings*</b>				
	G – 460V/3/60      be used with 50 or 60 Hz power							1 – Aluminum      7 – Stainless Steel 316L				
<b>VI. Motor/Fan Type</b>	A – 1140 RPM, 0.33 HP, Metal Blade							2 – Galvanized      X – Other				
	C – 850 RPM, 0.25 HP, Metal Blade							<b>XI. Unit Design Configuration</b>				
	H – 1140 RPM, 0.5 HP Totally Enclosed, Metal Blade							A – Vertical Fan Discharge, Standard Legs				
	X – Other							E – Vertical Fan Discharge, 30" Legs				
<b>VII. Length in Fans – 1 or 2</b>								N – Horizontal Fan Discharge, Standard Legs				
<b>VIII. Coil Density</b>	A – 8 fpi      D – 14 fpi							<b>XII. Circuit Splitting Options</b>				
	B – 10 fpi      X – Other							1 – Full				
	C – 12 fpi							2 – 50/50				
								X – Other				
								<b>XIII. Revision Code – Single Alphanumeric Character</b>				
								A – Initial Release				

\* Contact Application Engineering to obtain price quotes for special fin materials or coatings.

When ordering please specify: Motor Voltage, Control Voltage (24, 115V or 208V), Internal or External Control Power, Design Ambient Temperature, the number of compressor systems and FPI required. Also provide the Refrigerant type, THR, T.D. for each compressor system.

## SMALL CONDENSERS

### 1075 RPM .33 HP MOTORS

Model Number	10 FPI List Price	Fan Configuration	Approx Net Weight (LBS.)
WDS001DA1B12A1A	\$2,581	1 x 1	80
WDS002DA1B12A1A	3,386	1 x 1	86
WDS003DA1B12A1A	3,783	1 x 1	107
WDS005DA1B12A1A	6,914	1 x 1	116
WDS007DA2B12A1A	8,657	1 x 2	164
WDS009DA2B12A1A	10,597	1 x 2	179
WDS011DA2B12A1A	11,898	1 x 2	195

### 850 RPM .25 HP MOTORS

Model Number	10 FPI List Price	Fan Config.	Approx Net Weight (LBS.)
WDS001DC1B12A1A	\$2,830	1 x 1	80
WDS002DC1B12A1A	4,060	1 x 1	86
WDS003DC1B12A1A	4,643	1 x 1	107
WDS004DC1B12A1A	7,328	1 x 1	116
WDS006DC2B12A1A	9,038	1 x 2	164
WDS008DC2B12A1A	11,363	1 x 2	179
WDS009DC2B12A1A	12,351	1 x 2	195

### 1075 RPM .33 HP MOTORS - Totally Enclosed

Model Number	10 FPI List Price	Fan Config.	Approx. Net Weight (LBS.)
WDS001DH1B12A1A	\$3,755	1 x 1	80
WDS002DH1B12A1A	4,562	1 x 1	86
WDS003DH1B12A1A	4,959	1 x 1	107
WDS005DH1B12A1A	8,087	1 x 1	116
WDS007DH2B12A1A	11,007	1 x 2	164
WDS009DH2B12A1A	12,946	1 x 2	179
WDS011DH2B12A1A	14,246	1 x 2	195

#### POSITION V - Available Voltage Options\*

Voltage Code	Adders Per Fan section	Available Based Upon Position VI - Motor Options
A-115/1/60	N/C	Only available with motor option A
D-208-230/1/60	—	Available with motor options A & C
E-208-230/3/60	\$137	Available with motor options A, C, & H
F-460/1/60	N/C	Available with motor options A & C
G-460/3/60	\$137	Available with motor options A, C, & H
H-575/1/60	\$54	Only available with motor option A

Note: "N/A" = Not available, "N/C" = No additional charge, "—" = Base Model Feature

#### POSITION VI - Available Motor / Fan Type Options

Motor Type	Adder Per Fan	Available Based Upon Position V - Voltage Options
A- 1075, 0.33HP	—	Available in Voltage codes A, D, E, F, G, H
C- 850 RPM, 0.25HP	—	Available in Voltage codes D, E, F, G
H - 1075, 0.5 HP	—	Available in Voltage codes E, G

Note: "N/A" = Not available, "N/C" = No additional charge, "—" = Base Model Feature

#### Position - VII - Indicates Length in Fans (1 or 2)

#### Position - VIII - Coil Density Options Price Add or Deduct (8FPI)

Fan Configuration	A - 8 FPI	B - 10 FPI	C - 12 FPI	D - 14 FPI
1 X 1	(\$407)	—	\$423	\$847
1 X 2	(\$813)	—	\$847	\$1,690

Note: "N/A" = Not available, "N/C" = No additional charge, "—" = Base Model Feature

#### Position - IX - Coil Material and Coating Options\*\*

Aluminum fins (Standard) / Copper fins / Other

No Coating (Standard) / Al + AST coating / Al + Heresite coating / Al + Polyester coat - Pre Coated Fin Material / Other

#### Position - X - Housing Material and Coating Options\*\*

Galvanized (Standard) / Aluminum / Stainless Steel 316L / Other

#### Position - XI - Unit Design Configuration

Leg Configuration	Fan Config. 1 x 1	Fan Config. 1 x 2
A – Vertical Fan Discharge, Standard 15" Legs	—	—
E – Vertical Fan Discharge, 30" Legs	\$153	\$306
N – Horizontal Fan Discharge, Standard Legs	—	—

#### Position - XII - Circuit Splitting Options\*\*

Full (Standard) / 50/50 / Multi-Circuiting / Subcooling Circuit / Other

#### Available Options\*\*

Fan cycling head pressure control (2 fan model only)

Variable speed fan control (header end fan only)

Flooded head pressure control (shipped loose)

#### Notes:

\* Codes D, E, F and G can be used with 50 or 60 Hz power.

\*\* Contact Application Engineering to obtain price quotes for special fin materials, coating, circuit splitting and available options.

1. Horizontal discharge orientation is available using standard leg arrangement code A.

2. Floating coil is not available for small condensers.



# QUANTUM AIR™ LARGE CONDENSERS

## 1140 RPM 1.5 HP MOTORS (Code B)

### SINGLE FAN WIDTH

Model Number	8 FPI	10 FPI	12 FPI	14 FPI	Fans	Approx. Net Weight (LBS.)
WDS004^B1	\$7,577	\$8,030	\$8,482	\$8,935	1 x 1	350
WDS006^B1	9,647	10,099	10,552	11,004	1 x 1	375
WDS007^B1	10,773	11,226	11,678	12,131	1 x 1	400
WDS012^B2	15,849	16,753	17,658	18,563	1 x 2	725
WDS015^B2	21,814	22,719	23,624	24,528	1 x 2	750
WDS018^B2	25,849	26,754	27,659	28,564	1 x 2	775
WDS022^B3	31,900	33,257	34,614	35,972	1 x 3	1,125
WDS027^B3	37,142	38,499	39,856	41,213	1 x 3	1,150
WDS030^B4	44,568	46,378	48,187	49,997	1 x 4	1,500
WDS036^B4	50,415	52,225	54,034	55,844	1 x 4	1,525
WDS039^B5	55,606	57,868	60,130	62,392	1 x 5	1,875
WDS047^B5	64,694	66,956	69,218	71,480	1 x 5	1,900
WDS056^B6	77,422	80,136	82,851	85,565	1 x 6	2,275
WDS065^B7	90,972	94,139	97,306	100,472	1 x 7	2,650

## 850 RPM 1.5 HP MOTORS (Code D)

### SINGLE FAN WIDTH

Model Number	8 FPI	10 FPI	12 FPI	14 FPI	Fans	Approx. Net Weight (LBS.)
WDS004^D1	\$7,499	\$7,952	\$8,404	\$8,857	1 x 1	350
WDS005^D1	9,586	10,038	10,490	10,943	1 x 1	375
WDS007^D1	10,682	11,134	11,587	12,039	1 x 1	400
WDS010^D2	16,207	17,112	18,017	18,922	1 x 2	725
WDS014^D2	21,748	22,653	23,558	24,463	1 x 2	750
WDS015^D2	24,118	25,022	25,927	26,832	1 x 2	775
WDS021^D3	32,092	33,450	34,807	36,164	1 x 3	1,125
WDS024^D3	36,334	37,692	39,049	40,406	1 x 3	1,150
WDS028^D4	43,586	45,396	47,206	49,015	1 x 4	1,500
WDS032^D4	48,877	50,686	52,496	54,306	1 x 4	1,525
WDS035^D5	53,294	55,556	57,818	60,080	1 x 5	1,875
WDS043^D5	63,976	66,238	68,500	70,762	1 x 5	1,900
WDS052^D6	76,767	79,481	82,195	84,910	1 x 6	2,275
WDS060^D7	90,008	93,175	96,341	99,508	1 x 7	2,650

### DOUBLE FAN WIDTH

Model Number	8 FPI	10 FPI	12 FPI	14 FPI	Fans	Approx. Net Weight (LBS.)
WDD022^B2	\$32,731	\$34,540	\$36,350	\$38,160	2 x 2	1,500
WDD030^B2	43,552	45,362	47,171	48,981	2 x 2	1,525
WDD036^B2	50,718	52,527	54,337	56,146	2 x 2	1,550
WDD045^B3	65,146	67,860	70,574	73,289	2 x 3	2,275
WDD054^B3	76,218	78,933	81,647	84,362	2 x 3	2,300
WDD059^B4	87,224	90,843	94,462	98,081	2 x 4	3,025
WDD072^B4	100,676	104,295	107,915	111,534	2 x 4	3,050
WDD078^B5	111,212	115,736	120,260	124,784	2 x 5	3,775
WDD094^B5	129,586	134,110	138,634	143,158	2 x 5	3,800
WDD113^B6	154,824	160,253	165,681	171,110	2 x 6	4,550
WDD131^B7	182,388	188,722	195,055	201,389	2 x 7	5,300

### DOUBLE FAN WIDTH

Model Number	8 FPI	10 FPI	12 FPI	14 FPI	Fans	Approx. Net Weight (LBS.)
WDD019^D2	\$31,533	\$33,342	\$35,152	\$36,962	2 x 2	1,500
WDD028^D2	43,425	45,235	47,044	48,854	2 x 2	1,525
WDD031^D2	47,424	49,234	51,043	52,853	2 x 2	1,550
WDD041^D3	64,588	67,303	70,017	72,731	2 x 3	2,275
WDD048^D3	73,335	76,049	78,763	81,478	2 x 3	2,300
WDD055^D4	87,267	90,887	94,506	98,125	2 x 4	3,025
WDD065^D4	97,959	101,578	105,197	108,816	2 x 4	3,050
WDD069^D5	106,544	111,068	115,592	120,116	2 x 5	3,775
WDD086^D5	128,178	132,702	137,226	141,750	2 x 5	3,800
WDD103^D6	153,610	159,039	164,468	169,896	2 x 6	4,550
WDD121^D7	180,039	186,372	192,706	199,039	2 x 7	5,300

^ Insert voltage code here.

\$245 List price adder per fan 575/3/60 motors.

\$943 List Price adder (per fan) for Totally Enclosed Motor.

^ Insert voltage code here.

575V motors are not available for units with 850RPM, 1.5 HP motors.

# QUANTUM AIR™ LARGE CONDENSERS

## 850 RPM 1.0 HP MOTORS (Code L)<sup>†</sup>

### SINGLE FAN WIDTH

Model Number	8 FPI	10 FPI	12 FPI	14 FPI	Fans	Approx. Net Weight (LBS.)
WDS004^L1	\$7,010	\$7,462	\$7,914	\$8,367	1 x 1	350
WDS006^L1	9,074	9,526	9,979	10,431	1 x 1	375
WDS008^L1	10,846	11,299	11,751	12,203	1 x 1	400
WDS010^L2	15,221	16,126	17,031	17,936	1 x 2	725
WDS012^L2	19,205	20,109	21,014	21,919	1 x 2	750
WDS015^L2	23,218	24,123	25,028	25,932	1 x 2	775
WDS019^L3	30,337	31,694	33,051	34,408	1 x 3	1,125
WDS023^L3	34,719	36,077	37,434	38,791	1 x 3	1,150
WDS026^L4	42,002	43,812	45,622	47,431	1 x 4	1,500
WDS030^L4	47,638	49,448	51,257	53,067	1 x 4	1,525
WDS032^L5	51,156	53,418	55,680	57,942	1 x 5	1,875
WDS040^L5	63,008	65,270	67,532	69,794	1 x 5	1,900
WDS048^L6	76,024	78,738	81,453	84,167	1 x 6	2,275
WDS056^L7	88,963	92,129	95,296	98,463	1 x 7	2,650

## 550 RPM 1/3 HP MOTORS (Code E)<sup>†</sup>

### SINGLE FAN WIDTH

Model Number	8 FPI	10 FPI	12 FPI	14 FPI	Fans	Approx. Net Weight (LBS.)
WDS004^E1	\$8,093	\$8,546	\$8,998	\$9,450	1 x 1	350
WDS005^E1	9,528	9,981	10,433	10,886	1 x 1	375
WDS006^E1	10,735	11,187	11,640	12,092	1 x 1	400
WDS008^E2	15,954	16,858	17,763	18,668	1 x 2	725
WDS011^E2	21,027	21,932	22,836	23,741	1 x 2	750
WDS012^E2	23,253	24,158	25,063	25,968	1 x 2	775
WDS016^E3	32,182	33,539	34,896	36,253	1 x 3	1,125
WDS018^E3	35,268	36,626	37,983	39,340	1 x 3	1,150
WDS021^E4	44,112	45,921	47,731	49,540	1 x 4	1,500
WDS025^E4	49,459	51,269	53,078	54,888	1 x 4	1,525
WDS028^E5	56,042	58,304	60,566	62,828	1 x 5	1,875
WDS032^E5	62,114	64,376	66,638	68,900	1 x 5	1,900
WDS040^E6	79,033	81,747	84,462	87,176	1 x 6	2,275
WDS046^E7	92,397	95,564	98,730	101,897	1 x 7	2,650

### DOUBLE FAN WIDTH

Model Number	8 FPI	10 FPI	12 FPI	14 FPI	Fans	Approx. Net Weight (LBS.)
WDD017^L2	\$29,328	\$31,138	\$32,947	\$34,757	2 x 2	1,500
WDD026^L2	41,986	43,795	45,605	47,415	2 x 2	1,525
WDD030^L2	47,657	49,467	51,276	53,086	2 x 2	1,550
WDD038^L3	63,486	66,200	68,915	71,629	2 x 3	2,275
WDD046^L3	74,077	76,792	79,506	82,220	2 x 3	2,300
WDD051^L4	85,251	88,870	92,489	96,108	2 x 4	3,025
WDD060^L4	97,095	100,715	104,334	107,953	2 x 4	3,050
WDD063^L5	103,483	108,007	112,531	117,055	2 x 5	3,775
WDD080^L5	127,705	132,229	136,753	141,277	2 x 5	3,800
WDD097^L6	153,376	158,805	164,234	169,662	2 x 6	4,550
WDD113^L7	179,763	186,097	192,430	198,764	2 x 7	5,300

### DOUBLE FAN WIDTH

Model Number	8 FPI	10 FPI	12 FPI	14 FPI	Fans	Approx. Net Weight (LBS.)
WDD016^E2	\$34,199	\$36,009	\$37,819	\$39,628	2 x 2	1,500
WDD021^E2	44,112	45,921	47,731	49,540	2 x 2	1,525
WDD025^E2	49,019	50,829	52,639	54,448	2 x 2	1,550
WDD032^E3	67,689	70,404	73,118	75,833	2 x 3	2,275
WDD037^E3	74,133	76,848	79,562	82,276	2 x 3	2,300
WDD043^E4	90,564	94,183	97,803	101,422	2 x 4	3,025
WDD050^E4	100,895	104,514	108,133	111,752	2 x 4	3,050
WDD055^E5	115,534	120,058	124,582	129,106	2 x 5	3,775
WDD063^E5	126,840	131,364	135,888	140,412	2 x 5	3,800
WDD080^E6	160,835	166,264	171,693	177,121	2 x 6	4,550
WDD093^E7	187,020	193,354	199,687	206,021	2 x 7	5,300

^ Insert voltage code here.

575V motors are not available for units with 550RPM, 1/3 HP motors.

\$943 List Price adder (per fan) for Totally Enclosed Motor. Not available for 550 RPM models.

† These models fulfill California Title 24 condenser efficiency requirements when utilizing Variable Frequency Drives and 10 FPI coils.

# QUANTUM AIR™ LARGE CONDENSERS

## VSEC 1200 RPM (Code K)

### SINGLE FAN WIDTH

Model Number	8 FPI	10 FPI	12 FPI	14 FPI	Fans	Approx. Net Weight (LBS.)
WDS005^K1	\$13,748	\$14,200	\$14,653	\$15,105	1 x 1	350
WDS006^K1	15,817	16,270	16,722	17,175	1 x 1	375
WDS008^K1	16,945	17,397	17,850	18,302	1 x 1	400
WDS013^K2	28,189	29,094	29,999	30,904	1 x 2	725
WDS016^K2	34,155	35,059	35,964	36,869	1 x 2	750
WDS019^K2	38,190	39,095	39,999	40,904	1 x 2	775
WDS024^K3	50,412	51,769	53,126	54,484	1 x 3	1,125
WDS028^K3	55,652	57,010	58,367	59,724	1 x 3	1,150
WDS032^K4	69,250	71,060	72,870	74,679	1 x 4	1,500
WDS038^K4	75,097	76,907	78,717	80,526	1 x 4	1,525
WDS041^K5	86,457	88,719	90,981	93,243	1 x 5	1,875
WDS049^K5	95,547	97,809	100,071	102,333	1 x 5	1,900
WDS059^K6	114,445	117,159	119,874	122,588	1 x 6	2,275
WDS069^K7	134,164	137,331	140,498	143,665	1 x 7	2,650

## VSEC 900 RPM (Code G)

### SINGLE FAN WIDTH

Model Number	8 FPI	10 FPI	12 FPI	14 FPI	Fans	Approx. Net Weight (LBS.)
WDS004^G1	\$13,748	\$14,200	\$14,653	\$15,105	1 x 1	350
WDS005^G1	15,817	16,270	16,722	17,175	1 x 1	375
WDS007^G1	16,945	17,397	17,850	18,302	1 x 1	400
WDS010^G2	28,189	29,094	29,999	30,904	1 x 2	725
WDS014^G2	34,155	35,059	35,964	36,869	1 x 2	750
†WDS015^G2*	38,190	39,095	39,999	40,904	1 x 2	775
WDS021^G3	50,412	51,769	53,126	54,484	1 x 3	1,125
†WDS025^G3*	55,652	57,010	58,367	59,724	1 x 3	1,150
WDS028^G4	69,250	71,060	72,870	74,679	1 x 4	1,500
†WDS033^G4*	75,097	76,907	78,717	80,526	1 x 4	1,525
WDS035^G5	86,457	88,719	90,981	93,243	1 x 5	1,875
†WDS044^G5*	95,547	97,809	100,071	102,333	1 x 5	1,900
†WDS052^G6*	114,445	117,159	119,874	122,588	1 x 6	2,275
†WDS061^G7*	134,164	137,331	140,498	143,665	1 x 7	2,650

### DOUBLE FAN WIDTH

Model Number	8 FPI	10 FPI	12 FPI	14 FPI	Fans	Approx. Net Weight (LBS.)
WDD023^K2	\$57,413	\$59,223	\$61,032	\$62,842	2 x 2	1,500
WDD032^K2	68,234	70,044	71,854	73,663	2 x 2	1,525
WDD038^K2	75,400	77,210	79,019	80,829	2 x 2	1,550
WDD047^K3	102,168	104,882	107,596	110,311	2 x 3	2,275
WDD057^K3	113,240	115,955	118,669	121,384	2 x 3	2,300
WDD063^K4	136,587	140,207	143,826	147,445	2 x 4	3,025
WDD075^K4	150,039	153,658	157,277	160,896	2 x 4	3,050
WDD082^K5	172,918	177,442	181,966	186,490	2 x 5	3,775
WDD099^K5	191,290	195,814	200,338	204,862	2 x 5	3,800
WDD118^K6	228,869	234,297	239,726	245,155	2 x 6	4,550
WDD138^K7	268,784	275,117	281,451	287,785	2 x 7	5,300

### DOUBLE FAN WIDTH

Model Number	8 FPI	10 FPI	12 FPI	14 FPI	Fans	Approx. Net Weight (LBS.)
WDD020^G2	\$57,413	\$59,223	\$61,032	\$62,842	2 x 2	1,500
WDD028^G2	68,234	70,044	71,854	73,663	2 x 2	1,525
†WDD032^G2*	75,400	77,210	79,019	80,829	2 x 2	1,550
WDD042^G3	102,168	104,882	107,596	110,311	2 x 3	2,275
†WDD049^G3*	113,240	115,955	118,669	121,384	2 x 3	2,300
WDD056^G4	136,587	140,207	143,826	147,445	2 x 4	3,025
†WDD065^G4*	150,039	153,658	157,277	160,896	2 x 4	3,050
WDD070^G5	172,918	177,442	181,966	186,490	2 x 5	3,775
†WDD087^G5*	191,290	195,814	200,338	204,862	2 x 5	3,800
†WDD105^G6*	228,869	234,297	239,726	245,155	2 x 6	4,550
†WDD122^G7*	268,784	275,117	281,451	287,785	2 x 7	5,300

^ Insert voltage code here.

^ Insert voltage code here.

† These selected models fulfill California Title 24 condenser efficiency requirements when utilizing 10 FPI coils.

# Large Air Cooled Condenser Options

## Fan configuration

	1X1	1X2	1X3	1X4	1X5	1X6	1X7	2X2	2X3	2X4	2X5	2X6	2X7
<b>Disconnect Options</b>													
Through the door non-fused disconnect	Standard												
Through the door fused disconnect	\$495	495	838	952	1,046	1,144	1,239	952	1,144	1,476	1,811	2,147	2,479
Main Power Circuit Breaker	\$1,016	1,016	1,257	1,257	1,257	1,257	1,257	1,257	1,257	1,348	1,348	1,348	1,348
Bladed Safety Switch, Non-fused	\$905	905	1,744	1,744	1,744	1,744	1,744	1,744	1,744	2,201	2,201	2,201	2,201
110 VAC - 20 Amp Convenience Outlet powered by separate building feed or transformer	\$365	365	365	365	365	365	365	365	365	365	365	365	365
<b>Fan Cycling Options - Requires Contactor Option</b>													
Ambient fan cycling <sup>†</sup>	—	\$1,010	1,377	1,835	2,290	2,749	3,208	1,010	1,377	1,835	2,290	2,749	3,208
Mechanical Pressure fan cycling (per circuit) W/O Header <sup>†</sup>	—	\$1,518	1,662	2,215	2,770	3,324	3,875	1,518	1,662	2,215	2,770	3,324	3,875
Mechanical Pressure fan cycling (per circuit) W/ Header <sup>†</sup>	—	\$1,935	2,491	3,048	3,606	4,162	4,730	1,935	2,491	3,048	3,606	4,162	4,730
Electronic Pressure fan cycling (per circuit) W/O Header <sup>†</sup>	—	\$1,576	1,975	3,280	4,586	5,891	6,918	1,576	1,975	3,280	4,586	5,891	6,918
Electronic Pressure fan cycling (per circuit) W/ Header <sup>†</sup>	—	\$2,238	3,542	4,847	6,154	7,170	8,425	2,238	3,542	4,847	6,154	7,170	8,425
Note: Header fan is continuous run and not cycled.													
<b>Electronic Header End Fan Speed Control - Req. Contactor &amp; Fan Cycle on 1x2 and Larger</b>													
Variable speed header end fan (1 or 2 Circuit) ambient controlled <sup>†</sup>	Contact Factory												
Variable speed header end fan (1 or 2 Circuit) Electronic control - pressure <sup>†</sup>	Contact Factory												
<b>Variable Frequency Drive (VFD)</b>													
VFD Package - Shipped Loose <sup>†</sup>	Contact Factory												
VFD Package - Factory Mounted <sup>†</sup>	Contact Factory												
<b>Control Boards - Items with this mark also ‡ require the contactor option</b>													
CPC relay board + xfmr (1x1 thru 2x4 config) ‡	\$3,259	3,259	3,259	3,259	3,259	3,259	3,259	3,259	3,259	3,259	—	—	—
CPC relay boards (2)+ xfmr (2x5 thru 2x7 config) ‡	—	—	—	—	—	—	—	—	—	—	\$6,112	6,112	6,112
CPC relay board condenser split 50/50 (1 board + relay)	\$3,391	3,391	3,391	3,391	3,391	3,391	3,391	3,391	3,391	3,391	3,391	3,391	3,391
CPC analog speed control board and transformer	\$3,412	3,412	3,412	3,412	3,412	3,412	3,412	3,412	3,412	3,412	3,412	3,412	3,412
DANFOSS relay board + xfmr (1x1 thru 2x4 config) ‡	\$3,272	3,272	3,272	3,272	3,272	3,272	3,272	3,272	3,272	3,272	—	—	—
DANFOSS relay boards (2) + xfmr (2x5 thru 2x7 config) ‡	—	—	—	—	—	—	—	—	—	—	6,707	6,707	6,707
DANFOSS relay board condenser split 50/50 (relay) ‡	\$4,805	4,805	4,805	4,805	4,805	4,805	4,805	4,805	4,805	4,805	4,805	4,805	4,805
DANFOSS analog speed control board and transformer	\$3,778	3,778	3,778	3,778	3,778	3,778	3,778	3,778	3,778	3,778	3,778	3,778	3,778
VSEC Stand alone motor control (C450)	Contact Factory												
Consult Application Engineering For Other Relay Board Options													
<b>Control Options</b>													
Control Circuit Breaker (2P - 15A)	\$327	327	327	327	327	327	327	327	327	327	327	327	327
Control circuit transformer <sup>†</sup>	\$617	617	617	617	617	617	617	617	617	617	617	617	617
<b>Fan Control Options (Contactors)</b>													
Individual Motor Contactors <sup>†</sup>	\$259	518	777	1,036	1,295	1,554	1,813	1,036	1,554	2,072	2,590	3,108	3,625
Paired Motor Contactors <sup>†</sup>	—	—	—	—	—	—	—	\$518	777	1,036	1,295	1,554	1,813
NEMA rated Contactors - Individual <sup>†</sup>	\$1,064	2,128	3,192	4,256	5,320	6,384	7,447	4,256	6,384	8,511	10,639	12,767	14,895
NEMA rated Contactors - PAIRED <sup>†</sup>	—	—	—	—	—	—	—	\$2,128	3,192	4,256	6,384	8,511	10,639
Individual motor fuses <sup>†</sup>	\$262	524	786	1,048	1,310	1,572	1,835	1,048	1,572	2,097	2,621	3,145	3,669
Paired motor fuses <sup>†</sup>	—	—	—	—	—	—	—	\$524	786	1,048	1,310	1,572	1,835
Individual circuit breakers <sup>††</sup>	\$726	1,041	1,549	2,075	2,583	3,110	3,591	2,075	3,110	4,127	5,166	6,203	6,937
Paired circuit breakers <sup>††</sup>	—	—	—	—	—	—	—	\$1,041	1,549	2,075	2,583	3,110	3,591
Individual motor terminal boards <sup>†</sup>	\$184	368	552	736	920	1,104	1,289	736	1,104	1,473	1,841	2,209	2,577
Paired motor terminal blocks <sup>†</sup>	—	—	—	—	—	—	—	\$368	552	736	920	1,104	1,289
Fan toggle switches - per fan (to control contactors) <sup>†</sup>	\$109	218	328	437	546	655	764	437	655	874	1,092	1,310	1,529
Fan toggle switches - PAIRED (to control contactors) <sup>†</sup>	—	—	—	—	—	—	—	\$218	328	437	655	874	1,092
Fan toggle switches - per fan (to control Motors) <sup>†</sup>	\$495	990	1,485	1,980	2,475	2,970	3,465	1,980	2,970	3,960	4,950	5,945	6,931
Fan toggle switches - PAIRED (to control Motors) <sup>†</sup>	—	—	—	—	—	—	—	\$990	1,485	1,980	2,475	2,970	3,465
<b>Build Options**</b>													
Horizontal Air Discharge	\$732	1,072	1,578	1,936	2,278	2,620	2,940	2,144	3,123	3,873	4,554	5,237	5,883
Aluminum Housing	\$290	580	870	1,161	1,451	1,741	2,031	1,161	1,741	2,425	2,902	3,482	4,062
Stainless Steel Housing	Contact Application Engineering												
Leg length - 21" or 30" - Standard Vertical air discharge	\$153	306	457	457	457	563	716	306	457	457	457	563	716
Leg length - 46" (Vertical air discharge only)	\$183	362	541	541	541	666	843	362	541	541	541	666	843
Box Style Leg at every location- 25" (Vertical air discharge only)	\$531	797	1,063	1,327	1,593	1,857	2,124	797	1,063	1,327	1,593	1,857	2,124
Sealtite wiring to motor rail	\$228	283	428	577	712	859	1,003	577	859	1,144	1,433	1,717	1,993
Sealtite wiring to electrical box	\$756	1,512	2,268	3,024	3,780	4,536	5,293	3,024	4,536	6,049	7,561	9,073	10,585
Condenser Base with 18" legs (Vertical air discharge only)	\$1,853	2,675	3,499	5,010	6,061	6,949	8,070	2,675	3,499	5,010	6,061	7,227	8,395
Condenser Base with 30 or 46" legs (Vertical air discharge only)	\$1,984	2,938	3,890	4,961	6,716	7,705	8,953	2,938	3,890	5,535	6,716	8,013	9,312
Condenser / Receiver Assembly (Vertical air discharge only)	Contact Application Engineering												
Header End control panel mounting (Specify location change)	No Additional Charge for this Feature												
<b>Flooded Head Pressure Controls (Shipped loose only)</b>													
List Price per compressor system <sup>†</sup>	Contact Application Engineering												
Number of Controls per compressor system <sup>†</sup>	Contact Application Engineering												
Manifold included <sup>†</sup>	Contact Application Engineering												

\* Multiple valves or manifolds are required for multi-circuit condensers.

\*\* Contact Application Engineering to obtain price quotes for special fin materials or coatings.

† This option is not available for condensers with VSEC motors.

†† Units with VSEC motors include individual circuit breaker. Paired circuit breakers are not available.



## PRINCIPAL TERMS AND CONDITIONS OF SALE

Supersedes all previous versions.

**Prices effective 1/1/20**

1. **Applicable Law and Terms of Sale:** All orders shall be subject to the following terms and conditions notwithstanding any additional or contrary printed terms and conditions of Buyer. Such additional or contrary terms shall not bind Seller unless accepted in writing even though such terms do not materially alter the terms hereof. No oral statements, warranties, stipulations, representations or terms shall have any binding effect or be any part of the contract whatsoever.
2. **Orders:** All orders must be in writing and will be binding when our order acknowledgment is mailed. Orders are accepted subject to strikes, fires, accidents, and other causes beyond our reasonable control. Acceptance of your order is conditioned upon an agreement to hold us harmless by reason of delivery delays.
3. **Prices:** Prices are subject to change without notice, and all quotations, unless otherwise specified, are binding only for immediate acceptance. Prices are based on material made to Seller's standard tolerances, unless otherwise specified.
4. **Freight:** All products are shipped FOB Point of Shipment with full freight allowed on single orders with a net price value of \$10,000.00 or more, except surface coils and parts, within the continental USA (excluding Alaska and Hawaii). Shipments to destinations outside the continental USA, that meet freight allowance requirements, will incur charges for the additional transport beyond the USA border. Seller reserves the choice of transportation mode, carrier, and shipping point. If special routing (dedicated/contract haul, flatbed delivery, appointment to meet a crane, etc.) is required/requested for a purchase order of \$10,000.00 or greater, Buyer will be assessed a special delivery charge per truck. Charges of \$80 per hour resulting from excessive unloading time, beyond the allotted "free time" (two hours per stop on partial loads and/or full truck loads), as defined by the carrier, is subject to being passed on to the customer. The responsibility of the Seller shall cease upon delivery of product in good condition to a common carrier (TL, LTL, FLATBED, ETC). Since all goods are shipped at Buyer's risk, they should be examined carefully before signing delivery receipt. If common carrier tenders delivery of goods in damaged condition or if packages delivered do not correspond with the number called for on the freight bill, Buyer should insist on common carrier's agent (DRIVER) making notation of the condition of shortages or damage on delivery receipt. The Buyer should never refuse freight from the common carrier. Filing freight claims are under the responsibility of the Buyer, and this will enable them to secure prompt payment of claim for damaged or lost material. Sometimes damage or loss is not readily apparent, so it is suggested that Buyer thoroughly inspect each shipment as soon as it is received for concealed loss or damage. Refer to HTPG's 2019 Freight Policy for further information.
5. **Taxes:** Any sales, use, excise, or similar tax payable by Seller which is or may be imposed by any taxing authority upon manufacture, sale or delivery of goods covered by any order or any increase in rate of any such tax now in force, shall be added to the sales price; if not collected at the time of payment of sales price, Buyer will hold Seller harmless.
6. **Limited Warranty:** Seller warrants against defect in materials and workmanship in products which it manufactures for (1) year from date of installation or up to (18) eighteen months from the date of shipment, whichever event occurs first, when properly installed and operated under normal use. This guarantee does not include any labor or other charges made outside of the Seller's factory for replacement or repair of defective parts unless specifically stated in the body of the Seller's invoice. On parts not manufactured by Seller, such as motors, controls, valves and compressors we extend to the Buyer the same warranties made to us by the manufacturer. Seller's only liability under this warranty or otherwise shall be the repair or replacement (at Seller's option) of non-conforming goods or parts. Seller assumes no liability for incidental or consequential damages such as injury to person or property, or lost profits.
7. **THIS GUARANTEE SUPERSEDES AND IS IN LIEU OF ANY AND ALL OTHER WARRANTIES BY LAW OR CUSTOM, EITHER EXPRESSED OR IMPLIED INCLUDING, BUT NOT LIMITED BY THIS ENUMERATION, ANY GUARANTEE AS TO QUALITY OR FITNESS FOR ANY PARTICULAR PURPOSE, EXCEPT AS SET FORTH ABOVE. NO PERSON, AGENT, OR DEALER IS AUTHORIZED TO GIVE ANY WARRANTIES ON BEHALF OF SELLER NOR TO ASSUME FOR SELLER ANY OTHER LIABILITY IN CONNECTION WITH ANY OF THE SELLER'S PRODUCTS.**
8. **Delivery:** Seller shall not be liable for any delays in or failure of delivery due to acts of God or public authority, labor disputes, accidents, fires, floods, extreme weather conditions, failure of and delays by carriers, shortages of material, delays of a supplier, and any other cause beyond Seller's control. In no event shall Seller be liable for consequential or special damages arising out of a delay in or failure of delivery. Failure to meet estimated ship dates will not be considered sufficient cause of cancellation of orders.
9. **Cancellations and Returned Goods:** Permission to return any part or product must be obtained from Seller and may be subject to a restocking charge. Credits for new material accepted for return will be at the original sales price or current market price, whichever is lower, less handling and restocking charges. Buyer must prepay all transportation charges. Any costs for putting material in condition for resale will be charged to the Buyer. Shipment of material returned without factory authorization or not properly tagged with a Return Material Authorization Number or not freight prepaid cannot be received by Seller. Obsolete products or material made to special order are not returnable.
10. **Catalog Materials and Drawings:** Seller is not responsible for typographical errors or other errors of omission in Seller's catalogs or drawings.
11. **Late Charge Provision:** Buyer agrees to pay a late charge of 1-1/2% per month (18% per year) for any invoice or bill not paid within (30) thirty days of the date of the billing invoice.
12. **Choices of law, Disputes:** This agreement and the performance of the parties hereunder shall be construed in accordance with and governed by the laws of the State of Georgia and shall be deemed made in the state. Buyer irrevocably consents to the exclusive jurisdiction of the courts of Fulton County, on all matters arising out of or relating to this sale and Buyer further irrevocably consents to service of process by certified mail, return receipt requested, at Buyer's address set forth in the order acknowledgement.

The above terms and conditions apply to all orders placed with the Seller. Buyer acknowledges having read and understood these terms and conditions and agrees to abide by them upon placement of any order with the Seller. In the event it becomes necessary to refer the account to a collection agency or to institute legal action to obtain payment of the account, Buyer agrees to pay all reasonable attorney fees and court costs incurred by such action.

