



LIST PRICES

May 2021

INDEX

AIR COOLED CONDENSERS

MultiCon Air Cooled Condenser - RDS, RDD -----	20
MultiCon Air Cooled Condenser - RAC, TD, VAC, VEQ, ACS, AEL-----	21
MultiCon Computer Room Air Cooled Condenser - CAC -----	22

CONDENSING UNITS

Next-Gen MiniCon Air Cooled Condensing Units - RF*, RB*, RV*-----	22
MiniCon Air-Cooled Condensing Units - R*H, R*S, R*O, R*D-----	23
Next-Gen II Air Cooled Condensing Units - RF*, RB* -----	23
"D" Style Air-Cooled Condensing Units - DC, DE, DS, DL-----	24
Russette Air-Cooled Condensing Units - RC, RE, RS -----	24
Russcon Air-Cooled Condensing Units - H, L, M-----	24
"V" Style Air-Cooled Condensing Units - VC, VL, VS -----	24

FLUID COOLERS

MultiCon Air-Cooled Fluid Coolers - FVAC, FTD, FVAC -----	21-22
---	-------

MOTORS

Motor Cross-Reference Chart -----	31
-----------------------------------	----

WALK-IN / WAREHOUSE EVAPORATORS

Next-Gen All-Temp - RLA, RLE, RLH, RLG-----	3-4
EcoNet Enabled Unit Cooler Replacement Parts-----	4
All-Temp Vintage C - AA*C, AE*C-----	4
All-Temp ² B - AA*B, AE*B, AG*B, AH*B (Built after 10/1991)-----	5
All-Temp ² B - AA*B, AE*B, AG*B, AH*B (Built after 04/2004)-----	6
All-Temp ² - AA, AE, AG, AH-----	6
All-Temp - AL-----	7
All-TempB - AL*B-----	7

WALK-IN / WAREHOUSE EVAPORATORS cont.

Ceiling-Temp - CTA, CTE-----	8
Flow Temp - RWF models-----	8
Flow-Temp - FL, FL*(E), FL*(G), FL*(H)-----	9
Inter-Temp - ITA, ITE, ITG, ITH-----	10-11
Ultra-Temp - U*U, U*L, U*M, UAH-----	12-13
Surveillant Demand Defrost Controller replacement Parts-----	5

REACH - IN EVAPORATORS

ASL, ASLE, ASLA-----	15
FLEX AIR - FF-----	14
Hi-Temp - HI-----	14
MINI TWIN AIR - MTW-----	16
MULLION AIR - MDF, MUF-----	16
SLIM AIR - SL, SLA, SLE-----	16-17
T-TEMP - TT-----	18
TWIN Temp - TW-----	18
WALL-TEMP - WA-----	19
WEDGE-TEMP - WE-----	19

SYSTEMS

High Sierra (Low Temp)-----	25-26
High Sierra (Med. Temp)-----	27-29
APEX - XN, XT-----	30

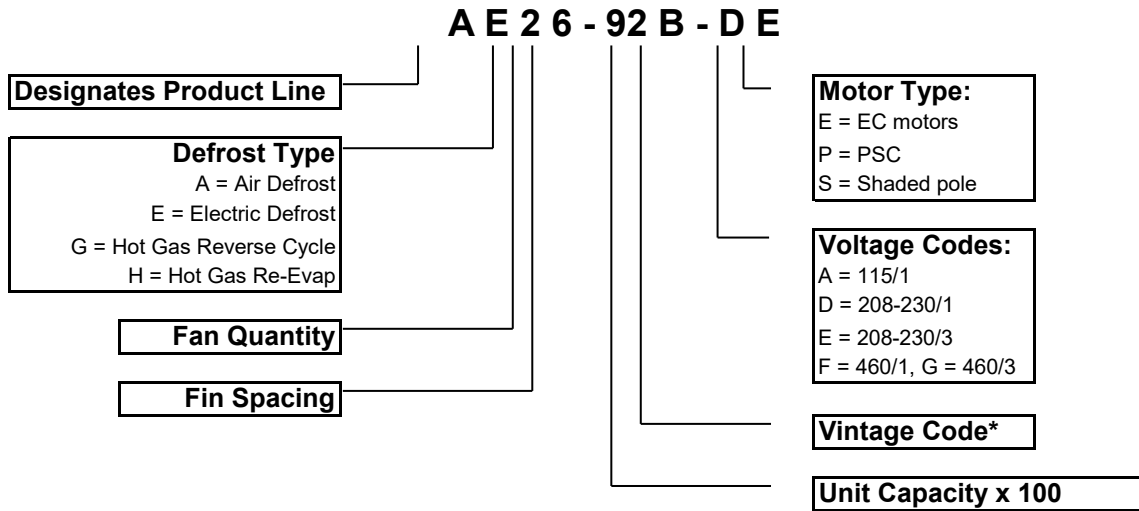
Due to ongoing product development, specification and prices are subject to change without notice.

ORDERING INFORMATION

1. All orders are subject to a \$30.00 net minimum billing.
2. All orders are subject to RUSSELL's Terms and Conditions of Sale.
3. All parts are shipped FOB point of shipping:
 - a.) Parts are typically shipped in cardboard cartons/unless size or weight will not permit.
 - b.) Any PARTS order that requires crating cannot be shipped by United Parcel Service.
 - c.) An example of parts that must be crated are metal components such as; venturi panels, drain pans, long defrost heaters.
 - d.) Defrost heaters are shipped straight whenever possible, all heaters are shipped with heater hooks.
 - e.) PSC motors are shipped less their capacitors, unless specifically ordered.
4. Warranty on all parts is 90 days from date of invoice.
5. When ordering replacement parts for a unit, if the exact part number is not available, it is very important that the complete model number, serial number, and voltage be provided. This information will help determine the exact vintage of the unit.

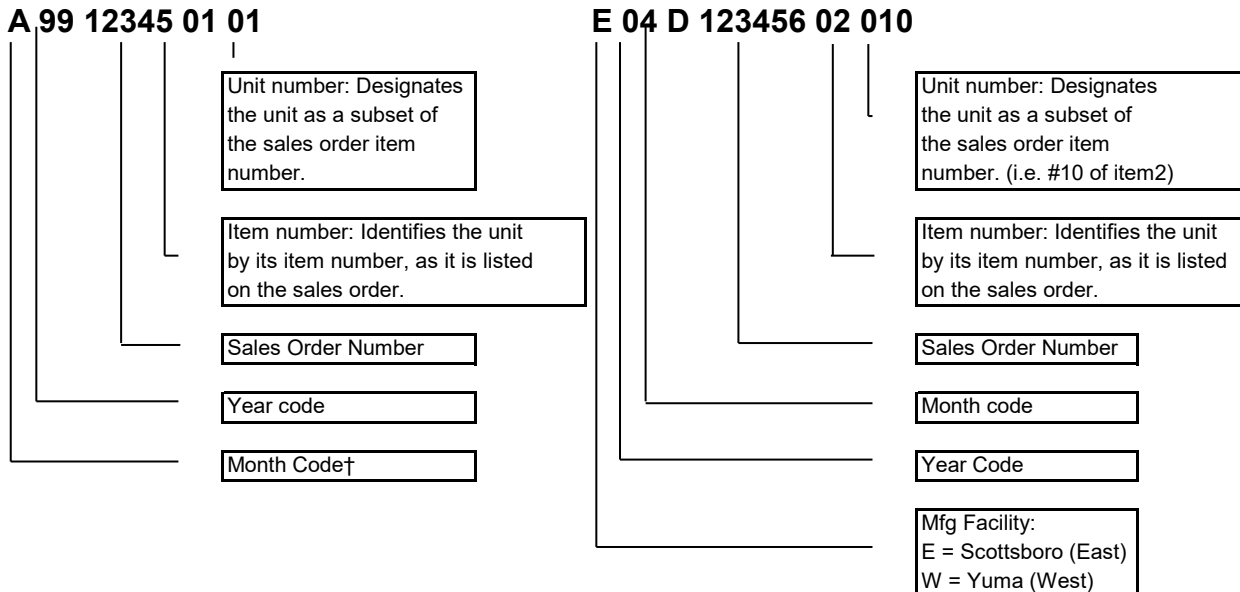
NOMENCLATURE

The following information can be derived by using the evaporator nomenclature; number of fans, fin spacing . The following example applies to Russell evaporators, with the exception of ASL and SL models which have their defrost designation in the suffix position.



* If an "X" is in the Vintage position, or at the beginning of the model number, the unit was built with a modification or special component that deviates from the standard description.

SERIAL NUMBERS



REPLACEMENT PARTS - LISTING BY PRODUCT MODEL NUMBER

NEXT-GEN ALL-TEMP - RLA, RLE, RLH, RLG

MODEL NUMBER	DESCRIPTION	PART NUMBER	LIST PRICE
ALL MODELS OR AS SPECIFIED IN DESCRIPTION	DRAIN PAN 1 FAN, AIR DEF	0852833601	\$453
	DRAIN PAN 2 FAN , AIR DEF	0852833701	\$507
	DRAIN PAN 3 FAN , AIR DEF	0852833801	\$561
	DRAIN PAN 4 FAN , AIR DEF	0852833901	\$780
	DRAIN PAN 5 FAN , AIR DEF	0852834001	\$857
	DRAIN PAN 6 FAN , AIR DEF	0852834101	\$922
	DRAIN PAN 1 FAN , ELECTRIC DEF	0852833602	\$453
	DRAIN PAN 2 FAN , ELECTRIC DEF	0852833702	\$507
	DRAIN PAN 3 FAN , ELECTRIC DEF	0852833802	\$561
	DRAIN PAN 4 FAN , ELECTRIC DEF	0852833902	\$780
	DRAIN PAN 5 FAN , ELECTRIC DEF	0852834002	\$857
	DRAIN PAN 6 FAN , ELECTRIC DEF	0852834102	\$922
	DRAIN FITTING AL	08248171	N/A
	DRAIN NUT	08321595	N/A
	DRAIN GASKET	08321596	N/A
	VENTURI 1 FAN	08528313	\$380
	VENTURI 2 FAN	08528314	\$408
	VENTURI 3 FAN	08528315	\$427
	VENTURI 4 FAN	08528316	\$453
	VENTURI 5 FAN	08528317	\$475
	VENTURI 6 FAN	08528318	\$494
	ENDCOVER DOOR	08528319	\$174
	DUAL SPEED / DUAL VOLTAGE MOTOR, EC MOTOR, 50 WATT, 1550 RPM, 115/230V, CCW ROTATION, (Air or Electric Defrost Models)	08216211	\$891
	DUAL SPEED MOTOR RELAY 120V	08218183	\$37
	DUAL SPEED MOTOR RELAY 240V	08218377	\$37
	1 speed MOTOR, ECM, 50 WATT, 1550 RPM, 115V, CCW (Hot Gas Defrost)	08216124	\$743
	1 speed MOTOR, ECM, 50 WATT, 1550 RPM, 230V/1, CCW (Hot Gas Defrost)	08216125	\$765
	2 speed MOTOR, ECM, 50 WATT, 1550 RPM, 115V, CCW (Hot Gas Defrost)	08216155	\$792
	2 speed MOTOR, ECM, 50 WATT, 1550 RPM, 230V/1, CCW (Hot Gas Defrost)	08216156	\$792
	MOTOR, PSC, 1/20 HP, 1550 RPM, 115V	08216074	\$334
	MOTOR, PSC, 1/20 HP, 1550 RPM, 230V/1	08216073	\$379
	MOTOR, PSC, 1/20 HP, 1550 RPM, 460V/1	08216135	\$495
	MOTOR MOUNT, LEG, TALL (EC MOTORS)	08321627	\$93
MOTOR MOUNT, LEG, SHORT (PSC MOTORS)	08321628	\$88	
FAN BLADE, 12" DIAM., 24° PITCH, CW (For use with EC Motors)	08221175	\$87	
FAN BLADE, 12" DIAM., 24° PITCH, CW (For use with PSC Motors)	08221153	\$91	
FAN GUARD, PLASTIC, HIGH THROW, BLACK, 12"	08321626	\$159	
DEFROST TERMINATION / FAN DELAY, SPST, O35/C55	08219328	\$156	

NEXT-GEN ALL-TEMP ELECTRIC DEFROST MODELS - RLE

RL6E035, RL6E042, RL6E049, RL4E027, RL4E032, RL4E038	COIL HEATER, 1F, 230V, 375 WATTS	08215200	\$83
	DRAIN PAN HEATER, 1F, 230V, 375 WATTS	08215206	\$83
	DRAIN PAN HEATER, 1F, 460V, 375 WATTS	08215212	\$78
RL6E066, RL6E077, RL6E090, RL6E105, RL4E051, RL4E064, RL4E080	COIL HEATER, 2F, 230V, 750 WATTS	08215201	\$98
	DRAIN PAN HEATER, 2F, 230V, 750 WATTS	08215207	\$95
	DRAIN PAN HEATER, 2F, 460V, 750 WATTS	08215213	\$111
RL6E121, RL4E094, RL6E142, RL4E110	COIL HEATER, 3F, 230V, 1100 WATTS	08215202	\$127
	DRAIN PAN HEATER, 3F, 230V, 1100 WATTS	08215208	\$132
	DRAIN PAN HEATER, 3F, 460V, 1100 WATTS	08215214	\$146
RL6E162, RL4E125, RL6E182, RL4E141	COIL HEATER, 4F, 230V 1475 WATTS	08215203	\$133
	DRAIN PAN HEATER, 4F, 230V, 1475 WATTS	08215209	\$134
	DRAIN PAN HEATER, 4F, 460V, 1475 WATTS	08215215	\$185
RL6E200, RL4E155	COIL HEATER, 5F, 230V 1850 WATTS	08215204	\$146
	DRAIN PAN HEATER, 5F, 230V, 1850 WATTS	08215210	\$138
	DRAIN PAN HEATER, 5F, 460V, 1850 WATTS	08215216	\$213
RL6E244, RL4E195, RL6E281, RL4E230	COIL HEATER, 6F, 230V 2225 WATTS	08215205	\$161
	DRAIN PAN HEATER, 6F, 230V, 2225 WATTS	08215211	\$149
	DRAIN PAN HEATER, 6F, 460V, 2225 WATTS	08215217	\$242

Note: The Heater voltage will line up with the voltage code in the model number. Each unit will get 3 heaters (2 on the face of the coil & 1 in the drain pan). 460V units include (2) 230V face heaters wired in series. The drain pan contains a single 460V heater.

NEXT-GEN ALL-TEMP HOT GAS DEFROST MODELS - RLG, RLH

MODEL NUMBER	DESCRIPTION	PART NUMBER	LIST PRICE
RL6G035, RL6G042, RLG049, RL4G027, RL4G032, RL4G038, RL6H035, RL6H042, RLH049, RL4H027, RL4H032, RL4H038	DRAIN PAN HEATER, 1F, 115V, 375 WATTS	08530726	\$87
	DRAIN PAN HEATER, 1F, 230V, 375 WATTS	08215206	\$83
	DRAIN PAN HEATER, 1F, 460V, 375 WATTS	08215212	\$78
RL6G066, RL6G077, RL6G090, RL6G105, RL4G051, RL4G064, RL4G080, RL6H066, RL6H077, RL6H090, RL6H105, RL4H051, RL4H064, RL4H080	DRAIN PAN HEATER, 2F, 115V, 750 WATTS	08530727	\$123
	DRAIN PAN HEATER, 2F, 230V, 750 WATTS	08215207	\$95
	DRAIN PAN HEATER, 2F, 460V, 750 WATTS	08215213	\$111
RL6G121, RL4G094, RL6G142, RL4G110, RL6H121, RL4H094, RL6H142, RL4H110	DRAIN PAN HEATER, 3F, 115V, 1100 WATTS	08530728	\$170
	DRAIN PAN HEATER, 3F, 230V, 1100 WATTS	08215208	\$132
	DRAIN PAN HEATER, 3F, 460V, 1100 WATTS	08215214	\$146
RL6G162, RL4G125, RL6G182, RL4G141, RL6H162, RL4H125, RL6H182, RL4H141	DRAIN PAN HEATER, 4F, 115V, 1475 WATTS	08530729	\$197
	DRAIN PAN HEATER, 4F, 230V, 1475 WATTS	08215209	\$134
	DRAIN PAN HEATER, 4F, 460V, 1475 WATTS	08215215	\$185
RL6G200, RL4G155, RL6H200, RL4H155	DRAIN PAN HEATER, 5F, 115V, 1850 WATTS	08530730	\$230
	DRAIN PAN HEATER, 5F, 230V, 1850 WATTS	08215210	\$138
	DRAIN PAN HEATER, 5F, 460V, 1850 WATTS	08215216	\$213
RL6G244, RL4G195, RL6G281, RL4G230, RL6H244, RL4H195, RL6H281, RL4H230	DRAIN PAN HEATER, 6F, 115V, 2225 WATTS	08530731	\$268
	DRAIN PAN HEATER, 6F, 230V, 2225 WATTS	08215211	\$149
	DRAIN PAN HEATER, 6F, 460V, 2225 WATTS	08215217	\$242

Note: The Heater voltage will line up with the voltage code in the model number. Each unit will get 3 heaters (2 on the face of the coil & 1 in the drain pan). 460V units include (2) 230V face heaters wired in series. The drain pan contains a single 460V heater.

ECONET ENABLED UNIT COOLER REPLACEMENT PARTS

MODEL NUMBER	DESCRIPTION	PART NUMBER	LIST PRICE
ECONET ENABLED UNIT COOLERS	SPACE/DRAIN TEMP SENSOR	08219623	\$76
	SUCTION TEMP SENSOR	08219637	\$172
	ECONET CONTROL BOARD	08219624	\$726
	96" CONTROLLER WIRE HARNESS	0821963502	\$328
	EVAP. TEMP SENSOR	08219636	\$50
	SUCTION PRESSURE SENSOR	08219621	\$127
	63" CONTROLLER WIRE HARNESS	0821963501	\$217
	126" CONTROLLER WIRE HARNESS	0821963503	\$246
	CONTROLLER POWER HARNESS	08219638	\$14

ALL-TEMP VINTAGE C - AA, AE

ALL MODELS	DRAIN PAN 1 FAN	08527139	\$450
	DRAIN PAN 2 FAN S.	08527379	\$507
	DRAIN PAN 2 FAN L.	08527140	\$507
	DRAIN PAN 3 FAN	08527141	\$561
	DRAIN PAN 4 FAN	08527142	\$780
	DRAIN PAN 5 FAN	08527143	\$856
	DRAIN PAN 6 FAN	08527144	\$922
	VENTURI 1 FAN	08527369	\$380
	VENTURI 2 FAN S.	08527381	\$408
	VENTURI 2 FAN L.	08527370	\$408
	VENTURI 3 FAN	08527371	\$426
	VENTURI 4 FAN	08527372	\$450
	VENTURI 5 FAN	08527373	\$475
	VENTURI 6 FAN	08527374	\$492
	ENDCOVER DOOR, LONG	08527353	\$173
	ENDCOVER DOOR, SHORT	08527354	\$173
	MOTOR MOUNT, LEG, TALL	08527378	\$57
	MOTOR MOUNT, LEG, SHORT	08527375	\$86
	DRAIN FITTING AL	08248171	N/A
	DRAIN NUT	08321595	N/A
	DRAIN GASKET	08321596	N/A
	FAN BLADE, 12" DIAM., 24° PITCH, CW (For use with EC Motors) (USE 08221153)	107943000	NLA
	FAN BLADE, 12" DIAM., 24° PITCH, CW (For use with EC Motors)	08221153	\$91
	FAN GUARD, PLASTIC, HIGH THROW, BLACK, 12"	205925001	\$159
	1 speed MOTOR, ECM, 50 WATT, 1550 RPM, 115 V, CCW	08216124	\$743
	1 speed MOTOR, ECM, 50 WATT, 1550 RPM, 230 V, CCW	08216125	\$765
	2 speed MOTOR, ECM, 50 WATT, 1550 RPM, 115 V, CCW	08216155	\$792
2 speed MOTOR, ECM, 50 WATT, 1550 RPM, 230 V, CCW	08216156	\$792	
Defrost Termination / Fan Delay ,SPST,O35/C55	08219328	\$156	

ALL-TEMP²B - MODELS AA-B, AE-B, AG-B, AH-B (BUILT AFTER OCTOBER 1,1991)

MODEL NUMBER	DESCRIPTION	PART NUMBER	LIST PRICE
ALL "AE" MODELS	DEFROST CONTROL, DEFROST TERMINATION (USE 08219273)	103079010	NLA
ALL "AE" MODELS	DEFROST CONTROL, DEFROST TERMINATION, (TIMER RESET) 2 WIRE	08219273	\$156
ALL "AE" MODELS	DEFROST CONTROL, FAN DELAY, 2 WIRE	103079009	\$156
1 - 6 FAN AE MODELS	HEATER SAFETY SWITCH, 2 WIRE	103079003	\$144
AE14-37B, AE16-36B, AE16-41B, AE16-46B	DEFROST HEATER, CORE, 500 WATTS, 26-1/4" LENGTH, 208-230/460 V.	206240006	\$440
	DEFROST HEATER, DRAIN PAN, 500 WATTS, 21" LENGTH, 208-230/460 V.	200172042	\$339
AE24-72B, AE24-85B, AE26-92B	DEFROST HEATER, CORE, 1000 WATTS, 44-1/4" LENGTH, 208-230/460 V.	206240008	\$377
	DEFROST HEATER, DRAIN PAN, 1000 WATTS, 39" LENGTH, 208-230/460 V.	200172044	\$351
AE26-60B, AE26-75B	DEFROST HEATER, CORE, 800 WATTS, 40-1/4" LENGTH, 208-230/460 V.	206240007	\$351
	DEFROST HEATER, DRAIN PAN, 800 WATTS, 35" LENGTH, 208-230/460 V.	200172043	\$339
AE34-105B, AE36-120B, AE36-140B	DEFROST HEATER, CORE, 1500 WATTS, 62-1/4" LENGTH, 208-230/460 V.	206240009	\$439
	DEFROST HEATER, DRAIN PAN, 1500 WATTS, 57" LENGTH, 208-230/460 V.	200172045	\$418
AE44-140B, AE46-164B, AE46-185B	DEFROST HEATER, CORE, 2000 WATTS, 80-1/4" LENGTH, 208-230/460 V.	206240010	\$558
	DEFROST HEATER, DRAIN PAN, 2000 WATTS, 75" LENGTH, 208-230/460 V.	200172046	\$532
AE54-180B, AE56-210B	DEFROST HEATER, CORE, 2500 WATTS, 97-3/4" LENGTH, 208-230/460 V.	206240011	\$649
	DEFROST HEATER, DRAIN PAN, 2500 WATTS, 93" LENGTH, 208-230/460 V.	200172047	\$600
AE64-215B, AE66-245B, AE66-280B	DEFROST HEATER, CORE, 3000 WATTS, 115-3/4" LENGTH, 208-230/460 V.	206240012	\$687
	DEFROST HEATER, DRAIN PAN, 3000 WATTS, 111" LENGTH, 208-230/460 V.	200172048	\$673
1 FAN AA, & AE MODELS	DRAIN PAN, 27" LENGTH	08533740	\$453
AA28-76B, -97B, -122B, AA26-70B, -87B, AE26-60B, 26-75B	DRAIN PAN, 41" LENGTH	08533741	\$507
AA28-106B, -134B, AA26-115B AE26-92B, AE24-72B, -85B	DRAIN PAN, 45" LENGTH	08533742	\$507
3 FAN AA & AE MODELS	DRAIN PAN, 63" LENGTH	08533743	\$561
4 FAN AA & AE MODELS*	DRAIN PAN, 81" LENGTH	08533744	\$780
5 FAN AA & AE MODELS*	DRAIN PAN, 99" LENGTH	08533745	\$856
6 FAN AA & AE MODELS*	DRAIN PAN, 117" LENGTH	08533746	\$922
ALL-TEMP ² B MODELS (SP & PSC)	FAN BLADE, 12" DIAM., 24° PITCH, CW (For use with SP & PSC motors) (Use 08221153)	107943000	NLA
ALL-TEMP ² B MODELS (SP & PSC)	FAN BLADE, 12" DIAM., 24° PITCH, CW (For use with SP & PSC motors)	08221153	\$91
1 - 3 FAN AE MODELS	FAN GUARD, PLASTIC, LOW THROW - NO LONGER AVAILABLE	NLA	-
ALL MODELS (OPTIONAL)	FAN GUARD, PLASTIC, HIGH THROW, BLACK, 12"	205925001	\$159
ALL MODELS (OPTIONAL)	FAN GUARD, WIRE, EPOXY COATED, BLUE, 12"	NLA	-
ALL MODELS	FAN GUARD, PLASTIC, BLACK, 12"	119647000	\$113
ALL MODELS	FAN GUARD, WIRE, EPOXY COATED, BLACK, 12"	201006011	\$113
ALL-TEMP MODELS (SP & PSC)	MOTOR MOUNT (For use with Shaded Pole & PSC motors)	21062000	\$156
ALL-TEMP ² B MODELS	MOTOR, SHADED POLE, 1/20 HP, 1550 RPM, 115 V. (USE 08216072)	102540003	NLA
	MOTOR, SHADED POLE, 1/20 HP, 1550 RPM, 115 V.	08216072	\$243
	MOTOR, SHADED POLE, 1/20 HP, 1550 RPM, 208-230 V. (USE 08216071)	102540004	\$243
	MOTOR, SHADED POLE, 1/20 HP, 1550 RPM, 208-230 V.	08216071	\$243
	MOTOR, SHADED POLE, 1/20 HP, 1550 RPM, 460 V. (Use 08216034)	102540005	NLA
	MOTOR, SHADED POLE, 1/20 HP, 1550 RPM, 460 V.	08216034	\$357
ALL-TEMP ² B MODELS	MOTOR, PSC, 1/20 HP, 1550 RPM, 115 V. (USE 08216074)	108178001	NLA
	MOTOR, PSC, 1/20 HP, 1550 RPM, 115 V.	08216074	\$334
	MOTOR, PSC, 1/20 HP, 1550 RPM, 230 V. (USE 08216073)	108178002	NLA
	MOTOR, PSC, 1/20 HP, 1550 RPM, 230 V.	08216073	\$379
	CAPACITOR, 3 MFD, FOR 1/20 115 V. PSC MOTOR	202163010	\$53
	CAPACITOR, 2 MFD, FOR 1/20 230 V. PSC MOTOR	202163009	\$59
ALL-TEMP ² B MODELS (EC Motor)	FAN BLADE, 12" DIAM., 24° PITCH, CW (For use with EC Motors)	08221175	\$87
ALL-TEMP ² B MODELS (EC Motor)	MOTOR MOUNT LEG (For use with EC Motors) (3 required for complete mount)	08522938	\$49
EC MOTORS FOR	MOTOR, ECM, 50 WATT, 1550 RPM, 115 V, CCW	08216124	\$743
ALL-TEMP ² B MODELS	MOTOR, ECM, 50 WATT, 1550 RPM, 230 V, CCW	08216125	\$765
ECM RETRO-FIT KIT FOR	115 V MOTOR, KIT INCLUDES MOTOR, HARDWARE, MOUNT, & BLADE	08523048	NLA
ALL-TEMP ² B MODELS	230 V MOTOR, KIT INCLUDES MOTOR, HARDWARE, MOUNT, & BLADE	08523049	NLA

* ALL 4 - 6 FAN MODEL DRAIN PANS MUST VIA COMMON CARRIER ONLY, NO UPS.

NLA - NO LONGER AVAILABLE

SURVEILLANT DEMAND DEFROST CONTROLLER REPLACEMENT PARTS

Demand Defrost Control Parts	Surveillant Evaporator Control	08219537	\$3,007
	Electronic Expansion Valve - less cable	08219539	\$582
	EEV power cable for AA/AE evaporator	08219516	\$298
	EEV Power Cable for CTA/CTE evaporators	08219517	\$295
	Return Air Temperature Sensor for AA/AE	08219522	\$172
	Return Air Temperature Sensor for CTA/CTE	08219523	\$172
	Air sensor mounting wire	08219978	\$12
	Coil Temperature sensor for AA/AE	08219524	\$172
	Coil Temperature sensor for CTA/CTE	08219525	\$172
	Coil Temperature sensor for CTA/CTE (AUX)	08219526	\$172
	Suction Temperature sensor for AA/AE	08219520	\$172
	Suction Temperature sensor for CTA/CTE	08219521	\$172
	Transducer only - No cable	08219981	\$459
	Transducer Cable for AA/AE evaporators	08219518	\$239
	Transducer Cable for CTA/CTE	08219519	\$239
	Strain relief wire	08219528	\$4
	Smartgate Router	08219541	\$3,567

ALL-TEMP²B - MODELS AA-B, AE-B, AG-B, AH-B (BUILT AFTER APRIL, 2004)
HINGED END PANEL UNITS (REPLACEMENT HOUSING)

MODEL NUMBER	DESCRIPTION	PART NUMBER	LIST PRICE
1 FAN AA, & AE MODELS	VENTURI, 20" LENGTH	08519104	\$380
AA28-76B, -97B, -122B, AA26-70B, -87B, AE26-60B, AE26-75B	VENTURI, 34" LENGTH	08519241	\$408
AA28-106B, -134B, AA26-115B AE26-92B, AE24-85B	VENTURI, 38" LENGTH	08519242	\$408
3 FAN AA & AE MODELS	VENTURI, 56" LENGTH	08519243	\$427
4 FAN AA & AE MODELS	VENTURI, 74" LENGTH	08519244	\$453
5 FAN AA & AE MODELS	VENTURI, 92" LENGTH	08519245	\$475
6 FAN AA & AE MODELS	VENTURI, 110" LENGTH	08519246	\$494
SHORT (ELECTRICAL END)	HINGED END PANEL	08518612	\$174
LONG (HEADER END)	HINGED END PANEL	08518613	\$174

FOLLOWING HOT GAS DRAIN PANS ARE FOR UNITS PRODUCED AFTER AUGUST 3, 1992.
FOR EARLIER VINTAGE USE THE ABOVE LISTED AA/AE DRAIN PANS.

MODEL NUMBER	DESCRIPTION	PART NUMBER	LIST PRICE
1 FAN AG, & AH MODELS	DRAIN PAN, 27" LENGTH - AFTER 8/3/92, ELSE USE EQUIV. AA/AE DRAIN PAN	20935800	\$453
AG26-60B, AH26-60B, AG26-75B, AH26-75B	DRAIN PAN, 41" LENGTH - AFTER 8/3/92, ELSE USE EQUIV. AA/AE DRAIN PAN	20935900	\$507
AG26-92B, AH26-92B	DRAIN PAN, 45" LENGTH - AFTER 8/3/92, ELSE USE EQUIV. AA/AE DRAIN PAN	20936000	\$507
3 FAN AG, & AH MODELS	DRAIN PAN, 63" LENGTH - AFTER 8/3/92, ELSE USE EQUIV. AA/AE DRAIN PAN	20936100	\$561
4 FAN AG, & AH MODELS*	DRAIN PAN, 81" LENGTH - AFTER 8/3/92, ELSE USE EQUIV. AA/AE DRAIN PAN	20936200	\$780
5 FAN AG, & AH MODELS*	DRAIN PAN, 99" LENGTH - AFTER 8/3/92, ELSE USE EQUIV. AA/AE DRAIN PAN	20936300	\$856
6 FAN AG, & AH MODELS*	DRAIN PAN, 117" LENGTH - AFTER 8/3/92, ELSE USE EQUIV. AA/AE DRAIN PAN	20936400	\$922

* ALL 4 - 6 FAN MODEL DRAIN PANS SHIP VIA COMMON CARRIER ONLY, NO UPS.

ALL-TEMP² - MODELS AA, AE, AG, AH (BUILT BEFORE OCTOBER 1, 1991)

1 - 3 FAN AE MODELS	DEFROST CONTROL, NON-ADJUSTABLE, 3 WIRE	103079005	\$156
4 - 6 FAN AE MODELS	DEFROST CONTROL, ADJUSTABLE, RANCO F-25	204464037	\$418
1 - 6 FAN AE MODELS	HEATER SAFETY SWITCH, 2 WIRE	103079003	\$144
AE16-36	DEFROST HEATER, CORE, 1000 WATTS, 26" LENGTH, 208-230 V.	NLA	-
AE16-36	DEFROST HEATER, CORE, 1000 WATTS, 26" LENGTH, 460 V.	NLA	-
AE16-46, AE16-41, AE14-37	DEFROST HEATER, CORE, 500 WATTS, 26-1/4" LENGTH, 208-230/460 V.	206240006	\$440
	DEFROST HEATER, DRAIN PAN, 500 WATTS, 21" LENGTH, 208-230/460 V.	200172042	\$339
AE26-60	DEFROST HEATER, CORE, 2000 WATTS, 40-1/4" LENGTH, 208-230/460 V.	NLA	-
	DEFROST HEATER, DRAIN PAN, 800 WATTS, 35" LENGTH, 208-230/460 V.	200172043	\$339
AE26-75	DEFROST HEATER, CORE, 800 WATTS, 40-1/4" LENGTH, 208-230/460 V.	206240007	\$351
	DEFROST HEATER, DRAIN PAN, 800 WATTS, 35" LENGTH, 208-230/460 V.	200172043	\$339
AE26-92, AE24-85, AE24-72	DEFROST HEATER, CORE, 1000 WATTS, 44-1/4" LENGTH, 208-230/460 V.	206240008	\$377
	DEFROST HEATER, DRAIN PAN, 1000 WATTS, 39" LENGTH, 208-230/460 V.	200172044	\$351
AE36-140, AE36-120, AE34-105	DEFROST HEATER, CORE, 1500 WATTS, 62-1/4" LENGTH, 208-230/460 V.	206240009	\$439
	DEFROST HEATER, DRAIN PAN, 1500 WATTS, 57" LENGTH, 208-230/460 V.	200172045	\$418
AE46-164, AE46-185, AE44-140	DEFROST HEATER, CORE, 2000 WATTS, 80-1/4" LENGTH, 208-230/460 V.	206240010	\$558
	DEFROST HEATER, DRAIN PAN, 2000 WATTS, 75" LENGTH, 208-230/460 V.	200172046	\$532
AE56-210, AE54-180	DEFROST HEATER, CORE, 2500 WATTS, 97-3/4" LENGTH, 208-230/460 V.	206240011	\$649
	DEFROST HEATER, DRAIN PAN, 2500 WATTS, 93" LENGTH, 208-230/460 V.	200172047	\$600
AE66-280, AE66-245, AE64-215	DEFROST HEATER, CORE, 3000 WATTS, 115-3/4" LENGTH, 208-230/460 V.	206240012	\$687
	DEFROST HEATER, DRAIN PAN, 3000 WATTS, 111" LENGTH, 208-230/460 V.	200172048	\$673
ALL ALL-TEMP2 MODELS	FAN BLADE, 12" DIAM., 24° PITCH, CW (USE 08221153)	107943000	NLA
ALL ALL-TEMP2 MODELS	FAN BLADE, 12" DIAM., 24° PITCH, CW	08221153	\$91
1 - 3 FAN AE MODELS	FAN GUARD, PLASTIC, LOW THROW - NO LONGER AVAILABLE, SUBSTITUTE WIRE, EPOXY COATED, 12" FAN GUARD	201006011	\$113
4 - 6 FAN AE MODELS	FAN GUARD, PLASTIC, HIGH THROW, BLACK, 12"	205925001	\$159
ALL MODELS	FAN GUARD, WIRE, EPOXY COATED, 12"	NLA	-
ALL MODELS	MOTOR MOUNT	21062000	\$156
ALL MODELS (OPTIONAL)	MOTOR, PSC, 1/20 HP, 1550 RPM, 115 V., (3 MFD CAPACITOR NOT INCLUDED) (USE 08216074)	108178001	NLA
	MOTOR, PSC, 1/20 HP, 1550 RPM, 115 V., (3 MFD CAPACITOR NOT INCLUDED)	08216074	\$334
	MOTOR, PSC, 1/20 HP, 1550 RPM, 230 V., (2 MFD CAPACITOR NOT INCLUDED) (USE 08216073)	108178002	NLA
	MOTOR, PSC, 1/20 HP, 1550 RPM, 230 V., (2 MFD CAPACITOR NOT INCLUDED)	08216073	\$379
	CAPACITOR, 3 MFD, FOR 1/20 115 V. PSC MOTOR	202163010	\$53
	CAPACITOR, 2 MFD, FOR 1/20 230 V. PSC MOTOR	202163009	\$59
ALL MODELS	MOTOR, SHADED POLE, 1/20 HP, 1550 RPM, 115 V. (USE 08216072)	102540003	NLA
	MOTOR, SHADED POLE, 1/20 HP, 1550 RPM, 115 V.	08216072	\$243
	MOTOR, SHADED POLE, 1/20 HP, 1550 RPM, 208-230 V. (USE 08216071)	102540004	\$243
	MOTOR, SHADED POLE, 1/20 HP, 1550 RPM, 208-230 V.	08216071	\$243
	MOTOR, SHADED POLE, 1/20 HP, 1550 RPM, 460 V. (use 08216034)	102540005	NLA
	MOTOR, SHADED POLE, 1/20 HP, 1550 RPM, 460 V.	08216034	\$357

* ALL 4 - 6 FAN MODEL DRAIN PANS MUST VIA COMMON CARRIER ONLY, NO UPS.

NLA - NO LONGER AVAILABLE

† NOT STOCKED - MANUFACTURED PART.

ALL- TEMP - MODELS AL (BUILT BEFORE JUNE 1990)

MODEL NUMBER	DESCRIPTION	PART NUMBER	LIST PRICE
AL14-34, AL15-41, AL16-46	DEFROST HEATERS, CORE, 780 WATTS, 20" LENGTH, 208-230 V. (2 REQ'D)	200172021	\$266
	DRAIN PAN (13-1/4" width)	NLA	-
AL24-40, AL25-50, AL26-46	DEFROST HEATER, CORE, 1550 WATTS, 38" LENGTH, 208-230 V.	200172024	\$351
	DEFROST HEATER, CORE, 1550 WATTS, 38" LENGTH, 460 V.	NLA	-
	DRAIN PAN (13-1/4" width)	NLA	-
AL24-53, AL24-68, AL25-64 AL25-82, AL26-72, AL26-56, AL26-92, XAL28-104E	DEFROST HEATERS, CORE, 1550 WATTS, 38" LENGTH, 208-230 V. (2 REQ'D)	200172024	\$351
	DEFROST HEATERS, CORE, 1550 WATTS, 38" LENGTH, 460 V. (2 REQ'D)	NLA	-
	DRAIN PAN (13-1/4" width)	NLA	-
AL34-80, AL34-102, AL34-111 AL35-96, AL35-123, AL36-110, AL36-139	DEFROST HEATERS, CORE, 2200 WATTS, 56" LENGTH, 208-230 V. (2 REQ'D)	200172027	\$418
	DEFROST HEATERS, CORE, 2200 WATTS, 56" LENGTH, 460 V. (2 REQ'D)	NLA	-
	DRAIN PAN (13-1/4" width)	NLA	-
AL44-136, AL45-164, AL46-185	DEFROST HEATERS, CORE, 1220 WATTS, 30" LENGTH, 208-230 V. (2 REQ'D)	200172023	\$394
	DEFROST HEATERS, CORE, 1760 WATTS, 42" LENGTH, 208-230 V. (2 REQ'D)	200172025	\$727
	DEFROST HEATERS, CORE, 1220 WATTS, 30" LENGTH, 460 V. (2 REQ'D)	NLA	-
	DEFROST HEATERS, CORE, 1760 WATTS, 42" LENGTH, 460 V. (2 REQ'D)	NLA	-
	DRAIN PAN* (13-1/4" width)	NLA	-
AL54-170, AL55-205, AL56-230	DEFROST HEATERS, CORE, 1760 WATTS, 42" LENGTH, 208-230 V. (2 REQ'D)	200172025	\$727
	DEFROST HEATERS, CORE, 1970 WATTS, 48" LENGTH, 208-230 V. (2 REQ'D)	200172026	\$377
	DEFROST HEATERS, CORE, 1760 WATTS, 42" LENGTH, 460 V. (2 REQ'D)	NLA	-
	DEFROST HEATERS, CORE, 1970 WATTS, 48" LENGTH, 460 V. (2 REQ'D)	NLA	-
	DRAIN PAN* (13-1/4" width)	NLA	-
AL64-204, AL65-246, AL66-276	DEFROST HEATERS, CORE, 1970 WATTS, 48" LENGTH, 208-230 V. (2 REQ'D)	200172026	\$377
	DEFROST HEATERS, CORE, 2480 WATTS, 60" LENGTH, 208-230 V. (2 REQ'D)	200172028	\$418
	DEFROST HEATERS, CORE, 1970 WATTS, 48" LENGTH, 460 V. (2 REQ'D)	NLA	-
	DEFROST HEATERS, CORE, 2480 WATTS, 60" LENGTH, 460 V. (2 REQ'D)	200172018	\$609
	DRAIN PAN* (13-1/4" width)	NLA	-
ALL MODELS	DEFROST CONTROL, NON-ADJUSTABLE, 3 WIRE	103079002	\$156
ALL MODELS	FAN BLADE, 10" DIAM., 31° PITCH, CW, HUBLESS	204395017	\$56
ALL MODELS	FAN GUARD, PLASTIC, HI-THROW 10" ROUND	NLA	-
ALL MODELS	FAN GUARD, WIRE, EPOXY COATED, BLACK, 10"	08397002	\$113
ALL MODELS	FAN GUARD, WIRE, EPOXY COATED, WHITE, 10"	08397053	\$113
ALL MODELS	MOTOR MOUNT	10243000	\$113
ALL MODELS	MOTOR, SHADED POLE, 16 WATT, 1550 RPM, 115 V. CCW	103104007	\$224
	MOTOR, SHADED POLE, 16 WATT, 1550 RPM, 230 V. CCW	103104008	\$224

* ALL 4 - 6 FAN MODEL DRAIN PANS SHIP VIA COMMON CARRIER ONLY, NO UPS.

NLA - NO LONGER AVAILABLE

ALL-TEMP - MODELS AL-B (BUILT AFTER JUNE 1990)

MODEL NUMBER	DESCRIPTION	PART NUMBER	LIST PRICE
AL14-34B, AL15-41B, AL16-46B	DEFROST HEATER, CORE, 500 WATTS, 24" LENGTH, 208-230/460 V.	206240006	\$440
	DEFROST HEATERS, DRAIN PAN, 500 WATTS, 20" LENGTH, 208-230/460 V.	200172042	\$339
	DRAIN PAN (9-1/4" WIDTH)	NLA	-
AL24-40B, AL24-53B, AL25-50B, AL25-64B, AL26-56B, AL26-72B	DEFROST HEATER, CORE, 2000 WATTS, 43" LENGTH, 208-230 V.	NLA	-
	DEFROST HEATER, CORE, 2000 WATTS, 43" LENGTH, 460 V.	NLA	-
	DRAIN PAN (9-1/4" WIDTH)	NLA	-
AL24-68B, AL25-82B, AL26-92B	DEFROST HEATER, CORE, 1000 WATTS, 44-1/4" LENGTH, 208-230/460 V.	206240008	\$377
	DEFROST HEATERS, DRAIN PAN, 1000 WATTS, 38" LENGTH, 208-230/460 V.	200172044	\$351
	DRAIN PAN (9-1/4" WIDTH)	NLA	-
AL34-80B, AL34-102B, AL34-111B, AL35-96B, AL35-123B, AL36-110B, AL36-139B	DEFROST HEATER, CORE, 1500 WATTS, 62" LENGTH, 208-230/460 V.	206240009	\$439
	DEFROST HEATERS, DRAIN PAN, 1500 WATTS, 56" LENGTH, 208-230/460 V.	200172045	\$418
	DRAIN PAN (9-1/4" WIDTH)	NLA	-
AL44-136B, AL45-164B, AL46-185B	DEFROST HEATER, CORE, 2000 WATTS, 80-1/4" LENGTH, 208-230/460 V.	206240010	\$558
	DEFROST HEATERS, DRAIN PAN, 2000 WATTS, 74" LENGTH, 208-230/460 V.	200172046	\$532
	DRAIN PAN* (9-1/4" WIDTH)	NLA	-
AL54-170B, AL55-205B, AL56-230B	DEFROST HEATER, CORE, 2500 WATTS, 96" LENGTH, 208-230/460 V.	206240011	\$649
	DEFROST HEATERS, DRAIN PAN, 2500 WATTS, 92" LENGTH, 208-230/460 V.	200172047	\$600
	DRAIN PAN* (9-1/4" WIDTH)	NLA	-
AL64-204B, AL65-246B, AL66-276B	DEFROST HEATER, CORE, 3000 WATTS, 115-3/4" LENGTH, 208-230/460 V.	206240012	\$687
	DEFROST HEATERS, DRAIN PAN, 3000 WATTS, 100" LENGTH, 208-230/460 V.	200172048	\$673
	DRAIN PAN* (9-1/4" WIDTH)	NLA	-
ALL MODELS	DEFROST CONTROL, NON-ADJUSTABLE, 3 WIRE	103079002	\$156
ALL MODELS	FAN BLADE, 10" DIAM., 31° PITCH, CW, HUBLESS	NLA	-
ALL MODELS	FAN GUARD, WIRE, EPOXY COATED, BLACK, 10"	08397002	\$113
ALL MODELS	FAN GUARD, WIRE, EPOXY COATED, WHITE, 10"	08397053	\$113
ALL MODELS	FAN GUARD, PLASTIC, HI-THROW 10" ROUND	NLA	-
ALL MODELS	MOTOR MOUNT	10243000	\$113
ALL MODELS	MOTOR, SHADED POLE, 16 WATT, 1550 RPM, 115 V. CCW	103104007	\$224
	MOTOR, SHADED POLE, 16 WATT, 1550 RPM, 230 V. CCW	103104008	\$224

* ALL 4 - 6 FAN MODEL DRAIN PANS SHIP VIA COMMON CARRIER ONLY, NO UPS.

NLA - NO LONGER AVAILABLE

CEILING TEMP - MODELS CTA, CTE

MODEL NUMBER	DESCRIPTION	PART NUMBER	LIST PRICE
ALL MODELS	DEFROST CONTROL, DEFROST TERMINATION, (TIMER RESET) 2 WIRE (USE 08219273)	103079010	NLA
ALL MODELS	DEFROST CONTROL, DEFROST TERMINATION, (TIMER RESET) 2 WIRE	08219273	\$156
ALL MODELS	DEFROST CONTROL, FAN DELAY, 2 WIRE	103079009	\$156
CTE34-48, CTE34-58, CTE34-65, CTE36-53, CTE36-62, CTE36-69	DEFROST HEATERS, CORE, 1037 WATTS, 55" LENGTH, 208-230/460 V. (2 REQ'D)	208579001	\$437
CTE44-72, CTE44-84, CTE44-95, CTE46-77, CTE46-90, CTE46-100	DEFROST HEATERS, 1490 WATTS, 79" LENGTH, 208-230/460 V. (2 REQ'D)	208579002	\$595
CTE54-115, CTE44-128, CTE44-152, CTE54-145, CTE64-173, CTE56-125, CTE46-140, CTE56-160, CTE66-218	DEFROST HEATERS, 1943 WATTS, 103 LENGTH, 208-230/460 V. (2 REQ'D)	208579003	\$655

SPECIFY DRAIN CONNECTION LOCATION WHEN ORDERING CTA/CTE DRAIN PANS, BOTTOM OR SIDE.*

ALL 3 FAN CTA/CTE MODELS	DRAIN PAN, 58-1/2 LENGTH, SPECIFY DRAIN CONNECTION LOCATION	20860901	\$625
ALL 4 FAN CTA/CTE MODELS EXCEPT AS FOLLOWS	DRAIN PAN, 82-1/2 LENGTH, SPECIFY DRAIN CONNECTION LOCATION	20861001	\$795
CTA46-190, CTA48-210, CTE44-128, CTE46-140	DRAIN PAN, 106-1/2 LENGTH, SPECIFY DRAIN CONNECTION LOCATION	20861101	\$916
ALL 5 FAN CTA/CTE MODELS	DRAIN PAN, 106-1/2 LENGTH, SPECIFY DRAIN CONNECTION LOCATION	20861201	\$916
ALL 6 FAN CTA/CTE MODELS	DRAIN PAN, 106-1/2 LENGTH, SPECIFY DRAIN CONNECTION LOCATION	20861301	\$950
ALL MODELS	FAN BLADE, 10" DIAM., 31° PITCH, CCW, HUBLESS	204395018	\$61
ALL MODELS	FAN GUARD, PLASTIC, 12" (BLACK)	119647000	\$113
ALL MODELS (OPTIONAL)	FAN GUARD, WIRE, EPOXY COATED, 12", (BLACK) [OPTIONAL]	201006011	\$113
ALL MODELS	HEATER SAFETY SWITCH, 2 WIRE	103079003	\$144
ALL MODELS (OPTIONAL)	MOTOR, SHADED POLE , 16 WATT, 1550 RPM, 115 V.	103104007	\$224
Shaded Pole Motors	MOTOR, SHADED POLE , 16 WATT, 1550 RPM, 230 V.	103104008	\$224
ALL MODELS (OPTIONAL)	MOTOR, PSC , 16 WATT, 1550 RPM, 115 V.	107933001	\$456
Permanent Split Capacitor Motors	CAPACITOR, 5 MFD, FOR 16 WATT 115 V. PSC MOTOR	202163004	\$54
	MOTOR, PSC , 16 WATT, 1550 RPM, 230 V. (USE 107933003)	107933002	NLA
	CAPACITOR, 1.2 MFD, FOR 16 WATT 230 V. PSC MOTOR (Not required for 107933003)	202163015	\$59
ALL MODELS	MOTOR, ECM, 16 WATT, 1550 RPM, 115V	107933006	792
EC MOTORS	MOTOR, ECM, 16 WATT, 1550 RPM, 230V	107933003	821
ALL MODELS	MOTOR, MOUNT	10243000	\$113

* ALL CEILING-TEMP DRAIN PANS SHIP VIA COMMON CARRIER ONLY, NO UPS.

FLOW TEMP — MODELS RWF

RWF050, 100, 130, 160, 190, 220, 270, 340	115/230 VOLT - FAN BLADE, 10 IN. DIA., 31° PITCH, CCW, HUBLESS	204395018	\$61
RWF - 075	115/230 VOLT - FAN BLADE, 10 IN. DIA., 20° PITCH, CCW, HUBLESS	204395016	\$61
RWF-050, 100, 130, 160, 190, 220, 270, 340	460V - FAN BLADE, 10 IN. DIA., 28° PITCH, CCW	08221007	\$61
RWF - 075	460V - FAN BLADE, 10 IN. DIA., 13° PITCH, CCW	08221005	\$61
All Models	FAN GUARD, 12 IN. BLACK PLASTIC	119647000	\$113
	MOTOR MOUNT (Except for 460V PSC motor, See Below)	10243000	\$113
All Models - EC MOTORS	MOTOR, EC, 16W, 1550 RPM, 115V	107933006	\$792
	MOTOR, EC, 16W, 1550 RPM, 230V	107933003	\$821
	MOTOR MOUNT	10243000	\$113
All Models - PSC MOTORS (Optional)	MOTOR, PSC, 16 WATT, 1550 RPM, 115 V.	107933001	\$456
	CAPACITOR, 5 MFD, FOR 16 WATT 115 V. PSC MOTOR	202163004	\$54
	MOTOR, PSC, 16W, 1550 RPM, 460V	08216135	\$495
	MOTOR MOUNT, 460V PSC	0825489400	\$113
All Models - SHADED POLE MOTORS (Optional)	MOTOR, SHADED POLE, 16 WATT, 1550 RPM, 115 V.	103104007	\$224
	MOTOR, SHADED POLE, 16 WATT, 1550 RPM, 230 V.	103104008	\$224
RWF - 050	DRAIN PAN/VENTURI PANEL	0852507601	\$526
RWF - 075, 100	DRAIN PAN/VENTURI PANEL, 2 FAN	0852507701	\$720
RWF - 130, 160	DRAIN PAN/VENTURI PANEL, 3 FAN	0852507801	\$798
RWF - 190, 220	DRAIN PAN/VENTURI PANEL, 4 FAN	0852507901	\$916
RWF - 270	DRAIN PAN/VENTURI PANEL, 5 FAN	0852508001	\$1,040
RWF - 340	DRAIN PAN/VENTURI PANEL, 6 FAN	0852508101	\$1,131
RWF - 050 (Optional)	DRAIN PAN/VENTURI PANEL, 1 FAN, WHITE PAINTED	0852507607	\$785
RWF - 075, 100 (Optional)	DRAIN PAN/VENTURI PANEL, 2 FAN, WHITE PAINTED	0852507707	\$991
RWF - 130, 160 (Optional)	DRAIN PAN/VENTURI PANEL, 3 FAN, WHITE PAINTED	0852507807	\$1,206
RWF - 190, 220 (Optional)	DRAIN PAN/VENTURI PANEL, 4 FAN, WHITE PAINTED	0852507907	\$1,215
RWF - 270 (Optional)	DRAIN PAN/VENTURI PANEL, 5 FAN, WHITE PAINTED	0852508000	\$1,351
RWF - 340 (Optional)	DRAIN PAN/VENTURI PANEL, 6 FAN, WHITE PAINTED	0852508107	\$1,445

RWF - 050	DEFROST HEATER 545W, 42 IN. LONG (2 PER UNIT)	0821500901	\$404
RWF - 075, 100	DEFROST HEATER 545W, 61 IN. LONG (2 PER UNIT)	0821500902	\$433
RWF - 130, 160, 190, 220	DEFROST HEATER 1305W, 79 IN. LONG (2 PER UNIT)	0821500903	\$499
RWF - 270	DEFROST HEATER 2180W, 90 IN. LONG (2 PER UNIT)	0821500904	\$565
RWF - 340	DEFROST HEATER 2725W, 114 IN. LONG (2 PER UNIT)	0821500905	\$638

All Electric and Hot Gas Defrost Models	DEFROST CONTROL, TERMINATION (STANDARD) (USE 08219273)	103079010	NLA
	DEFROST CONTROL, TERMINATION (STANDARD)	08219273	\$156
	DEFROST CONTROL, ADJUSTABLE (OPTIONAL)	204464037	\$418
	DEFROST CONTROL, HEATER SAFETY (STANDARD)	103079003	\$144

FLOW TEMP - MODELS FL, FL-E, FL-G, FL-H

MODEL NUMBER	DESCRIPTION	PART NUMBER	LIST PRICE
ALL MODELS	DEFROST CONTROL, DEFROST TERMINATION, (TIMER RESET) 2 WIRE (USE 08219273)	103079010	NLA
ALL MODELS	DEFROST CONTROL, FAN DELAY, 2 WIRE	10307909	\$156
ALL 2 FAN MODELS, FL36-100, FL36-135, FL46-180 MODELS	FAN BLADES, 10" DIAM., 20° PITCH, CCW, HUBLESS	204395016	\$61
ALL FL36-160, FL46-220, FL46-265 AND FL56-370	FAN BLADES, 10" DIAM., 31° PITCH, CCW, HUBLESS	204395018	\$61
ALL FL MODELS	FAN GUARD, PLASTIC, 12" (BLACK)	119647000	\$113
ALL FL MODELS	FAN GUARD, WIRE, EPOXY COATED, 12" (BLACK)	201006011	\$113
ALL FL MODELS	HEATER SAFETY SWITCH, 2 WIRE	103079003	\$144
ALL FL MODELS	MOTOR MOUNT	10243000	\$113
ALL 2 FAN MODELS AND ALL FL36-100 MODELS	MOTOR, SHADED POLE , 9 WATT, 1550 RPM, 115 V.	103104004	\$189
ALL FL36-100 MODELS	MOTOR, SHADED POLE , 9 WATT, 1550 RPM, 230 V.	103104005	\$189
FL36-135, FL36-160 MODELS	MOTOR, SHADED POLE , 16 WATT, 1550 RPM, 115 V.	103104007	\$224
ALL 4 AND 5 FAN MODELS	MOTOR, SHADED POLE , 16 WATT, 1550 RPM, 230 V.	103104008	\$224
ALL FL MODELS (OPTIONAL)	MOTOR, PSC , 16 WATT, 1550 RPM, 115 V.	107933001	\$456
Permanent Split Capacitor Motors	CAPACITOR, 5 MFD, FOR 16 WATT 115 V. PSC MOTOR	202163004	\$54
	MOTOR, PSC , 16 WATT, 1550 RPM, 230 V., (No Longer Available. use 107933003)	107933002	NLA
	CAPACITOR, 1.2 MFD, FOR 16 WATT 230 V. PSC MOTOR (Not required for 107933003)	202163015	\$59
ALL MODELS	MOTOR, ECM, 16 WATT, 1550 RPM, 115V	107933006	\$792
EC MOTOR	MOTOR, ECM, 16 WATT, 1550 RPM, 230V	107933003	\$821

FOLLOWING HEATERS ARE FOR UNITS PRODUCED BEFORE APRIL 1, 1988.

FL26-67E	DEFROST HEATERS, CORE, 1970 WATTS, 48" LENGTH, 208-230 V. (2 REQ'D)	200172026	\$377
	DEFROST HEATERS, CORE, 1970 WATTS, 48" LENGTH, 460 V. (2 REQ'D)	200172016	NLA
FL36-100E, FL36-135E, FL36-160E	DEFROST HEATERS, CORE, 1220 WATTS, 30" LENGTH, 208-230 V (2 REQ'D)	200172023	\$394
	DEFROST HEATERS, CORE, 1760 WATTS, 42" LENGTH, 208-230 V. (2 REQ'D)	200172025	\$727
	DEFROST HEATERS, CORE, 1220 WATTS, 30" LENGTH, 460 V. (2 REQ'D)	200172013	NLA
	DEFROST HEATERS, CORE, 1760 WATTS, 42" LENGTH, 460 V. (2 REQ'D)	200172015	NLA
FL46-180E, FL46-220E, FL46-265E	DEFROST HEATERS, CORE, 1550 WATTS, 38" LENGTH, 208-230 V (2 REQ'D)	200172024	\$351
	DEFROST HEATERS, CORE, 2480 WATTS, 60" LENGTH, 208-230 V. (2 REQ'D)	200172028	\$418
	DEFROST HEATERS, CORE, 1760 WATTS, 42" LENGTH, 460 V. (2 REQ'D)	200172015	NLA
	DEFROST HEATERS, CORE, 2200 WATTS, 56" LENGTH, 460 V. (2 REQ'D)	200172017	\$609

FOLLOWING HEATERS ARE FOR UNITS PRODUCED BETWEEN APRIL 1, 1988 AND APRIL 1, 1994

FL26-67E	DEFROST HEATERS, CORE, 1970 WATTS, 50" LENGTH, 208-230/460 V. (2 REQ'D)	205221020	NLA
FL36-100E	DEFROST HEATERS, CORE, 2980 WATTS, 74" LENGTH, 208-230/460 V. (2 REQ'D)	205221021	NLA
FL36-135E, FL36-160E	DEFROST HEATERS, CORE, 2980 WATTS, 75" LENGTH, 208-230/460 V. (2 REQ'D)	200172049	\$422
FL46-180E, FL46-220E †	DEFROST HEATERS, CORE, 1550 WATTS, 38" LENGTH, 208-230 V. (2 REQ'D)	200172024	\$351
FL46-265E †	DEFROST HEATERS, CORE, 2480 WATTS, 60" LENGTH, 208-230 V. (2 REQ'D)	200172028	\$418

FOLLOWING HEATERS ARE FOR UNITS PRODUCED AFTER APRIL 1, 1994

FL26-67E	DEFROST HEATERS, CORE, 1970 WATTS, 50" LENGTH, 208-230/460 V. (2 REQ'D)	205221020	NLA
FL36-100E	DEFROST HEATERS, CORE, 2980 WATTS, 74" LENGTH, 208-230/460 V. (2 REQ'D)	205221021	NLA
FL36-135E, FL36-160E	DEFROST HEATERS, CORE, 2980 WATTS, 75" LENGTH, 208-230/460 V. (2 REQ'D)	200172049	\$422
FL46-180E, FL46-220E,	DEFROST HEATERS, CORE, 1550 WATTS, 38" LENGTH, 208-230/460 V. (2 REQ'D)	200172024	\$351
FL46-265E	DEFROST HEATERS, CORE, 2480 WATTS, 60" LENGTH, 208-230/460 V. (2 REQ'D)	200172028	\$418
FL56-370E	DEFROST HEATERS, CORE, 2480 WATTS, 60" LENGTH, 208-230/460 V. (4 REQ'D)	200172028	\$418

FOLLOWING DRAIN PANS ARE FOR UNITS PRODUCED BEFORE APRIL 1, 1991.

2 FAN MODELS	DRAIN PANS, PAINTED (WHITE)	NLA	—
3 FAN FL MODELS	DRAIN PANS, PAINTED (WHITE)	NLA	—
4 FAN FL MODELS	DRAIN PANS, PAINTED (WHITE)	NLA	—

FOLLOWING DRAIN PANS ARE FOR UNITS PRODUCED AFTER APRIL 1, 1991. *

2 FAN FL MODELS	DRAIN PANS	10861406	\$720
3 FAN FL MODELS	DRAIN PANS	10861407	\$798
4 FAN FL MODELS	DRAIN PANS	10861403	\$916
5 FAN FL MODEL	DRAIN PANS	10861408	\$1,040
2 FAN MODEL (OPTIONAL)	DRAIN PANS, PAINTED (WHITE)‡	10861406W	\$1,264
3 FAN FL MODELS (OPTIONAL)	DRAIN PANS, PAINTED (WHITE)‡	10861407W	\$1,519
4 FAN FL MODELS (OPTIONAL)	DRAIN PANS, PAINTED (WHITE)‡	10861403W	\$1,736
5 FAN FL MODEL (OPTIONAL)	DRAIN PANS, PAINTED (WHITE)‡	10861408W	\$1,914

* ALL FLOW-TEMP DRAIN PANS SHIP VIA COMMON CARRIER, NO UPS.

NLA-NO LONGER AVAILABLE

‡ MUST ADD NOTE TO ORDER TO INCLUDE WHITE PAINTED HOUSING.

† NEED ONE OF EACH HEATER TO MAKE THE TOTAL LENGTH OF THE UNIT. ORIGINAL HEATER IS NO LONGER AVAILABLE.

INTER TEMP - MODELS ITA, ITE, ITG, ITH PRODUCED BEFORE MARCH, 1996

MODEL NUMBER	DESCRIPTION	PART NUMBER	LIST PRICE
ALL MODELS	FAN BLADES, 14" DIAM., 32° PITCH, CW	214100000	\$245
ALL MODELS	FAN GUARD, WIRE, EPOXY COATED, 14" (original part 213626002 - No Longer A v.)	203626003	NLA
ALL ITA 2 FAN MODELS	DRAIN PAN, 45-1/2" LENGTH*	21414700	NLA
ALL ITA 3 FAN MODELS	DRAIN PAN, 63-1/2" LENGTH*	21414800	NLA
ALL ITA 4 FAN MODELS	DRAIN PAN, 81-1/2" LENGTH*	21414900	NLA
ALL ITA 5 FAN MODELS	DRAIN PAN, 99-1/2" LENGTH*	21415000	NLA
ALL ITE, ITG, ITH MODELS	DEFROST CONTROL, ADJUSTABLE, RANCO F-25	204464037	\$418
ITE24-110, ITE24-105, ITE26-125, ITE26-270	DEFROST HEATERS, CORE, 671 WATTS, 47" LENGTH, 230 V. (4 REQ'D)	112755000	NLA
	DEFROST HEATERS, DRAIN PAN, 238 WATTS, 97-7/8" LENGTH, 230 V. (2 REQ'D)	113889000	\$418
	DRAIN PAN, 45-1/2" LENGTH*	21415100	\$563
ITE34-225, ITE36-256	DEFROST HEATERS, CORE, 959 WATTS, 65" LENGTH, 230 V. (4 REQ'D)	112756000	NLA
	DEFROST HEATERS, DRAIN PAN, 168 WATTS, 70-1/8" LENGTH, 230 V. (4 REQ'D)	113888000	NLA
	DRAIN PAN, 63-1/2" LENGTH*	21415200	NLA
ITE44-300, ITE46-340	DEFROST HEATERS, CORE, 1247 WATTS, 83" LENGTH, 230 V. (4 REQ'D)	112757000	NLA
	DEFROST HEATERS, DRAIN PAN, 213 WATTS, 88-1/4" LENGTH, 230 V. (4 REQ'D)	113887000	NLA
	DRAIN PAN, 81-1/2" LENGTH*	21415300	NLA
ITE54-380, ITE56-430	DEFROST HEATERS, CORE, 1535 WATTS, 101" LENGTH, 230 V. (4 REQ'D)	112758000	NLA
	DEFROST HEATERS, DRAIN PAN, 258 WATTS, 106-1/8" LENGTH, 230 V. (4 REQ'D)	NLA	-
	DRAIN PAN, 99-1/2" LENGTH*	21415400	NLA

CONTACT FACTORY FOR HOT GAS DRAIN PAN PRICING

FOLLOWING MOTORS ARE FOR UNITS PRODUCED BEFORE JANUARY 1, 1994.

ALL MODELS	MOTOR, SHADED POLE, 1/8 HP, 1050 RPM, 115V. (CAPACITOR NOT INCLUDED)	122830000	\$905
	MOTOR, PSC, 1/8 HP, 1050 RPM, 230V. (CAPACITOR NOT INCLUDED)	049-146	\$859
	MOTOR, SHADED POLE, 1/15 HP, 1050 RPM, 460V.	NLA	-
ALL 115V MODELS	CAPACITOR, 10 MFD, FOR 1/15 HP 115 V. PSC MOTOR	08216063	\$56
ALL 230V MODELS	CAPACITOR, 5 MFD, FOR 1/8 HP 230 V. PSC MOTOR	202163004	\$54
ALL 460V MODELS	CAPACITOR, 7.5 MFD, FOR 1/8 HP 460 V. PSC MOTOR	202163008	NLA

OR UNITS PRODUCED BETWEEN APRIL 30, 1994 AND MARCH, 1996.

ALL MODELS	MOTOR, PSC, 1/8 HP, 1050 RPM, 115 V., (CAPACITOR NOT INCLUDED)	122830000	\$905
	MOTOR, PSC, 1/8 HP, 1050 RPM, 230 V., (CAPACITOR NOT INCLUDED)	049-146	\$902
	MOTOR, PSC, 1/8 HP, 1050 RPM, 460 V., (CAPACITOR NOT INCLUDED)	049-175	\$960
ALL 115V MODELS	CAPACITOR, 10 MFD, FOR 1/15 HP 115 V. PSC MOTOR	08216063	\$56
ALL 230V MODELS	CAPACITOR, 5 MFD, FOR 1/8 HP 230 V. PSC MOTOR	202163004	\$54
ALL 460V MODELS	CAPACITOR, 7.5 MFD, FOR 1/8 HP 460 V. PSC MOTOR	202163006	\$59

INTER TEMP - MODELS ITA, ITE, ITG, ITH PRODUCED AFTER MARCH, 1996

ITA24-126,-169, ITA34-224,-287, ITA26-145,-191, ITA36-240,-305, ITA28-151,-210, ITA38-260,-320, ITE24-105, -140, ITE34-175, ITE26-130, -150, ITE36 -185	FAN BLADE, 14" 32° PITCH, CW	214100000	\$245
	FAN GUARD, 14" WIRE, EPOXY COATED, BLUE	213626002	NLA
	FAN GUARD, 14" WIRE, EPOXY COATED, BLACK	213626003	\$144
	FAN GUARD, AIR STRAIGHTENER, 14"	11344700	NLA
ITA24-340,-395, ITA34-465,-585, ITA26-370, ITA36-415, -490,-620, ITA28-410,-450, ITA38-540,-690, ITE24-230,-325, ITE34-390,-510, ITE26-270, ITE26-320, ITE36-385, ITE36-460, ITE36-520	FAN BLADE, 20" 25° PITCH, CW	213456000	\$331
	FAN GUARD, WIRE, EPOXY COATED, 20"	213484000	\$270
	FAN GUARD, AIR STRAIGHTENER, 20"	10692300	\$461

* INTER -TEMP DRAIN PANS MUST SHIP COMMON CARRIER, NO UPS.

NLA - NO LONGER AVAILABLE

INTER TEMP - MODELS ITA, ITE, ITG, ITH PRODUCED AFTER MARCH,1996 (CONT)

MODEL NUMBER	DESCRIPTION	PART NUMBER	LIST PRICE
ITA24-126,-169, ITA26-145,-191, ITA28-151,-210, ITE24-105,-140, ITE26-130,-150	DRAIN PAN, 55" LENGTH*	11523801	\$978
ITA34-224,287, ITA36-240,-305, ITA38-260,-320, ITE34-175, ITE36-185	DRAIN PAN, 76" LENGTH*	11523901	\$1,080
ITA24-340,-395, ITA26-370, ITA28-410,-450, ITE24-230,-325, ITE26-270,-320	DRAIN PAN, 76" LENGTH*	11524001	\$1,080
ITA34-465,-585, ITA38-540,-690, ITA36-415,-490,-620, ITE34-390,-510, ITE36-385,-460,-520	DRAIN PAN, 106" LENGTH*	11524101	\$1,080
ALL ITE MODELS	DEFROST TERMINATION CONTROL (USE 08219273)	103079010	NLA
ALL ITE MODELS	DEFROST TERMINATION CONTROL	08219273	\$156
ALL ITE MODELS	FAN DELAY CONTROL	103079009	\$156
ALL ITE MODELS	HEATER SAFETY CONTROL	103079003	\$144
ITE24-105, ITE24-140, ITE26-130, ITE26-150	DEFROST HEATERS, 240V, 1693 WATTS 50" LENGTH, 3 REQ.	206240022	\$383
	DEFROST HEATERS,460V, 1555 WATTS, 50" LENGTH, 3 REQ.	206240021	\$601
	DEFROST HEATERS,575V, 1555 WATTS, 50" LENGTH, 3 REQ.	206240030	\$601
ITE34-175, ITE24-230, ITE24-325, ITE36-185, ITE26-270, ITE26-320	DEFROST HEATERS, 240V, 2458 WATTS, 70" LENGTH, 3 REQ.	206240004	\$506
	DEFROST HEATERS, 460V, 2258 WATTS, 70" LENGTH, 3 REQ.	206240020	\$754
	DEFROST HEATERS, 575V, 2258 WATTS, 70" LENGTH, 3 REQ.	206240029	\$754
ITE34-390, ITE34-510, ITE36-385, ITE36-460, ITE36-520	DEFROST HEATERS, 240V, 3538 WATTS, 100" LENGTH, 3 REQ.	206240005	\$634
	DEFROST HEATERS, 460V, 3249 WATTS, 100" LENGTH, 3 REQ.	206240019	\$863
	DEFROST HEATERS, 575V, 3249 WATTS, 100" LENGTH, 3 REQ.	206240028	\$863
ITA24-126,-169, ITA34-224,-287, ITA26-145,-191, ITA36-240,-305, ITA28-151,-210, ITA38-260,-320	MOTOR, PSC, 115V, 1/8 HP, 1075 RPM (4 MFD CAP. NOT INCLUDED)	115248001	\$905
	CAPACITOR, 4MFD, FOR 1/8 HP (115 V, 230V, 460V.) PSC MOTOR	202163012	\$56
	MOTOR, ECM , 115V, 1/8 HP, 1075 RPM	08216128	1100
ITA24-340,-395, ITA34-465,-585, ITA26-370, ITA36-415, -490,-620, ITA28-410,-450, ITA38-540,-690, ITA24-340,-395, ITA34-465,-585	MOTOR, PSC, 115V, 1/3 HP, 1075 RPM	205051005	\$874
	MOTOR, PSC, 115V, 1/3 HP, 1075 RPM, LO-GRSE (5 MFD CAP. NOT INCLUDED)	205051020	\$982
	CAPACITOR, 5MFD, FOR 1/3 HP (115V) PSC MOTOR	202163004	\$54
	MOTOR, ECM , 115V, 1/3 HP, 1075 RPM	08216130	1087
ITA24-126,-169, ITA34-224,-287, ITA26-145,-191, ITA36-240,-305, ITA28-151,-210, ITA38-260,-320, ITE24-105, ITE24-140, ITE34-175, ITE26-130, ITE26-150, ITE36-185	MOTOR, PSC, 230V, 1/8 HP, 1075 RPM (4 MFD CAP. NOT INCLUDED)	115248002	\$905
	CAPACITOR, 4MFD, FOR 1/8 HP (115 V, 230V, 460V.) PSC MOTOR	202163012	\$56
	MOTOR, ECM , 230V, 1/8 HP, 1075 RPM	08216129	1141
ITA24-340,-395, ITA34-465,-585, ITA26-370,-415, ITA36-415,-490,-620, ITA28-410,-450, ITA38-540,-690, ITE24-230,-325, ITE34-390,-510, ITE26-270, ITE26-320, ITE36-385, ITE36-460, ITE36-520	MOTOR, PSC, 115V, 1/3 HP, 1075 RPM	205051004	\$455
	MOTOR, PSC, 230V, 1/3 HP, 1075 RPM, LO-GRSE (5.0 MFD CAP. NOT INCLUDED)	205051019	\$1,085
	CAPACITOR, 5.0 MFD, FOR 1/3 HP (230V) PSC MOTOR	202163004	\$54
	MOTOR, ECM , 230V, 1/3 HP, 1075 RPM	08216131	1326
ITA24-126,-169, ITA34-224,-287, ITA26-145,-191, ITA36-240,-305, ITA28-151,-210, ITA38-260,-320, ITE24-105, ITE24-140, ITE34-175, ITE26-130, ITE26-150, ITE36-185	MOTOR, PSC, 460V, 1/8 HP, 1075 RPM (4 MFD CAP. NOT INCLUDED)	115248003	\$960
	MOTOR, PSC, 575V, 1/8 HP, 1075 RPM (4 MFD CAP. NOT INCLUDED)	115951000	\$1,066
	CAPACITOR, 4MFD, FOR 1/8 HP (115 V, 230V, 460V.) PSC MOTOR	202163012	\$56
ITA24-340,-395, ITA34-465,-585, ITA26-370,-415, ITA36-490,-620, ITA28-410,-450, ITA38-540,-690, ITE24-230,-325, ITE34-390,-510, ITE26-270, ITE26-320, ITE36-385, ITE36-460, ITE36-520	MOTOR, PSC, 460V, 1/3 HP, 1075 RPM (NO LONGER AVAILABLE use 205051021)	205051006	\$857
	MOTOR, PSC, 460V, 1/3 HP, 1075 RPM, LO-GRSE (7.5 MFD CAP. NOT INCLUDED)	205051021	\$1,197
	MOTOR, PSC, 575V, 1/3 HP, 1075 RPM (7.5 MFD CAP. NOT INCLUDED)	115950000	\$1,140
	CAPACITOR, 7.5 MFD, FOR 1/3 HP (230V,460V) PSC MOTOR	202163006	\$59
MODELS WITH 14" FANS	MOTOR MOUNT 14"	214837000	\$153
MODELS WITH 20" FANS	MOTOR MOUNT 20"	210225000	\$266

* INTER - TEMP DRAIN PANS MUST SHIP VIA COMMON CARRIER. NO UPS SHIPMENTS
BOLD PART NUMBERS ARE FOR REPLACEMENT MOTORS

ULTRA TEMP - MODELS U*U, U*L, U*M, UAH

MODEL NUMBER	DESCRIPTION	PART NUMBER	LIST PRICE
ALL MODELS	DEFROST CONTROL, ADJUSTABLE, RANCO F-25	204464037	\$418
ALL 1 FAN MODELS	DEFROST HEATERS, CORE, 1378 WATTS, 40" LENGTH, 208-230/460 V. (4 REQ'D)	206240003	\$313
	DEFROST HEATERS, CORE, 1378 WATTS, 40" LENGTH, 300 V. (4 REQ'D)	206240025	\$395
ALL 2 FAN MODELS	DEFROST HEATERS, CORE, 2458 WATTS, 70" LENGTH, 208-230/460 V. (4 REQ'D)	206240004	\$506
	DEFROST HEATERS, CORE, 2458 WATTS, 70" LENGTH, 300 V. (4 REQ'D)	206240026	\$641
ALL 3 FAN MODELS	DEFROST HEATERS, CORE, 3538 WATTS, 100" LENGTH, 208-230/460 V. (4 REQ'D)	206240005	\$634
	DEFROST HEATERS, CORE, 3538 WATTS, 100" LENGTH, 300 V. (4 REQ'D)	206240027	\$821
UEU4-711	DEFROST HEATERS, CORE, 2305 WATTS, 132" LENGTH, 208-230/460 V. (8 REQ'D)	206240002	\$504
UEL4-817, UEL4-722 UEM4-780, UEM4-882	DEFROST HEATERS, CORE, 2305 WATTS, 132" LENGTH, 300 V. (8 REQ'D)	206240024	\$641
UEU4-851, UEU4-1080, UEL4-950, UEL4-1100, UEL4-1260, UEL4-1380, UEM4-1100 UEM4-1320, UEM4-1656	DEFROST HEATERS, CORE, 2305 WATTS, 132" LENGTH, 208-230/460 V. (12 REQ'D)	206240002	\$504
	DEFROST HEATERS, CORE, 2305 WATTS, 132" LENGTH, 300 V. (12 REQ'D)	206240024	\$641
UEU5-1350, UEL5-1575	DEFROST HEATERS, CORE, 2837 WATTS, 162" LENGTH, 208-230/460 V (12 REQ'D)	206240017	\$582
UEL5-1725, UEM5-2065	DEFROST HEATERS, CORE, 2837 WATTS, 162" LENGTH, 208V (300V units) (12 REQ'D)	206240032	\$601
UEU6-1620, UEL6-1890	DEFROST HEATERS, CORE, 3369 WATTS, 192" LENGTH, 208-230/460 V (12 REQ'D)	206240018	\$698
UEL6-2070, UEM6-2480	DEFROST HEATERS, CORE, 3369 WATTS, 192" LENGTH, 208V (300V units) (12 REQ'D)	206240031	\$728
ALL MODELS	DEFROST HEATER, DRAIN PLUG, 540 WATTS, 208-230/460 V.	10780703	NLA

FOLLOWING DRAIN PANS ARE FOR UNITS PRODUCED BEFORE JULY 31, 1995 (contact factory for Hot Gas Pans)**

1 FAN MODELS	DRAIN PAN, 46-1/2"LENGTH - (SHIPS FROM YUMA, AZ) SPECIFY MOD# AND S/N.	12270501	\$861
2 FAN MODELS	DRAIN PAN, 76-1/2"LENGTH - (SHIPS FROM YUMA, AZ) SPECIFY MOD# AND S/N.	12270502	\$968
3 FAN MODELS	DRAIN PAN, 106-1/2"LENGTH - (SHIPS FROM YUMA, AZ) SPECIFY MOD# AND S/N.	12270503	\$1,068
4 FAN MODELS	DRAIN PAN, 136-1/2"LENGTH - (SHIPS FROM YUMA, AZ) SPECIFY MOD# AND S/N.	12270504	\$1,173
5 FAN MODELS	DRAIN PAN, 166-1/2"LENGTH - (SHIPS FROM YUMA, AZ) SPECIFY MOD# AND S/N.	12270505	\$1,420
6 FAN MODELS	DRAIN PAN, 196-1/2"LENGTH - (SHIPS FROM YUMA, AZ) SPECIFY MOD# AND S/N.	21505600	\$1,759

FOLLOWING DRAIN PANS ARE FOR UNITS PRODUCED AFTER JULY 31, 1995 (contact factory for Hot Gas Pans)**

1 FAN MODELS	DRAIN PAN, 46-1/2"LENGTH - (SHIPS FR YUMA, AZ) SPECIFY MOD# AND S/N.	10642401	\$861
2 FAN MODELS	DRAIN PAN, 76-1/2"LENGTH - (SHIPS FR YUMA, AZ) SPECIFY MOD# AND S/N.	10642402	\$968
3 FAN MODELS	DRAIN PAN, 106-1/2"LENGTH - (SHIPS FROM YUMA, AZ) SPECIFY MOD# AND S/N.	10642403	\$1,068
4 FAN MODELS (AIR DEFROST)	DRAIN PAN, 136-1/2"LENGTH - (SHIPS FROM YUMA, AZ) SPECIFY MOD# AND S/N.	10642404	\$1,173
5 FAN MODELS (AIR DEFROST)	DRAIN PAN, 166-1/2"LENGTH - (SHIPS FROM YUMA, AZ) SPECIFY MOD# AND S/N.	21884500	\$1,420
6 FAN MODELS (AIR DEFROST)	DRAIN PAN, 196-1/2"LENGTH - (SHIPS FROM YUMA, AZ) SPECIFY MOD# AND S/N.	21884600	\$1,559
4 FAN MODELS (ELEC. DEF)	DRAIN PAN, 136-1/2"LENGTH - (SHIPS FROM YUMA, AZ) SPECIFY MOD# AND S/N.	21485900	\$1,371
5 FAN MODELS (ELEC. DEF)	DRAIN PAN, 166-1/2"LENGTH - (SHIPS FROM YUMA, AZ) SPECIFY MOD# AND S/N.	21512700	\$1,617
6 FAN MODELS (ELEC. DEF)	DRAIN PAN, 196-1/2"LENGTH - (SHIPS FROM YUMA, AZ) SPECIFY MOD# AND S/N.	21505600	\$1,759
4,5,6, FAN MODELS	DRAIN PAN, CONNECTION 1-1/4"	114896001	\$61

FOLLOWING DRAIN PAN HEATERS ARE FOR UNITS PRODUCED AFTER JULY 31, 1995**

1-3 FAN MODELS*	NOT REQUIRED	NLA	-
4 FAN MODELS	DRAIN PAN HTR, 133-1/2"LENGTH, SPEC. MOD# AND S/N.(2 REQ.), 540 WATTS, 230V	115098000	\$543
	DRAIN PAN HTR, 146-1/8"LENGTH, SPEC. MOD# AND S/N.(2 REQ.), 540 WATTS, 300V	125704000	\$574
5 FAN MODELS	DRAIN PAN HTR, 163-1/2"LENGTH, SPEC. MOD# AND S/N.(2 REQ.), 660 WATTS, 230V	115099000	\$612
	DRAIN PAN HTR, 176-1/8"LENGTH, SPEC. MOD# AND S/N.(2 REQ.), 660 WATTS, 300V	125705000	\$647
6 FAN MODELS	DRAIN PAN HTR, 196-1/2"LENGTH, SPEC. MOD# AND S/N.(2 REQ.), 780 WATTS, 230V	115100000	\$748
	DRAIN PAN HTR, 206-1/8"LENGTH, SPEC. MOD# AND S/N.(2 REQ.), 780 WATTS, 300V	125706000	\$805

FOLLOWING FAN BLADES ARE FOR UNITS PRODUCED BEFORE APRIL 1, 1990.

ALL 1, 2, & 3 FAN U*U, AND U*L MODELS, AND U*U4-711, U*L4-722, U*L4-817	FAN BLADES, 20" DIAM., 23° PITCH, CW, 1/2" BORE	202147008	\$376
U*U4-851, U*U4-1080, U*L4-1100, U*L4-1380 U*M4-1320, U*M4-1656, UAH4-1452, UAH4-1821	FAN BLADES, 24" DIAM., 32° PITCH, CW, 1/2" BORE, 3 BLADES	213455000	\$376
		08221050	\$376
ALL 1, 2, & 3 FAN U*M, AND UAH MODELS, AND U*M4-780, U*M4-822, UAH4-866, UAH4-980	FAN BLADES, 20" DIAM., 25° PITCH, CW, 1/2" BORE	213456000	\$331

* NO DRAIN PAN HEATERS FOR 1 - 3 FAN MODELS (BOTTOM CORE HEATER DEFROSTS THE DRAIN PAN.)

NLA - NO LONGER AVAILABLE

** MUST SHIP VIA COMMON CARRIER. NO UPS SHIPMENTS

ULTRA TEMP - MODELS U*U, U*L, U*M, UAH (Con't)

FOLLOWING FAN BLADES ARE FOR UNITS PRODUCED AFTER APRIL 1, 1990.

U*U1-118, U*U2-236, U*L1-125 U*L1-152, U*L1-193, U*L2-240, U*L2-304	FAN BLADES, 20" DIAM., 23° PITCH, CCW , 1/2" BORE	202147008	\$376
U*U2-355, U*L2-361, U*L2-408, U*M4-1100, U*M4-1320, U*M4-1656, UAH4-1452, UAH4-1821, UAH5-2275, UAH6-2730, & ALL 3, 4, 5, & 6 FAN U*U AND U*L MODELS	FAN BLADES, 24" DIAM., 32° PITCH, CW, 1/2" BORE, 3 BLADES	213455000	\$376
		08221050	\$376
U*M1-164, U*M1-209, U*M2-270, U*M2-239, UAH1-182, UAH1-232, UAH2-300, UAH2-365	FAN BLADES, 20" DIAM., 25° PITCH, CW, 1/2" BORE	213456000	\$331
U*M2-390, U*M2-441, UAH2-433, UAH2-490, ALL 3 FAN U*M, AND UAH MODELS U*M4-780, U*M4-882, U*M5-2065, U*M6-2480, UAH4-866, UAH4-980, UAH4-1100	FAN BLADES, 24" DIAM., 14° PITCH, CW , 1/2" BORE	214041000	\$365
U*U1-118, U*U2-236, U*L1-125, U*L1-152, U*L1-193, U*L2-240, U*L2-304, U*M1-164, U*M1-209, U*M2-270, U*M2-329, UAH1-182, UAH1-232, UAH2-300, UAH2-365	FAN GUARD, WIRE, EPOXY COATED, 20"	213484000	\$270
	FAN GUARD, AIR STRAIGHTENER (20" FANS)	10692300	\$461
U*U2-355, U*L2-361, U*L2-408, U*M2-390, U*M2-441, UAH2-433, UAH2-490, AND ALL 3, 4, 5, & 6 FAN U*U, U*L, U*M, UAH MODELS	FAN GUARD, WIRE, EPOXY COATED, 24"	202136005	\$552
	FAN GUARD, AIR STRAIGHTENER (24" FANS)	10709900	\$552

FOLLOWING MOTORS ARE FOR UNITS PRODUCED BEFORE APRIL 1, 1990.

ALL 1, 2, & 3 FAN U*M, & UAH & U*M4-780, U*M4-882, UAH4-866, UAH4-980, UAH4-1100	MOTOR, PSC, 115V, 1/3 HP, 1075 RPM (NO LONGER AVAILABLE FOR EVAP. UNITS)	205051005	\$874
	MOTOR, PSC, 115V, 1/3 HP, 1075 RPM, LO-GRSE (5 MFD CAP. NOT INCLUDED)	205051020	\$982
	MOTOR, PSC, 230V, 1/3 HP, 1075 RPM (NO LONGER AVAILABLE FOR EVAP. UNITS)	205051004	\$455
	MOTOR, PSC, 230V, 1/3 HP, 1075 RPM, LO-GRSE (5.0 MFD CAP. NOT INCLUDED)	205051019	\$1,085
	MOTOR, PSC, 460V, 1/3 HP, 1075 RPM (NO LONGER AVAILABLE FOR EVAP UNITS)	205051006	\$857
U*U4-851, U*U4-1080, U*L4-1100, U*L4-1380 U*M4-1320, U*M4-1656, UAH4-1452, UAH4-1821	MOTOR, PSC, 3/4 HP, 1075RPM, 208-230/60/1 (NO LONGER AVAILABLE FOR EVAPS)	205051009	\$1,197
	MOTOR, PSC, 3/4 HP, 1075RPM, 208-230/60/1 (5 MFD CAPACITOR NOT INCLUDED)	118187000	\$1,512
	MOTOR, PSC, 3/4 HP, 1075RPM, 460/60/1 (NO LONGER AVAILABLE FOR EVAP UNITS)	205051002	\$1,318
	MOTOR, PSC, 3/4 HP, 1075RPM, 460/60/1 (5 MFD CAPACITOR NOT INCLUDED)	118186000	\$1,729
	MOTOR, PSC, 3/4 HP, 1625 RPM, 208-230/60/1 (7.5 MFD CAPACITOR NOT INCLUDED)	205051007	\$1,226
ALL 1, 2, & 3 FAN U*U, AND U*L MODELS, AND U*U4-711, U*L4-722, U*L4-817	MOTOR, PSC, 3/4 HP, 1625 RPM, 460/60/1 (7.5 MFD CAPACITOR NOT INCLUDED)	205051008	\$1,319
	MOTOR, MOUNT, 24"	205269000	\$266

FOLLOWING MOTORS ARE FOR UNITS PRODUCED AFTER APRIL 1, 1990.

ALL 1, 2, 3, FAN U*M, AND UAH MODELS, AND U*M4-780, U*M4-882, UAH4-866, UAH4-980, UAH4-1100	MOTOR, PSC, 115V, 1/3 HP, 1075 RPM (NO LONGER AVAILABLE FOR EVAP. UNITS)	205051005	874
	MOTOR, PSC, 115V, 1/3 HP, 1075 RPM, LO-GRSE (5 MFD CAP. NOT INCLUDED)	205051020	982
	MOTOR, ECM , 1/3 HP, 1075 RPM, CCW, 115V	08216130	1087
	MOTOR, PSC, 230V, 1/3 HP, 1075 RPM (NO LONGER AVAILABLE FOR EVAP. UNITS)	205051004	455
	MOTOR, PSC, 230V, 1/3 HP, 1075 RPM, LO-GRSE (5.0 MFD CAP. NOT INCLUDED)	205051019	1085
	MOTOR, ECM , 1/3 HP, 1075 RPM, CCW, 230V	08216131	1326
	MOTOR, PSC, 460V, 1/3 HP, 1075 RPM (NO LONGER AVAILABLE FOR EVAP UNITS)	205051006	857
	MOTOR, PSC, 460V, 1/3 HP, 1075 RPM, LO-GRSE (7.5 MFD CAP. NOT INCLUDED)	205051021	1197
U*U2-355, U*L2-361, U*L2-408, AND ALL 3, 4, 5, & 6 FAN U*U, AND U*L MODELS, U*M4-1100, U*M4-1320, U*M4-1656, U*M5-2065 U*M6-2480, UAH4-1452, UAH4-1821 UAH5-2275, UAH6-2730	MOTOR, PSC, 3/4 HP, 1075RPM, 208-230/60/1 (NO LONGER AVAILABLE FOR EVAPS)	205051009	1197
	MOTOR, PSC, 3/4 HP, 1075RPM, 208-230/60/1 (5 MFD CAPACITOR NOT INCLUDED)	118187000	1512
	MOTOR, PSC, 3/4 HP, 1075RPM, 460/60/1 (NO LONGER AVAILABLE FOR EVAP UNITS)	205051002	1318
	MOTOR, PSC, 3/4 HP, 1075RPM, 460/60/1 (5 MFD CAPACITOR NOT INCLUDED)	118186000	1729
	MOTOR, PSC, 1/2 HP, 1075RPM, 575/60/1 (5 MFD CAPACITOR NOT INCLUDED)	115952000	1080
U*U1-118, U*U2-236, U*L1-125, U*L1-152, U*L1-193, U*L2-240 U*L2-304	MOTOR, ECM , 3/4 HP, 1075 RPM, CCW, 230V	08216132	1463
	MOTOR, PSC, 3/4 HP, 1625 RPM, 208-230/60/1 (7.5 MFD CAPACITOR NOT INCLUDED)	205051007	1226
	MOTOR, PSC, 3/4 HP, 1625 RPM, 460/60/1 (7.5 MFD CAPACITOR NOT INCLUDED)	205051008	1319
	MOTOR, PSC, 1/2 HP, 1075RPM, 575/60/1 (5 MFD CAPACITOR NOT INCLUDED)	115952000	1080
ALL MODELS	MOTOR, ECM , 3/4 HP, 1625 RPM, CCW, 230V	08216133	1409
	MOTOR, MOUNT, 24"	205269000	266
ALL MODELS	CAPACITOR, 5MFD, 230/1 V. PSC MOTORS ONLY	202163004	54
	CAPACITOR, 7.5 MFD, 230/1 V. PSC MOTORS ONLY	202163006	59

BOLD PART NUMBERS ARE FOR REPLACEMENT MOTORS

FLEX TEMP-MODELS FT

MODEL NUMBER	DESCRIPTION	PART NUMBER	LIST PRICE
FT18-6, FT18-8	DRAIN PAN-VENTURI	20985600	\$160
	FAN BLADES, PLASTIC, 6" DIAM., 21° PITCH, CW, HUBLESS	105849001	\$66
	FAN GUARD, PLASTIC, 6"	205932000	\$104
	MOTOR, SKELETON FRAME, SHADED POLE, 43 WATT INPUT, 3000 RPM, 115 V.	102249005	\$191
	MOTOR, SKELETON FRAME, SHADED POLE, 43 WATT INPUT, 3000 RPM, 230 V.	102249007	\$191
FT28-12	DRAIN PAN-VENTURI	20985500	\$210
	FAN BLADES, PLASTIC, 6" DIAM., 21° PITCH, CW, HUBLESS	105849001	\$66
	FAN GUARD, PLASTIC, 6"	205932000	\$104
	MOTOR, SKELETON FRAME, SHADED POLE, 43 WATT INPUT, 3000 RPM, 115 V.	102249005	\$191
	MOTOR, SKELETON FRAME, SHADED POLE, 43 WATT INPUT, 3000 RPM, 230 V.	102249007	\$191
FT18-17	DRAIN PAN-VENTURI	20985400	\$252
	FAN BLADES, 8" DIAM., 31° PITCH, CW, HUBLESS	204395009	\$57
	FAN GUARD, PLASTIC, 8"	206569000	\$106
	MOTOR, SHADED POLE, 9 WATT, 1550 RPM, 115 V.	103104004	\$189
	MOTOR, SHADED POLE, 9 WATT, 1550 RPM, 230 V.	103104005	\$189
	MOTOR, ECM , 16W, 1550 RPM, 115V	107933006	792
	MOTOR, ECM , 16W, 1550 RPM, 230V	107933003	821
FT18-23, FT18-31	DRAIN PAN-VENTURI	20985300	\$320
	FAN BLADES, 10" DIAM., 25° PITCH, CCW	214022000	\$61
	FAN GUARD, WIRE, EPOXY COATED , 10"	201006002	\$113
	MOTOR, SHADED POLE, 1/20 HP, 1550 RPM, 115 V. (USE 08216072)	102540003	NLA
	MOTOR, SHADED POLE, 1/20 HP, 1550 RPM, 115 V.	08216072	\$243
	MOTOR, SHADED POLE, 1/20 HP, 1550 RPM, 208-230 V.	102540004	\$243
	MOTOR, SHADED POLE, 1/20 HP, 1550 RPM, 208-230 V. (USE 08216071)	8216071	\$243
	MOTOR, ECM , 1/30 HP, 1550 RPM, 115V	08216126	924
MOTOR, ECM , 1/30 HP, 1550 RPM, 230V	08216127	965	

HI TEMP - MODELS HI

HI17-6, HI17-9, HI17-12, HI17-15	DRAIN PAN	NLA	-
HI17-18, HI17-25	DRAIN PAN	NLA	-
HI17-35, HI17-45, HI18-55	DRAIN PAN	NLA	-
HI17-65, HI17-75, HI18-85	DRAIN PAN	NLA	-
HI17-105, HI18-120	DRAIN PAN	NLA	-
HI27-150, HI27-180	DRAIN PAN	NLA	-
HI17-6	FAN BLADES, 6" DIAM., 20° PITCH, CW, HUBLESS	105849001	66
HI17-9, HI17-12, HI17-15	FAN BLADES, 8" DIAM., 31° PITCH, CW , HUBLESS	204395009	57
HI17-18, HI17-25	FAN BLADES, 10" DIAM., 20° PITCH, CW, HUBLESS	204395015	61
HI17-35	FAN BLADES, 12" DIAM., 19° PITCH, CW, 5/16" BORE	NLA	-
HI17-45	FAN BLADES, 12" DIAM., 19° PITCH, CW, 5/16" BORE	NLA	-
HI18-55	FAN BLADES, 12" DIAM., 23° PITCH, CW, 5/16" BORE	215112000	181
HI17-65, HI27-150,	FAN BLADES, 16" DIAM., 19° PITCH, CW, 1/2" BORE	11905	227
HI17-75, HI18-85, HI17-105 HI18-120, HI27-180	FAN BLADES, 16" DIAM., 23° PITCH, CW, 1/2" BORE	NLA	-
HI17-6	FAN GUARD, PLASTIC, 6"	205932000	104
HI17-9, HI17-12, HI17-15	FAN GUARD, PLASTIC, 8"	206569000	106
HI17-18, HI17-25	FAN GUARD, WIRE, EPOXY COATED , 10"	08397002	113
HI17-35, HI17-45, HI18-55	FAN GUARD, WIRE, EPOXY COATED , 12"	201006011	113
HI17-65 THRU HI27-180	FAN GUARD, WIRE, EPOXY COATED , 16"	201006004	153
HI17-6, HI17-9, HI17-12	MOTOR, SHADED POLE, 4 WATT, 1550 RPM, 115 V.	NLA	-
HI17-15, HI17-18, HI17-25	MOTOR, SHADED POLE, 9 WATT, 1550 RPM, 115 V.	103104004	189
	MOTOR, SHADED POLE, 9 WATT, 1550 RPM, 230 V.	103104005	189
HI17-35, HI17-45, HI18-55	MOTOR, SHADED POLE, 1/20 HP, 1550 RPM, 115 V.	08216072	243
	MOTOR, SHADED POLE, 1/20 HP, 1550 RPM, 230 V.	08216071	243
HI17-65, HI17-75, HI18-85, HI17-105, HI27-150, HI27-180	MOTOR, SHADED POLE, 1/12 HP, 1050 RPM, 115 V.	08216119	681
	MOTOR, SHADED POLE, 1/12 HP, 1050 RPM, 230 V.	NLA	-
HI18-120	MOTOR, SHADED POLE, 1/6 HP, 1050 RPM, 115/230 V.	NLA	-
HI17-6 THRU HI18-55	MOTOR MOUNT (SPECIFY UNIT MODEL NUMBER WHEN ORDERING)	NLA	-
HI17-65 THRU HI27-180	MOTOR MOUNT (SPECIFY UNIT MODEL NUMBER WHEN ORDERING)	NLA	-

NLA - NO LONGER AVAILABLE

ASL MODELS

MODEL NUMBER	DESCRIPTION	PART NUMBER	LIST PRICE
ASL25-46E	DEFROST HEATERS, CORE, 1300 WATTS, 39" LENGTH, 230 V.	205221013	\$351
	DRAIN PAN, 46" LENGTH	20248901	\$528
ASL25-58E	DEFROST HEATERS, CORE, 1970 WATTS, 48" LENGTH, 230 V.	200172026	\$377
	DRAIN PAN	202489001	\$528
ASL35-70E	DEFROST HEATERS, CORE, 1850 WATTS, 62" LENGTH, 230 V.	205221016	\$552
	DRAIN PAN, 69" LENGTH	20248902	\$634
ASL45-94E	DEFROST HEATERS, CORE, 1250 WATTS, 42" LENGTH, 230 V. (2 REQ'D)	205221007	\$456
	DRAIN PAN, 92" LENGTH	20248903	\$701
ASL55-117E	DEFROST HEATERS, CORE, 1600 WATTS, 54" LENGTH, 230 V. (2 REQ'D)	205221010	\$522
	DRAIN PAN, 115" LENGTH	20248904	\$769
ALL "ASL-E" MODELS	DEFROST CONTROL, NON-ADJUSTABLE, 3 WIRE	103079002	\$156
ALL "ASL-E" MODELS	HEATER SAFETY SWITCH, 2 WIRE	103079003	\$144
ALL "ASL" MODELS	FAN BLADES, 10" DIAM., 31° PITCH, CCW, HUBLESS, 1/4" BORE	204395018	\$61
ALL "ASL" MODELS	FAN GUARD, WIRE, EPOXY COATED, 10", (WHITE)	08397053	\$113
ALL "ASL" MODELS	MOTOR MOUNT	10243000	\$113
ALL "ASL" MODELS Shaded Pole Motors	MOTOR, SHADED POLE , 16 WATT, 1550 RPM, 115 V.	103104007	\$224
	MOTOR, SHADED POLE , 16 WATT, 1550 RPM, 230 V.	103104008	\$224
ALL "ASL" MODELS Permanent Split Capacitor Motors	MOTOR, PSC , 16 WATT, 1550 RPM, 115 V.	107933001	\$456
	MOTOR, PSC , 16 WATT, 1550 RPM, 230 V. (Use 107933003)	107933002	NLA
ALL MODELS Electronically Commutated Motors	MOTOR, ECM , 16 WATT, 1550 RPM, 115 V.	107933006	792
	MOTOR, ECM , 16 WATT, 1550 RPM, 230 V.	107933003	821

ASLA & ASLE

ASLE 25-46	DEFROST HEATERS, CORE, 1300 WATTS, 39" LENGTH, 230 V.	205221013	\$351
	DRAIN PAN	202489001	\$528
ASLE 25-58	DEFROST HEATERS, CORE, 1970 WATTS, 48" LENGTH, 230 V.	200172026	\$377
	DRAIN PAN	202489001	\$528
ASLE 35-70	DEFROST HEATERS, CORE, 1850 WATTS, 62" LENGTH, 230 V.	205221016	\$552
	DRAIN PAN	202489002	\$634
ASLE 45-94	DEFROST HEATERS, CORE, 1250 WATTS, 42" LENGTH, 230 V. (2 REQ'D)	205221007	\$456
	DRAIN PAN	202489003	\$701
ASLE55-117	DEFROST HEATERS, CORE, 1600 WATTS, 54" LENGTH, 230 V. (2 REQ'D)	205221010	\$522
	DRAIN PAN	202489004	\$769
ASLE 65-150	DEFROST HEATERS, CORE, 1850 WATTS, 62" LENGTH, 230 V. (2 REQ'D)	205221016	\$552
	DRAIN PAN	22118700	\$634
ALL "ASLE" MODELS	DEFROST CONTROL, DEFROST TERMINATION, (TIMER RESET) 2 WIRE (USE 0821973)	103079010	NLA
ALL "ASLE" MODELS	DEFROST CONTROL, DEFROST TERMINATION, (TIMER RESET) 2 WIRE	0821973	\$156
ALL "ASLE" MODELS	DEFROST CONTROL, FAN DELAY, 2 WIRE	103079009	\$156
ALL "ASLE" MODELS	HEATER SAFETY SWITCH, 2 WIRE	103079003	\$144
ALL "ASL" MODELS	FAN BLADES, 10" DIAM., 31° PITCH, CCW, HUBLESS, 1/4" BORE	204395018	\$61
ALL "ASL" MODELS	FAN GUARD, WIRE, EPOXY COATED, 10"	201006002	\$113
ALL "ASL" MODELS Shaded Pole Motors	MOTOR, SHADED POLE , 16 WATT, 1550 RPM, 115 V.	103104007	\$224
	MOTOR, SHADED POLE , 16 WATT, 1550 RPM, 230 V.	103104008	\$224
ALL "ASL" MODELS Permanent Split Capacitor Motors	MOTOR, PSC , 16 WATT, 1550 RPM, 115 V.	107933001	\$456
	MOTOR, PSC , 16 WATT, 1550 RPM, 230 V. (USE 107933003)	107933002	NLA
ALL MODELS Electronically Commutated Motors	MOTOR, ECM , 16 WATT, 1550 RPM, 115 V.	107933006	792
	MOTOR, ECM , 16 WATT, 1550 RPM, 230 V.	107933003	821

MINI TWIN TEMP - MODELS MTW

MODEL NUMBER	DESCRIPTION	PART NUMBER	LIST PRICE
MTW18-8	DRAIN PAN (VENTURI)	20317800	\$206
MTW28-13	DRAIN PAN (VENTURI)	20317900	\$273
MTW28-18	DRAIN PAN (VENTURI)	20317900	\$273
MTW38-27	DRAIN PAN (VENTURI)	203176000	\$281
ALL "MTW" MODELS	FAN BLADES, 6" DIAM., 21° PITCH, CW, 1/4" BORE, PLASTIC	105849001	\$66
ALL "MTW" MODELS	FAN GUARD, PLASTIC, 6"	205932000	\$104
ALL "MTW" MODELS	MOTOR, SKELETON FRAME, SHADED POLE, 43 WATT INPUT, 3000 RPM, 115 V.	102249005	\$191
ALL "MTW" MODELS	MOTOR, SKELETON FRAME, SHADED POLE, 43 WATT INPUT, 3000 RPM, 230 V.	102249007	\$191
ALL "MTW" MODELS	MOTOR MOUNT	12003600	\$57

MULLION TEMP - MODELS MUF, MDF, WAX

ALL 27-13, AND 27-17 MODELS	DRAIN PAN	20782200	\$160
ALL 37-23 MODELS	DRAIN PAN	20988300	\$195
ALL MUF AND WAX MODELS	FAN BLADES, 5" DIAM., CCW , PLASTIC	105849004	\$49
ALL MDF MODELS	FAN BLADES, 5" DIAM., CW, PLASTIC	105849002	\$49
ALL MDF MODELS	FAN GUARD, Plastic 5"	207824000	\$102
ALL MODELS	MOTOR, SKELETON FRAME, SHADED POLE, 43 WATT INPUT, 3000 RPM, 115 V.	102249005	\$191
	MOTOR, SKELETON FRAME, SHADED POLE, 43 WATT INPUT, 3000 RPM, 230 V.	102249007	\$191

SLIM TEMP - MODELS SL, AIR AND ELECTRIC DEFROST

SLE- ALL MODELS	DEFROST TERMINATION / FAN DELAY 3 WIRE NON-ADJUSTABLE	103079002	\$156
SL15-9E	DEFROST HEATER, CORE, 420 WATTS, 10" LENGTH, 115 V.	NLA	-
	DEFROST HEATER, CORE, 420 WATTS, 10" LENGTH, 230 V.	NLA	-
SL15-11E	DEFROST HEATERS, CORE, 500 WATTS, 14" LENGTH, 115 V.	NLA	-
	DEFROST HEATERS, CORE, 500 WATTS, 14" LENGTH, 230 V.	NLA	-
SL25-15E	DEFROST HEATERS, CORE, 700 WATTS, 17" LENGTH, 115 V.	NLA	-
	DEFROST HEATERS, CORE, 700 WATTS, 17" LENGTH, 230 V.	NLA	-
SL25-20E	DEFROST HEATERS, CORE, 900 WATTS, 24" LENGTH, 115 V.	NLA	-
	DEFROST HEATERS, CORE, 900 WATTS, 24" LENGTH, 230 V.	NLA	-
SL35-26E	DEFROST HEATERS, CORE, 1300 WATTS, 33" LENGTH, 115 V.	NLA	-
	DEFROST HEATERS, CORE, 1300 WATTS, 33" LENGTH, 230 V.	NLA	-
SL45-33E	DEFROST HEATERS, CORE, 1600 WATTS, 41" LENGTH, 115 V.	NLA	-
	DEFROST HEATERS, CORE, 1600 WATTS, 41" LENGTH, 230 V.	NLA	-
SL55-44E	DEFROST HEATERS, CORE, 2100 WATTS, 56" LENGTH, 115 V.	NLA	-
	DEFROST HEATERS, CORE, 2100 WATTS, 56" LENGTH, 230 V.	NLA	-
SL35-58E	DEFROST HEATERS, CORE, 2200 WATTS, 56" LENGTH, 230 V.	200172027	\$418
SL35-70E	DEFROST HEATERS, CORE, 1220 WATTS, 30 LENGTH, 230 V. (1 REQ'D)	200172023	\$394
	DEFROST HEATERS, CORE, 1760 WATTS, 42 LENGTH, 230 V. (1 REQ'D)	205221007	\$456
SL45-87E	DEFROST HEATERS, CORE, 1300 WATTS, 39 LENGTH, 230 V. (1 REQ'D)	205221013	\$351
	DEFROST HEATERS, CORE, 1970 WATTS, 48 LENGTH, 230 V. (1 REQ'D)	200172026	\$377
SL17-10, SL15-9E	DRAIN PAN	NLA	-
SL17-13, SL15-11E	DRAIN PAN	NLA	-
SL27-17, SL25-15E	DRAIN PAN	NLA	-
SL27-23, SL25-20E	DRAIN PAN	NLA	-
SL37-30, SL35-26E	DRAIN PAN	NLA	-
SL47-37, SL45-33E	DRAIN PAN	NLA	-
SL57-50, SL55-44E	DRAIN PAN	NLA	-
SL35-58E	DRAIN PAN	NLA	-
SL35-70E	DRAIN PAN	NLA	-
SL45-87E	DRAIN PAN	NLA	-
SL15-9(E) THRU SL55-44(E)	FAN BLADES, 6" DIAM., 21° PITCH, CW , 1/4" BORE, PLASTIC	105849001	\$66
SL35-58(E), SL35-70(E), SL45-87(E)	FAN BLADES, 10" DIAM., 31° PITCH, CCW , HUBLESS, 1/4" BORE	204395018	\$61
SL15-9(E) THRU SL55-44(E)	FAN GUARD, PLASTIC, 6"	205932000	\$104
SL35-58(E), SL35-70(E), SL45-87(E)	FAN GUARD, WIRE, EPOXY COATED, 10", (WHITE)	08397053	\$113
SL15-9(E) THRU SL55-44(E)	MOTOR, SKELETON FRAME, SHADED POLE, 43 WATT INPUT, 3000 RPM, 115 V.	102249005	\$191
	MOTOR, SKELETON FRAME, SHADED POLE, 43 WATT INPUT, 3000 RPM, 230 V.	102249007	\$191
SL35-58(E), SL35-70(E), SL45-87(E)	MOTOR, SHADED POLE, 16 WATT, 1550 RPM, 115 V.	103104007	\$224
	MOTOR, SHADED POLE, 16 WATT, 1550 RPM, 230 V.	103104008	\$224
SL15-9(E) THRU SL55-44(E)	MOTOR MOUNT, 43 WATT	12003600	\$57
SL35-58(E), SL35-70(E), SL45-87(E)	MOTOR MOUNT, 16 WATT	10243000	\$113

NLA - NO LONGER AVAILABLE

SLIM TEMP - MODELS SLA

MODEL NUMBER	DESCRIPTION	PART NUMBER	LIST PRICE
SLA 17-10	DRAIN PAN (VENTURI)	20997400	\$206
SLA 17-13	DRAIN PAN (VENTURI)	20997600	\$227
SLA27-17	DRAIN PAN (VENTURI)	20997800	\$267
SLA27-23	DRAIN PAN (VENTURI)	20996600	\$313
SLA 37-30	DRAIN PAN (VENTURI)	20996800	\$372
SLA 47-40	DRAIN PAN (VENTURI)	20997000	\$410
SLA 57-50	DRAIN PAN (VENTURI)	20997200	\$507
ALL MODELS	FAN BLADES, 6" DIAM., 21° PITCH, CW, PLASTIC	105849001	\$66
ALL MODELS	FAN GUARD, PLASTIC,(CLEAR), 6"	205932000	\$104
ALL MODELS	MOTOR, SKELETON FRAME, SHADED POLE, 43 WATT INPUT, 3000 RPM, 115 V.	102249005	\$191
ALL MODELS	MOTOR, SKELETON FRAME, SHADED POLE, 43 WATT INPUT, 3000 RPM, 230 V.	102249007	\$191
ALL MODELS	MOTOR MOUNT	12003600	\$57

SLIM TEMP - MODELS SLE

ALL "SLE" MODELS	DEFROST CONTROL, DEFROST TERMINATION, (USE 08219273)	103079010	NLA
ALL "SLE" MODELS	DEFROST CONTROL, DEFROST TERMINATION, (TIMER RESET) 2 WIRE	08219273	\$156
ALL "SLE" MODELS	DEFROST CONTROL, FAN DELAY, 2 WIRE	103079009	\$156
SLE 15-9	DEFROST HEATER, 400 WATTS, 10-1/4" LENGTH, 115V.	220150001	\$266
	DEFROST HEATER, 400 WATTS, 10-1/4" LENGTH, 230V.	220150031	\$305
	DRAIN PAN	20997400	\$206
SLE 15-12	DEFROST HEATER, 500 WATTS, 14-1/4" LENGTH, 115V.	220150002	\$267
	DEFROST HEATER, 500 WATTS, 14-1/4" LENGTH, 230V.	220150032	\$309
	DRAIN PAN	20997600	\$227
SLE 25-16	DEFROST HEATER, 700 WATTS, 17-3/4" LENGTH, 115V.	220150003	\$308
	DEFROST HEATER, 700 WATTS, 17-3/4" LENGTH, 230V.	220150033	\$294
	DRAIN PAN	20997800	\$267
SLE 25-21	DEFROST HEATER, 700 WATTS, 17-3/4" LENGTH, 115V.	220150003	\$308
	DEFROST HEATER, 700 WATTS, 17-3/4" LENGTH, 230V.	220150033	\$294
	DRAIN PAN	20998000	\$313
SLE 25-28	DEFROST HEATER, 900 WATTS, 25-1/4" LENGTH, 115V.	220150004	\$339
	DEFROST HEATER, 900 WATTS, 25-1/4" LENGTH, 230V.	220150034	\$405
	DRAIN PAN	20998200	\$383
SLE 35-36	DEFROST HEATER, 1200 WATTS, 32-1/4" LENGTH, 115V.	220150005	\$376
	DEFROST HEATER, 1200 WATTS, 32-1/4" LENGTH, 230V.	220150035	\$440
	DRAIN PAN	20998400	\$427
SLE 45-54	DEFROST HEATER, 1500 WATTS, 42" LENGTH, 115V.	220150006	\$478
	DEFROST HEATER, 1500 WATTS, 42" LENGTH, 230V.	220150036	\$484
	DRAIN PAN	20998600	\$528
SLE 35-70	DEFROST HEATER, 2300 WATTS, 69-1/4" LENGTH, 230V.	220150037	\$543
	DRAIN PAN	20998800	\$583
SLE 15-9 THRU 25-16	FAN BLADES, 6" DIAM., 21° PITCH, CW, PLASTIC	105849001	\$66
	FAN GUARD, PLASTIC,(CLEAR), 6"	205932000	\$104
SLE 25-21 THRU 45-54	FAN BLADES, 8" DIAM., 31° PITCH, CCW	204395010	\$57
	FAN GUARD, PLASTIC,(CLEAR), 8"	206569000	\$106
SLE 35-70	FAN BLADES, 10" DIAM., 31° PITCH, CCW	204395018	\$61
	FAN GUARD, WIRE, EPOXY COATED, 10" (WHITE)	8397053	\$113
SLE 15-9 THRU 25-16	MOTOR, SKELETON FRAME, SHADED POLE, 43 WATT INPUT, 3000 RPM, 115 V.	102249005	\$191
	MOTOR, SKELETON FRAME, SHADED POLE, 43 WATT INPUT, 3000 RPM, 230 V.	102249007	\$191
SLE 25-21 THRU 45-54	MOTOR, SKELETON FRAME, SHADED POLE, 9 WATT, 1550 RPM, 115 V.	103104004	\$189
	MOTOR, SKELETON FRAME, SHADED POLE, 9 WATT, 1550 RPM, 230 V.	103104005	\$189
	MOTOR, ECM , 16W, 1550 RPM, 115V	107933006	792
	MOTOR, ECM , 16W, 1550 RPM, 230V	107933003	821
SLE 35-70	MOTOR, SKELETON FRAME, SHADED POLE, 16 WATT, 1550 RPM, 115 V.	103104007	\$224
	MOTOR, SKELETON FRAME, SHADED POLE, 16 WATT, 1550 RPM, 230 V.	103104008	\$224
SLE 15-9 THRU 25-16	MOTOR MOUNT	12003600	\$57
SLE 25-21 THRU 45-54	MOTOR MOUNT	12003000	\$61
SLE 35-70	MOTOR MOUNT	10243000	\$113

SLIM TEMP - SPECIAL SLB

SLB- ALL MODELS	SERPENTINE HEATER, 1400WATTS, 230V	NLA	-
-----------------	------------------------------------	-----	---

NLA - NO LONGER AVAILABLE

T-TEMP - MODELS TT

MODEL NUMBER	DESCRIPTION	PART NUMBER	LIST PRICE
TT18-8	DRAIN PAN (VENTURI)	20316400	\$206
TT28-13	DRAIN PAN (VENTURI)	20316501	\$227
TT28-17	DRAIN PAN (VENTURI)	20316502	\$267
ALL "TT" MODELS	FAN BLADES, 6" DIAM., 21° PITCH, CW , 1/4" BORE, PLASTIC	105849001	\$66
ALL "TT" MODELS	FAN GUARD, PLASTIC,(CLEAR), 6"	205932000	\$104
ALL "TT" MODELS	MOTOR, SKELETON FRAME, SHADED POLE, 43 WATT INPUT, 3000 RPM, 115 V.	102249005	\$191
ALL "TT" MODELS	MOTOR, SKELETON FRAME, SHADED POLE, 43 WATT INPUT, 3000 RPM, 230 V.	102249007	\$191
ALL "TT" MODELS	MOTOR MOUNT	12003600	\$57

TWIN TEMP - MODELS TW

TW17-9, TW17-12, TW17-18	DRAIN PAN (VENTURI)	20870100	\$182
TW17-25, TW17-35	DRAIN PAN (VENTURI)	20873500	\$182
TW17-45, TW17-55, TW18-65	DRAIN PAN (VENTURI)	20874600	\$351
TW17-75, 18-85, TW17-105, TW18-120	DRAIN PAN (VENTURI)	10574400	\$376
TW17-150,180	DRAIN PAN (VENTURI)	NLA	-
TW17-9	FAN BLADES, 8" DIAM., 20° PITCH, CCW, HUBLESS	204395008	\$57
TW17-12, TW17-18	FAN BLADES, 8" DIAM., 31° PITCH, CCW , HUBLESS	204395010	\$57
TW17-25, TW17-35	FAN BLADES, 10" DIAM., 20° PITCH, CW , HUBLESS	204395015	\$61
TW17-45	FAN BLADES, 12" DIAM., 18° PITCH, CCW , 5/16" BORE	214118000	\$182
TW17-55	FAN BLADES, 12" DIAM., 23° PITCH, CCW , 5/16" BORE	08221169	\$88
TW18-65	FAN BLADES, 12" DIAM., 23° PITCH, CCW , 5/16" BORE	08221169	\$88
TW17-75, TW18-85, TW17-105, TW18-120	FAN BLADES, 16" DIAM., 16° PITCH, CCW , 1/2" BORE	11904	\$247
TW17-150, TW27-300	FAN BLADES, 18" DIAM., 18° PITCH, CCW , 1/2" BORE	NLA	-
TW17-180	FAN BLADES, 18" DIAM., 18° PITCH, CCW , 1/2" BORE	NLA	-
TW27-240	FAN BLADES, 16" DIAM., 23° PITCH, CCW , 1/2" BORE	NLA	-
TW17-9, TW17-12, TW17-18	FAN GUARD, PLASTIC, 8"	206569000	\$106
TW17-25, TW17-35	FAN GUARD, WIRE, EPOXY COATED , 10", (WHITE)	08397053	\$113
TW17-45, TW17-55, TW18-65	FAN GUARD, WIRE, EPOXY COATED , 12"	201006011	\$113
TW17-75, TW18-85, TW17-105, TW18-120, TW27-240	FAN GUARD, WIRE, EPOXY COATED , 16"	201006004	\$153
TW17-150 THRU TW27-300	FAN GUARD, WIRE, EPOXY COATED , 18"	NLA	-
TW17-9, TW17-12	MOTOR, SHADED POLE, 4 WATT,1550 RPM, 115 V. (USE 103104004)	NLA	-
	EVAP MTR, ECM , 16 W, 1550 RPM, 115v	107933006	792
TW17-18, TW17-25, TW17-35	MOTOR, SHADED POLE, 9 WATT, 1550 RPM, 115 V.	103104004	\$189
	MOTOR, SHADED POLE, 9 WATT, 1550 RPM, 230 V.	103104005	\$189
	MOTOR, ECM , 16 WATT, 1550 RPM, 115V	107933006	792
	MOTOR, ECM , 16 WATT, 1550 RPM, 208-230V	107933003	821
TW17-45, TW17-55, TW18-65	MOTOR, SHADED POLE, 1/20 HP, 1550 RPM, 115 V.	08216072	\$243
	MOTOR, SHADED POLE, 1/20 HP, 1550 RPM, 230 V.	08216071	\$243
	MOTOR, ECM , 1/30 HP, 1550 RPM, 115V	08216126	924
	MOTOR, ECM , 1/30 HP, 1550 RPM, 230V	08216127	965
TW17-75, TW18-85, TW17-105, TW18-120, TW27-240	MOTOR, SHADED POLE KIT, 1/12 HP, 1050 RPM, 115 V.	08216119	\$681
	SHADED POLE MOTOR ASSY, 1/12 HP, 115-230V	08522774	\$918
TW17-150, TW17-180, TW27-300	MOTOR, SHADED POLE, 1/6 HP, 1050 RPM, 115/230/1 V.	NLA	-
TW17-9, TW17-12	MOTOR MOUNT (SPECIFY UNIT MODEL AND SERIAL NUMBERS WHEN ORDERING)	NLA	-
TW17-18	MOTOR MOUNT (SPECIFY UNIT MODEL AND SERIAL NUMBERS WHEN ORDERING)	10870202	\$792
TW17-25	MOTOR MOUNT (SPECIFY UNIT MODEL AND SERIAL NUMBERS WHEN ORDERING)	10873801	\$821
TW17-35	MOTOR MOUNT (SPECIFY UNIT MODEL AND SERIAL NUMBERS WHEN ORDERING)	10873802	\$87
TW17-45	MOTOR MOUNT (SPECIFY UNIT MODEL AND SERIAL NUMBERS WHEN ORDERING)	10874700	\$49
TW17-55, TW18-65	MOTOR MOUNT (SPECIFY UNIT MODEL AND SERIAL NUMBERS WHEN ORDERING)	10874800	\$149
TW17-75 THRU TW17-180	MOTOR MOUNT (SPECIFY UNIT MODEL AND SERIAL NUMBERS WHEN ORDERING)	10019700	\$175
TW27-210 THRU TW27-240	MOTOR MOUNT (SPECIFY UNIT MODEL AND SERIAL NUMBERS WHEN ORDERING)	10101200	-
TW27-300	MOTOR MOUNT (SPECIFY UNIT MODEL AND SERIAL NUMBERS WHEN ORDERING)	10575000	-

NLA - NO LONGER AVAILABLE

WALL TEMP - MODELS WA

MODEL NUMBER	DESCRIPTION	PART NUMBER	LIST PRICE
WA17-6	DRAIN PAN (VENTURI)	105633001	\$181
	FAN BLADES, 8" DIAM., 20° PITCH, CCW , HUBLESS	204395008	\$57
	FAN GUARD, PLASTIC, 8"	206569000	\$106
	MOTOR, SHADED POLE, 4 WATT,1550 RPM, 115 V. (USE 103104004)	NLA	-
	MOTOR, ECM , 16 WATT, 1550 RPM, 115V	107933006	792
WA17-9	DRAIN PAN (VENTURI)	105633001	\$181
	FAN BLADES, 8" DIAM., 20° PITCH, CCW , HUBLESS	204395008	\$57
	FAN GUARD, PLASTIC, 8"	206569000	\$106
WA17-12, WA17-18	DRAIN PAN (VENTURI)	105633002	\$181
	FAN BLADES, 8" DIAM., 31° PITCH, CCW , HUBLESS	204395010	\$57
	FAN GUARD, PLASTIC, 8"	206569000	\$106
MOTORS: WA17-9, WA17-12, WA17-18	MOTOR, SHADED POLE, 9 WATT, 1550 RPM, 115 V.	103104004	\$189
	MOTOR, SHADED POLE, 9 WATT, 1550 RPM, 230 V.	103104005	\$189
	MOTOR, ECM , 16 WATT, 1550 RPM, 115V	107933006	792
	MOTOR, ECM , 16 WATT, 1550 RPM, 208-230V	107933003	821
WA17-25, WA17-35	DRAIN PAN (VENTURI)	20192600	\$189
	FAN BLADES, 10" DIAM., 20° PITCH, CCW , 5/16" BORE	204395016	\$61
	FAN GUARD, WIRE, EPOXY COATED, 10", (WHITE)	08397053	\$113
	MOTOR, SHADED POLE, 1/20 HP, 1550 RPM, 115 V.	08216072	\$243
	MOTOR, SHADED POLE, 1/20 HP, 1550 RPM, 230 V.	08216071	\$243
	MOTOR, ECM , 1/30 HP, 1550 RPM, 115V	08216126	924
	MOTOR, ECM , 1/30 HP, 1550 RPM, 230V	08216127	965
WA17-45	DRAIN PAN (VENTURI)	105633004	\$212
	FAN BLADES, 12" DIAM., 23° PITCH, CCW , 1/2" BORE	11860	\$182
	FAN GUARD, WIRE, EPOXY COATED, BLUE, 12"	201006011	\$113
	MOTOR ASSY., 1/12 HP, 115/230 V.	08522774	\$918
	MOTOR, SHADED POLE, 1/12 HP, 1050 RPM, 115/230 V.	08286119	\$683

WEDGE TEMP - MODELS WE

WE17-12	DRAIN PAN (VENTURI)	20193200	\$351
	FAN BLADES, 8" DIAM., 31° PITCH, CCW , HUBLESS	204395010	\$57
	FAN GUARD, PLASTIC, 8"	206569000	\$106
	MOTOR, SHADED POLE, 4 WATT,1550 RPM, 115 V. (USE 103104004)	NLA	-
WE17-15	DRAIN PAN (VENTURI)	20193200	\$351
	FAN BLADES, 8" DIAM., 31° PITCH, CCW , HUBLESS	204395010	\$57
	FAN GUARD, PLASTIC, 8"	206569000	\$106
	MOTOR, SHADED POLE, 9 WATT, 1550 RPM, 115 V.	103104004	\$189
	MOTOR, SHADED POLE, 9 WATT, 1550 RPM, 230 V.	103104005	\$189
WE17-18	DRAIN PAN (VENTURI)	20193000	\$351
	FAN BLADES, 8" DIAM., 31° PITCH, CCW , HUBLESS	204395010	\$57
	FAN GUARD, PLASTIC, 8"	206569000	\$106
	MOTOR, SHADED POLE, 9 WATT, 1550 RPM, 115 V.	103104004	\$189
WE17-25	DRAIN PAN (VENTURI)	105633003	\$399
	FAN BLADES, 10" DIAM., 20° PITCH, CCW, HUBLESS	204395016	\$61
	FAN GUARD, WIRE, EPOXY COATED, 10"	08397053	\$113
	MOTOR, SHADED POLE, 9 WATT, 1550 RPM, 115 V.	103104004	\$189
	MOTOR, SHADED POLE, 9 WATT, 1550 RPM, 230 V.	20192600	\$189
WE17-35	DRAIN PAN (VENTURI)	20192400	\$399
	FAN BLADES, 10" DIAM., 31° PITCH, CCW , HUBLESS	204395018	\$61
	FAN GUARD, WIRE, EPOXY COATED, 10"	08397053	\$113
	MOTOR, SHADED POLE, 16 WATT, 1550 RPM, 115 V.	103104007	\$224
	MOTOR, SHADED POLE, 16 WATT, 1550 RPM, 230 V.	103104008	\$224
EC MOTORS: WE17-12, -15, -18, -25, -35	MOTOR, ECM , 16 WATT, 1550 RPM, 115V	107933006	792
	MOTOR, ECM , 16 WATT, 1550 RPM, 208-230V	107933003	821
WE17-45, WE18-55	DRAIN PAN (VENTURI)	20194000	\$427
	FAN BLADES, 12" DIAM., 23° PITCH, CCW , 5/16" BORE	08221169	\$88
	FAN GUARD, WIRE, EPOXY COATED, 12"	201006011	\$113
	MOTOR, SHADED POLE, 1/20 HP, 1550 RPM, 115 V.	08216072	\$243
	MOTOR, SHADED POLE, 1/20 HP, 1550 RPM, 230 V.	08216071	\$243
	MOTOR, ECM , 1/30 HP, 1550 RPM, 115V	08216126	924
	MOTOR, ECM , 1/30 HP, 1550 RPM, 230v	08216127	965
NOTE: CHECK "CS" FOR STYLE OF 1/20 HP MOTOR FOR WE-17-45, 18-55, AND 28-110			
WE28-110	DRAIN PAN / VENTURI (220061 OR 220061BLK)	NLA	-
	FAN BLADES, 12" DIAM., 19° PITCH, CCW , 5/16" BORE	11860	\$182
	FAN GUARD, WIRE, EPOXY COATED, 12"	201006011	\$113
	MOTOR, SHADED POLE, 1/20 HP, 1550 RPM, 115 V.	102540001	\$243
	MOTOR, SHADED POLE, 1/20 HP, 1550 RPM, 230 V.	102540002	\$264

NLA - NO LONGER AVAILABLE

MULTICON AIR COOLED CONDENSERS - Common Parts

MODEL NUMBER	DESCRIPTION	PART NUMBER	LIST PRICE
COMMON PARTS	Disconnect, thru the door, 30A	08218990	\$649
	Disconnect, thru the door, 60A	08218991	\$774
	Disconnect, thru the door, 80A	08218992	\$1,023
	Disconnect, thru the door, 100A	08218993	\$1,096
	Disconnect, thru the door, 30A, 18" 22" fans	08218379	\$512
	Contactora, 3P, 25-30A, 24V control	08219028	\$111
	Contactora, 3P, 25-30A, 115V control	08219002	\$111
	Contactora, 3P, 25-30A, 208-230V control	08219018	\$120
	Contactora, 3P, 25-30A, 460V control	08219012	\$124
	Contactora, NEMA1,3P,27A,208-230V control	104461733	\$823
	Fan Cycling, Pressure, Standard, R12,R22,R404A,R134A	08219003	\$446
	Fan Cycling, Ambient, Standard, R12,R22,R404A,R134A	08219006	\$198
	Fan Cycling, Pressure, R410A	08219463	\$497
	P66, Single Tap, R22/R404	08219427	\$1,316
	P66, Dual Tap, R22/R404	08219429	\$2,059
	P66, Single Tap, R134A	08219437	\$1,168
	P66, Single Tap,R410A	08219461	\$1,826
	P66,Dual Tap, R410A	08219462	\$2,538
	Shut Off Valve (P66 and Pressure cycling)	08356559	\$207

SMALL AIR COOLED CONDENSERS - MODELS RDS

MODEL NUMBER	DESCRIPTION	PART NUMBER	LIST PRICE	
Models 001 thru 011	MOTOR, .33 HP, 1140RPM, 208-230/3/60/50	08216106	\$595	
	MOTOR, PSC, .33 HP, 1140RPM, 208-230/1/60/50	205051004	\$455	
	5 MFD CAPACITOR FOR MOTOR 205051004	202163004	\$54	
	FAN BLADE, 22" DIA., 28° PITCH, 5/8" bore.	08221154	\$153	
	MOTOR, PSC, .33 HP, 1140 RPM, 208-230/1/60/50 for use with P-66	08216008	\$737	
	15 MFD CAPACITOR FOR MOTOR 08216008	08352607	\$59	
	MOTOR, .33 HP, 1140 RPM, 460/3/60/50	08216107	\$987	
	MOTOR, PSC, .33 HP, 1140 RPM, 460/1/60/50 for use with P-66	08216009	\$757	
	15 MFD CAPACITOR FOR MOTOR 08216009	08352607	\$59	
	MOTOR, .25 HP, 850 RPM, 208-230/460/3/60/50	08216075	\$1,393	
	MOTOR, PSC, .25 HP, 850 RPM, 208-230/1/60/50 (Cap . On motor)	08216076	\$1,180	
	MOTOR, TOTALLY ENCL., 1/2 HP, 1140 RPM, 208-230/460/3/60/50	08352607	\$59	
	MOTOR, PSC, TOT. ENCL., 1/2 HP, 1140 RPM, 208-230/460/1/60/50	08216081	\$1,117	
	MOTOR MOUNT FOR .33 HP MOTORS	08397056	\$237	
	MOTOR MOUNT FOR .25 HP MOTOR 08216075 & 08216046 WITH 22" FAN	08519019	\$237	
	MOTOR MOUNT FOR .25 HP MOTOR 08216075 & 08216046 WITH 18" FAN	08519022	\$237	
	FAN GUARD, 18" DIAM., EPOXY COATED WIRE.	08397011	\$146	
	FAN GUARD, 22" DIAM., EPOXY COATED WIRE.	08397012	\$174	
	MODELS 001 & 002	FAN BLADE, 18" DIAM., 34° PITCH, CW, 5/8" BORE (for 1140 RPM MTRS)	08221022	\$155
	MODELS 003 thru 011	FAN BLADE, 22" DIAM., 28° PITCH, 1/2" BORE (for 1140 RPM MTRS)	08221154	\$153
MODELS 001 & 002	FAN BLADE, 18" DIAM., 34° PITCH, CW, 1/28" BORE (for 850 RPM MTRS)	08221076	\$150	
MODELS 003 thru 009	FAN BLADE, 22" DIAM., 28° PITCH, 5/8" BORE. (for 850 RPM MTRS)	08221023	\$153	

LARGE AIR COOLED CONDENSERS - MODELS RDS/RDD

MODEL NUMBER	DESCRIPTION	PART NUMBER	LIST PRICE
1140 RPM MODELS RDS009 THRU RDD229	MOTOR, 1.5 HP, 1140 RPM, 208-230/460/3/60/50	110204000	\$1,917
	MOTOR, 1.5 HP, 1140 RPM, 575/3/60	118570001	\$2,860
	MOTOR, TOTALLY ENCLOSED, 1.5 HP, 1140 RPM, 208/230/3/60/50	08216154	\$3,212
	FAN BLADE, 30" DIAM., 24° PITCH, 4 BLADE, CW, 5/8 BORE	08221151	\$599
	MOTOR, 1.0 HP, 1140 RPM, 208-230/1/60/50 (USE WITH P-66 CONTROLLER)	08216098	\$2,670
	30 MFD CAPACITOR FOR MOTOR 008216098 (USE WITH P-66 CONT)	08352555	\$86
	FAN BLADE, 30" DIAM., 21° PITCH, 3 BLADE, CW, 5/8 BORE (USE WITH P-66)	08221180	\$495
	MOUNT FOR 1140 RPM MOTORS ABOVE	08522568	\$529
FAN GUARD, 30" DIAM., EPOXY COATED WIRE.	08221151	\$599	
850 RPM MODELS RDS009 THRU RDD213	MOTOR, 1.5 HP, 850 RPM, 208-230/460/3/60/50	08216100	\$2,670
	FAN BLADE, 30" DIAM., 31° PITCH, 5 BLADE, CW, 5/8 BORE (use with 08216100)	08221152	\$332
	MOTOR, 1.0 HP, 850 RPM, 208-230/460/3/60/50	114105000	\$2,670
	MOTOR, 1.0 HP, 850 RPM, 575/3/60	114105002	\$3,261
	MOTOR, 1.0 HP, 850 RPM, 380/3/60	114105001	\$2,805
	FAN BLADE, 30" DIAM., 28° PITCH, 4 BLADE, CW, 5/8 BORE (for 1 HP's above)	08221151	\$599
	MOUNT FOR 850 RPM MOTORS ABOVE	08522568	\$529
FAN GUARD, 30" DIAM., EPOXY COATED WIRE.	08397044	\$246	
550 RPM MODELS RDS008 THRU RDD158	MOTOR, 1/3 HP, 550 RPM, 208-230/460/3/60/50	119226000	\$1,479
	METAL FAN BLADE, 30" DIAM., 31° PITCH, 5 BLADE, CW, 5/8 BORE	08221152	\$332
	SWEPT WING FAN, 30" DIAM., 25° PITCH, CW, 1/2 BORE	08221181	\$599
	FAN BLADE, 30" FB II	121424000	\$841
	MOUNT FOR 550 RPM MOTORS ABOVE	08522568	\$529
	FAN GUARD, 30" DIAM., EPOXY COATED WIRE. (Not for FB II)	08397044	\$246
	FAN GUARD, 30" DIAM. FOR FB II FANS	119397000	\$160
SHEET METAL STACK FOR FB II FANS	08518318	\$246	
VSEC MODELS RDS011 THRU 250	ELECTRONICALLY COMMUTATED MOTOR & FAN ASSEMBLY, 460/3/60	08216161	\$9,834
	ELECTRONICALLY COMMUTATED MOTOR & FAN ASSEMBLY, 208-230/3/60	C/F	C/F

MULTICON AIR COOLED CONDENSERS - MODELS VAC, VEQ (1 - 4)

MODEL NUMBER	DESCRIPTION	PART NUMBER	LIST PRICE
VAC 1 - 2 & VEQ 1 - 2	FAN BLADES, 16" DIAM., 34° PITCH, CW, 5/8" BORE	08221022	\$155
VAC 4 & VEQ 3	FAN BLADES, 22" DIAM., 28° PITCH, CW, 5/8" BORE	08221023	\$153
VAC 1 - 2 & VEQ 1 - 2	FAN GUARD, WIRE, EPOXY COATED, 16"	08397006	\$117
VAC 4 & VEQ 3	FAN GUARD, WIRE, EPOXY COATED, 22"	08397012	\$174
VAC 1 - 4	MOTOR, SHADED POLE, 1/2 HP, 1140 RPM, 208-230/460/1	08216006	\$896
VAC 1 - 4	MOTOR, SHADED POLE, 1/2 HP, 1140 RPM, 208-230/460/3	08216007	\$1,571
VEQ 1 & 3	MOTOR, SHADED POLE, 1/4 HP, 825 RPM, 208-230/460/1	08216076	\$1,180
VEQ 2 & 3	MOTOR, SHADED POLE, 1/4 HP, 825 RPM, 208-230/460/3	08216075	\$1,393

MULTICON AIR COOLED CONDENSERS AND FLUID COOLERS - MODELS VAC, VEQ, FVAC

VAC, AND FVAC 5 THRU 19	FAN BLADES, 24" DIAM., 30° PITCH, CW, 1/2" BORE (Replaces Part Number 213455000)	08221050	\$376
	FAN GUARD, WIRE, EPOXY COATED, 24"	202136001	\$552
	MOTOR, PSC, 3/4 HP, 1075RPM, 208-230/60/1	205051009	\$1,197
	MOTOR, PSC, 3/4 HP, 1075RPM, 460/1/60	205051002	\$1,318
	MOTOR, 3/4 HP, 1140 RPM, 230/460/3/60	205051012	\$1,965
	MOTOR, PSC, 1/2 HP, 1075RPM, 575/1/60	115952000	\$1,080
	MOTOR MOUNT, 24"	205269000	\$266
	CAPACITOR, 7.5 MFD, 208/1/60 MOTORS ONLY	202163006	\$59
VAC AND FVAC 22 THRU 216	CAPACITOR, 5 MFD, 230/460/1/60 MOTORS ONLY (Replaces Part Number 202163007)	202163004	\$54
	FAN BLADES, 30" DIAM., 24° PITCH, CW, 5/8" BORE (Replaces Part Number 210385000)	08221151	\$599
	FAN GUARD, WIRE, EPOXY COATED, 30"	202136011	\$217
	MOTOR, 1-1/2 HP, 1140 RPM, 208-230/460/3/60	110204000	\$1,917
	MOTOR, 1-1/2 HP, 1140 RPM, 575/3/60	118570001	\$2,860
VEQ 21 thru VEQ 189	MOTOR MOUNT, 30"	125215001	\$529
	FAN BLADES, 30" DIAM., 24° PITCH, CW, 5/8" BORE (Replaces Part Number 210385000)	08221151	\$599
	FAN GUARD, WIRE, EPOXY COATED, BLACK, 30"	202136011	\$217
	MOTOR, 1 HP, 850 RPM, 208-230/460/3/60	114105000	\$2,670
	MOTOR MOUNT, 30"	125215001	\$529

AIR COOLED CONDENSERS, ACE

ALL MODELS	MOTOR, 1/3 HP, 550 RPM, 208-230/460/3/60/50	119226000	\$1,479
	METAL FAN BLADE, 30" DIAM., 31° PITCH, 5 BLADE, CW, 5/8 BORE	08221152	\$332
	SWEPT WING FAN, 30" DIAM., 25° PITCH, CW, 1/2 BORE	08221181	\$599
	FAN BLADE, 30" FB II	121424000	\$841
	MOUNT FOR 550 RPM MOTORS ABOVE	08522568	\$529
	FAN GUARD, 30" DIAM., EPOXY COATED WIRE. (Not for FB II)	08397044	\$246
	FAN GUARD, 30" DIAM. FOR FB II FANS	119397000	\$160
	SHEET METAL STACK FOR FB II FANS	08518318	\$246

MULTICON AIR COOLED CONDENSERS AND FLUID COOLERS - MODELS RAC, FRAC

RAC, & FRAC 3/4 TO 1	FAN BLADES, 16" DIAM., 27° PITCH, CW, 1/2" BORE	11905	\$227
RAC & FRAC 1-1/2 THRU 3	FAN BLADES, 20" DIAM., 27° PITCH, CW, 1/2" BORE	214040000	\$331
RAC & FRAC 3/4 TO 1	FAN GUARD, WIRE, EPOXY COATED, 16"	201006004	\$153
RAC & FRAC 1-1/2 TO 3	FAN GUARD, WIRE, EPOXY COATED, 20"	201006007	\$270
ALL MODELS	MOTOR, SHADED POLE, 1/6 HP, 1050 RPM, 115/208-230/1	08216025	NLA

MULTICON AIR COOLED CONDENSERS AND FLUID COOLERS - MODELS TD, FTD

ALL MODELS	CAPACITOR, ALL MOTORS, 5 MFD, 208-230/460/1/60	202163004	\$54
ALL MODELS	FAN BLADES, 24" DIAM., 30° PITCH, CW, 1/2" BORE (Replaces Part Number 213455000)	08221050	\$376
ALL MODELS	FAN GUARD, WIRE, EPOXY COATED, 24"	202136001	\$552
ALL MODELS	MOTOR, PSC, 3/4 HP, 1075RPM, 208-230/1/60	205051009	\$1,197
ALL MODELS	MOTOR, PSC, 3/4 HP, 1075RPM, 460/1/60	205051002	\$1,318
ALL MODELS	MOTOR MOUNT, 24"	205269000	\$266

SMALL AIR COOLED CONDENSERS - MODELS ACS, ACL

ALL MODELS	FAN BLADES, 22" DIAM., 29° PITCH, CW, 1/2" BORE	08221154	\$153
	FAN CYCLING CONTROL, PRESSURE	08219003	\$446
	FAN CYCLING CONTROL, AMBIENT	08219006	\$198
	P-66 FAN SPEED CONTROL, SINGLE PORT	08219427	\$1,316
	P-66 FAN SPEED CONTROL, DUAL PORT	08219429	\$2,059
	P-66 FAN SPEED CONTROL	08219437	\$1,168
	CONTACTOR, 24 VOLT COIL, 3 POLE	08219028	\$111
	CONTACTOR, 115 VOLT COIL, 3 POLE	08219002	\$111
	CONTACTOR, 208-230 VOLT COIL, 3 POLE	08219018	\$120
	CONTACTOR, 460 VOLT COIL, 3 POLE	08219012	\$124
	TRANSFORMER, 208-230 TO 24V	08218258	\$79
	TRANSFORMER, 480 TO 24V	08218259	\$82
	MOTOR MOUNT, 22"	08397056	\$237
	ACS 001 THRU 012	MOTOR, PSC, 1/3 HP, 208-230/1, 1075 RPM, CW†‡	08216089
MOTOR, PSC, 1/3 HP, 208-230/3, 1075 RPM, CW†‡		08216106	\$595
MOTOR, PSC, 1/3 HP, 460/1, 1075 RPM, CW†‡		08216088	\$686
MOTOR, PSC, 1/3 HP, 460/3, 1075 RPM, CW†‡		08216107	\$987
MOTOR, PSC, 1/2 HP, 230-460/3, 1075 RPM, CW†‡		08216068	\$1,336
MOTOR, PSC, 1/2 HP, 575/1, 1075 RPM, CW†‡		08216036	\$1,054
CAPACITOR(LOOSE) 208-230 OR 460 MOTORS, 7.5 MFD		08216057	\$35
ACS 001 THRU 012	MOTOR, PSC, 1/2 HP, 208-230/460/1, 1075 RPM†	08216006	\$896
	MOTOR, REV, 1/2 HP, 208-230/460/3, 1125 RPM, 5/8 SHAFT†	08216007	\$1,571
ACL 001 THRU 011	MOTOR, REV, 1/4 HP, 208-230/460/3, 825 RPM, 5/8 SHAFT†	08216075	\$1,393
	MOTOR, PSC, 1/4 HP, 208-230/460/1, 825 RPM, 5/8 SHAFT†	08216076	\$1,180
ACS, ACL 001 THRU 002	FAN GUARD, WIRE, EPOXY COATED, 18"	08397011	\$146
	MOTOR RAIL 25" (18" FAN)	08519022	\$237
ACS, ACL 003 THRU 012	FAN GUARD, WIRE, EPOXY COATED, 22"	08397012	\$174
	MOTOR RAIL 30" (22" FAN)	08519019	\$237

† FOR USE WITH P-66 FAN SPEED CONTROL MOTOR ONLY

‡ CAPACITOR REQUIRED

MULTICON COMPUTER ROOM AIR COOLED CONDENSER - MODELS CAC

MODEL NUMBER	DESCRIPTION	PART NUMBER	LIST PRICE
CAC 5 THRU CAC 80	FAN BLADES, 24" DIAM., 30° PITCH, CW, 1/2" BORE (Replaces Part Number 213455000)	08221050	\$376
	FAN GUARD, WIRE, EPOXY COATED, 24", BLACK	202136005	\$552
	MOTOR, (HEADER END VARI-SPEED), PSC, 3/4 HP, 1075RPM, 208-230/60/1	205051015	\$1,463
	CAPACITOR, 15 MFD, (FOR 208/230/1/60 VARI-SPEED MOTOR)	08352607	\$59
	MOTOR, (NON-HEADER END), PSC, 3/4 HP, 1075 RPM, 208-230/60/1	205051009	\$1,197
	CAPACITOR, 5 MFD, 230/460/1/60 NON VARI-SPEED MOTORS ONLY	202163004	\$54
	MOTOR, (HEADER END VARI-SPEED), PSC, 3/4 HP, 1075 RPM, 460/60/1 (CAP not included)	205051016	\$1,584
	CAPACITOR, 15 MFD, (FOR 460/1/60 VARI-SPEED MOTOR)	08352607	\$59
	MOTOR, (NON-HEADER END), PSC, 3/4 HP, 1075 RPM, 460/60/1 (CAP not included)	205051002	\$1,318
	CAPACITOR, 5 MFD, 230/460/1/60 NON VARI-SPEED MOTORS ONLY	202163004	\$54
MOTOR MOUNT, 24", ALL CAC MODELS	205269000	\$266	
CBC 27 THRU CBC 164	FAN, (HEADER END ONLY) 24" DIAM., 30° PITCH, CW, 1/2" BORE (Replaces 213455000)	08221050	\$376
	FAN, (NON-HEADER END) 30" DIAM., 24° PITCH, CW, 5/8 " BORE (Replaces 210385000)	08221151	\$599
	FAN GUARD, WIRE, EPOXY COATED, 24", BLACK	202136005	\$552
	FAN GUARD, WIRE, EPOXY COATED, 30", BLACK	202136011	\$217
	MOTOR, (HEADER END VARI-SPEED), PSC, 3/4 HP, 1075 RPM, 208-230/60/1	205051015	\$1,463
	MOTOR, (NON-HEADER END), 1-1/2 HP, 1075 RPM, 208-230/460/60/3	110204000	\$1,917
	MOTOR, (HEADER END VARI-SPEED), PSC, 3/4 HP, 1075 RPM, 460/60/1	205051016	\$1,584
	MOTOR MOUNT, (HEADER END), 24"	205269000	\$266
	MOTOR MOUNT, (NON-HEADER END), 30"	125215001	\$529
ALL CAC/CBC MODELS	MOTOR SPEED CONTROLLER, SINGLE INPUT, 208-230/460/1/60 (P66AAB-6)	204464043	\$1,568
ALL CAC/CBC MODELS	MOTOR SPEED CONTROLLER, DUAL INPUT, 208-230/460/1/60 (P66BAB-3)	204464044	\$1,643
ALL MODELS	TRANSFORMER, CONTROL VOLTAGE, PRIMARY 230 V, SECONDARY 24 V	104532008	\$462
	TRANSFORMER, CONTROL VOLTAGE, PRIMARY 460 V, SECONDARY 24 V	104532021	\$462

NEXT-GEN R-SERIES MINICON - RFH, RFO, RBH, RBO, RVH, RVO

Next Gen "R" SERIES Minicon - after 11-2015 - ALL MODELS	FIXED LOW CUT OUT CONTROL - HIGH/MED TEMP MODELS	204464232	\$366
	HIGH CUT OUT CONTROL AUTO RESET - ALL MODELS	08219424	\$112
	ADJUSTABLE LOW CUT OUT CONTROL - STANDARD ON LOW TEMP MODELS	08219422	\$366
Next Gen "R" SERIES Minicon - after 11-2015 1/2 THRU 3-1/2 HP MODELS WITH 12" FANS	FAN BLADE, 12" DIAM., 24° PITCH, CCW FOR UNITS WITH PSC MOTORS	08221169	\$88
	FAN BLADE, 12" DIAM., 24° PITCH, CCW FOR UNITS WITH EC MOTORS	08221176	\$87
	MOTOR MOUNT FOR PSC MOTORS WITH 12" FANS	21062000	\$156
	MOTOR MOUNT FOR EC MOTORS WITH 12" FANS	08397068	\$214
	MOTOR, PSC, 1/20 HP, 1550 RPM, 230 V., (CAPACITOR IS PRE-MOUNTED)	08216073	\$379
	MOTOR, PSC, 1/20 HP, 1550 RPM, 460 V., (CAPACITOR IS PRE-MOUNTED)	08216135	\$495
	MOTOR, EC, 50W, 1550 RPM, 230 V	08216125	765
	GRILLE, WIRE, BLACK, 16.88" X 15.75"	08397064	\$336
	GRILLE, WIRE, BLACK, 16.88" X 27.75"	08397065	\$376
	GRILLE, WIRE, BLACK, 19.38" X 27.75"	08397066	\$376
	DISCHARGE T-STAT FOR 3/8" DISCHARGE LINE	08352253	\$300
	DISCHARGE T-STAT FOR 1/2" DISCHARGE LINE	118431442	\$242
	FAN BLADE, 24" DIAM., 28° PITCH, CCW FOR PSC AND EC MOTORS	213266000	\$376
	MOTOR MOUNT - WIRE, 24" FOR PSC AND EC MOTORS	212837000	\$256
	MOTOR, PSC, 1/3 HP, 1075 RPM, 208-230/1	205051004	\$455
	Next Gen "R" SERIES Minicon - after 11-2015 3 THRU 6 HP MODELS WITH A 24" FAN	MOTOR, PSC, 3/4 HP, 1075 RPM, 460/1	205051002
MOTOR, EC, 3/4 HP, 1075RPM, 208-230/1		08216132	1463
CAPACITOR, 5 MFD, 230/460/1/60 PSC MOTORS ONLY		202163004	\$54
GRILLE, WIRE, BLACK, 33.14" X 30.13"		08397067	\$433
DISCHARGE T-STAT FOR 5/8" DISCHARGE LINE		08352256	\$300

**MINICON AIR COOLED CONDENSING UNITS (1/2 - 6 HP)
MODELS M*H, M*S, M*O, M*D, R*H, R*S, R*O, R*D**

MODEL NUMBER	DESCRIPTION	PART NUMBER	LIST PRICE
1/2 THRU 2 HP MODELS BUILT BEFORE 10 / 2002	FAN BLADE, 12" DIAM., 24° PITCH, CW (Replaces 107943000)	08221153	\$91
	FAN GUARD, WIRE, EPOXY COATED, WHITE., 12" (INDOOR MODELS ONLY) †	08397040	\$132
	FAN GUARD, WIRE, EPOXY COATED, BLACK, 12" (INDOOR MODELS ONLY) †	201006011	\$113
	MOTOR, SHADED POLE, 1/20 HP, 1550 RPM, 230/1 (Replaces 10254004)	08216071	\$243
	MOTOR, SHADED POLE, 1/20 HP, 1550 RPM, 230/1	08216071	\$243
	OUTDOOR HOUSING	OH-MC1	\$945
	MOTOR MOUNT (OUTDOOR MODELS)	21062000	\$156
	MOTOR MOUNT (OUTDOOR MODELS) - S100M / H201M MODELS BEFORE 6/01	21279300	\$156
"R" SERIES 1/2 THRU 3 HP MODELS BUILT 10 / 2002 AND AFTER AND 2 - 3 HP SCROLLS BUILT AFTER 4 / 2003	FAN BLADE, 12" DIAM., 24° PITCH, CCW	119103001	\$91
	FAN GUARD, WIRE, EPOXY COATED, 12" (INDOOR MODELS ONLY)	123334000	\$205
	GRILLE, WIRE, EPOXY COATED, 15" (OUTDOOR MODELS ONLY)	123064000	\$86
	FIXED LOW CUT OUT CONTROL - HIGH/MED TEMP MODELS (EXCEPT "CR" COMP'S)	204464232	\$366
	HIGH CUT OUT CONTROL - ALL MODELS	204464208	\$284
	MOTOR MOUNT (OUTDOOR MODELS)	21062000	\$156
	MOTOR, SHADED POLE, 1/20 HP, 1550 RPM, 230/1	108178002	\$379
	MOTOR, SHADED POLE, 1/20 HP, 1550 RPM, 460/1	102540005	\$361
	MOTOR, PSC, 1/20 HP, 1550 RPM, 230 V., (2 MFD CAPACITOR NOT INCLUDED)	108178002	\$379
	CAPACITOR, 2 MFD, FOR 1/20 230 V. PSC MOTOR	202163009	\$59
MOTOR, ECM, 1/8 HP, 1075 RPM, CCW, 230V	08216129	\$1,141	
2-1/2 THRU 3 HP MODELS BUILT AFTER 4 / 2003	FAN BLADE, 20" DIAM., 18° PITCH, CW	214040000	\$331
	FAN GUARD, WIRE, EPOXY COATED, BLACK, 20" (INDOOR MODELS ONLY)	213484000	\$270
	MOTOR, SHADED POLE, 1/6 HP, 1050 RPM, 230/1 (UNITS BUILT BEFORE MAR. 31, 2001)	08216025	NLA
	MOTOR, PSC, 1/3 HP, 1075 RPM, 208-230/1 (UNITS BUILT AFTER MAR. 31, 2001)	205051004	\$455
	MOTOR, ECM, 1/3 HP, 1075 RPM, CCW, 230V	08216131	1326
ALL 4 THRU 6 HP MODELS AND 2 - 3 HP SCROLLS BUILT BEFORE 4 / 2003	FAN BLADE, 20" DIAM., 29° PITCH, CW ‡	213156000	\$331
	FAN BLADE, 24" DIAM., 28° PITCH, CCW (R-SERIES ONLY)	213266000	\$376
	FAN GUARD, WIRE, EPOXY COATED, BLACK, 20" (INDOOR MODELS ONLY)	213484000	\$270
	GRILLE, WIRE, EPOXY COATED, 30"	124027000	\$376
	MOTOR, PSC, 1/3 HP, 1075 RPM, 208-230/1	205051004	\$455
	MOTOR, PSC, 3/4 HP, 1075 RPM, 460/1	205051002	\$1,318
	MOTOR, ECM, 1/3 HP, 1075 RPM, CCW, 230V	08216131	1326
	CAPACITOR, 5MFD, 230/1 V. PSC MOTORS ONLY	202163004	\$54
	MOTOR MOUNT - WIRE, 24"	212837000	\$256
	MOTOR MOUNT - WIRE, 20" ‡	210225000	\$266
ALL MODELS 1/2 THRU 6 HP	ADJUSTABLE LOW CUT OUT CONTROL ‡ (STD ON "CR" COMP'S) (Replaces 204464021)	08219422	\$366
	HIGH CUT OUT CONTROL - ALL MODELS	204464208	\$284
	HIGH CUT OUT CONTROL ‡	204464049	\$284
	DISCHARGE T-STAT KIT (KLIXON STYLE)	118431442	\$242
	RELAY - DELAY, 90 sec, D.O.B., 230 V	104799010	\$145
	SEQUENCING RELAY - R2, DPDT, 30 AMP, 208/240 V, "ICE CUBE RELAY"	104799020	\$274

NOTES: CONTACT FACTORY FOR SIERRA AND HIGH SIERRA PARTS

† - NOT AVAILABLE FOR "P" REVISION MODELS

‡ - EXCLUDES "R" SERIES UNITS. SEE "R" SERIES FOR REPLACEMENT

**NEXT-GEN II AIR COOLED CONDENSING UNITS (3 THRU 22 HP) - MODELS RFD, RFO, RFB, RBD,
RBO, RBB**

ALL MODELS	MOTOR, 3/4 HP, 1140 RPM, 48 FR, 230/3/60	08216205	\$1,634
ALL MODELS	MOTOR, 3/4 HP, 1140 RPM, 48FR, 460/3/60	08216206	\$1,389
ALL MODELS	MOTOR, 1/2 HP, 1075 RPM, 575/1/60	115952000	\$1,080
ALL MODELS	CAPACITOR, 7.5 MFD, 440V	202163006	\$59
ALL MODELS	FAN BLADE, 24" DIAM., 28° PITCH, CCW, 1/2" HUB	213266000	\$376
ALL MODELS	MOUNT, MOTOR, WIRE, 24", 3-LEG	212837000	\$256
ALL MODELS	PRESSURE CONTROL, DUAL HI/LO, FLARE	204464054	\$809

"D" STYLE AIR COOLED CONDENSING UNITS (3 THRU 22 HP) - MODELS DC, DE, DL, DS

MODEL NUMBER	DESCRIPTION	PART NUMBER	LIST PRICE
3L22, 3L52, 3L44, 3L57, 4L22, 4L44, 4L57, 5L22, 5L52, 5L44, 5L57, 6M44, 6L22, 6L52, 6L44, 6L57, 7H22, 7M52, 7M44, 7M57, 8H22, 8M52, 8M44, 8M57, 8L22, 8L44, 8L57, 9L22, 9L52, 9L44, 9L57, 10L22, 10L52, 10L44, 10L57, 12L22, 12L52, 12L44, 12L57	MOTOR, PSC, 1/3 HP, 1075 RPM, 208-230/1 V. (CAPACITOR NOT INCLUDED)	205051004	\$455
	MOTOR, PSC, 3/4 HP, 1075 RPM, 460/1 V. (CAPACITOR NOT INCLUDED)	205051002	\$1,318
	CAPACITOR, 7.5 MFD, 230/1 V. PSC MOTORS ONLY	202163006	\$59
	MOTOR, ECM , 1/3 HP, 1075 RPM, CCW, 230V/1	08216131	\$1,326
5H22, 5M22, 5M44, 5M57, 10H22, 10M52, 10M44, 10M57, 12H22, 12M44, 15H22, 15M52, 15L52, 15L22, 15L44, 15L57, 22L22, 22L52, 22L44, 22L57	MOTOR, PSC, 3/4 HP, 1075 RPM, 208-230/1 V. (CAPACITOR NOT INCLUDED)	205051009	\$1,197
	MOTOR, PSC, 3/4 HP, 1075 RPM, 460/1 V. (CAPACITOR NOT INCLUDED)	205051002	\$1,318
	MOTOR, PSC, 1/2 HP, 1075RPM, 575/1/60	115952000	\$1,080
	CAPACITOR, 5MFD, 230/1 V. PSC MOTORS ONLY	202163004	\$54
	MOTOR, ECM , 3/4 HP, 1075 RPM, CCW, 230V/1	08216132	\$1,463
ALL MODELS	CAPACITOR, 5MFD, 460/1 V. PSC MOTORS ONLY	202163004	\$54
VOLTAGE CODES C,D,E,F,G,M,N,Q	FAN BLADE, 24" DIAM., 28° PITCH, CCW, 1/2" HUB	213266000	\$376
VOLTAGE CODES C,D,E,F,G,M,N,Q	MOTOR MOUNT / FAN GUARD, 24", COMBINATION	204340000	\$298
VOLTAGE CODES H, J	MOTOR MOUNT, WIRE, 24", 3-LEG	212837000	\$256
ALL MODELS	CONTROL, DUAL HI/LO, CAP	204464041	\$685
ALL MODELS	OIL FAILURE CONTROL	204464009	NLA

"V" STYLE AIR COOLED CONDENSING UNITS (20 THRU 80 HP) - MODELS VC, VL, VS

ALL MODELS	FAN BLADES, 30" DIAM., 24° PITCH, CW, 5/8" BORE (Part replaced with 8221151)	210385000	NLA
ALL MODELS	FAN BLADES, 30" DIAM., 24° PITCH, 4 BLADE, CW, 5/8" BORE	08221151	\$599
ALL MODELS	FAN GUARD, WIRE, EPOXY COATED, 30" (Part replaced with 20136011)	202136006	NLA
ALL MODELS	FAN GUARD, WIRE, EPOXY COATED, 30"	202136011	\$217
ALL MODELS	MOTOR, 1-1/2 HP, 1140RPM, 208-230/460/60/3	110204000	\$1,917
ALL MODELS	MOTOR, 1-1/2 HP, 1140RPM, 575/3	118570001	\$2,860
ALL MODELS	KIT, MOTOR MOUNT, 30", KNCKDOWN, VAC	125215001	\$529

RUSSETTE AIR COOLED CONDENSING UNITS (1/2 THRU 3 HP) - MODELS RC, RE, RS

ALL MODELS	FAN BLADES, 20" DIAM., 27° PITCH, CW, 1/2" BORE	214040000	331
ALL MODELS	FAN GUARD, WIRE, EPOXY COATED, BLACK, 20"	213484000	270
ALL MODELS	FAN GUARD, WIRE, EPOXY COATED, BLUE, 20"	201006007	270
ALL MODELS	MOTOR, SHADED POLE, 1/6 HP, 1050 RPM, 115V/230/1	08216025	-

RUSSCON AIR COOLED CONDENSING UNITS (5 THRU 30 HP) - MODELS H, L, M, HE, LE, ME

ALL MODELS	FAN BLADE, 24" DIAM., 28° PITCH, CCW ROTATION, 1/2" HUB	213266000	\$376
H31, M31, L35, M51, L55, H51, M61, L65, M81, L85, H81, H82, H101, M101, L105, L155, M61, L65	MOTOR, PSC, 1/3 HP, 1075 RPM, 208-230/1 V. (CAPACITOR NOT INCLUDED)	205051004	\$455
	MOTOR, PSC, 3/4 HP, 1075 RPM, 460/1 V. (CAPACITOR NOT INCLUDED)	205051002	\$1,318
	CAPACITOR, 5MFD, 230/1 V. PSC MOTORS ONLY	202163004	\$54
H102, H151, H152, L205, L255, H202, I305	MOTOR, PSC, 3/4 HP, 1075 RPM, 208-230/1 V. (CAPACITOR NOT INCLUDED)	205051009	\$1,197
	MOTOR, PSC, 3/4 HP, 1075 RPM, 460/1 V. (CAPACITOR NOT INCLUDED)	205051002	\$1,318
	CAPACITOR, 7.5 MFD, 230/1 V. PSC MOTORS ONLY	202163006	\$59
ALL MODELS	MOTOR MOUNT / FAN GUARD, 24", COMBINATION (Part replaced with 212837000)	204340000	\$298
ALL MODELS	MOTOR MOUNT, WIRE, 24"	212837000	\$256

MISCELLANEOUS SPARE PARTS

DESCRIPTION	PART NUMBER	LIST PRICE
THERMOSTAT, AMBIENT FAN CYCLE	204464002	529
FAN BLADE, 11", 32° PITCH, CW ROTATION	NLA	-
3/4" BRASS DRAIN FITTING	NLA	-
SLINGER SHIELD - 1/2" SHAFT	102548002	NLA
SLINGER SHIELD - 5/8" SHAFT	102548001	NLA
CONTACTOR, 25 AMP, 3 POLE, 208-230/460	104461097	NLA
CONTACTOR, 30 AMP, 3 POLE, 208-230/460 (Part replaced with 08219963)	104461098	NLA
CONTACTOR, 32 AMP, 3 POLE, 208-230/460	08219963	123
CONTACTOR, 40 AMP, 3 POLE, 208-230/460 (Part replaced with 08219965)	104461099	NLA
CONTACTOR, 40 AMP, 3 POLE, 208-230/460	08219965	153
CONTACTOR, 50 AMP, 3 POLE, 208-230/460 (Part replaced with 08219967)	104461111	NLA
CONTACTOR, 50 AMP, 3 POLE, 208-230/460	08219967	360
CONTACTOR, 75 AMP, 3 POLE, 208-230/460 (Part replaced with 08220037)	104461115	NLA
CONTACTOR, 75 AMP, 3 POLE, 208-230/460	8220037	902

NLA - NO LONGER AVAILABLE

HIGH SIERRA REPLACEMENT PARTS - LISTING BY PRODUCT MODEL NUMBER

LOW TEMP. MODELS*

HIGH SIERRA W/R-SERIES CONDENSING UNIT - MODELS RHH, RHS, RHD, RHO

COMP. TYPE	MODEL NUMBER	DESCRIPTION	PART NUMBER	LIST PRICE
HERMETIC	ALL RHH LOW TEMP. MODELS†	VALVE, REVERSING, 1/2 X 7/8 X 7/8	21012	\$722
		STRAINER, CONE, 1/2, 100M	123277001	\$32
		MOTOR, SHADED POLE, 1/20 HP, 1550 RPM, 230/1 (USE 08216071)	102540004	NLA
		MOTOR, SHADED POLE, 1/20 HP, 1550 RPM, 230/1	08216071	\$243
		FAN BLADE, 12" DIAM., 24° PITCH, CCW	119103001	\$91
		LOW CUT OUT CONTROL	204464232	\$366
		HIGH CUT OUT CONTROL	204464208	\$284
		THERMOSTAT, AMBIENT FAN CYCLE	204464002	\$529
	RHH100L44	VALVE, TXV, 3/8 X 1/2 ODF, SWEAT	SBFSE-AA-Z	\$522
		FILTER, LIQUID, BI-FLO, 3/8SW	104471048	\$117
	RHH165L44	VALVE, TXV, 3/8 X 1/2 ODF, SWEAT	SBFSE-A-Z	\$522
	RHH215L44	VALVE, TXV, 3/8 X 1/2 SWEAT	SBFSE-B-Z	\$522
	RHH165L44, RHH215L44	FILTER, LIQUID, BI-FLO, 3/8SW	104471049	\$195
	RHH315L44	VALVE, TXV, 3/8 x 1/2 FL	SBFSE-C-Z	\$667
	FILTER, LIQUID, BI-FLO, 1/2 SW, VEN. PART # BFK 164S	104471046	\$198	
SEMI-HERMETIC	ALL RHS LOW TEMP. MODELS†	VALVE, REVERSING, 1/2 X 7/8 X 7/8	21012	\$722
		STRAINER, CONE, 1/2, 100M	123277001	\$32
		MOTOR, SHADED POLE, 1/20 HP, 1550 RPM, 230/1 (USE 08216071)	102540004	NLA
		MOTOR, SHADED POLE, 1/20 HP, 1550 RPM, 230/1	08216071	\$243
		FAN BLADE, 12" DIAM., 24° PITCH, CCW	119103001	\$91
		LOW CUT OUT CONTROL	204464232	\$366
		HIGH CUT OUT CONTROL	204464208	\$284
		THERMOSTAT, AMBIENT FAN CYCLE	204464002	\$529
	RHS075L44	VALVE, TXV, 3/8 X 1/2 ODF, SWEAT	SBFSE-AA-Z	\$522
	RHS075L44, RHS100L44	FILTER, LIQUID, BI-FLO, 3/8SW	104471048	\$117
	RHS100L44, RHS150L44	VALVE, TXV, 3/8 X 1/2 ODF, SWEAT	SBFSE-A-Z	\$522
	RHS150L44, RHS200L44	FILTER, LIQUID, BI-FLO, 3/8SW	104471049	\$195
	RHS200L44, RHS250L44	VALVE, TXV, 3/8 X 1/2 SWEAT	SBFSE-B-Z	\$522
	RHS250L44, RHS300L44	FILTER, LIQUID, BI-FLO, 1/2 SW, VEN. PART # BFK 164S	104471046	\$198
RHS300L44	VALVE, TXV, 3/8 x 1/2 FL	SBFSE-C-Z	\$667	
DISCUS	ALL RHD LOW TEMP. MODELS†	VALVE, REVERSING, 5/8 X 1-1/8	16506	\$866
		STRAINER, CONE, 5/8, 40M	123277002	\$32
		FAN GUARD, WIRE, EPOXY COATED, 20" (INDOOR MODELS ONLY)	201006007	\$270
		FAN BLADE, 24" DIAM., 28° PITCH, CCW (R-SERIES ONLY)	213266000	\$376
		LOW CUT OUT CONTROL	204464232	\$366
		HIGH CUT OUT CONTROL	204464208	\$284
		THERMOSTAT, AMBIENT FAN CYCLE	204464002	\$529
	RHD300L44	VALVE, TXV, 3/8 x 1/2 FL	SBFSE-C-Z	\$667
		FILTER, LIQUID, BI-FLO, 1/2 SW, VEN. PART # BFK 164S	104471046	\$198
	RHD400L44, RHD500L44	VALVE, TXV, 5/8 X 7/8ODF, SWEAT	EBSSE-6-Z	\$667
	FILTER, LIQUID, BI-FLO, 1/2 SW, VEN. PART # BFK 304S	104471047	\$267	
SCROLL	ALL RHO LOW TEMP. MODELS†	FAN GUARD, WIRE, EPOXY COATED, 20" (INDOOR MODELS ONLY)	201006007	\$270
		FAN BLADE, 24" DIAM., 28° PITCH, CCW (R-SERIES ONLY)	213266000	\$376
		LOW CUT OUT CONTROL	204464232	\$366
		HIGH CUT OUT CONTROL	204464208	\$284
		THERMOSTAT, AMBIENT FAN CYCLE	204464002	\$529
	RHO200L44 - RHO400L44	VALVE, REVERSING, 1/2 X 7/8 X 7/8	21012	\$722
		STRAINER, CONE, 1/2, 100M	123277001	\$32
	RHO500L44 - RHO600L44	VALVE, REVERSING, 5/8 X 1-1/8	16506	\$866
		STRAINER, CONE, 5/8, 40M	123277002	\$32
	RHO200L44	VALVE, TXV, 3/8 X 1/2 ODF, SWEAT	SBFSE-A-Z	\$522
		FILTER, LIQUID, BI-FLO, 3/8SW	104471049	\$195
	RHO250L44, RHO300L44	VALVE, TXV, 3/8 X 1/2 SWEAT	SBFSE-B-Z	\$522
	RHO250L44 - RHO301L44	FILTER, LIQUID, BI-FLO, 1/2 SW, VEN. PART # BFK 164S	104471046	\$198
	RHO301L44, RHO400L44	VALVE, TXV, 3/8 x 1/2 FL	SBFSE-C-Z	\$667
RHO400L44 - RHO600L44	FILTER, LIQUID, BI-FLO, 1/2 SW, VEN. PART # BFK 304S	104471047	\$267	
RHO500L44, RHO600L44	VALVE, TXV, 5/8 X 7/8ODF, SWEAT	EBSSE-6-Z	\$667	

*PARTS SELECTION MAY VARY BASED UPON SPECIFIC OPERATING CONDITIONS.

NLA - NO LONGER AVAILABLE

†All Low Temperature High Sierra Models with indicated Compressor type (Semi-Hermetic, Hermetic, Scroll or Discus)and Condensing unit.

HIGH SIERRA REPLACEMENT PARTS (CON'T)

LOW TEMP. MODELS*

HIGH SIERRA W/D-SERIES CONDENSING UNIT - MODELS DHD, DHO

COMP. TYPE	MODEL NUMBER	DESCRIPTION	PART NUMBER	LIST PRICE
DISCUS	ALL DHD*L44 LOW TEMP. MODELS†	MOTOR, PSC, 1/3 HP, 1075 RPM, 208-230/1	205051004	\$455
		FAN BLADE, 24" DIAM., 28° PITCH, CCW	213266000	\$376
		HI-LO PRESSURE CONTROL	204464041	\$685
		THERMOSTAT, AMBIENT FAN CYCLE	204464002	\$529
	DHD5L44 - DHD9L44	VALVE, REVERSING, 7/8 X 1-3/8 X 1-3/8	21054	\$1,428
		STRAINER, CONE, 7/8, 40M	123277003	\$40
	DHD10L44 - DHD15L44	VALVE, REVERSING, 1-1/8 X 1-5/8 X 1-5/8	21000	\$1,768
		STRAINER, CONE, 1-1/8, 40M	123277004	\$44
	DHD5L44	VALVE, TXV, 5/8 X 7/8 ODF, SWEAT	EBSSE-6-Z	\$667
	DHD6L44	VALVE, TXV, 5/8 X 7/8 ODF, SWEAT	EBSSE-7 1/2 -Z	\$667
	DHD5L44, DHD6L44	FILTER, LIQUID, BI-FLO, 1/2 SW, VEN. PART # BFK 304S	104471047	\$267
	DHD8L44, DHD9L44	VALVE, TXV, 7/8 X 1-1/8 ODF, SWEAT	EBSSE-10-Z	\$832
		FILTER, LIQUID, BI-FLO, 5/8 SW	104471066	\$276
	DHD10L44, DHD12L44	VALVE, TXV, 7/8 X 1-3/8 ODF, SWEAT	EBSSE-13-Z	\$832
		FILTER, LIQUID, BI-FLO, 5/8 SW	104471066	\$276
	DHD15L44	VALVE, TXV, 7/8 X 1-3/8 ODF, SWEAT	EBSSE-13-Z	\$832
FILTER, LIQUID, BI-FLO, 7/8 SW		104471193	\$284	
SCROLL	ALL DHO LOW TEMP. MODELS†	MOTOR, PSC, 1/3 HP, 1075 RPM, 208-230/1	205051004	\$455
		FAN BLADE, 24" DIAM., 28° PITCH, CCW	213266000	\$376
		HI-LO PRESSURE CONTROL	204464041	\$685
		THERMOSTAT, AMBIENT FAN CYCLE	204464002	\$529
		FILTER, LIQUID, BI-FLO, 5/8 SW	104471066	\$276
	DHO6L44	VALVE, REVERSING, 5/8 X 1-1/8	16506	\$866
		STRAINER, CONE, 5/8, 40M	123277002	\$32
	DHO6L44, DHO8L44	VALVE, TXV, 5/8 X 7/8 ODF, SWEAT	EBSSE-6-Z	\$667
	DHO8L44 - DHO13L44	VALVE, REVERSING, 7/8 X 1-3/8 X 1-3/8	21054	\$1,428
	DHO10L44, DHO13L44	STRAINER, CONE, 7/8, 40M	123277003	\$40
		VALVE, TXV, 7/8 X 1-1/8 ODF, SWEAT	EBSSE-10-Z	\$832

HIGH SIERRA W/V-SERIES CONDENSING UNIT - MODEL VHD

DISCUS	ALL VHD*L44 LOW TEMP. MODELS†	MOTOR, (NON-HEADER END), 1-1/2 HP, 1075 RPM, 208-230/460/60/3	110204000	\$1,917
		FAN BLADES, 30" DIAM., 24° PITCH, CW, 5/8" BORE (USE 08221151)	210385000	NLA
		FAN BLADES, 30" DIAM., 24° PITCH, CW, 5/8" BORE	08221151	\$599
		HI-LO PRESSURE CONTROL	204464041	\$685
		THERMOSTAT, AMBIENT FAN CYCLE	204464002	\$529
	VHD15L44 - VHD44L44	STRAINER, CONE, 1-3/8, 40M	123277005	\$47
	VHD54L44, VHD60L44	STRAINER, CONE	C/F	-
	VHD15L44, VHD22L44	VALVE, REVERSING, 1-3/8 X 2-1/8, FULL	21049	\$5,639
		VALVE, TXV, 1-1/8 X 1-3/8 SWEAT	OSE-21-Z	\$832
		FILTER SHELL, LIQUID, 7/8	104471021	\$667
	VHD27L44, VHD30L44	VALVE, REVERSING, 1-5/8 X 2-1/8 X 2-1/8	21055	\$6,655
		VALVE, TXV, 1-1/8 X 1-3/8 SWEAT	OSE-30-Z	\$832
		FILTER SHELL, LIQUID, 7/8	104471021	\$667
	VHD44L44	VALVE, REVERSING, 1-5/8 X 2-1/8 X 2-1/8	21055	\$6,655
		VALVE, TXV, 1-1/8 X 1-3/8 ODF, SWEAT	OSE-45-Z	\$832
		FILTER SHELL, LIQUID, 1-1/8	104471022	\$801
VHD54L44, VHD60L44	VALVE, REVERSING, 2-1/8 X 2-5/8 X 2-5/8	21056	\$9,491	
	VALVE, TXV, 1-1/8 X 1-3/8 SWEAT	(2) OSE-30-Z	\$1,662	
	FILTER SHELL, LIQUID, 1-1/8	104471022	\$801	

*PARTS SELECTION MAY VARY BASED UPON SPECIFIC OPERATING CONDITIONS.

C/F = CONTACT FACTORY

†All Low Temperature High Sierra Models with indicated Compressor type (Semi-Hermetic, Hermetic, Scroll or Discus)and Condensing unit.

‡ V-Series filter is not Bi-Flow Design. Part number is for replaceable core filter (shell only). Core Part # 14471034 (may require more than one core).

HIGH SIERRA REPLACEMENT PARTS (CONT)

MEDIUM TEMP.* MODELS*

HIGH SIERRA W/R-SERIES CONDENSING UNIT - MODELS RHS, RHO

COMP. TYPE	MODEL NUMBER	DESCRIPTION	PART NUMBER	LIST PRICE
R40 S E M I - H E R M E T I C	ALL RHS*M44 MEDIUM TEMP. MODELS†	LOW CUT OUT CONTROL	204464232	\$366
		HIGH CUT OUT CONTROL	204464208	\$284
		THERMOSTAT, AMBIENT FAN CYCLE	204464002	\$529
	RHS050M44 - RHS300M44	VALVE, REVERSING, 1/2 X 7/8 X 7/8	21012	\$722
		STRAINER, CONE, 1/2, 100M	123277001	\$32
		MOTOR, SHADED POLE, 1/20 HP, 1550 RPM, 230/1	102540004	\$243
		FAN BLADE, 12" DIAM., 24° PITCH, CCW	119103001	\$91
		VALVE, TXV, 3/8 X 1/2 ODF, SWEAT	SBFSE-A-C	\$522
	RHS050M44, RHS100M44	FILTER, LIQUID, BI-FLO, 3/8SW	104471048	\$117
		VALVE, TXV, 3/8 X 1/2 ODF, SWEAT	SBFSE-B-C	\$522
	RHS200M44	FILTER, LIQUID, BI-FLO, 3/8SW	104471049	\$195
		VALVE, TXV, 3/8 X 1/2 ODF, SWEAT	SBFSE-C-C	\$667
	RHS300M44	FILTER, LIQUID, BI-FLO, 1/2 SW, VEN. PART # BFK 164S	104471046	\$198
		VALVE, REVERSING 5/8 X 1-1/8	16506	\$866
	RHS400M44	STRAINER, CONE, 5/8, 40M	123277002	\$32
		VALVE, TXV, 5/8 X 7/8 ODF, SWEAT	EBSSE-6-C	\$667
		FILTER, LIQUID, BI-FLO, 1/2 SW, VEN. PART # BFK 304S	104471047	\$267
		FAN GUARD, WIRE, EPOXY COATED, 20" (INDOOR MODELS ONLY)	201006007	\$270
		FAN BLADE, 24" DIAM., 28° PITCH, CCW (R-SERIES ONLY)	213266000	\$376
		FAN GUARD, WIRE, EPOXY COATED, 20" (INDOOR MODELS ONLY)	201006007	\$270
R404A S C R O L L	ALL RHO*M44 MEDIUM TEMP. MODELS†	LOW CUT OUT CONTROL	204464232	\$366
		HIGH CUT OUT CONTROL	204464208	\$284
		THERMOSTAT, AMBIENT FAN CYCLE	204464002	\$529
	RHO200M44	FAN BLADE, 24" DIAM., 28° PITCH, CCW (R-SERIES ONLY)	213266000	\$376
		FAN GUARD, WIRE, EPOXY COATED, 20" (INDOOR MODELS ONLY)	201006007	\$270
	RHO200M44 - RHO300M44	FILTER, LIQUID, BI-FLO, 3/8SW	104471049	\$195
		VALVE, REVERSING, 1/2 X 7/8 X 7/8	21012	\$722
	RHO250M44 - RHO301M44	STRAINER, CONE, 1/2, 100M	123277001	\$32
		VALVE, TXV, 3/8 X 1/2 ODF, SWEAT	SBFSE-C-C	\$667
	RHO301M44 - RHO500M44	FILTER, LIQUID, BI-FLO, 1/2 SW, VEN. PART # BFK 164S	104471046	\$198
		VALVE, REVERSING 5/8 X 1-1/8	16506	\$866
	RHO400M44 - RHO600M44	STRAINER, CONE, 5/8, 40M	123277002	\$32
		VALVE, TXV, 5/8 X 7/8 ODF, SWEAT	EBSSE-6-C	\$667
	RHO600M44	FILTER, LIQUID, BI-FLO, 1/2 SW, VEN. PART # BFK 304S	104471047	\$267
		VALVE, REVERSING, 7/8 X 1-3/8 X 1-3/8	21054	\$1,428
	RHO650M44	STRAINER, CONE, 7/8, 40M	123277003	\$40
		VALVE, TXV, 5/8 X 7/8 ODF, SWEAT	EBSSE-6-C	\$667
		VALVE, REVERSING, 1-1/8 X 1-5/8 X 1-5/8	21000	\$1,768
		STRAINER, CONE, 1-1/8, 40M	123277004	\$44
		VALVE, TXV, 5/8 X 7/8 ODF, SWEAT	EBSSE-7 1/2 -C	\$526
		FILTER, LIQUID, BI-FLO, 5/8 SW	104471066	\$276

HIGH SIERRA W/D-SERIES CONDENSING UNIT - MODELS DHD, DHO

R2 D I S C U S	ALL DHD*H22 MEDIUM TEMP. MODELS†	HI-LO PRESSURE CONTROL	204464041	\$685
		THERMOSTAT, AMBIENT FAN CYCLE	204464002	\$529
		MOTOR, PSC, 1/3 HP, 1075 RPM, 208-230/1	205051004	\$455
	DHD5H22	FAN BLADE, 24" DIAM., 28° PITCH, CCW (R-SERIES ONLY)	213266000	\$376
		VALVE, REVERSING, 5/8 X 1-1/8	16506	\$866
	DHD5H22 - DHD8H22	STRAINER, CONE, 5/8, 40M	123277002	\$32
		VALVE, TXV, 5/8 X 7/8 ODF, SWEAT	EBSVE-8-C	\$526
	DHD7H22, DHD8H22	FILTER, LIQUID, BI-FLO, 5/8 SW	104471066	\$276
		VALVE, REVERSING, 7/8 X 1-3/8 X 1-3/8	21054	\$1,428
	DHD10H22	STRAINER, CONE, 7/8, 40M	123277003	\$40
		VALVE, TXV, 5/8 X 7/8 ODF, SWEAT	EBSVE-11-C	\$916
	DHD12H22	VALVE, REVERSING, 7/8 X 1-3/8 X 1-3/8	21054	\$1,428
		STRAINER, CONE, 7/8, 40M	123277003	\$40
	DHD10H22, DHD12H22	VALVE, REVERSING, 1-1/8 X 1-5/8 X 1-5/8	21000	\$1,768
		STRAINER, CONE, 1-1/8, 40M	123277004	\$44
	R404A	VALVE, TXV, 7/8 X 1-1/8 ODF, SWEAT	EBSVE-15-C	\$916
		FILTER, LIQUID, BI-FLO, 7/8 SW	104471193	\$284
	ALL DHD*M44 MEDIUM TEMP. MODELS†	HI-LO PRESSURE CONTROL	204464041	\$685
		THERMOSTAT, AMBIENT FAN CYCLE	204464002	\$529
		MOTOR, PSC, 1/3 HP, 1075 RPM, 208-230/1	205051004	\$455
DHD5M44 - DHD7M44	FAN BLADE, 24" DIAM., 28° PITCH, CCW (R-SERIES ONLY)	213266000	\$376	
	VALVE, REVERSING, 7/8 X 1-3/8 X 1-3/8	21054	\$1,428	
DHD5M44 - DHD8M44	STRAINER, CONE, 7/8, 40M	123277003	\$40	
	VALVE, TXV, 7/8 X 1-1/8 ODF, SWEAT	EBSSE-10-C	\$916	
DHD8M44, DHD10M44	FILTER, LIQUID, BI-FLO, 5/8 SW	104471066	\$276	
	VALVE, REVERSING, 1-1/8 X 1-5/8 X 1-5/8	21000	\$1,768	
DHD10M44, DHD12M44	STRAINER, CONE, 1-1/8, 40M	123277004	\$44	
	VALVE, TXV, 7/8 X 1-3/8 ODF, SWEAT	EBSSE-13-C	\$916	
DHD12M44	FILTER, LIQUID, BI-FLO, 7/8 SW	104471193	\$284	
	VALVE, REVERSING, 1-3/8 X 2-1/8, FULL	21049	\$5,639	
R40 S C R O L L	ALL DHO*M44 MEDIUM TEMP. MODELS†	STRAINER, CONE, 1-3/8, 40M	123277005	\$47
		VALVE, TXV, 7/8 X 1-3/8 ODF, SWEAT	EBSSE-13-C	\$916
HI-LO PRESSURE CONTROL		204464041	\$685	
DHO6M44	THERMOSTAT, AMBIENT FAN CYCLE	204464002	\$529	
	MOTOR, PSC, 1/3 HP, 1075 RPM, 208-230/1	205051004	\$455	
DHO7M44, DHO8M44	FAN BLADE, 24" DIAM., 28° PITCH, CCW (R-SERIES ONLY)	213266000	\$376	
	VALVE, REVERSING, 5/8 X 1-1/8	16506	\$866	
DHO10M44, DHO13M44	STRAINER, CONE, 5/8, 40M	123277002	\$32	
	VALVE, TXV, 5/8 X 7/8 ODF, SWEAT	EBSSE-7 1/2-C	\$526	
DHO10M44, DHO13M44	FILTER, LIQUID, BI-FLO, 1/2 SW, VEN. PART # BFK 304S	104471047	\$267	
	VALVE, REVERSING, 7/8 X 1-3/8 X 1-3/8	21054	\$1,428	
DHO10M44, DHO13M44	STRAINER, CONE, 7/8, 40M	123277003	\$40	
	VALVE, TXV, 7/8 X 1-1/8 ODF, SWEAT	EBSSE-10-C	\$916	
DHO10M44, DHO13M44	FILTER, LIQUID, BI-FLO, 5/8 SW	104471066	\$276	
	VALVE, REVERSING, 1-1/8 X 1-5/8 X 1-5/8	21000	\$1,768	
DHO10M44, DHO13M44	STRAINER, CONE, 1-1/8, 40M	123277004	\$44	
	VALVE, TXV, 7/8 X 1-3/8 ODF, SWEAT	EBSSE-13-C	\$916	
		FILTER, LIQUID, BI-FLO, 7/8 SW	104471193	\$284

*PARTS SELECTION MAY VARY BASED UPON SPECIFIC OPERATING CONDITIONS.

†All Medium Temperature High Sierra Models with indicated Compressor type (Semi-Hermetic, Hermetic, Scroll or Discus)and Condensing unit.

* Medium Temperature models are only available for warm ambient locations.

HIGH SIERRA REPLACEMENT PARTS - LISTING BY PRODUCT MODEL NUMBER
MEDIUM TEMP.¹ MODELS*
HIGH SIERRA W/R-SERIES CONDENSING UNIT - MODELS RHH, RHS, RHD, RHO

COMP. TYPE	MODEL NUMBER	DESCRIPTION	PART NUMBER	LIST PRICE	
HERMETIC	ALL RHH*H22 MEDIUM TEMP. MODELS†	VALVE, REVERSING, 1/2 X 7/8 X 7/8	21012	\$722	
		STRAINER, CONE, 1/2, 100M	123277001	\$32	
		LOW CUT OUT CONTROL	204464232	\$366	
		HIGH CUT OUT CONTROL	204464208	\$284	
		THERMOSTAT, AMBIENT FAN CYCLE	204464002	\$529	
	R22	RHH075H22 - RHH301H22	MOTOR, SHADED POLE, 1/20 HP, 1550 RPM, 230/1 (USE 08216071)	102540004	NLA
			MOTOR, SHADED POLE, 1/20 HP, 1550 RPM, 230/1	08216071	\$243
			FAN BLADE, 12" DIAM., 24° PITCH, CCW	119103001	\$91
	RHH075H22	VALVE, TXV, 3/8 X 1/2 ODF, SWEAT	SBFVE-AA-C	\$521	
	RHH075H22, RHH100H22	FILTER, LIQUID, BI-FLO, 3/8SW	104471048	\$117	
	RHH100H22, RHH151H22	VALVE, TXV, 3/8 X 1/2 ODF, SWEAT	SBFVE-A-C	\$505	
	RHH151H22, RHH201H22	FILTER, LIQUID, BI-FLO, 3/8SW	104471049	\$195	
	RHH201H22, RHH251H22	VALVE, TXV, 3/8 X 1/2 ODF, SWEAT	SBFVE-B-C	\$505	
	RHH251H22, RHH301H22	FILTER, LIQUID, BI-FLO, 1/2 SW, VEN. PART # BFK 164S	104471046	\$198	
	RHH301H22	VALVE, TXV, 3/8 X 1/2 ODF, SWEAT	SBFVE-C-C	\$644	
	RHH401H22, RHH500H22	FILTER, LIQUID, BI-FLO, 1/2 SW, VEN. PART # BFK 304S	104471047	\$267	
		VALVE, TXV, 3/8 X 1/2 ODF, SWEAT	SBFVE-C-C	\$644	
		FAN GUARD, WIRE, EPOXY COATED, 20" (INDOOR MODELS ONLY)	201006007	\$270	
		FAN BLADE, 24" DIAM., 28° PITCH, CCW (R-SERIES ONLY)	213266000	\$376	
	ALL RHH*M44 MEDIUM TEMP. MODELS	LOW CUT OUT CONTROL	204464232	\$366	
		HIGH CUT OUT CONTROL	204464208	\$284	
		THERMOSTAT, AMBIENT FAN CYCLE	204464002	\$529	
	R404A	RHH050M44 - RHH300M44	VALVE, REVERSING, 1/2 X 7/8 X 7/8	21012	\$722
			STRAINER, CONE, 1/2, 100M	123277001	\$32
			MOTOR, SHADED POLE, 1/20 HP, 1550 RPM, 230/1 (USE 08216071)	102540004	NLA
			MOTOR, SHADED POLE, 1/20 HP, 1550 RPM, 230/1	08216071	\$243
			FAN BLADE, 12" DIAM., 24° PITCH, CCW	119103001	\$91
		RHH050M44, RHH075M44	VALVE, TXV, 3/8 X 1/2 ODF, SWEAT	SBFSE-A-C	\$522
			FILTER, LIQUID, BI-FLO, 3/8SW	104471048	\$117
		RHH101M44	FILTER, LIQUID, BI-FLO, 3/8SW	104471048	\$117
		RHH101M44, RHH150M44	VALVE, TXV, 3/8 X 1/2 ODF, SWEAT	SBFSE-B-C	\$522
		RHH150M44, RHH201M44	FILTER, LIQUID, BI-FLO, 3/8SW	104471049	\$195
RHH201M44, RHH300M44		VALVE, TXV, 3/8 X 1/2 ODF, SWEAT	SBFSE-C-C	\$667	
RHH300M44		FILTER, LIQUID, BI-FLO, 1/2 SW, VEN. PART # BFK 164S	104471046	\$198	
RHH400M44		VALVE, REVERSING, 5/8 X 1-1/8	16506	\$866	
		STRAINER, CONE, 5/8, 40M	123277002	\$32	
		VALVE, TXV, 5/8 X 7/8 ODF, SWEAT	EBSS-6-C	\$667	
		FILTER, LIQUID, BI-FLO, 1/2 SW, VEN. PART # BFK 304S	104471047	\$267	
	FAN GUARD, WIRE, EPOXY COATED, 20" (INDOOR MODELS ONLY)	201006007	\$270		
	FAN BLADE, 24" DIAM., 28° PITCH, CCW (R-SERIES ONLY)	213266000	\$376		
R2 SEMI-HERMETIC	ALL RHH*H22 MEDIUM TEMP. MODELS †	LOW CUT OUT CONTROL	204464232	\$366	
		HIGH CUT OUT CONTROL	204464208	\$284	
		THERMOSTAT, AMBIENT FAN CYCLE	204464002	\$529	
		VALVE, REVERSING, 1/2 X 7/8 X 7/8	21012	\$722	
		STRAINER, CONE, 1/2, 100M	123277001	\$32	
	RHS050H22 - RHS300H22	MOTOR, SHADED POLE, 1/20 HP, 1550 RPM, 230/1	102540004	\$243	
		FAN BLADE, 12" DIAM., 24° PITCH, CCW	119103001	\$91	
	RHS050H22, RHS075H22	VALVE, TXV, 3/8 X 1/2 ODF, SWEAT	SBFVE-AA-C	\$521	
		FILTER, LIQUID, BI-FLO, 3/8SW	104471048	\$117	
	RHS100H22, RHS150H22	VALVE, TXV, 3/8 X 1/2 ODF, SWEAT	SBFVE-A-C	\$505	
	RHS100H22	FILTER, LIQUID, BI-FLO, 3/8SW	104471048	\$117	
	RHS150H22, RHS200H22	FILTER, LIQUID, BI-FLO, 3/8SW	104471049	\$195	
	RHS200H22	VALVE, TXV, 3/8 X 1/2 ODF, SWEAT	SBFVE-B-C	\$505	
	RHS300H22	VALVE, TXV, 3/8 X 1/2 ODF, SWEAT	SBFVE-C-C	\$644	
		FILTER, LIQUID, BI-FLO, 1/2 SW, VEN. PART # BFK 164S	104471046	\$198	
RHS400H22	FAN GUARD, WIRE, EPOXY COATED, 20" (INDOOR MODELS ONLY)	201006007	\$270		
	FAN BLADE, 24" DIAM., 28° PITCH, CCW (R-SERIES ONLY)	213266000	\$376		
	VALVE, TXV, 3/8 X 1/2 ODF, SWEAT	SBFVE-C-C	\$644		
	FILTER, LIQUID, BI-FLO, 1/2 SW, VEN. PART # BFK 304S	104471047	\$267		

*PARTS SELECTION MAY VARY BASED UPON SPECIFIC OPERATING CONDITIONS.

NLA - NO LONGER AVAILABLE

†All Medium Temperature High Sierra Models with indicated Compressor type (Semi-Hermetic, Hermetic, Scroll or Discus)and Condensing unit.

¹ Medium Temperature models are only available for warm ambient locations.

HIGH SIERRA REPLACEMENT PARTS (CON'T)
MEDIUM TEMP.¹ MODELS*
HIGH SIERRA W/V-SERIES CONDENSING UNIT - MODEL VHD

COMP. TYPE	MODEL NUMBER	DESCRIPTION	PART NUMBER	LIST PRICE	
R2	ALL VHD*H22 MEDIUM TEMP. MODELS †	HI-LO PRESSURE CONTROL	204464041	\$685	
		THERMOSTAT, AMBIENT FAN CYCLE	204464002	\$529	
		MOTOR, (NON-HEADER END), 1-1/2 HP, 1075 RPM, 208-230/460/60/3	110204000	\$1,917	
		FAN BLADES, 30" DIAM., 24° PITCH, CW, 5/8" BORE (Replaces 210385000)	08221151	\$599	
	VHD15H22	VALVE, REVERSING, 1-1/8 x 1-5/8 X 1-5/8	21000	\$1,768	
		STRAINER, CONE, 1-1/8, 40M	123277004	\$44	
	VHD15H22, VHD20H22	VALVE, TXV, 7/8 x 1-3/8ODF, SWEAT	EBSVE-20-C	\$916	
		FILTER SHELL, LIQUID, 7/8 §	104471021	\$667	
	VHD20H22 - VHD30H22	VALVE, REVERSING, 1-3/8 X 2-1/8, FULL	21049	\$5,639	
		STRAINER, CONE, 1-3/8, 40M	123277005	\$47	
	VHD25H22, VHD30H22	VALVE, TXV, 1-1/8 X 1-3/8 SWEAT	OVE-30-C	\$916	
	VHD25H22	FILTER SHELL, LIQUID, 7/8 §	104471021	\$667	
	VHD30H22	FILTER SHELL, LIQUID, 1-1/8 §	104471022	\$801	
	VHD35H22 - VHD50H22	VALVE, REVERSING, 1-5/8 X 2-1/8 X 2-1/8	21055	\$6,655	
		STRAINER, CONE, 1-3/8, 40M	123277005	\$47	
		FILTER SHELL, LIQUID, 1-1/8 §	104471031	\$1,158	
	VHD35H22, VHD40H22	VALVE, TXV, 1-1/8 X 1-3/8 SWEAT	OVE-40-C	\$916	
	D I S C U S	VHD50H22, VHD60H22‡	VALVE, TXV, 1-1/8 X 1-3/8 SWEAT	(2) OVE-30-C	\$1,830
		VHD60H22‡	FILTER SHELL, LIQUID, 1-3/8 §	104471032	\$1,440
	VHD60H22‡, VHD70H22‡	VALVE, REVERSING, 2-1/8 X 2-5/8 X 2-5/8	21056	\$9,491	
VHD70H22‡, VHD80H22‡	VALVE, TXV, 1-1/8 X 1-3/8 SWEAT	(2) OVE-40-C	\$1,830		
	FILTER SHELL, LIQUID, 1-5/8 §	104471033	\$1,697		
VHD80H22‡	VALVE, REVERSING, 2-5/8 X 3-1/8 X 3-1/8	21057	\$16,470		
R40	ALL VHD*M44 MEDIUM TEMP. MODELS	HI-LO PRESSURE CONTROL	204464041	\$685	
		THERMOSTAT, AMBIENT FAN CYCLE	204464002	\$529	
		MOTOR, (NON-HEADER END), 1-1/2 HP, 1075 RPM, 208-230/460/60/3	110204000	\$1,917	
		FAN BLADES, 30" DIAM., 24° PITCH, CW, 5/8" BORE (Replaces 210385000)	08221151	\$599	
	VHD15M44, VHD20M44	VALVE, REVERSING, 1-3/8 X 2-1/8, FULL	21049	\$5,639	
		STRAINER, CONE, 1-3/8, 40M	123277005	\$47	
		VALVE, TXV, 1-1/8 X 1-3/8 ODF, SWEAT	OSE-21-C	\$916	
		FILTER SHELL, LIQUID, 7/8 §	104471021	\$667	
	VHD25M44 - VHD35M44	VALVE, REVERSING, 1-5/8 X 2-1/8 X 2-1/8	21055	\$6,655	
		STRAINER, CONE, 1-3/8, 40M	123277005	\$47	
		VALVE, TXV, 1-1/8 x 1-3/8 SWEAT	OSE-30-C	\$916	
	VHD25M44	FILTER SHELL, LIQUID, 7/8 §	104471021	\$667	
	VHD30M44	FILTER SHELL, LIQUID, 1-1/8 §	104471022	\$801	
	VHD35M44 - VHD50M44§	FILTER SHELL, LIQUID, 1-1/8 §	104471031	\$1,158	
	VHD40M44‡ - VHD60M44‡	VALVE, REVERSING, 2-1/8 X 2-5/8 X 2-5/8	21056	\$9,491	
	VHD40M44‡	VALVE, TXV, 1-1/8 X 1-3/8 ODF, SWEAT	OSE-35-C	\$916	
	VHD50M44‡, VHD60M44‡	VALVE, TXV, 1-1/8 X 1-3/8 ODF, SWEAT	OSE-45-C	\$916	
	VHD60M44‡	FILTER SHELL, LIQUID, 1-3/8 §	104471032	\$1,440	
	VHD70M44‡, VHD80M44‡	VALVE, REVERSING, 2-5/8 X 3-1/8 X 3-1/8	21057	\$16,470	
		FILTER SHELL, LIQUID, 1-5/8 §	104471033	\$1,697	
VHD70M44‡	VALVE, TXV, 1-1/8 x 1-3/8 SWEAT	(2) OSE-30-C	\$1,830		
VHD80M44‡	VALVE, TXV, 1-1/8 X 1-3/8 ODF, SWEAT	(2) OSE-35-C	\$1,830		

*PARTS SELECTION MAY VARY BASED UPON SPECIFIC OPERATING CONDITIONS.

C/F = CONTACT FACTORY

†All Medium Temperature High Sierra Models with indicated Compressor type (Semi-Hermetic, Hermetic, Scroll or Discus)and Condensing unit.

‡ Contact Factory for Reverse Valve Strainer

§ V-Series filter is not Bi-Flow Design. Part number is for replaceable core filter (shell only). Core Part # 14471034 (may require more than one core).

¹ Medium Temperature models are only available for warm ambient locations.

APEX REFRIGERATION SYSTEM, XN, XT

MODEL NUMBER	DESCRIPTION	PART NUMBER	LIST PRICE
XN026M THRU XN037M, XN018L	CONDENSER AND EVAP. MOTOR, PSC, 16W, 1550 RPM, 115V	107933001	\$456
	CAPACITOR FOR THIS MOTOR, 5µF, 440V	202163004	\$54
	EVAPORATOR MOTOR, 115V, 16W, 1550 RPM, SP	103104007	\$224
	EVAPORATOR MOTOR, 115V, 16W, 1550 RPM, ECM	107933006	\$792
XN050M, XN024L	CONDENSER AND EVAP. MOTOR, PSC, 1/20 HP, 1550 RPM, 115V	08216074	\$334
	CAPACITOR FOR THIS MOTOR, 3µF, 370V	202163010	\$53
	EVAPORATOR MOTOR, 115V, 1/20 HP, 1550 RPM, SP	08216072	\$243
	EVAPORATOR MOTOR, 115V, 50W, 1550 RPM, ECM	08216124	\$743
X*050M THRU X*134M, X*024L THRU X*068L	CONDENSER AND EVAPORATOR MOTOR, 208-230V, 1/20 HP, 1550 RPM, PSC	08216073	\$379
	CAPACITOR FOR THIS MOTOR, 2µF, 370V	202163009	\$59
	EVAPORATOR MOTOR, 208-230V, 1/20 HP, 1550 RPM, SP	08216071	\$243
	EVAPORATOR MOTOR, 208-230V, 50W, 1550 RPM, ECM	08216125	\$765
XN026M THRU XN037M, XN018L	CONDENSER MOTOR MOUNT	10243000	\$113
	EVAPORATOR MOTOR MOUNT	12003000	\$61
X*050M THRU X*134M, X*024L THRU X*068L	CONDENSER AND EVAPORATOR MOTOR MOUNT (FOR SP AND PSC MOTORS)	21062000	\$156
	CONDENSER AND EVAPORATOR MOTOR MOUNT LEG (FOR ECM MOTORS, 3 REQUIRED PER MOTOR)	08522938	\$49
XN026M THRU XN037M, XN018L	CONDENSER FAN, 10 INCH DIAM., 31" PITCH, CCW	204395018	\$61
	EVAPORATOR FAN, 8 INCH DIAM., 36" PITCH, CW	08221167	\$53
X*050M THRU X*134M, X*024L THRU X*068L	CONDENSER FAN, 12 INCH DIAM., 23" PITCH, CCW	08221169	\$68
	EVAPORATOR FAN, 10 INCH DIAM., 31" PITCH, CW (FOR SP AND PSC MOTORS)	08221168	\$57
	EVAPORATOR FAN, 10 INCH DIAM., 30" PITCH, CW (FOR ECM MOTORS)	08221174	\$57
	ALL	HIGH PRESSURE CONTROL, 400 PSIG	08219424
XT050M THRU XT134M, XT024L THRU XT068L	CONDENSER MOTOR PRESSURE CONTROL	08219417	\$449
XT106M AND XT134M, XT051L AND 068L	CONDENSER MOTOR TEMPERATURE CONTROL	08219019	\$88
XN018L THRU X*068L	DEFROST HIGH LIMIT THERMOSTAT	103079003	\$144
XN050M AND XN024L	EVAPORATOR MOTOR RELAY, 115 VOLT COIL	08218979	\$59
X*050M THRU X*134M, X*024L THRU X*068L	EVAPORATOR MOTOR RELAY, 208-230 VOLT COIL	08218181	\$62
XN026M THRU XN037M, XN018L	COMPRESSOR CONTACTOR, 115 VOLT COIL	08218979	\$59
XN050M AND XN024L	COMPRESSOR CONTACTOR, 115 VOLT COIL	08219002	\$111
X*050M THRU X*134M, X*024L THRU X*068L	COMPRESSOR CONTACTOR, 208-230 VOLT COIL	08219018	\$120
ALL 115 VOLT FREEZERS	ELECTRONIC CONTROLLER , PROGRAMMED - LOW TEMP	08522796	\$750
ALL 208-230 VOLT FREEZERS	ELECTRONIC CONTROLLER, PROGRAMMED- LOW TEMP	08522797	\$750
ALL 115 VOLT COOLERS	ELECTRONIC CONTROLLER , PROGRAMMED - HIGH TEMP	08522798	\$750
ALL 208-230 VOLT COOLERS	ELECTRONIC CONTROLLER, PROGRAMMED - HIGH TEMP	08522799	\$750
ALL	ELECTRONIC COMTROLLER BOX AND DEFROST TEMPERATURE SENSOR	08219958	\$87
ALL	LATCHES FOR EVAPORATOR COVER	08326021	\$29
ALL	GASKET FOR TOP AND BOTTOM OF EVAPORATOR SECTION (ORDER/ FT)	08343051	\$22
XN026M THRU XN037M, XN018L	DEFROST HEATER, COIL, 400 WATTS, 22.5" LONG, 120V	08215137	\$308
XN050ME44A, XN024L	DEFROST HEATER, COIL, 375 WATTS, 26.5" LONG, 120V	08215144	\$282
X*050M THRU X*076M, X*024L THRU X*043L	DEFROST HEATER, COIL, 375 WATTS, 26.5" LONG, 240V	08215138	\$310
X*106M THRU X*134M, X*051L AND X*068L	DEFROST HEATER, COIL, 600 WATTS, 40.5" LONG, 240V	08215139	\$435
XN026M THRU XN037M, XN018L	DEFROST HEATER, DP, 400 WATTS, 19.5" LONG, 120V	08215140	\$284
XN050ME44A, XN024L	DEFROST HEATER, DP, 500 WATTS, 22.0" LONG, 120V	08215145	\$296
X*050M THRU X*076M, X*024L THRU X*043L	DEFROST HEATER, DP, 500 WATTS, 22.0" LONG, 240V	08215141	\$315
X*106M THRU X*134M, X*051L AND X*068L	DEFROST HEATER, DP, 600 WATTS, 35.0" LONG, 240V	08215142	\$376
XT050M THRU XT134M, XT024L THRU XT068L	DRAIN LINE HEATER	08215143	\$195
XT050M THRU XT134M, XT024L THRU XT068L	DRAIN LINE THERMOSTAT	103079003	\$144

** REQUIRES THE PURCHASE OF A NEW MOTOR MOUNT (21062000) TO FIT THE MOTOR

MOTOR CROSS-REFERENCE CHART

MOTOR HP	VOLT	PH.	RPM	MODEL APPLICATION	PART	LIST	SHPG WT
					NUMBER	PRICE	LBS
43 WATTS (INPUT) CW ROTATION	115V	1	3000	FT, MDF, MUF, MTW, SL, TT	102249005	\$191	2
	230 V	1	3000		102249007	\$191	2
4 WATTS	115V	1	1550	HI, TW, WA, WE	103104002	\$155	2
9 WATTS	115V	1	1550	FL, FT, HI, TW, WA, WE	103104004	\$189	2
	230V	1	1550	FL, FT, HI, TW, WA, WE	103104005	\$189	2
16 WATTS (ALL ANGLE)	115 V	1	1550	AL, CTA, CTE, FL, FT, SL, ASL, WE	103104007	\$224	4
	230 V	1	1550		103104008	\$224	3
16 WATTS PSC (OPTIONAL no cap.)	115 V	1	1550	AL, CTA, CTE, FL, SL, ASL, WE	107933001	\$456	4
	230 V	1	1550		107933002	NLA	—
1/20 HP SHADED POLE	115 V	1	1550	ALL TEMP ² , ALL TEMP ² B & MINICON 1/2 - 2 HP	102540003 (USE 08216072)	NLA	—
	115 V	1	1550		08216072	\$243	3
	230 V	1	1550		102540004* (USE 08216071)	NLA	—
	230 V	1	1550		08216071	\$243	3
	460 V	1	1550		102540005	\$361	3
1/20 HP PSC (OPTIONAL)	115 V	1	1550	ALL TEMP ² , ALL TEMP ² B	108178001 (USE 08216074)	NLA	—
	115 V	1	1550		08216074	\$334	4
	230 V	1	1550		108178002 (USE 08216073)	NLA	—
	230 V	1	1550	MINICON (ONLY)	08216073	\$379	4
	230 V	1	1550		108178002 (USE 08216073)	NLA	—
	230 V	1	1550		08216073	\$379	4
1/20 HP SHADED POLE	115 V	1	1550	HI, TW, WA, WE	102540001	\$243	3
	230 V	1	1550		102540002	\$264	3
1/15 HP SHADED POLE	115 V	1	1050	INTER TEMP Prior to April, 1994	NLA	-	—
	460 V	1	1050		NLA	-	—
1/12HP SHADED POLE	115 / 230 V	1	1050	HI, TW, WA, RAC	08216119	\$681	8
	115 V	1	1075	INTER TEMP after March, 1996 (between 4/94 & 3/96 see page 9)	115248001	\$905	11
230 V	1	1075	115248002		\$905	11	
460 V	1	1075	115248003		\$960	11	
1/6 HP SHADED POLE	115/230V	1	1050	SU, HI, TW, RAC, RE, RC, RS, MINICON 3 HP	102542007	-	—
					08216025	-	—
1/3 HP PSC	115 V	1	1075	SU Hi-Cap, UA, ASU, RC, REC,	205051005	\$874	12
	230 V	1	1075	MINICON 4-6 HP	205051004	\$455	12
	460 V	1	1075	SU, UA, ASU, RC, REC	205051006	\$857	12
1/3 HP PSC LO-GREASE	115 V	1	1075	INTER-TEMP, ULTRA-TEMP	205051020	\$982	12
	230 V	1	1075		205051019	\$1,085	12
	460 V	1	1075		205051021	\$1,197	12
1/4HP (#130)	230 V	3	1140	SU, UA	NLA	-	—
	460 V	3	1140		NLA	-	—
1/3 HP	230/460 V	3	550	VRQ	119226000	\$1,479	13
3/4HP TEAO	230/460 V	3	1140	TD, CAC, VAC 5-19,	NLA	-	—
3/4HP PSC	230 V	1	1075	CAC, VAC 5-19, TD, RC, REC, DE, DS	205051009	\$1,197	18
	460 V	1	1075		205051002	\$1,318	17
3/4HP PSC	230 V	1	1075	CAC VARI SPEED	205051015	\$1,463	20
	460 V	1	1075		205051016	\$1,584	20
3/4HP PSC	208-230 V	1	1625	UT, ASU, AUT	205051007	\$1,226	18
	460 V	1	1625		205051008	\$1,319	17
3/4HP	230/460 V	3	1725	UT, ASU, AUT	123123000	\$1,324	18
3/4HP LO-GREASE	230/460 V	3	1725	UT, ASU, AUT	125101000	\$2,395	18
3/4HP PSC LO-GREASE	208-230 V	1	1075	UT, UA	118187000	\$1,512	18
	460 V	1	1075		118186000	\$1,729	17
1 HP	230/460 V	3	850	VEQ	114105000	\$2,670	24
1-1/2 HP	208-230/460 V	3	1140	VAC 22-144, CAC 56-72	110204000	\$1,917	37

* Replacement for All- Temp models ONLY, see note below for MiniCon models

NLA - NO LONGER AVAILABLE



PRINCIPAL TERMS AND CONDITIONS OF SALE

1. **Applicable Law and Terms of Sale:** All orders shall be subject to the following terms and conditions notwithstanding any additional or contrary printed terms and conditions of Buyer. Such additional or contrary terms shall not bind Seller unless accepted in writing even though such terms do not materially alter the terms hereof. No oral statements, warranties, stipulations, representations or terms shall have any binding effect or be any part of the contract whatsoever.
2. **Orders:** All orders must be in writing and will be binding when our order acknowledgment is mailed. Orders are accepted subject to strikes, fires, accidents, and other causes beyond our reasonable control. Acceptance of your order is conditioned upon an agreement to hold us harmless by reason of delivery delays.
3. **Prices:** Prices are subject to change without notice, and all quotations, unless otherwise specified, are binding only for immediate acceptance. Prices are based on material made to Seller's standard tolerances, unless otherwise specified.
4. **Freight:** All products are shipped FOB Point of Shipment with full freight allowed on single orders with a net price value of \$10,000.00 or more, except surface coils and parts, within the continental USA (excluding Alaska and Hawaii). Routing and selection of carrier will be made by Seller. For special routing requests, Buyer will bear all additional costs for such routing. Equipment is shipped at Buyer's risk. Buyer should examine equipment before signing transportation receipt. If equipment is received damaged or if quantity received does not match freight bill, the Buyer should require agent to so indicate on freight bill and immediately file a damage/missing claim. Our liability ceases upon delivery of equipment in good order to the freight carrier.
5. **Taxes:** Any sales, use, excise, or similar tax payable by Seller which is or may be imposed by any taxing authority upon manufacture, sale or delivery of goods covered by any order or any increase in rate of any such tax now in force, shall be added to the sales price; if not collected at the time of payment of sales price, Buyer will hold Seller harmless.
6. **Limited Warranty:** Seller warrants against defect in materials and workmanship in products which it manufactures for (1) year from date of installation or up to (18) eighteen months from the date of shipment, whichever event occurs first, when properly installed and operated under normal use. This guarantee does not include any labor or other charges made outside of the Seller's factory for replacement or repair of defective parts unless specifically stated in the body of the Seller's invoice. On parts not manufactured by Seller, such as motors, controls, valves and compressors we extend to the Buyer the same warranties made to us by the manufacturer. Seller's only liability under this warranty or otherwise shall be the repair or replacement (at Seller's option) of non-conforming goods or parts. Seller assumes no liability for incidental or consequential damages such as injury to person or property, or lost profits.
7. **THIS GUARANTEE SUPERSEDES AND IS IN LIEU OF ANY AND ALL OTHER WARRANTIES BY LAW OR CUSTOM, EITHER EXPRESSED OR IMPLIED INCLUDING, BUT NOT LIMITED BY THIS ENUMERATION, ANY GUARANTEE AS TO QUALITY OR FITNESS FOR ANY PARTICULAR PURPOSE, EXCEPT AS SET FORTH ABOVE. NO PERSON, AGENT, OR DEALER IS AUTHORIZED TO GIVE ANY WARRANTIES ON BEHALF OF SELLER NOR TO ASSUME FOR SELLER ANY OTHER LIABILITY IN CONNECTION WITH ANY OF THE SELLER'S PRODUCTS.**
8. **Delivery:** Seller shall not be liable for any delays in or failure of delivery due to acts of God or public authority, labor disputes, accidents, fires, floods, extreme weather conditions, failure of and delays by carriers, shortages of material, delays of a supplier, and any other cause beyond Seller's control. In no event shall Seller be liable for consequential or special damages arising out of a delay in or failure of delivery. Failure to meet estimated ship dates will not be considered sufficient cause of cancellation of orders.
9. **Cancellations and Returned Goods:** Permission to return any part or product must be obtained from Seller and may be subject to a restocking charge. Credits for new material accepted for return will be at the original sales price or current market price, whichever is lower, less handling and restocking charges. Buyer must prepay all transportation charges. Any costs for putting material in condition for resale will be charged to the Buyer. Shipment of material returned without factory authorization or not properly tagged with a Return Material Authorization Number or not freight prepaid cannot be received by Seller. Obsolete products or material made to special order are not returnable.
10. **Catalog Materials and Drawings:** Seller is not responsible for typographical errors or other errors of omission in Seller's catalogs or drawings.
11. **Late Charge Provision:** Buyer agrees to pay a late charge of 1-1/2% per month (18% per year) for any invoice or bill not paid within (30) thirty days of the date of the billing invoice.
12. **Choices of law, Disputes:** This agreement and the performance of the parties hereunder shall be construed in accordance with and governed by the laws of the State of Georgia and shall be deemed made in the state. Buyer irrevocably consents to the exclusive jurisdiction of the courts of Fulton County, on all matters arising out of or relating to this sale and Buyer further irrevocably consents to service of process by certified mail, return receipt requested, at Buyer's address set forth in the order acknowledgement.

The above terms and conditions apply to all orders placed with the Seller. Buyer acknowledges having read and understood these terms and conditions and agrees to abide by them upon placement of any order with the Seller. In the event it becomes necessary to refer the account to a collection agency or to institute legal action to obtain payment of the account, Buyer agrees to pay all reasonable attorney fees and court costs incurred by such action.

