

## LIST PRICES

January 2020

### INDEX

#### AIR COOLED CONDENSERS

MultiCon Air Cooled Condenser - RDS, RDD	20
MultiCon Air Cooled Condenser - RAC, TD, VAC, VEQ, ACS, ACL	21
MultiCon Computer Room Air Cooled Condenser - CAC	22

#### CONDENSING UNITS

Next-Gen MiniCon Air Cooled Condensing Units - RF*, RB*, RV*	22
MiniCon Air-Cooled Condensing Units - R*H, R*S, R*O, R*D	23
Next-Gen II Air Cooled Condensing Units - RF*, RB*	23
"D" Style Air-Cooled Condensing Units - DC, DE, DS, DL	24
Russette Air-Cooled Condensing Units - RC, RE, RS	24
Russcon Air-Cooled Condensing Units - H, L, M	24
"V" Style Air-Cooled Condensing Units - VC, VL, VS	24

#### FLUID COOLERS

MultiCon Air-Cooled Fluid Coolers - FVAC, FTD, FVAC	21-22
---	-------

#### MOTORS

Motor Cross-Reference Chart	31
-----------------------------	----

#### WALK-IN / WAREHOUSE EVAPORATORS

Next-Gen All-Temp - RLA, RLE, RLH, RLG	3-4
EcoNet Enabled Unit Cooler Replacement Parts	4
All-Temp Vintage C - AA*C, AE*C	4
All-Temp <sup>2</sup> B - AA*B, AE*B, AG*B, AH*B (Built after 10/1991)	5
All-Temp <sup>2</sup> B - AA*B, AE*B, AG*B, AH*B (Built after 04/2004)	6
All-Temp <sup>2</sup> - AA, AE, AG, AH	6
All-Temp - AL	7
All-TempB - AL*B	7

#### WALK-IN / WAREHOUSE EVAPORATORS cont.

Ceiling-Temp - CTA, CTE	8
Flow Temp - RWF models	8
Flow-Temp - FL, FL*(E), FL*(G), FL*(H)	9
Inter-Temp - ITA, ITE, ITG, ITH	10-11
Ultra-Temp - U*U, U*L, U*M, UAH	12-13
Surveillant Demand Defrost Controller replacement Parts	5

#### REACH - IN EVAPORATORS

ASL, ASLE, ASLA	15
FLEX AIR - FT	14
Hi-Temp - HI	14
MINI TWIN AIR - MTW	16
MULLION AIR - MDF, MUF	16
SLIM AIR - SL, SLA, SLE	16-17
T-TEMP - TT	18
TWIN Temp - TW	18
WALL-TEMP - WA	19
WEDGE-TEMP - WE	19

#### SYSTEMS

High Sierra (Low Temp)	25-26
High Sierra (Med. Temp)	27-29
APEX - XN, XT	30

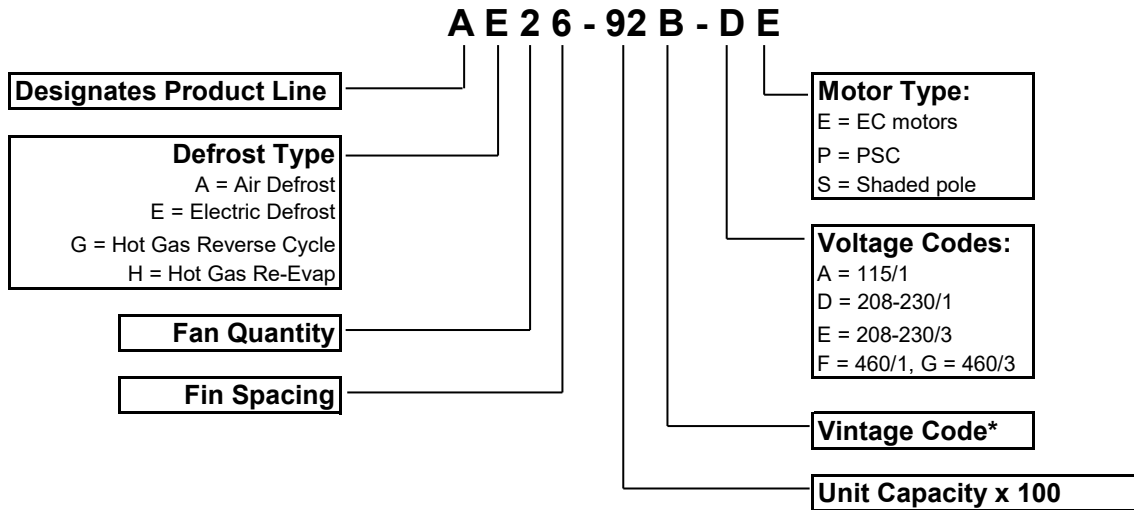
Due to ongoing product development, specification and prices are subject to change without notice.

# ORDERING INFORMATION

1. All orders are subject to a \$30.00 net minimum billing.
2. All orders are subject to RUSSELL's Terms and Conditions of Sale.
3. All parts are shipped FOB point of shipping:
  - a.) Parts are typically shipped in cardboard cartons/unless size or weight will not permit.
  - b.) Any PARTS order that requires crating cannot be shipped by United Parcel Service.
  - c.) An example of parts that must be crated are metal components such as; venturi panels, drain pans, long defrost heaters.
  - d.) Defrost heaters are shipped straight whenever possible, all heaters are shipped with heater hooks.
  - e.) PSC motors are shipped less their capacitors, unless specifically ordered.
4. Warranty on all parts is 90 days from date of invoice.
5. When ordering replacement parts for a unit, if the exact part number is not available, it is very important that the complete model number, serial number, and voltage be provided. This information will help determine the exact vintage of the unit.

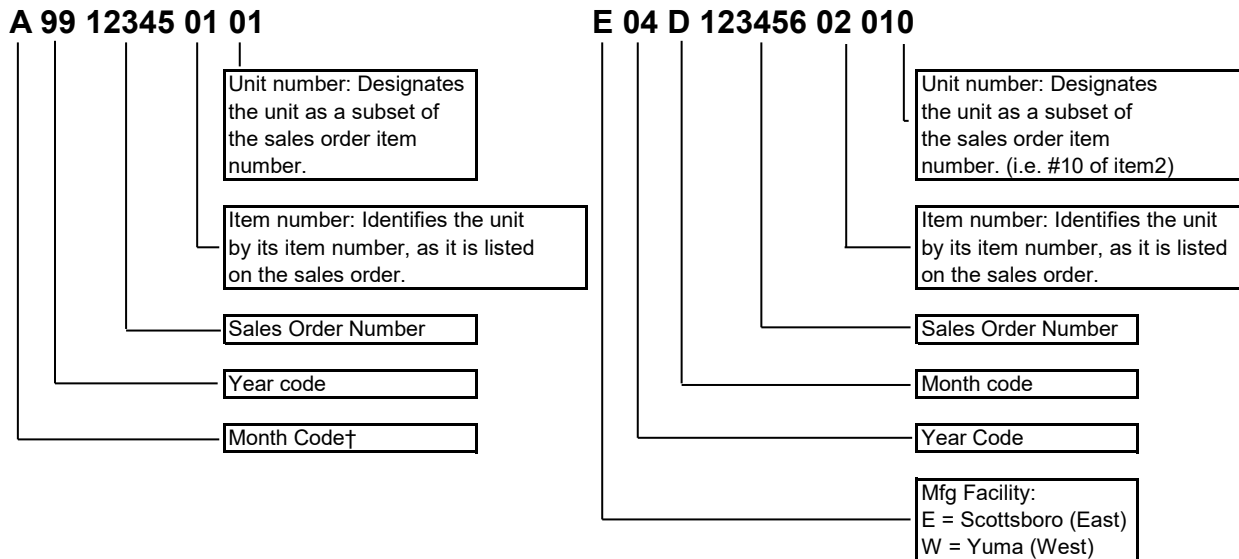
## NOMENCLATURE

The following information can be derived by using the evaporator nomenclature; number of fans, fin spacing . The following example applies to Russell evaporators, with the exception of ASL and SL models which have their defrost designation in the suffix position.



\* If an "X" is in the Vintage position, or at the beginning of the model number, the unit was built with a modification or special component that deviates from the standard description.

## SERIAL NUMBERS



## REPLACEMENT PARTS - LISTING BY PRODUCT MODEL NUMBER

### NEXT-GEN ALL-TEMP - RLA, RLE, RLH, RLG

MODEL NUMBER	DESCRIPTION	PART NUMBER	LIST PRICE
ALL MODELS OR AS SPECIFIED IN DESCRIPTION	DRAIN PAN 1 FAN, AIR DEF	0852833601	\$410
	DRAIN PAN 2 FAN , AIR DEF	0852833701	\$460
	DRAIN PAN 3 FAN , AIR DEF	0852833801	\$509
	DRAIN PAN 4 FAN , AIR DEF	0852833901	\$708
	DRAIN PAN 5 FAN , AIR DEF	0852834001	\$777
	DRAIN PAN 6 FAN , AIR DEF	0852834101	\$836
	DRAIN PAN 1 FAN , ELECTRIC DEF	0852833602	\$410
	DRAIN PAN 2 FAN , ELECTRIC DEF	0852833702	\$460
	DRAIN PAN 3 FAN , ELECTRIC DEF	0852833802	\$509
	DRAIN PAN 4 FAN , ELECTRIC DEF	0852833902	\$708
	DRAIN PAN 5 FAN , ELECTRIC DEF	0852834002	\$777
	DRAIN PAN 6 FAN , ELECTRIC DEF	0852834102	\$836
	DRAIN FITTING AL	08248171	N/A
	DRAIN NUT	08321595	N/A
	DRAIN GASKET	08321596	N/A
	VENTURI 1 FAN	08528313	\$345
	VENTURI 2 FAN	08528314	\$370
	VENTURI 3 FAN	08528315	\$388
	VENTURI 4 FAN	08528316	\$410
	VENTURI 5 FAN	08528317	\$430
	VENTURI 6 FAN	08528318	\$448
	ENDCOVER DOOR	08528319	\$158
	DUAL SPEED / DUAL VOLTAGE MOTOR, EC MOTOR, 50 WATT, 1550 RPM, 115/230V, CCW ROTATION, (Air or Electric Defrost Models)	08216194	\$809
	DUAL SPEED MOTOR RELAY 120V	08218183	\$33
	DUAL SPEED MOTOR RELAY 240V	08218377	\$33
	1 speed MOTOR, ECM, 50 WATT, 1550 RPM, 115V, CCW (Hot Gas Defrost)	08216124	\$674
	1 speed MOTOR, ECM, 50 WATT, 1550 RPM, 230V/1, CCW (Hot Gas Defrost)	08216125	\$694
	2 speed MOTOR, ECM, 50 WATT, 1550 RPM, 115V, CCW (Hot Gas Defrost)	08216155	\$718
	2 speed MOTOR, ECM, 50 WATT, 1550 RPM, 230V/1, CCW (Hot Gas Defrost)	08216156	\$718
	MOTOR, PSC, 1/20 HP, 1550 RPM, 115V	08216074	\$303
	MOTOR, PSC, 1/20 HP, 1550 RPM, 230V/1	08216073	\$344
	MOTOR, PSC, 1/20 HP, 1550 RPM, 460V/1	08216135	\$449
	MOTOR MOUNT, LEG, TALL (EC MOTORS)	08321627	\$85
	MOTOR MOUNT, LEG, SHORT (PSC MOTORS)	08321628	\$80
	FAN BLADE, 12" DIAM., 24° PITCH, CW (For use with EC Motors)	08221175	\$79
	FAN BLADE, 12" DIAM., 24° PITCH, CW (For use with PSC Motors)	08221153	\$83
	FAN GUARD, PLASTIC, HIGH THROW, BLACK, 12"	08321626	\$144
	DEFROST TERMINATION / FAN DELAY, SPST, O35/C55	08219328	\$142

### NEXT-GEN ALL-TEMP ELECTRIC DEFROST MODELS - RLE

RL6E035, RL6E042, RL6E049, RL4E027, RL4E032, RL4E038	COIL HEATER, 1F, 230V, 375 WATTS	08215200	\$75
	DRAIN PAN HEATER, 1F, 230V, 375 WATTS	08215206	\$75
	DRAIN PAN HEATER, 1F, 460V, 375 WATTS	08215212	\$70
RL6E066, RL6E077, RL6E090, RL6E105, RL4E051, RL4E064, RL4E080	COIL HEATER, 2F, 230V, 750 WATTS	08215201	\$89
	DRAIN PAN HEATER, 2F, 230V, 750 WATTS	08215207	\$86
	DRAIN PAN HEATER, 2F, 460V, 750 WATTS	08215213	\$101
RL6E121, RL4E094, RL6E142, RL4E110	COIL HEATER, 3F, 230V, 1100 WATTS	08215202	\$115
	DRAIN PAN HEATER, 3F, 230V, 1100 WATTS	08215208	\$120
	DRAIN PAN HEATER, 3F, 460V, 1100 WATTS	08215214	\$132
RL6E162, RL4E125, RL6E182, RL4E141	COIL HEATER, 4F, 230V 1475 WATTS	08215203	\$121
	DRAIN PAN HEATER, 4F, 230V, 1475 WATTS	08215209	\$122
	DRAIN PAN HEATER, 4F, 460V, 1475 WATTS	08215215	\$168
RL6E200, RL4E155	COIL HEATER, 5F, 230V 1850 WATTS	08215204	\$132
	DRAIN PAN HEATER, 5F, 230V, 1850 WATTS	08215210	\$125
	DRAIN PAN HEATER, 5F, 460V, 1850 WATTS	08215216	\$193
RL6E244, RL4E195, RL6E281, RL4E230	COIL HEATER, 6F, 230V 2225 WATTS	08215205	\$146
	DRAIN PAN HEATER, 6F, 230V, 2225 WATTS	08215211	\$135
	DRAIN PAN HEATER, 6F, 460V, 2225 WATTS	08215217	\$219

Note: The Heater voltage will line up with the voltage code in the model number. Each unit will get 3 heaters (2 on the face of the coil & 1 in the drain pan). 460V units include (2) 230V face heaters wired in series. The drain pan contains a single 460V heater.

**NEXT-GEN ALL-TEMP HOT GAS DEFROST MODELS - RLG, RLH**

MODEL NUMBER	DESCRIPTION	PART NUMBER	LIST PRICE
RL6G035, RL6G042, RLG049, RL4G027, RL4G032, RL4G038, RL6H035, RL6H042, RLH049, RL4H027, RL4H032, RL4H038	DRAIN PAN HEATER, 1F, 115V, 375 WATTS	08530726	\$79
	DRAIN PAN HEATER, 1F, 230V, 375 WATTS	08215206	\$75
	DRAIN PAN HEATER, 1F, 460V, 375 WATTS	08215212	\$70
RL6G066, RL6G077, RL6G090, RL6G105, RL4G051, RL4G064, RL4G080, RL6H066, RL6H077, RL6H090, RL6H105, RL4H051, RL4H064, RL4H080	DRAIN PAN HEATER, 2F, 115V, 750 WATTS	08530727	\$111
	DRAIN PAN HEATER, 2F, 230V, 750 WATTS	08215207	\$86
	DRAIN PAN HEATER, 2F, 460V, 750 WATTS	08215213	\$101
RL6G121, RL4G094, RL6G142, RL4G110, RL6H121, RL4H094, RL6H142, RL4H110	DRAIN PAN HEATER, 3F, 115V, 1100 WATTS	08530728	\$154
	DRAIN PAN HEATER, 3F, 230V, 1100 WATTS	08215208	\$120
	DRAIN PAN HEATER, 3F, 460V, 1100 WATTS	08215214	\$132
RL6G162, RL4G125, RL6G182, RL4G141, RL6H162, RL4H125, RL6H182, RL4H141	DRAIN PAN HEATER, 4F, 115V, 1475 WATTS	08530729	\$179
	DRAIN PAN HEATER, 4F, 230V, 1475 WATTS	08215209	\$122
	DRAIN PAN HEATER, 4F, 460V, 1475 WATTS	08215215	\$168
RL6G200, RL4G155, RL6H200, RL4H155	DRAIN PAN HEATER, 5F, 115V, 1850 WATTS	08530730	\$209
	DRAIN PAN HEATER, 5F, 230V, 1850 WATTS	08215210	\$125
	DRAIN PAN HEATER, 5F, 460V, 1850 WATTS	08215216	\$193
RL6G244, RL4G195, RL6G281, RL4G230, RL6H244, RL4H195, RL6H281, RL4H230	DRAIN PAN HEATER, 6F, 115V, 2225 WATTS	08530731	\$243
	DRAIN PAN HEATER, 6F, 230V, 2225 WATTS	08215211	\$135
	DRAIN PAN HEATER, 6F, 460V, 2225 WATTS	08215217	\$219

Note: The Heater voltage will line up with the voltage code in the model number. Each unit will get 3 heaters (2 on the face of the coil & 1 in the drain pan). 460V units include (2) 230V face heaters wired in series. The drain pan contains a single 460V heater.

**ECONET ENABLED UNIT COOLER REPLACEMENT PARTS**

MODEL NUMBER	DESCRIPTION	PART NUMBER	LIST PRICE
ECONET ENABLED UNIT COOLERS	SPACE/DRAIN TEMP SENSOR	08219623	\$66
	SUCTION TEMP SENSOR	08219637	\$150
	ECONET CONTROL BOARD	08219624	\$633
	96" CONTROLLER WIRE HARNESS	0821963502	\$286
	EVAP. TEMP SENSOR	08219636	\$44
	SUCTION PRESSURE SENSOR	08219621	\$111
	63" CONTROLLER WIRE HARNESS	0821963501	\$189
	126" CONTROLLER WIRE HARNESS	0821963503	\$214
	CONTROLLER POWER HARNESS	08219638	\$12

**ALL-TEMP VINTAGE C - AA, AE**

ALL MODELS	DRAIN PAN 1 FAN	08527139	\$409
	DRAIN PAN 2 FAN S.	08527379	\$460
	DRAIN PAN 2 FAN L.	08527140	\$460
	DRAIN PAN 3 FAN	08527141	\$509
	DRAIN PAN 4 FAN	08527142	\$708
	DRAIN PAN 5 FAN	08527143	\$776
	DRAIN PAN 6 FAN	08527144	\$836
	VENTURI 1 FAN	08527369	\$345
	VENTURI 2 FAN S.	08527381	\$370
	VENTURI 2 FAN L.	08527370	\$370
	VENTURI 3 FAN	08527371	\$387
	VENTURI 4 FAN	08527372	\$409
	VENTURI 5 FAN	08527373	\$430
	VENTURI 6 FAN	08527374	\$447
	ENDCOVER DOOR, LONG	08527353	\$157
	ENDCOVER DOOR, SHORT	08527354	\$157
	MOTOR MOUNT, LEG, TALL	08527378	\$51
	MOTOR MOUNT, LEG, SHORT	08527375	\$78
	DRAIN FITTING AL	08248171	N/A
	DRAIN NUT	08321595	N/A
	DRAIN GASKET	08321596	N/A
	FAN BLADE, 12" DIAM., 24° PITCH, CW (For use with EC Motors) (USE 08221153)	107943000	NLA
	FAN BLADE, 12" DIAM., 24° PITCH, CW (For use with EC Motors)	08221153	\$83
	FAN GUARD, PLASTIC, HIGH THROW, BLACK, 12"	205925001	\$144
	1 speed MOTOR, ECM, 50 WATT, 1550 RPM, 115 V, CCW	08216124	\$674
	1 speed MOTOR, ECM, 50 WATT, 1550 RPM, 230 V, CCW	08216125	\$694
	2 speed MOTOR, ECM, 50 WATT, 1550 RPM, 115 V, CCW	08216155	\$718
	2 speed MOTOR, ECM, 50 WATT, 1550 RPM, 230 V, CCW	08216156	\$718
	Defrost Termination / Fan Delay ,SPST,O35/C55	08219328	\$142

**ALL-TEMP<sup>2</sup>B - MODELS AA-B, AE-B, AG-B, AH-B (BUILT AFTER OCTOBER 1,1991 )**

MODEL NUMBER	DESCRIPTION	PART NUMBER	LIST PRICE
ALL "AE" MODELS	DEFROST CONTROL, DEFROST TERMINATION (USE 08219273)	103079010	NLA
ALL "AE" MODELS	DEFROST CONTROL, DEFROST TERMINATION, (TIMER RESET) 2 WIRE	08219273	\$142
ALL "AE" MODELS	DEFROST CONTROL, FAN DELAY, 2 WIRE	103079009	\$142
1 - 6 FAN AE MODELS	HEATER SAFETY SWITCH, 2 WIRE	103079003	\$130
AE14-37B, AE16-36B,	DEFROST HEATER, CORE, 500 WATTS, 26-1/4" LENGTH, 208-230/460 V.	206240006	\$399
AE16-41B, AE16-46B	DEFROST HEATER, DRAIN PAN, 500 WATTS, 21" LENGTH, 208-230/460 V.	200172042	\$308
AE24-72B, AE24-85B,	DEFROST HEATER, CORE, 1000 WATTS, 44-1/4" LENGTH, 208-230/460 V.	206240008	\$342
AE26-92B	DEFROST HEATER, DRAIN PAN, 1000 WATTS, 39" LENGTH, 208-230/460 V.	200172044	\$318
AE26-60B, AE26-75B	DEFROST HEATER, CORE, 800 WATTS, 40-1/4" LENGTH, 208-230/460 V.	206240007	\$318
	DEFROST HEATER, DRAIN PAN, 800 WATTS, 35" LENGTH, 208-230/460 V.	200172043	\$308
AE34-105B, AE36-120B,	DEFROST HEATER, CORE, 1500 WATTS, 62-1/4" LENGTH, 208-230/460 V.	206240009	\$398
AE36-140B	DEFROST HEATER, DRAIN PAN, 1500 WATTS, 57" LENGTH, 208-230/460 V.	200172045	\$379
AE44-140B, AE46-164B,	DEFROST HEATER, CORE, 2000 WATTS, 80-1/4" LENGTH, 208-230/460 V.	206240010	\$506
AE46-185B	DEFROST HEATER, DRAIN PAN, 2000 WATTS, 75" LENGTH, 208-230/460 V.	200172046	\$483
AE54-180B, AE56-210B	DEFROST HEATER, CORE, 2500 WATTS, 97-3/4" LENGTH, 208-230/460 V.	206240011	\$589
	DEFROST HEATER, DRAIN PAN, 2500 WATTS, 93" LENGTH, 208-230/460 V.	200172047	\$544
AE64-215B, AE66-245B,	DEFROST HEATER, CORE, 3000 WATTS, 115-3/4" LENGTH, 208-230/460 V.	206240012	\$623
AE66-280B	DEFROST HEATER, DRAIN PAN, 3000 WATTS, 111" LENGTH, 208-230/460 V.	200172048	\$610
1 FAN AA, & AE MODELS	DRAIN PAN, 27" LENGTH	20927501	\$410
AA28-76B, -97B, -122B,	DRAIN PAN, 41" LENGTH	20927502	\$460
AA26-70B, -87B, AE26-60B, 26-75B			
AA28-106B, -134B, AA26-115B	DRAIN PAN, 45" LENGTH	20927503	\$460
AE26-92B, AE24-72B, -85B			
3 FAN AA & AE MODELS	DRAIN PAN, 63" LENGTH	20927601	\$509
4 FAN AA & AE MODELS*	DRAIN PAN, 81" LENGTH	20927602	\$708
5 FAN AA & AE MODELS*	DRAIN PAN, 99" LENGTH	20927701	\$776
6 FAN AA & AE MODELS*	DRAIN PAN, 117" LENGTH	20927702	\$836
ALL-TEMP <sup>2</sup> B MODELS (SP & PSC)	FAN BLADE, 12" DIAM., 24° PITCH, CW (For use with SP & PSC motors) (Use 08221153)	107943000	NLA
ALL-TEMP <sup>2</sup> B MODELS (SP & PSC)	FAN BLADE, 12" DIAM., 24° PITCH, CW (For use with SP & PSC motors)	08221153	\$83
1 - 3 FAN AE MODELS	FAN GUARD, PLASTIC, LOW THROW - NO LONGER AVAILABLE	NLA	-
ALL MODELS (OPTIONAL)	FAN GUARD, PLASTIC, HIGH THROW, BLACK, 12"	205925001	\$144
ALL MODELS (OPTIONAL)	FAN GUARD, WIRE, EPOXY COATED, BLUE, 12"	NLA	-
ALL MODELS	FAN GUARD, PLASTIC, BLACK, 12"	119647000	\$103
ALL MODELS	FAN GUARD, WIRE, EPOXY COATED, BLACK, 12"	201006011	\$103
ALL-TEMP MODELS (SP & PSC)	MOTOR MOUNT (For use with Shaded Pole & PSC motors)	21062000	\$142
ALL-TEMP <sup>2</sup> B MODELS	MOTOR, SHADED POLE, 1/20 HP, 1550 RPM, 115 V. (USE 08216072)	102540003	NLA
	MOTOR, SHADED POLE, 1/20 HP, 1550 RPM, 115 V.	08216072	\$220
	MOTOR, SHADED POLE, 1/20 HP, 1550 RPM, 208-230 V. (USE 08216071)	102540004	\$220
	MOTOR, SHADED POLE, 1/20 HP, 1550 RPM, 208-230 V.	08216071	\$220
	MOTOR, SHADED POLE, 1/20 HP, 1550 RPM, 460 V. (Use 08216034)	102540005	NLA
	MOTOR, SHADED POLE, 1/20 HP, 1550 RPM, 460 V.	08216034	\$324
ALL-TEMP <sup>2</sup> B MODELS	MOTOR, PSC, 1/20 HP, 1550 RPM, 115 V. (USE 08216074)	108178001	NLA
	MOTOR, PSC, 1/20 HP, 1550 RPM, 115 V.	08216074	\$303
	MOTOR, PSC, 1/20 HP, 1550 RPM, 230 V. (USE 08216073)	108178002	NLA
	MOTOR, PSC, 1/20 HP, 1550 RPM, 230 V.	08216073	\$344
	CAPACITOR, 3 MFD, FOR 1/20 115 V. PSC MOTOR	202163010	\$48
	CAPACITOR, 2 MFD, FOR 1/20 230 V. PSC MOTOR	202163009	\$53
ALL-TEMP <sup>2</sup> B MODELS (EC Motor)	FAN BLADE, 12" DIAM., 24° PITCH, CW (For use with EC Motors)	08221175	\$79
ALL-TEMP <sup>2</sup> B MODELS (EC Motor)	MOTOR MOUNT LEG (For use with EC Motors) (3 required for complete mount)	08522938	\$45
EC MOTORS FOR	MOTOR, ECM, 50 WATT, 1550 RPM, 115 V, CCW	08216124	\$674
ALL-TEMP <sup>2</sup> B MODELS	MOTOR, ECM, 50 WATT, 1550 RPM, 230 V, CCW	08216125	\$694
ECM RETRO-FIT KIT FOR	115 V MOTOR, KIT INCLUDES MOTOR, HARDWARE, MOUNT, & BLADE	08523048	NLA
ALL-TEMP <sup>2</sup> B MODELS	230 V MOTOR, KIT INCLUDES MOTOR, HARDWARE, MOUNT, & BLADE	08523049	NLA

\* ALL 4 - 6 FAN MODEL DRAIN PANS MUST VIA COMMON CARRIER ONLY, NO UPS.

NLA - NO LONGER AVAILABLE

**SURVEILLANT DEMAND DEFROST CONTROLLER REPLACEMENT PARTS**

Demand Defrost Control Parts	Surveillant Evaporator Control	08219537	\$2,728
	Electronic Expansion Valve - less cable	08219539	\$528
	EEV power cable for AA/AE evaporator	08219516	\$270
	EEV Power Cable for CTA/CTE evaporators	08219517	\$268
	Return Air Temperature Sensor for AA/AE	08219522	\$156
	Return Air Temperature Sensor for CTA/CTE	08219523	\$156
	Air sensor mounting wire	08219978	\$10
	Coil Temperature sensor for AA/AE	08219524	\$156
	Coil Temperature sensor for CTA/CTE	08219525	\$156
	Coil Temperature sensor for CTA/CTE (AUX)	08219526	\$156
	Suction Temperature sensor for AA/AE	08219520	\$156
	Suction Temperature sensor for CTA/CTE	08219521	\$156
	Transducer only - No cable	08219981	\$416
	Transducer Cable for AA/AE evaporators	08219518	\$217
	Transducer Cable for CTA/CTE	08219519	\$217
	Strain relief wire	08219528	\$4
	Smartgate Router	08219541	\$3,235

**ALL-TEMP<sup>2</sup>B - MODELS AA-B, AE-B, AG-B, AH-B (BUILT AFTER APRIL, 2004)**  
**HINGED END PANEL UNITS (REPLACEMENT HOUSING)**

MODEL NUMBER	DESCRIPTION	PART NUMBER	LIST PRICE
1 FAN AA, & AE MODELS	VENTURI, 20" LENGTH	08519104	\$345
AA28-76B, -97B, -122B, AA26-70B, -87B, AE26-60B, AE26-75B	VENTURI, 34" LENGTH	08519241	\$370
AA28-106B, -134B, AA26-115B AE26-92B, AE24-85B	VENTURI, 38" LENGTH	08519242	\$370
3 FAN AA & AE MODELS	VENTURI, 56" LENGTH	08519243	\$388
4 FAN AA & AE MODELS	VENTURI, 74" LENGTH	08519244	\$410
5 FAN AA & AE MODELS	VENTURI, 92" LENGTH	08519245	\$430
6 FAN AA & AE MODELS	VENTURI, 110" LENGTH	08519246	\$448
SHORT (ELECTRICAL END)	HINGED END PANEL	08518612	\$158
LONG (HEADER END)	HINGED END PANEL	08518613	\$158

**FOLLOWING HOT GAS DRAIN PANS ARE FOR UNITS PRODUCED AFTER AUGUST 3, 1992.**  
**FOR EARLIER VINTAGE USE THE ABOVE LISTED AA/AE DRAIN PANS.**

MODEL NUMBER	DESCRIPTION	PART NUMBER	LIST PRICE
1 FAN AG, & AH MODELS	DRAIN PAN, 27" LENGTH - AFTER 8/3/92, ELSE USE EQUIV. AA/AE DRAIN PAN	20935800	\$410
AG26-60B, AH26-60B, AG26-75B, AH26-75B	DRAIN PAN, 41" LENGTH - AFTER 8/3/92, ELSE USE EQUIV. AA/AE DRAIN PAN	20935900	\$460
AG26-92B, AH26-92B	DRAIN PAN, 45" LENGTH - AFTER 8/3/92, ELSE USE EQUIV. AA/AE DRAIN PAN	20936000	\$460
3 FAN AG, & AH MODELS	DRAIN PAN, 63" LENGTH - AFTER 8/3/92, ELSE USE EQUIV. AA/AE DRAIN PAN	20936100	\$509
4 FAN AG, & AH MODELS*	DRAIN PAN, 81" LENGTH - AFTER 8/3/92, ELSE USE EQUIV. AA/AE DRAIN PAN	20936200	\$708
5 FAN AG, & AH MODELS*	DRAIN PAN, 99" LENGTH - AFTER 8/3/92, ELSE USE EQUIV. AA/AE DRAIN PAN	20936300	\$776
6 FAN AG, & AH MODELS*	DRAIN PAN, 117" LENGTH - AFTER 8/3/92, ELSE USE EQUIV. AA/AE DRAIN PAN	20936400	\$836

\* ALL 4 - 6 FAN MODEL DRAIN PANS SHIP VIA COMMON CARRIER ONLY, NO UPS.

**ALL-TEMP<sup>2</sup> - MODELS AA, AE, AG, AH (BUILT BEFORE OCTOBER 1, 1991)**

1 - 3 FAN AE MODELS	DEFROST CONTROL, NON-ADJUSTABLE, 3 WIRE	103079005	\$142
4 - 6 FAN AE MODELS	DEFROST CONTROL, ADJUSTABLE, RANCO F-25	204464037	\$379
1 - 6 FAN AE MODELS	HEATER SAFETY SWITCH, 2 WIRE	103079003	\$130
AE16-36	DEFROST HEATER, CORE, 1000 WATTS, 26" LENGTH, 208-230 V.	NLA	-
AE16-36	DEFROST HEATER, CORE, 1000 WATTS, 26" LENGTH, 460 V.	NLA	-
AE16-46, AE16-41, AE14-37	DEFROST HEATER, CORE, 500 WATTS, 26-1/4" LENGTH, 208-230/460 V.	206240006	\$399
	DEFROST HEATER, DRAIN PAN, 500 WATTS, 21" LENGTH, 208-230/460 V.	200172042	\$308
AE26-60	DEFROST HEATER, CORE, 2000 WATTS, 40-1/4" LENGTH, 208-230/460 V.	NLA	-
	DEFROST HEATER, DRAIN PAN, 800 WATTS, 35" LENGTH, 208-230/460 V.	200172043	\$308
AE26-75	DEFROST HEATER, CORE, 800 WATTS, 40-1/4" LENGTH, 208-230/460 V.	206240007	\$318
	DEFROST HEATER, DRAIN PAN, 800 WATTS, 35" LENGTH, 208-230/460 V.	200172043	\$308
AE26-92, AE24-85, AE24-72	DEFROST HEATER, CORE, 1000 WATTS, 44-1/4" LENGTH, 208-230/460 V.	206240008	\$342
	DEFROST HEATER, DRAIN PAN, 1000 WATTS, 39" LENGTH, 208-230/460 V.	200172044	\$318
AE36-140, AE36-120, AE34-105	DEFROST HEATER, CORE, 1500 WATTS, 62-1/4" LENGTH, 208-230/460 V.	206240009	\$398
	DEFROST HEATER, DRAIN PAN, 1500 WATTS, 57" LENGTH, 208-230/460 V.	200172045	\$379
AE46-164, AE46-185, AE44-140	DEFROST HEATER, CORE, 2000 WATTS, 80-1/4" LENGTH, 208-230/460 V.	206240010	\$506
	DEFROST HEATER, DRAIN PAN, 2000 WATTS, 75" LENGTH, 208-230/460 V.	200172046	\$483
AE56-210, AE54-180	DEFROST HEATER, CORE, 2500 WATTS, 97-3/4" LENGTH, 208-230/460 V.	206240011	\$589
	DEFROST HEATER, DRAIN PAN, 2500 WATTS, 93" LENGTH, 208-230/460 V.	200172047	\$544
AE66-280, AE66-245, AE64-215	DEFROST HEATER, CORE, 3000 WATTS, 115-3/4" LENGTH, 208-230/460 V.	206240012	\$623
	DEFROST HEATER, DRAIN PAN, 3000 WATTS, 111" LENGTH, 208-230/460 V.	200172048	\$610
ALL ALL-TEMP2 MODELS	FAN BLADE, 12" DIAM., 24" PITCH, CW (USE 08221153)	107943000	NLA
ALL ALL-TEMP2 MODELS	FAN BLADE, 12" DIAM., 24" PITCH, CW	08221153	\$83
1 - 3 FAN AE MODELS	FAN GUARD, PLASTIC, LOW THROW - NO LONGER AVAILABLE, SUBSTITUTE WIRE, EPOXY COATED, 12" FAN GUARD	201006011	\$103
4 - 6 FAN AE MODELS	FAN GUARD, PLASTIC, HIGH THROW, BLACK, 12"	205925001	\$144
ALL MODELS	FAN GUARD, WIRE, EPOXY COATED, 12"	NLA	-
ALL MODELS	MOTOR MOUNT	21062000	\$142
ALL MODELS (OPTIONAL)	MOTOR, PSC, 1/20 HP, 1550 RPM, 115 V., (3 MFD CAPACITOR NOT INCLUDED) (USE 08216074)	108178001	NLA
	MOTOR, PSC, 1/20 HP, 1550 RPM, 115 V., (3 MFD CAPACITOR NOT INCLUDED)	08216074	\$303
	MOTOR, PSC, 1/20 HP, 1550 RPM, 230 V., (2 MFD CAPACITOR NOT INCLUDED) (USE 08216073)	108178002	NLA
	MOTOR, PSC, 1/20 HP, 1550 RPM, 230 V., (2 MFD CAPACITOR NOT INCLUDED)	08216073	\$344
	CAPACITOR, 3 MFD, FOR 1/20 115 V. PSC MOTOR	202163010	\$48
	CAPACITOR, 2 MFD, FOR 1/20 230 V. PSC MOTOR	202163009	\$53
ALL MODELS	MOTOR, SHADED POLE, 1/20 HP, 1550 RPM, 115 V. (USE 08216072)	102540003	NLA
	MOTOR, SHADED POLE, 1/20 HP, 1550 RPM, 115 V.	08216072	\$220
	MOTOR, SHADED POLE, 1/20 HP, 1550 RPM, 208-230 V. (USE 08216071)	102540004	\$220
	MOTOR, SHADED POLE, 1/20 HP, 1550 RPM, 208-230 V.	08216071	\$220
	MOTOR, SHADED POLE, 1/20 HP, 1550 RPM, 460 V. (use 08216034)	102540005	NLA
	MOTOR, SHADED POLE, 1/20 HP, 1550 RPM, 460 V.	08216034	\$324

\* ALL 4 - 6 FAN MODEL DRAIN PANS MUST VIA COMMON CARRIER ONLY, NO UPS.

NLA - NO LONGER AVAILABLE

† NOT STOCKED - MANUFACTURED PART.

**ALL- TEMP - MODELS AL (BUILT BEFORE JUNE 1990)**

MODEL NUMBER	DESCRIPTION	PART NUMBER	LIST PRICE
AL14-34, AL15-41, AL16-46	DEFROST HEATERS, CORE, 780 WATTS, 20" LENGTH, 208-230 V. (2 REQ'D)	200172021	\$241
	DRAIN PAN (13-1/4" width)	NLA	-
AL24-40, AL25-50, AL26-46	DEFROST HEATER, CORE, 1550 WATTS, 38" LENGTH, 208-230 V.	200172024	\$318
	DEFROST HEATER, CORE, 1550 WATTS, 38" LENGTH, 460 V.	NLA	-
	DRAIN PAN (13-1/4" width)	NLA	-
AL24-53, AL24-68, AL25-64 AL25-82, AL26-72, AL26-56, AL26-92, XAL28-104E	DEFROST HEATERS, CORE, 1550 WATTS, 38" LENGTH, 208-230 V. (2 REQ'D)	200172024	\$318
	DEFROST HEATERS, CORE, 1550 WATTS, 38" LENGTH, 460 V. (2 REQ'D)	NLA	-
	DRAIN PAN (13-1/4" width)	NLA	-
AL34-80, AL34-102, AL34-111 AL35-96, AL35-123, AL36-110, AL36-139	DEFROST HEATERS, CORE, 2200 WATTS, 56" LENGTH, 208-230 V. (2 REQ'D)	200172027	\$379
	DEFROST HEATERS, CORE, 2200 WATTS, 56" LENGTH, 460 V. (2 REQ'D)	NLA	-
	DRAIN PAN (13-1/4" width)	NLA	-
AL44-136, AL45-164, AL46-185	DEFROST HEATERS, CORE, 1220 WATTS, 30" LENGTH, 208-230 V. (2 REQ'D)	200172023	\$357
	DEFROST HEATERS, CORE, 1760 WATTS, 42" LENGTH, 208-230 V. (2 REQ'D)	200172025	\$659
	DEFROST HEATERS, CORE, 1220 WATTS, 30" LENGTH, 460 V. (2 REQ'D)	NLA	-
	DEFROST HEATERS, CORE, 1760 WATTS, 42" LENGTH, 460 V. (2 REQ'D)	NLA	-
	DRAIN PAN* (13-1/4" width)	NLA	-
AL54-170, AL55-205, AL56-230	DEFROST HEATERS, CORE, 1760 WATTS, 42" LENGTH, 208-230 V. (2 REQ'D)	200172025	\$659
	DEFROST HEATERS, CORE, 1970 WATTS, 48" LENGTH, 208-230 V. (2 REQ'D)	200172026	\$342
	DEFROST HEATERS, CORE, 1760 WATTS, 42" LENGTH, 460 V. (2 REQ'D)	NLA	-
	DEFROST HEATERS, CORE, 1970 WATTS, 48" LENGTH, 460 V. (2 REQ'D)	NLA	-
	DRAIN PAN* (13-1/4" width)	NLA	-
AL64-204, AL65-246, AL66-276	DEFROST HEATERS, CORE, 1970 WATTS, 48" LENGTH, 208-230 V. (2 REQ'D)	200172026	\$342
	DEFROST HEATERS, CORE, 2480 WATTS, 60" LENGTH, 208-230 V. (2 REQ'D)	200172028	\$379
	DEFROST HEATERS, CORE, 1970 WATTS, 48" LENGTH, 460 V. (2 REQ'D)	NLA	-
	DEFROST HEATERS, CORE, 2480 WATTS, 60" LENGTH, 460 V. (2 REQ'D)	200172018	\$552
	DRAIN PAN* (13-1/4" width)	NLA	-
ALL MODELS	DEFROST CONTROL, NON-ADJUSTABLE, 3 WIRE	103079002	\$142
ALL MODELS	FAN BLADE, 10" DIAM., 31° PITCH, CW, HUBLESS	204395017	\$50
ALL MODELS	FAN GUARD, PLASTIC, HI-THROW 10" ROUND	NLA	-
ALL MODELS	FAN GUARD, WIRE, EPOXY COATED, BLACK, 10"	08397002	\$103
ALL MODELS	FAN GUARD, WIRE, EPOXY COATED, WHITE, 10"	08397053	\$103
ALL MODELS	MOTOR MOUNT	10243000	\$103
ALL MODELS	MOTOR, SHADED POLE, 16 WATT, 1550 RPM, 115 V. CCW	103104007	\$203
	MOTOR, SHADED POLE, 16 WATT, 1550 RPM, 230 V. CCW	103104008	\$203

\* ALL 4 - 6 FAN MODEL DRAIN PANS SHIP VIA COMMON CARRIER ONLY, NO UPS.

NLA - NO LONGER AVAILABLE

**ALL-TEMP - MODELS AL-B (BUILT AFTER JUNE 1990)**

MODEL NUMBER	DESCRIPTION	PART NUMBER	LIST PRICE
AL14-34B, AL15-41B, AL16-46B	DEFROST HEATER, CORE, 500 WATTS, 24" LENGTH, 208-230/460 V.	206240006	\$399
	DEFROST HEATERS, DRAIN PAN, 500 WATTS, 20" LENGTH, 208-230/460 V.	200172042	\$308
	DRAIN PAN (9-1/4" WIDTH)	NLA	-
AL24-40B, AL24-53B, AL25-50B, AL25-64B, AL26-56B, AL26-72B	DEFROST HEATER, CORE, 2000 WATTS, 43" LENGTH, 208-230 V.	NLA	-
	DEFROST HEATER, CORE, 2000 WATTS, 43" LENGTH, 460 V.	NLA	-
	DRAIN PAN (9-1/4" WIDTH)	NLA	-
AL24-68B, AL25-82B, AL26-92B	DEFROST HEATER, CORE, 1000 WATTS, 44-1/4" LENGTH, 208-230/460 V.	206240008	\$342
	DEFROST HEATERS, DRAIN PAN, 1000 WATTS, 38" LENGTH, 208-230/460 V.	200172044	\$318
	DRAIN PAN (9-1/4" WIDTH)	NLA	-
AL34-80B, AL34-102B, AL34-111B, AL35-96B, AL35-123B, AL36-110B, AL36-139B	DEFROST HEATER, CORE, 1500 WATTS, 62" LENGTH, 208-230/460 V.	206240009	\$398
	DEFROST HEATERS, DRAIN PAN, 1500 WATTS, 56" LENGTH, 208-230/460 V.	200172045	\$379
	DRAIN PAN (9-1/4" WIDTH)	NLA	-
AL44-136B, AL45-164B, AL46-185B	DEFROST HEATER, CORE, 2000 WATTS, 80-1/4" LENGTH, 208-230/460 V.	206240010	\$506
	DEFROST HEATERS, DRAIN PAN, 2000 WATTS, 74" LENGTH, 208-230/460 V.	200172046	\$483
	DRAIN PAN* (9-1/4" WIDTH)	NLA	-
AL54-170B, AL55-205B, AL56-230B	DEFROST HEATER, CORE, 2500 WATTS, 96" LENGTH, 208-230/460 V.	206240011	\$589
	DEFROST HEATERS, DRAIN PAN, 2500 WATTS, 92" LENGTH, 208-230/460 V.	200172047	\$544
	DRAIN PAN* (9-1/4" WIDTH)	NLA	-
AL64-204B, AL65-246B, AL66-276B	DEFROST HEATER, CORE, 3000 WATTS, 115-3/4" LENGTH, 208-230/460 V.	206240012	\$623
	DEFROST HEATERS, DRAIN PAN, 3000 WATTS, 100" LENGTH, 208-230/460 V.	200172048	\$610
	DRAIN PAN* (9-1/4" WIDTH)	NLA	-
ALL MODELS	DEFROST CONTROL, NON-ADJUSTABLE, 3 WIRE	103079002	\$142
ALL MODELS	FAN BLADE, 10" DIAM., 31° PITCH, CW, HUBLESS	NLA	-
ALL MODELS	FAN GUARD, WIRE, EPOXY COATED, BLACK, 10"	08397002	\$103
ALL MODELS	FAN GUARD, WIRE, EPOXY COATED, WHITE, 10"	08397053	\$103
ALL MODELS	FAN GUARD, PLASTIC, HI-THROW 10" ROUND	NLA	-
ALL MODELS	MOTOR MOUNT	10243000	\$103
ALL MODELS	MOTOR, SHADED POLE, 16 WATT, 1550 RPM, 115 V. CCW	103104007	\$203
	MOTOR, SHADED POLE, 16 WATT, 1550 RPM, 230 V. CCW	103104008	\$203

\* ALL 4 - 6 FAN MODEL DRAIN PANS SHIP VIA COMMON CARRIER ONLY, NO UPS.

NLA - NO LONGER AVAILABLE

**CEILING TEMP - MODELS CTA, CTE**

MODEL NUMBER	DESCRIPTION	PART NUMBER	LIST PRICE
ALL MODELS	DEFROST CONTROL, DEFROST TERMINATION, (TIMER RESET) 2 WIRE (USE 08219273)	103079010	NLA
ALL MODELS	DEFROST CONTROL, DEFROST TERMINATION, (TIMER RESET) 2 WIRE	08219273	\$142
ALL MODELS	DEFROST CONTROL, FAN DELAY, 2 WIRE	103079009	\$142
CTE34-48, CTE34-58, CTE34-65, CTE36-53, CTE36-62, CTE36-69	DEFROST HEATERS, CORE, 1037 WATTS, 55" LENGTH, 208-230/460 V. (2 REQ'D)	208579001	\$396
CTE44-72, CTE44-84, CTE44-95, CTE46-77, CTE46-90, CTE46-100	DEFROST HEATERS, 1490 WATTS, 79" LENGTH, 208-230/460 V. (2 REQ'D)	208579002	\$540
CTE54-115, CTE44-128, CTE44-152 CTE54-145, CTE64-173, CTE56-125, CTE46-140, CTE56-160, CTE66-218	DEFROST HEATERS, 1943 WATTS, 103 LENGTH, 208-230/460 V. (2 REQ'D)	208579003	\$594

**SPECIFY DRAIN CONNECTION LOCATION WHEN ORDERING CTA/CTE DRAIN PANS, BOTTOM OR SIDE.\***

ALL 3 FAN CTA/CTE MODELS	DRAIN PAN, 58-1/2 LENGTH, SPECIFY DRAIN CONNECTION LOCATION	20860901	\$567
ALL 4 FAN CTA/CTE MODELS EXCEPT AS FOLLOWS	DRAIN PAN, 82-1/2 LENGTH, SPECIFY DRAIN CONNECTION LOCATION	20861001	\$721
CTA46-190, CTA48-210, CTE44-128, CTE46-140	DRAIN PAN, 106-1/2 LENGTH, SPECIFY DRAIN CONNECTION LOCATION	20861101	\$830
ALL 5 FAN CTA/CTE MODELS	DRAIN PAN, 106-1/2 LENGTH, SPECIFY DRAIN CONNECTION LOCATION	20861201	\$830
ALL 6 FAN CTA/CTE MODELS	DRAIN PAN, 106-1/2 LENGTH, SPECIFY DRAIN CONNECTION LOCATION	20861301	\$862
ALL MODELS	FAN BLADE, 10" DIAM., 31° PITCH, CCW, HUBLESS	204395018	\$55
ALL MODELS	FAN GUARD, PLASTIC, 12" (BLACK)	119647000	\$103
ALL MODELS (OPTIONAL)	FAN GUARD, WIRE, EPOXY COATED, 12", (BLACK) [OPTIONAL]	201006011	\$103
ALL MODELS	HEATER SAFETY SWITCH, 2 WIRE	103079003	\$130
ALL MODELS (OPTIONAL) Shaded Pole Motors	MOTOR, <b>SHADED POLE</b> , 16 WATT, 1550 RPM, 115 V.	103104007	\$203
	MOTOR, <b>SHADED POLE</b> , 16 WATT, 1550 RPM, 230 V.	103104008	\$203
ALL MODELS (OPTIONAL) Permanent Split Capacitor Motors	MOTOR, <b>PSC</b> , 16 WATT, 1550 RPM, 115 V.	107933001	\$413
	CAPACITOR, 5 MFD, FOR 16 WATT 115 V. PSC MOTOR	202163004	\$49
	MOTOR, <b>PSC</b> , 16 WATT, 1550 RPM, 230 V. (USE 107933003)	107933002	NLA
	CAPACITOR, 1.2 MFD, FOR 16 WATT 230 V. PSC MOTOR (Not required for 107933003)	202163015	\$53
<b>ALL MODELS</b>	<b>MOTOR, ECM, 16 WATT, 1550 RPM, 115V</b>	<b>107933006</b>	<b>718</b>
<b>EC MOTORS</b>	<b>MOTOR, ECM, 16 WATT, 1550 RPM, 230V</b>	<b>107933003</b>	<b>745</b>
ALL MODELS	MOTOR, MOUNT	10243000	\$103

\* ALL CEILING-TEMP DRAIN PANS SHIP VIA COMMON CARRIER ONLY, NO UPS.

**FLOW TEMP — MODELS RWF**

RWF050, 100, 130, 160, 190, 220, 270, 340	115/230 VOLT - FAN BLADE, 10 IN. DIA., 31° PITCH, CCW, HUBLESS	204395018	\$55
RWF - 075	115/230 VOLT - FAN BLADE, 10 IN. DIA., 20° PITCH, CCW, HUBLESS	204395016	\$55
RWF-050, 100, 130, 160, 190, 220, 270, 340	460V - FAN BLADE, 10 IN. DIA., 28° PITCH, CCW	08221007	\$55
RWF - 075	460V - FAN BLADE, 10 IN. DIA., 13° PITCH, CCW	08221005	\$55
All Models	FAN GUARD, 12 IN. BLACK PLASTIC	119647000	\$103
	MOTOR MOUNT (Except for 460V PSC motor, See Below)	10243000	\$103
All Models - EC MOTORS	MOTOR, EC, 16W, 1550 RPM, 115V	107933006	\$718
	MOTOR, EC, 16W, 1550 RPM, 230V	107933003	\$745
	MOTOR MOUNT	10243000	\$103
All Models - PSC MOTORS (Optional)	MOTOR, PSC, 16 WATT, 1550 RPM, 115 V.	107933001	\$413
	CAPACITOR, 5 MFD, FOR 16 WATT 115 V. PSC MOTOR	202163004	\$49
	MOTOR, PSC, 16W, 1550 RPM, 460V	08216135	\$449
	MOTOR MOUNT, 460V PSC	0825489400	\$103
All Models - SHADED POLE MOTORS (Optional)	MOTOR, SHADED POLE, 16 WATT, 1550 RPM, 115 V.	103104007	\$203
	MOTOR, SHADED POLE, 16 WATT, 1550 RPM, 230 V.	103104008	\$203
RWF - 050	DRAIN PAN/VENTURI PANEL	0852507601	\$477
RWF - 075, 100	DRAIN PAN/VENTURI PANEL, 2 FAN	0852507701	\$653
RWF - 130, 160	DRAIN PAN/VENTURI PANEL, 3 FAN	0852507801	\$724
RWF - 190, 220	DRAIN PAN/VENTURI PANEL, 4 FAN	0852507901	\$830
RWF - 270	DRAIN PAN/VENTURI PANEL, 5 FAN	0852508001	\$943
RWF - 340	DRAIN PAN/VENTURI PANEL, 6 FAN	0852508101	\$1,026
RWF - 050 (Optional)	DRAIN PAN/VENTURI PANEL, 1 FAN, WHITE PAINTED	0852507607	\$712
RWF - 075, 100 (Optional)	DRAIN PAN/VENTURI PANEL, 2 FAN, WHITE PAINTED	0852507707	\$899
RWF - 130, 160 (Optional)	DRAIN PAN/VENTURI PANEL, 3 FAN, WHITE PAINTED	0852507807	\$1,094
RWF - 190, 220 (Optional)	DRAIN PAN/VENTURI PANEL, 4 FAN, WHITE PAINTED	0852507907	\$1,102
RWF - 270 (Optional)	DRAIN PAN/VENTURI PANEL, 5 FAN, WHITE PAINTED	0852508000	\$1,226
RWF - 340 (Optional)	DRAIN PAN/VENTURI PANEL, 6 FAN, WHITE PAINTED	0852508107	\$1,310

RWF - 050	DEFROST HEATER 545W, 42 IN. LONG (2 PER UNIT)	0821500901	\$367
RWF - 075, 100	DEFROST HEATER 545W, 61 IN. LONG (2 PER UNIT)	0821500902	\$392
RWF - 130, 160, 190, 220	DEFROST HEATER 1305W, 79 IN. LONG (2 PER UNIT)	0821500903	\$452
RWF - 270	DEFROST HEATER 2180W, 90 IN. LONG (2 PER UNIT)	0821500904	\$512
RWF - 340	DEFROST HEATER 2725W, 114 IN. LONG (2 PER UNIT)	0821500905	\$579

All Electric and Hot Gas Defrost Models	DEFROST CONTROL, TERMINATION (STANDARD) (USE 08219273)	103079010	NLA
	DEFROST CONTROL, TERMINATION (STANDARD)	08219273	\$142
	DEFROST CONTROL, ADJUSTABLE (OPTIONAL)	204464037	\$379
	DEFROST CONTROL, HEATER SAFETY (STANDARD)	103079003	\$130



## FLOW TEMP - MODELS FL, FL-E, FL-G, FL-H

MODEL NUMBER	DESCRIPTION	PART NUMBER	LIST PRICE
ALL MODELS	DEFROST CONTROL, DEFROST TERMINATION, (TIMER RESET) 2 WIRE (USE 08219273)	103079010	NLA
ALL MODELS	DEFROST CONTROL, FAN DELAY, 2 WIRE	08219273	\$142
ALL 2 FAN MODELS, FL36-100, FL36-135, FL46-180 MODELS	FAN BLADES, 10" DIAM., 20° PITCH, CCW, HUBLESS	204395016	\$55
ALL FL36-160, FL46-220, FL46-265 AND FL56-370	FAN BLADES, 10" DIAM., 31° PITCH, CCW, HUBLESS	204395018	\$55
ALL FL MODELS	FAN GUARD, PLASTIC, 12" (BLACK)	119647000	\$103
ALL FL MODELS	FAN GUARD, WIRE, EPOXY COATED, 12" (BLACK)	201006011	\$103
ALL FL MODELS	HEATER SAFETY SWITCH, 2 WIRE	103079003	\$130
ALL FL MODELS	MOTOR MOUNT	10243000	\$103
ALL 2 FAN MODELS AND ALL FL36-100 MODELS	MOTOR, <b>SHADED POLE</b> , 9 WATT, 1550 RPM, 115 V.	103104004	\$171
FL36-135, FL36-160 MODELS	MOTOR, <b>SHADED POLE</b> , 9 WATT, 1550 RPM, 230 V.	20192600	\$171
ALL 4 AND 5 FAN MODELS	MOTOR, <b>SHADED POLE</b> , 16 WATT, 1550 RPM, 115 V.	103104007	\$203
ALL FL MODELS (OPTIONAL)	MOTOR, <b>SHADED POLE</b> , 16 WATT, 1550 RPM, 230 V.	103104008	\$203
Permanent Split Capacitor Motors	MOTOR, <b>PSC</b> , 16 WATT, 1550 RPM, 115 V.	107933001	\$413
	CAPACITOR, 5 MFD, FOR 16 WATT 115 V. PSC MOTOR	202163004	\$49
	MOTOR, <b>PSC</b> , 16 WATT, 1550 RPM, 230 V., (No Longer Available. use 107933003)	107933002	NLA
	CAPACITOR, 1.2 MFD, FOR 16 WATT 230 V. PSC MOTOR (Not required for 107933003)	202163015	\$53
ALL MODELS	MOTOR, <b>ECM</b> , 16 WATT, 1550 RPM, 115V	107933006	\$718
EC MOTOR	MOTOR, <b>ECM</b> , 16 WATT, 1550 RPM, 230V	107933003	\$745

### FOLLOWING HEATERS ARE FOR UNITS PRODUCED BEFORE APRIL 1, 1988.

FL26-67E	DEFROST HEATERS, CORE, 1970 WATTS, 48" LENGTH, 208-230 V. (2 REQ'D)	200172026	\$342
	DEFROST HEATERS, CORE, 1970 WATTS, 48" LENGTH, 460 V. (2 REQ'D)	200172016	NLA
FL36-100E, FL36-135E, FL36-160E	DEFROST HEATERS, CORE, 1220 WATTS, 30" LENGTH, 208-230 V (2 REQ'D)	200172023	\$357
	DEFROST HEATERS, CORE, 1760 WATTS, 42" LENGTH, 208-230 V. (2 REQ'D)	200172025	\$659
	DEFROST HEATERS, CORE, 1220 WATTS, 30" LENGTH, 460 V. (2 REQ'D)	200172013	NLA
	DEFROST HEATERS, CORE, 1760 WATTS, 42" LENGTH, 460 V. (2 REQ'D)	200172015	NLA
FL46-180E, FL46-220E, FL46-265E	DEFROST HEATERS, CORE, 1550 WATTS, 38" LENGTH, 208-230 V (2 REQ'D)	200172024	\$318
	DEFROST HEATERS, CORE, 2480 WATTS, 60" LENGTH, 208-230 V. (2 REQ'D)	200172028	\$379
	DEFROST HEATERS, CORE, 1760 WATTS, 42" LENGTH, 460 V. (2 REQ'D)	200172015	NLA
	DEFROST HEATERS, CORE, 2200 WATTS, 56" LENGTH, 460 V. (2 REQ'D)	200172017	\$552

### FOLLOWING HEATERS ARE FOR UNITS PRODUCED BETWEEN APRIL 1, 1988 AND APRIL 1, 1994

FL26-67E	DEFROST HEATERS, CORE, 1970 WATTS, 50" LENGTH, 208-230/460 V. (2 REQ'D)	205221020	\$341
FL36-100E	DEFROST HEATERS, CORE, 2980 WATTS, 74" LENGTH, 208-230/460 V. (2 REQ'D)	205221021	\$383
FL36-135E, FL36-160E	DEFROST HEATERS, CORE, 2980 WATTS, 75" LENGTH, 208-230/460 V. (2 REQ'D)	200172049	\$383
FL46-180E, FL46-220E †	DEFROST HEATERS, CORE, 1550 WATTS, 38" LENGTH, 208-230 V. (2 REQ'D)	200172024	\$318
FL46-265E †	DEFROST HEATERS, CORE, 2480 WATTS, 60" LENGTH, 208-230 V. (2 REQ'D)	200172028	\$379

### FOLLOWING HEATERS ARE FOR UNITS PRODUCED AFTER APRIL 1, 1994

FL26-67E	DEFROST HEATERS, CORE, 1970 WATTS, 50" LENGTH, 208-230/460 V. (2 REQ'D)	205221020	\$341
FL36-100E	DEFROST HEATERS, CORE, 2980 WATTS, 74" LENGTH, 208-230/460 V. (2 REQ'D)	205221021	\$383
FL36-135E, FL36-160E	DEFROST HEATERS, CORE, 2980 WATTS, 75" LENGTH, 208-230/460 V. (2 REQ'D)	200172049	\$383
FL46-180E, FL46-220E,	DEFROST HEATERS, CORE, 1550 WATTS, 38" LENGTH, 208-230/460 V. (2 REQ'D)	200172024	\$318
FL46-265E	DEFROST HEATERS, CORE, 2480 WATTS, 60" LENGTH, 208-230/460 V. (2 REQ'D)	200172028	\$379
FL56-370E	DEFROST HEATERS, CORE, 2480 WATTS, 60" LENGTH, 208-230/460 V. (4 REQ'D)	200172028	\$379

### FOLLOWING DRAIN PANS ARE FOR UNITS PRODUCED BEFORE APRIL 1, 1991.

2 FAN MODELS	DRAIN PANS, PAINTED (WHITE)	NLA	—
3 FAN FL MODELS	DRAIN PANS, PAINTED (WHITE)	NLA	—
4 FAN FL MODELS	DRAIN PANS, PAINTED (WHITE)	NLA	—

### FOLLOWING DRAIN PANS ARE FOR UNITS PRODUCED AFTER APRIL 1, 1991. \*

2 FAN FL MODELS	DRAIN PANS	10861406	\$653
3 FAN FL MODELS	DRAIN PANS	10861407	\$724
4 FAN FL MODELS	DRAIN PANS	10861403	\$830
5 FAN FL MODEL	DRAIN PANS	10861408	\$943
2 FAN MODEL (OPTIONAL)	DRAIN PANS, PAINTED (WHITE)‡	10861406W	\$1,147
3 FAN FL MODELS (OPTIONAL)	DRAIN PANS, PAINTED (WHITE)‡	10861407W	\$1,378
4 FAN FL MODELS (OPTIONAL)	DRAIN PANS, PAINTED (WHITE)‡	10861403W	\$1,574
5 FAN FL MODEL (OPTIONAL)	DRAIN PANS, PAINTED (WHITE)‡	10861408W	\$1,736

\* ALL FLOW-TEMP DRAIN PANS SHIP VIA COMMON CARRIER, NO UPS.

NLA-NO LONGER AVAILABLE

‡ MUST ADD NOTE TO ORDER TO INCLUDE WHITE PAINTED HOUSING.

† NEED ONE OF EACH HEATER TO MAKE THE TOTAL LENGTH OF THE UNIT. ORIGINAL HEATER IS NO LONGER AVAILABLE.

**INTER TEMP - MODELS ITA, ITE, ITG, ITH PRODUCED BEFORE MARCH, 1996**

MODEL NUMBER	DESCRIPTION	PART NUMBER	LIST PRICE
ALL MODELS	FAN BLADES, 14" DIAM., 32° PITCH, CW	214100000	\$222
ALL MODELS	FAN GUARD, WIRE, EPOXY COATED, 14" (original part 213626002 - No Longer A v.)	203626003	NLA
ALL ITA 2 FAN MODELS	DRAIN PAN, 45-1/2" LENGTH*	21414700	NLA
ALL ITA 3 FAN MODELS	DRAIN PAN, 63-1/2" LENGTH*	21414800	NLA
ALL ITA 4 FAN MODELS	DRAIN PAN, 81-1/2" LENGTH*	21414900	NLA
ALL ITA 5 FAN MODELS	DRAIN PAN, 99-1/2" LENGTH*	21415000	NLA
ALL ITE, ITG, ITH MODELS	DEFROST CONTROL, ADJUSTABLE, RANCO F-25	204464037	\$379
ITE24-110, ITE24-105, ITE26-125, ITE26-270	DEFROST HEATERS, CORE, 671 WATTS, 47" LENGTH, 230 V. (4 REQ'D)	112755000	NLA
	DEFROST HEATERS, DRAIN PAN, 238 WATTS, 97-7/8" LENGTH, 230 V. (2 REQ'D)	113889000	\$379
	DRAIN PAN, 45-1/2" LENGTH*	21415100	\$510
ITE34-225, ITE36-256	DEFROST HEATERS, CORE, 959 WATTS, 65" LENGTH, 230 V. (4 REQ'D)	112756000	NLA
	DEFROST HEATERS, DRAIN PAN, 168 WATTS, 70-1/8" LENGTH, 230 V. (4 REQ'D)	113888000	NLA
	DRAIN PAN, 63-1/2" LENGTH*	21415200	NLA
ITE44-300, ITE46-340	DEFROST HEATERS, CORE, 1247 WATTS, 83" LENGTH, 230 V. (4 REQ'D)	112757000	NLA
	DEFROST HEATERS, DRAIN PAN, 213 WATTS, 88-1/4" LENGTH, 230 V. (4 REQ'D)	113887000	NLA
	DRAIN PAN, 81-1/2" LENGTH*	21415300	NLA
ITE54-380, ITE56-430	DEFROST HEATERS, CORE, 1535 WATTS, 101" LENGTH, 230 V. (4 REQ'D)	112758000	NLA
	DEFROST HEATERS, DRAIN PAN, 258 WATTS, 106-1/8" LENGTH, 230 V. (4 REQ'D)	NLA	-
	DRAIN PAN, 99-1/2" LENGTH*	21415400	NLA

**CONTACT FACTORY FOR HOT GAS DRAIN PAN PRICING**

**FOLLOWING MOTORS ARE FOR UNITS PRODUCED BEFORE JANUARY 1, 1994.**

ALL MODELS	MOTOR, SHADED POLE, 1/8 HP, 1050 RPM, 115V.(CAPACITOR NOT INCLUDED)	122830000	\$821
	MOTOR, PSC, 1/8 HP, 1050 RPM, 230V. (CAPACITOR NOT INCLUDED)	049-146	\$818
	MOTOR, SHADED POLE, 1/15 HP, 1050 RPM, 460V.	NLA	-
ALL 115V MODELS	CAPACITOR, 10 MFD, FOR 1/15 HP 115 V. PSC MOTOR	08216063	\$50
ALL 230V MODELS	CAPACITOR, 5 MFD, FOR 1/8 HP 230 V. PSC MOTOR	202163004	\$49
ALL 460V MODELS	CAPACITOR, 7.5 MFD, FOR 1/8 HP 460 V. PSC MOTOR	202163008	NLA

**OR UNITS PRODUCED BETWEEN APRIL 30, 1994 AND MARCH, 1996.**

ALL MODELS	MOTOR, PSC, 1/8 HP, 1050 RPM, 115 V., (CAPACITOR NOT INCLUDED)	122830000	\$821
	MOTOR, PSC, 1/8 HP, 1050 RPM, 230 V., (CAPACITOR NOT INCLUDED)	049-146	\$818
	MOTOR, PSC, 1/8 HP, 1050 RPM, 460 V., (CAPACITOR NOT INCLUDED)	049-175	\$870
ALL 115V MODELS	CAPACITOR, 10 MFD, FOR 1/15 HP 115 V. PSC MOTOR	08216063	\$50
ALL 230V MODELS	CAPACITOR, 5 MFD, FOR 1/8 HP 230 V. PSC MOTOR	202163004	\$49
ALL 460V MODELS	CAPACITOR, 7.5 MFD, FOR 1/8 HP 460 V. PSC MOTOR	202163006	\$53

**INTER TEMP - MODELS ITA, ITE, ITG, ITH PRODUCED AFTER MARCH, 1996**

ITA24-126,-169, ITA34-224,-287, ITA26-145,-191, ITA36-240,-305, ITA28-151,-210, ITA38-260,-320, ITE24-105, -140, ITE34-175, ITE26-130, -150, ITE36 -185	FAN BLADE, 14" 32° PITCH, CW	214100000	\$222
	FAN GUARD, 14" WIRE, EPOXY COATED, BLUE	213626002	NLA
	FAN GUARD, 14" WIRE, EPOXY COATED, BLACK	213626003	\$130
	FAN GUARD, AIR STRAIGHTENER, 14"	11344700	NLA
ITA24-340,-395, ITA34-465,-585 ITA26-370,ITA36-415, -490,-620 ITA28-410,-450, ITA38-540,-690 ITE24-230,-325, ITE34-390,-510 ITE26-270, ITE26-320, ITE36-385 ITE36-460, ITE36-520	FAN BLADE, 20" 25° PITCH, CW	213456000	\$300
	FAN GUARD, WIRE, EPOXY COATED, 20"	213484000	\$245
	FAN GUARD, AIR STRAIGHTENER, 20"	10692300	\$418

\* INTER -TEMP DRAIN PANS MUST SHIP COMMON CARRIER, NO UPS.

NLA - NO LONGER AVAILABLE

**INTER TEMP - MODELS ITA, ITE, ITG, ITH PRODUCED AFTER MARCH,1996 (CONT)**

MODEL NUMBER	DESCRIPTION	PART NUMBER	LIST PRICE
ITA24-126,-169, ITA26-145,-191, ITA28-151,-210, ITE24-105,-140, ITE26-130,-150	DRAIN PAN, 55" LENGTH*	11523801	\$887
ITA34-224,287, ITA36-240,-305, ITA38-260,-320, ITE34-175, ITE36-185	DRAIN PAN, 76" LENGTH*	11523901	\$980
ITA24-340,-395, ITA26-370, ITA28-410,-450, ITE24-230,-325, ITE26-270,-320	DRAIN PAN, 76" LENGTH*	11524001	\$980
ITA34-465,-585, ITA38-540,-690, ITA36-415,-490,-620, ITE34-390,-510, ITE36-385,-460,-520	DRAIN PAN, 106" LENGTH*	11524101	\$980
ALL ITE MODELS	DEFROST TERMINATION CONTROL (USE 08219273)	103079010	NLA
ALL ITE MODELS	DEFROST TERMINATION CONTROL	08219273	\$142
ALL ITE MODELS	FAN DELAY CONTROL	103079009	\$142
ALL ITE MODELS	HEATER SAFETY CONTROL	103079003	\$130
ITE24-105, ITE24-140, ITE26-130, ITE26-150	DEFROST HEATERS, 240V, 1693 WATTS 50" LENGTH, 3 REQ.	206240022	\$348
	DEFROST HEATERS,460V, 1555 WATTS, 50" LENGTH, 3 REQ.	206240021	\$545
	DEFROST HEATERS,575V, 1555 WATTS, 50" LENGTH, 3 REQ.	206240030	\$545
ITE34-175, ITE24-230, ITE24-325, ITE36-185, ITE26-270, ITE26-320	DEFROST HEATERS, 240V, 2458 WATTS, 70" LENGTH, 3 REQ.	206240004	\$459
	DEFROST HEATERS, 460V, 2258 WATTS, 70" LENGTH, 3 REQ.	206240020	\$684
	DEFROST HEATERS, 575V, 2258 WATTS, 70" LENGTH, 3 REQ.	206240029	\$684
ITE34-390, ITE34-510, ITE36-385, ITE36-460, ITE36-520	DEFROST HEATERS, 240V, 3538 WATTS, 100" LENGTH, 3 REQ.	206240005	\$575
	DEFROST HEATERS, 460V, 3249 WATTS, 100" LENGTH, 3 REQ.	206240019	\$783
	DEFROST HEATERS, 575V, 3249 WATTS, 100" LENGTH, 3 REQ.	206240028	\$783
ITA24-126,-169, ITA34-224,-287, ITA26-145,-191, ITA36-240,-305, ITA28-151,-210, ITA38-260,-320	MOTOR, PSC, 115V, 1/8 HP, 1075 RPM (4 MFD CAP. NOT INCLUDED)	115248001	\$821
	CAPACITOR, 4MFD, FOR 1/8 HP (115 V, 230V, 460V.) PSC MOTOR	202163012	\$50
	MOTOR, <b>ECM</b> , 115V, 1/8 HP, 1075 RPM	08216128	998
ITA24-340,-395, ITA34-465,-585 ITA26-370,ITA36-415, -490,-620 ITA28-410,-450, ITA38-540,-690	MOTOR, PSC, 115V, 1/3 HP, 1075 RPM	205051005	\$792
	MOTOR, PSC, 115V, 1/3 HP, 1075 RPM, LO-GRSE (5 MFD CAP. NOT INCLUDED)	<b>205051020</b>	\$890
	CAPACITOR, 5MFD, FOR 1/3 HP (115V) PSC MOTOR	202163004	\$49
	MOTOR, <b>ECM</b> , 115V, 1/3 HP, 1075 RPM	08216130	986
ITA24-126,-169, ITA34-224,-287 ITA26-145,-191, ITA36-240,-305 ITA28-151,-210, ITA38-260,-320 ITE24-105, ITE24-140, ITE34-175 ITE26-130, ITE26-150, ITE36-185	MOTOR, PSC, 230V, 1/8 HP, 1075 RPM (4 MFD CAP. NOT INCLUDED)	115248002	\$821
	CAPACITOR, 4MFD, FOR 1/8 HP (115 V, 230V, 460V.) PSC MOTOR	202163012	\$50
	MOTOR, <b>ECM</b> , 230V, 1/8 HP, 1075 RPM	08216129	1035
ITA24-340,-395, ITA34-465,-585, ITA26-370,-415, ITA36-415,-490,-620, ITA28-410,-450, ITA38-540,-690, ITE24-230,-325, ITE34-390,-510, ITE26-270, ITE26-320, ITE36-385, ITE36-460, ITE36-520	MOTOR, PSC, 115V, 1/3 HP, 1075 RPM	205051004	\$412
	MOTOR, PSC, 230V, 1/3 HP, 1075 RPM, LO-GRSE (5.0 MFD CAP. NOT INCLUDED)	<b>205051019</b>	\$984
	CAPACITOR, 5.0 MFD, FOR 1/3 HP (230V) PSC MOTOR	202163004	\$49
	MOTOR, <b>ECM</b> , 230V, 1/3 HP, 1075 RPM	08216131	1203
ITA24-126,-169, ITA34-224,-287 ITA26-145,-191, ITA36-240,-305 ITA28-151,-210, ITA38-260,-320 ITE24-105, ITE24-140, ITE34-175 ITE26-130, ITE26-150, ITE36-185	MOTOR, PSC, 460V, 1/8 HP, 1075 RPM (4 MFD CAP. NOT INCLUDED)	115248003	\$870
	MOTOR, PSC, 575V, 1/8 HP, 1075 RPM (4 MFD CAP. NOT INCLUDED)	115951000	\$967
	CAPACITOR, 4MFD, FOR 1/8 HP (115 V, 230V, 460V.) PSC MOTOR	202163012	\$50
ITA24-340,-395, ITA34-465,-585 ITA26-370,-415, ITA36-490,-620 ITA28-410,-450, ITA38-540,-690 ITE24-230,-325, ITE34-390,-510 ITE26-270, ITE26-320 ITE36-385, ITE36-460, ITE36-520	MOTOR, PSC, 460V, 1/3 HP, 1075 RPM (NO LONGER AVAILABLE use 205051021)	205051006	\$777
	MOTOR, PSC, 460V, 1/3 HP, 1075 RPM, LO-GRSE (7.5 MFD CAP. NOT INCLUDED)	<b>205051021</b>	\$1,086
	MOTOR, PSC, 575V, 1/3 HP, 1075 RPM (7.5 MFD CAP. NOT INCLUDED)	115950000	\$1,034
	CAPACITOR, 7.5 MFD, FOR 1/3 HP (230V,460V) PSC MOTOR	202163006	\$53
MODELS WITH 14" FANS	MOTOR MOUNT 14"	214837000	\$139
MODELS WITH 20" FANS	MOTOR MOUNT 20"	210225000	\$241

\* INTER - TEMP DRAIN PANS MUST SHIP VIA COMMON CARRIER. NO UPS SHIPMENTS  
**BOLD PART NUMBERS ARE FOR REPLACEMENT MOTORS**

**ULTRA TEMP - MODELS U\*U, U\*L, U\*M, UAH**

MODEL NUMBER	DESCRIPTION	PART NUMBER	LIST PRICE
ALL MODELS	DEFROST CONTROL, ADJUSTABLE, RANCO F-25	204464037	\$379
ALL 1 FAN MODELS	DEFROST HEATERS, CORE, 1378 WATTS, 40" LENGTH, 208-230/460 V. (4 REQ'D)	206240003	\$284
	DEFROST HEATERS, CORE, 1378 WATTS, 40" LENGTH, 300 V. (4 REQ'D)	206240025	\$358
ALL 2 FAN MODELS	DEFROST HEATERS, CORE, 2458 WATTS, 70" LENGTH, 208-230/460 V. (4 REQ'D)	206240004	\$459
	DEFROST HEATERS, CORE, 2458 WATTS, 70" LENGTH, 300 V. (4 REQ'D)	206240026	\$581
ALL 3 FAN MODELS	DEFROST HEATERS, CORE, 3538 WATTS, 100" LENGTH, 208-230/460 V. (4 REQ'D)	206240005	\$575
	DEFROST HEATERS, CORE, 3538 WATTS, 100" LENGTH, 300 V. (4 REQ'D)	206240027	\$745
UEU4-711	DEFROST HEATERS, CORE, 2305 WATTS, 132" LENGTH, 208-230/460 V. (8 REQ'D)	206240002	\$457
UEL4-817, UEL4-722 UEM4-780, UEM4-882	DEFROST HEATERS, CORE, 2305 WATTS, 132" LENGTH, 300 V. (8 REQ'D)	206240024	\$581
UEU4-851, UEU4-1080, UEL4-950, UEL4-1100, UEL4-1260, UEL4-1380, UEM4-1100 UEM4-1320, UEM4-1656	DEFROST HEATERS, CORE, 2305 WATTS, 132" LENGTH, 208-230/460 V. (12 REQ'D)	206240002	\$457
	DEFROST HEATERS, CORE, 2305 WATTS, 132" LENGTH, 300 V. (12 REQ'D)	206240024	\$581
UEU5-1350, UEL5-1575	DEFROST HEATERS, CORE, 2837 WATTS, 162" LENGTH, 208-230/460 V (12 REQ'D)	206240017	\$528
UEL5-1725, UEM5-2065	DEFROST HEATERS, CORE, 2837 WATTS, 162" LENGTH, 208V (300V units) (12 REQ'D)	206240032	\$545
UEU6-1620, UEL6-1890	DEFROST HEATERS, CORE, 3369 WATTS, 192" LENGTH, 208-230/460 V (12 REQ'D)	206240018	\$633
UEL6-2070, UEM6-2480	DEFROST HEATERS, CORE, 3369 WATTS, 192" LENGTH, 208V (300V units) (12 REQ'D)	206240031	\$660
ALL MODELS	DEFROST HEATER, DRAIN PLUG, 540 WATTS, 208-230/460 V.	10780703	NLA

**FOLLOWING DRAIN PANS ARE FOR UNITS PRODUCED BEFORE JULY 31, 1995 \*\* (contact factory for Hot Gas Pans)**

1 FAN MODELS	DRAIN PAN, 46-1/2"LENGTH - (SHIPS FROM YUMA, AZ) SPECIFY MOD# AND S/N.	12270501	\$781
2 FAN MODELS	DRAIN PAN, 76-1/2"LENGTH - (SHIPS FROM YUMA, AZ) SPECIFY MOD# AND S/N.	12270502	\$878
3 FAN MODELS	DRAIN PAN, 106-1/2"LENGTH - (SHIPS FROM YUMA, AZ) SPECIFY MOD# AND S/N.	12270503	\$969
4 FAN MODELS	DRAIN PAN, 136-1/2"LENGTH - (SHIPS FROM YUMA, AZ) SPECIFY MOD# AND S/N.	12270504	\$1,064
5 FAN MODELS	DRAIN PAN, 166-1/2"LENGTH - (SHIPS FROM YUMA, AZ) SPECIFY MOD# AND S/N.	12270505	\$1,288
6 FAN MODELS	DRAIN PAN, 196-1/2"LENGTH - (SHIPS FROM YUMA, AZ) SPECIFY MOD# AND S/N.	21505600	\$1,595

**FOLLOWING DRAIN PANS ARE FOR UNITS PRODUCED AFTER JULY 31, 1995\*\* (contact factory for Hot Gas Pans)**

1 FAN MODELS	DRAIN PAN, 46-1/2"LENGTH - (SHIPS FR YUMA, AZ) SPECIFY MOD# AND S/N.	10642401	\$781
2 FAN MODELS	DRAIN PAN, 76-1/2"LENGTH - (SHIPS FR YUMA, AZ) SPECIFY MOD# AND S/N.	10642402	\$878
3 FAN MODELS	DRAIN PAN, 106-1/2"LENGTH - (SHIPS FROM YUMA, AZ) SPECIFY MOD# AND S/N.	10642403	\$969
4 FAN MODELS (AIR DEFROST)	DRAIN PAN, 136-1/2"LENGTH - (SHIPS FROM YUMA, AZ) SPECIFY MOD# AND S/N.	10642404	\$1,064
5 FAN MODELS (AIR DEFROST)	DRAIN PAN, 166-1/2"LENGTH - (SHIPS FROM YUMA, AZ) SPECIFY MOD# AND S/N.	21884500	\$1,288
6 FAN MODELS (AIR DEFROST)	DRAIN PAN, 196-1/2"LENGTH - (SHIPS FROM YUMA, AZ) SPECIFY MOD# AND S/N.	21884600	\$1,414
4 FAN MODELS (ELEC. DEF)	DRAIN PAN, 136-1/2"LENGTH - (SHIPS FROM YUMA, AZ) SPECIFY MOD# AND S/N.	21485900	\$1,244
5 FAN MODELS (ELEC. DEF)	DRAIN PAN, 166-1/2"LENGTH - (SHIPS FROM YUMA, AZ) SPECIFY MOD# AND S/N.	21512700	\$1,467
6 FAN MODELS (ELEC. DEF)	DRAIN PAN, 196-1/2"LENGTH - (SHIPS FROM YUMA, AZ) SPECIFY MOD# AND S/N.	21505600	\$1,595
4,5,6, FAN MODELS	DRAIN PAN, CONNECTION 1-1/4"	114896001	\$55

**FOLLOWING DRAIN PAN HEATERS ARE FOR UNITS PRODUCED AFTER JULY 31, 1995\*\***

1-3 FAN MODELS*	NOT REQUIRED	NLA	-
4 FAN MODELS	DRAIN PAN HTR, 133-1/2"LENGTH, SPEC. MOD# AND S/N.( 2 REQ.), 540 WATTS, 230V	115098000	\$492
	DRAIN PAN HTR, 146-1/8"LENGTH, SPEC. MOD# AND S/N.( 2 REQ.), 540 WATTS, 300V	125704000	\$521
5 FAN MODELS	DRAIN PAN HTR, 163-1/2"LENGTH, SPEC. MOD# AND S/N.( 2 REQ.), 660 WATTS, 230V	115099000	\$555
	DRAIN PAN HTR, 176-1/8"LENGTH, SPEC. MOD# AND S/N.( 2 REQ.), 660 WATTS, 300V	125705000	\$587
6 FAN MODELS	DRAIN PAN HTR, 196-1/2"LENGTH, SPEC. MOD# AND S/N.( 2 REQ.), 780 WATTS, 230V	115100000	\$678
	DRAIN PAN HTR, 206-1/8"LENGTH, SPEC. MOD# AND S/N.( 2 REQ.), 780 WATTS, 300V	125706000	\$730

**FOLLOWING FAN BLADES ARE FOR UNITS PRODUCED BEFORE APRIL 1, 1990.**

ALL 1, 2, & 3 FAN U*U, AND U*L MODELS, AND U*U4-711, U*L4-722, U*L4-817	FAN BLADES, 20" DIAM., 23° PITCH, CW, 1/2" BORE	202147008	\$341
U*U4-851, U*U4-1080, U*L4-1100, U*L4-1380 U*M4-1320, U*M4-1656, UAH4-1452, UAH4-1821	FAN BLADES, 24" DIAM., 32° PITCH, CW, 1/2" BORE, 3 BLADES	213455000	\$341
		08221050	\$341
ALL 1, 2, & 3 FAN U*M, AND UAH MODELS, AND U*M4-780, U*M4-822, UAH4-866, UAH4-980	FAN BLADES, 20" DIAM., 25° PITCH, CW, 1/2" BORE	213456000	\$300

\* NO DRAIN PAN HEATERS FOR 1 - 3 FAN MODELS (BOTTOM CORE HEATER DEFROSTS THE DRAIN PAN.)

NLA - NO LONGER AVAILABLE

\*\* MUST SHIP VIA COMMON CARRIER. NO UPS SHIPMENTS

**ULTRA TEMP - MODELS U\*U, U\*L, U\*M, UAH (Con't)**

**FOLLOWING FAN BLADES ARE FOR UNITS PRODUCED AFTER APRIL 1, 1990.**

U*U1-118, U*U2-236, U*L1-125 U*L1-152, U*L1-193, U*L2-240, U*L2-304	FAN BLADES, 20" DIAM., 23° PITCH, CCW , 1/2" BORE	202147008	\$341
U*U2-355, U*L2-361, U*L2-408, U*M4-1100, U*M4-1320, U*M4-1656, UAH4-1452, UAH4-1821, UAH5-2275, UAH6-2730, & ALL 3, 4, 5, & 6 FAN U*U AND U*L MODELS	FAN BLADES, 24" DIAM., 32° PITCH, CW, 1/2" BORE, 3 BLADES	213455000	\$341
		08221050	\$341
U*M1-164, U*M1-209, U*M2-270, U*M2-239, UAH1-182, UAH1-232, UAH2-300, UAH2-365	FAN BLADES, 20" DIAM., 25° PITCH, CW, 1/2" BORE	213456000	\$300
U*M2-390, U*M2-441, UAH2-433, UAH2-490, ALL 3 FAN U*M, AND UAH MODELS U*M4-780, U*M4-882, U*M5-2065, U*M6-2480, UAH4-866, UAH4-980, UAH4-1100	FAN BLADES, 24" DIAM., 14° PITCH, CW , 1/2" BORE	214041000	\$331
U*U1-118, U*U2-236, U*L1-125, U*L1-152, U*L1-193, U*L2-240, U*L2-304, U*M1-164, U*M1-209, U*M2-270, U*M2-329, UAH1-182, UAH1-232, UAH2-300, UAH2-365	FAN GUARD, WIRE, EPOXY COATED, 20"	213484000	\$245
	FAN GUARD, AIR STRAIGHTENER (20" FANS)	10692300	\$418
U*U2-355, U*L2-361, U*L2-408, U*M2-390, U*M2-441, UAH2-433, UAH2-490, AND ALL 3, 4, 5, & 6 FAN U*U, U*L, U*M, UAH MODELS	FAN GUARD, WIRE, EPOXY COATED, 24"	202136005	\$501
	FAN GUARD, AIR STRAIGHTENER (24" FANS)	10709900	\$501

**FOLLOWING MOTORS ARE FOR UNITS PRODUCED BEFORE APRIL 1, 1990.**

ALL 1, 2, & 3 FAN U*M, & UAH & U*M4-780, U*M4-882, UAH4-866, UAH4-980, UAH4-1100	MOTOR, PSC, 115V, 1/3 HP, 1075 RPM (NO LONGER AVAILABLE FOR EVAP. UNITS)	205051005	\$792
	MOTOR, PSC, 115V, 1/3 HP, 1075 RPM, LO-GRSE (5 MFD CAP. NOT INCLUDED)	<b>205051020</b>	\$890
	MOTOR, PSC, 230V, 1/3 HP, 1075 RPM (NO LONGER AVAILABLE FOR EVAP. UNITS)	205051004	\$412
	MOTOR, PSC, 230V, 1/3 HP, 1075 RPM, LO-GRSE (5.0 MFD CAP. NOT INCLUDED)	<b>205051019</b>	\$984
	MOTOR, PSC, 460V, 1/3 HP, 1075 RPM (NO LONGER AVAILABLE FOR EVAP UNITS)	205051006	\$777
	MOTOR, PSC, 460V, 1/3 HP, 1075 RPM, LO-GRSE (7.5 MFD CAP. NOT INCLUDED)	<b>205051021</b>	\$1,086
U*U4-851, U*U4-1080, U*L4-1100, U*L4-1380 U*M4-1320, U*M4-1656, UAH4-1452, UAH4-1821	MOTOR, PSC, 3/4 HP, 1075RPM, 208-230/60/1 (NO LONGER AVAILABLE FOR EVAPS)	205051009	\$1,086
	MOTOR, PSC, 3/4 HP, 1075RPM, 208-230/60/1 (5 MFD CAPACITOR NOT INCLUDED)	<b>118187000</b>	\$1,371
	MOTOR, PSC, 3/4 HP, 1075RPM, 460/60/1 (NO LONGER AVAILABLE FOR EVAP UNITS)	205051002	\$1,195
	MOTOR, PSC, 3/4 HP, 1075RPM, 460/60/1 (5 MFD CAPACITOR NOT INCLUDED)	<b>118186000</b>	\$1,569
ALL 1, 2, & 3 FAN U*U, AND U*L MODELS, AND U*U4-711, U*L4-722, U*L4-817	MOTOR, PSC, 3/4 HP, 1625 RPM, 208-230/60/1 (7.5 MFD CAPACITOR NOT INCLUDED)	205051007	\$1,112
	MOTOR, PSC, 3/4 HP, 1625 RPM, 460/60/1 (7.5 MFD CAPACITOR NOT INCLUDED)	205051008	\$1,196
ALL MODELS	MOTOR, MOUNT, 24"	205269000	\$241

**FOLLOWING MOTORS ARE FOR UNITS PRODUCED AFTER APRIL 1, 1990.**

ALL 1, 2, 3, FAN U*M, AND UAH MODELS, AND U*M4-780, U*M4-882, UAH4-866, UAH4-980, UAH4-1100	MOTOR, PSC, 115V, 1/3 HP, 1075 RPM (NO LONGER AVAILABLE FOR EVAP. UNITS)	205051005	792
	MOTOR, PSC, 115V, 1/3 HP, 1075 RPM, LO-GRSE (5 MFD CAP. NOT INCLUDED)	<b>205051020</b>	890
	MOTOR, <b>ECM</b> , 1/3 HP, 1075 RPM, CCW, 115V	08216130	986
	MOTOR, PSC, 230V, 1/3 HP, 1075 RPM (NO LONGER AVAILABLE FOR EVAP. UNITS)	205051004	412
	MOTOR, PSC, 230V, 1/3 HP, 1075 RPM, LO-GRSE (5.0 MFD CAP. NOT INCLUDED)	<b>205051019</b>	984
	MOTOR, <b>ECM</b> , 1/3 HP, 1075 RPM, CCW, 230V	08216131	1203
	MOTOR, PSC, 460V, 1/3 HP, 1075 RPM (NO LONGER AVAILABLE FOR EVAP UNITS)	205051006	777
	MOTOR, PSC, 460V, 1/3 HP, 1075 RPM, LO-GRSE (7.5 MFD CAP. NOT INCLUDED)	<b>205051021</b>	1086
	MOTOR, PSC, 1/3 HP, 1075 RPM, 575/60/1 (7.5 MFD CAPACITOR NOT INCLUDED)	115950000	1034
U*U2-355, U*L2-361, U*L2-408, AND ALL 3, 4, 5, & 6 FAN U*U, AND U*L MODELS, U*M4-1100, U*M4-1320, U*M4-1656, U*M5-2065 U*M6-2480, UAH4-1452, UAH4-1821 UAH5-2275, UAH6-2730	MOTOR, PSC, 3/4 HP, 1075RPM, 208-230/60/1 (NO LONGER AVAILABLE FOR EVAPS)	205051009	1086
	MOTOR, PSC, 3/4 HP, 1075RPM, 208-230/60/1 (5 MFD CAPACITOR NOT INCLUDED)	<b>118187000</b>	1371
	MOTOR, PSC, 3/4 HP, 1075RPM, 460/60/1 (NO LONGER AVAILABLE FOR EVAP UNITS)	205051002	1195
	MOTOR, PSC, 3/4 HP, 1075RPM, 460/60/1 (5 MFD CAPACITOR NOT INCLUDED)	<b>118186000</b>	1569
	MOTOR, PSC, 1/2 HP, 1075RPM, 575/60/1 (5 MFD CAPACITOR NOT INCLUDED)	115952000	980
U*U1-118, U*U2-236, U*L1-125, U*L1-152, U*L1-193, U*L2-240 U*L2-304	MOTOR, <b>ECM</b> , 3/4 HP, 1075 RPM, CCW, 230V	08216132	1327
	MOTOR, PSC, 3/4 HP, 1625 RPM, 208-230/60/1 (7.5 MFD CAPACITOR NOT INCLUDED)	205051007	1112
	MOTOR, PSC, 3/4 HP, 1625 RPM, 460/60/1 (7.5 MFD CAPACITOR NOT INCLUDED)	205051008	1196
	MOTOR, PSC, 1/2 HP, 1075RPM, 575/60/1 (5 MFD CAPACITOR NOT INCLUDED)	115952000	980
ALL MODELS	MOTOR, <b>ECM</b> , 3/4 HP, 1625 RPM, CCW, 230V	08216133	1278
	MOTOR, MOUNT, 24"	205269000	241
ALL MODELS	CAPACITOR, 5MFD, 230/1 V. PSC MOTORS ONLY	202163004	49
	CAPACITOR, 7.5 MFD, 230/1 V. PSC MOTORS ONLY	202163006	53

**BOLD PART NUMBERS ARE FOR REPLACEMENT MOTORS**

## FLEX TEMP-MODELS FT

MODEL NUMBER	DESCRIPTION	PART NUMBER	LIST PRICE
FT18-6, FT18-8	DRAIN PAN-VENTURI	20985600	\$145
	FAN BLADES, PLASTIC, 6" DIAM., 21° PITCH, CW, HUBLESS	105849001	\$60
	FAN GUARD, PLASTIC, 6"	205932000	\$94
	MOTOR, SKELETON FRAME, SHADED POLE, 43 WATT INPUT, 3000 RPM, 115 V.	102249005	\$173
	MOTOR, SKELETON FRAME, SHADED POLE, 43 WATT INPUT, 3000 RPM, 230 V.	102249007	\$173
FT28-12	DRAIN PAN-VENTURI	20985500	\$190
	FAN BLADES, PLASTIC, 6" DIAM., 21° PITCH, CW, HUBLESS	105849001	\$60
	FAN GUARD, PLASTIC, 6"	205932000	\$94
	MOTOR, SKELETON FRAME, SHADED POLE, 43 WATT INPUT, 3000 RPM, 115 V.	102249005	\$173
	MOTOR, SKELETON FRAME, SHADED POLE, 43 WATT INPUT, 3000 RPM, 230 V.	102249007	\$173
FT18-17	DRAIN PAN-VENTURI	20985400	\$229
	FAN BLADES, 8" DIAM., 31° PITCH, CW, HUBLESS	204395009	\$51
	FAN GUARD, PLASTIC, 8"	206569000	\$96
	MOTOR, SHADED POLE, 9 WATT, 1550 RPM, 115 V.	103104004	\$171
	MOTOR, SHADED POLE, 9 WATT, 1550 RPM, 230 V.	103104005	\$171
	MOTOR, <b>ECM</b> , 16W, 1550 RPM, 115V	107933006	718
	MOTOR, <b>ECM</b> , 16W, 1550 RPM, 230V	107933003	745
FT18-23, FT18-31	DRAIN PAN-VENTURI	20985300	\$290
	FAN BLADES, 10" DIAM., 25° PITCH, CCW	214022000	\$55
	FAN GUARD, WIRE, EPOXY COATED , 10"	201006002	\$103
	MOTOR, SHADED POLE, 1/20 HP, 1550 RPM, 115 V. (USE 08216072)	102540003	NLA
	MOTOR, SHADED POLE, 1/20 HP, 1550 RPM, 115 V.	08216072	\$220
	MOTOR, SHADED POLE, 1/20 HP, 1550 RPM, 208-230 V.	102540004	\$220
	MOTOR, SHADED POLE, 1/20 HP, 1550 RPM, 208-230 V. (USE 08216071)	8216071	\$220
	MOTOR, <b>ECM</b> , 1/30 HP, 1550 RPM, 115V	08216126	838
	MOTOR, <b>ECM</b> , 1/30 HP, 1550 RPM, 230V	08216127	875

## HI TEMP - MODELS HI

HI17-6, HI17-9, HI17-12, HI17-15	DRAIN PAN	NLA	-
HI17-18, HI17-25	DRAIN PAN	NLA	-
HI17-35, HI17-45, HI18-55	DRAIN PAN	NLA	-
HI17-65, HI17-75, HI18-85	DRAIN PAN	NLA	-
HI17-105, HI18-120	DRAIN PAN	NLA	-
HI27-150, HI27-180	DRAIN PAN	NLA	-
HI17-6	FAN BLADES, 6" DIAM., 20° PITCH, CW, HUBLESS	105849001	60
HI17-9, HI17-12, HI17-15	FAN BLADES, 8" DIAM., 31° PITCH, CW , HUBLESS	204395009	51
HI17-18, HI17-25	FAN BLADES, 10" DIAM., 20° PITCH, CW, HUBLESS	204395015	55
HI17-35	FAN BLADES, 12" DIAM., 19° PITCH, CW, 5/16" BORE	NLA	-
HI17-45	FAN BLADES, 12" DIAM., 19° PITCH, CW, 5/16" BORE	NLA	-
HI18-55	FAN BLADES, 12" DIAM., 23° PITCH, CW, 5/16" BORE	215112000	164
HI17-65, HI27-150,	FAN BLADES, 16" DIAM., 19° PITCH, CW, 1/2" BORE	11905	206
HI17-75, HI18-85, HI17-105 HI18-120, HI27-180	FAN BLADES, 16" DIAM., 23° PITCH, CW, 1/2" BORE	NLA	-
HI17-6	FAN GUARD, PLASTIC, 6"	205932000	94
HI17-9, HI17-12, HI17-15	FAN GUARD, PLASTIC, 8"	206569000	96
HI17-18, HI17-25	FAN GUARD, WIRE, EPOXY COATED , 10"	08397002	103
HI17-35, HI17-45, HI18-55	FAN GUARD, WIRE, EPOXY COATED , 12"	201006011	103
HI17-65 THRU HI27-180	FAN GUARD, WIRE, EPOXY COATED , 16"	201006004	139
HI17-6, HI17-9, HI17-12	MOTOR, SHADED POLE, 4 WATT, 1550 RPM, 115 V.	NLA	-
HI17-15, HI17-18, HI17-25	MOTOR, SHADED POLE, 9 WATT, 1550 RPM, 115 V.	103104004	171
	MOTOR, SHADED POLE, 9 WATT, 1550 RPM, 230 V.	103104005	171
HI17-35, HI17-45, HI18-55	MOTOR, SHADED POLE, 1/20 HP, 1550 RPM, 115 V.	08216072	220
	MOTOR, SHADED POLE, 1/20 HP, 1550 RPM, 230 V.	08216071	220
HI17-65, HI17-75, HI18-85, HI17-105, HI27-150, HI27-180	MOTOR, SHADED POLE, 1/12 HP, 1050 RPM, 115 V.	08216119	618
	MOTOR, SHADED POLE, 1/12 HP, 1050 RPM, 230 V.	NLA	-
HI18-120	MOTOR, SHADED POLE, 1/6 HP, 1050 RPM, 115/230 V.	NLA	-
HI17-6 THRU HI18-55	MOTOR MOUNT (SPECIFY UNIT MODEL NUMBER WHEN ORDERING)	NLA	-
HI17-65 THRU HI27-180	MOTOR MOUNT (SPECIFY UNIT MODEL NUMBER WHEN ORDERING)	NLA	-

NLA - NO LONGER AVAILABLE

## ASL MODELS

MODEL NUMBER	DESCRIPTION	PART NUMBER	LIST PRICE
ASL25-46E	DEFROST HEATERS, CORE, 1300 WATTS, 39" LENGTH, 230 V.	205221013	\$318
	DRAIN PAN, 46" LENGTH	20248901	\$479
ASL25-58E	DEFROST HEATERS, CORE, 1970 WATTS, 48" LENGTH, 230 V.	200172026	\$342
	DRAIN PAN	202489001	\$479
ASL35-70E	DEFROST HEATERS, CORE, 1850 WATTS, 62" LENGTH, 230 V.	205221016	\$501
	DRAIN PAN, 69" LENGTH	20248902	\$575
ASL45-94E	DEFROST HEATERS, CORE, 1250 WATTS, 42" LENGTH, 230 V. (2 REQ'D)	205221007	\$413
	DRAIN PAN, 92" LENGTH	20248903	\$636
ASL55-117E	DEFROST HEATERS, CORE, 1600 WATTS, 54" LENGTH, 230 V. (2 REQ'D)	205221010	\$473
	DRAIN PAN, 115" LENGTH	20248904	\$697
ALL "ASL-E" MODELS	DEFROST CONTROL, NON-ADJUSTABLE, 3 WIRE	103079002	\$142
ALL "ASL-E" MODELS	HEATER SAFETY SWITCH, 2 WIRE	103079003	\$130
ALL "ASL" MODELS	FAN BLADES, 10" DIAM., 31° PITCH, CCW, HUBLESS, 1/4" BORE	204395018	\$55
ALL "ASL" MODELS	FAN GUARD, WIRE, EPOXY COATED, 10", (WHITE)	08397053	\$103
ALL "ASL" MODELS	MOTOR MOUNT	10243000	\$103
ALL "ASL" MODELS	MOTOR, <b>SHADED POLE</b> , 16 WATT, 1550 RPM, 115 V.	103104007	\$203
Shaded Pole Motors	MOTOR, <b>SHADED POLE</b> , 16 WATT, 1550 RPM, 230 V.	103104008	\$203
ALL "ASL" MODELS	MOTOR, <b>PSC</b> , 16 WATT, 1550 RPM, 115 V.	107933001	\$413
Permanent Split Capacitor Motors	MOTOR, <b>PSC</b> , 16 WATT, 1550 RPM, 230 V. (Use 107933003)	107933002	NLA
ALL MODELS	MOTOR, <b>ECM</b> , 16 WATT, 1550 RPM, 115 V.	107933006	718
Electronically Commutated Motors	MOTOR, <b>ECM</b> , 16 WATT, 1550 RPM, 230 V.	107933003	745

## ASLA & ASLE

ASLE 25-46	DEFROST HEATERS, CORE, 1300 WATTS, 39" LENGTH, 230 V.	205221013	\$318
	DRAIN PAN	202489001	\$479
ASLE 25-58	DEFROST HEATERS, CORE, 1970 WATTS, 48" LENGTH, 230 V.	200172026	\$342
	DRAIN PAN	202489001	\$479
ASLE 35-70	DEFROST HEATERS, CORE, 1850 WATTS, 62" LENGTH, 230 V.	205221016	\$501
	DRAIN PAN	202489002	\$575
ASLE 45-94	DEFROST HEATERS, CORE, 1250 WATTS, 42" LENGTH, 230 V. (2 REQ'D)	205221007	\$413
	DRAIN PAN	202489003	\$636
ASLE55-117	DEFROST HEATERS, CORE, 1600 WATTS, 54" LENGTH, 230 V. (2 REQ'D)	205221010	\$473
	DRAIN PAN	202489004	\$697
ASLE 65-150	DEFROST HEATERS, CORE, 1850 WATTS, 62" LENGTH, 230 V. (2 REQ'D)	205221016	\$501
	DRAIN PAN	22118700	\$575
ALL "ASLE" MODELS	DEFROST CONTROL, DEFROST TERMINATION, (TIMER RESET) 2 WIRE (USE 0821973)	103079010	NLA
ALL "ASLE" MODELS	DEFROST CONTROL, DEFROST TERMINATION, (TIMER RESET) 2 WIRE	0821973	\$142
ALL "ASLE" MODELS	DEFROST CONTROL, FAN DELAY, 2 WIRE	103079009	\$142
ALL "ASLE" MODELS	HEATER SAFETY SWITCH, 2 WIRE	103079003	\$130
ALL "ASL" MODELS	FAN BLADES, 10" DIAM., 31° PITCH, CCW, HUBLESS, 1/4" BORE	204395018	\$55
ALL "ASL" MODELS	FAN GUARD, WIRE, EPOXY COATED, 10"	201006002	\$103
ALL "ASL" MODELS	MOTOR, <b>SHADED POLE</b> , 16 WATT, 1550 RPM, 115 V.	103104007	\$203
Shaded Pole Motors	MOTOR, <b>SHADED POLE</b> , 16 WATT, 1550 RPM, 230 V.	103104008	\$203
ALL "ASL" MODELS	MOTOR, <b>PSC</b> , 16 WATT, 1550 RPM, 115 V.	107933001	\$413
Permanent Split Capacitor Motors	MOTOR, <b>PSC</b> , 16 WATT, 1550 RPM, 230 V. (USE 107933003)	107933002	NLA
ALL MODELS	MOTOR, <b>ECM</b> , 16 WATT, 1550 RPM, 115 V.	107933006	718
Electronically Commutated Motors	MOTOR, <b>ECM</b> , 16 WATT, 1550 RPM, 230 V.	107933003	745

### MINI TWIN TEMP - MODELS MTW

MODEL NUMBER	DESCRIPTION	PART NUMBER	LIST PRICE
MTW18-8	DRAIN PAN (VENTURI)	20317800	\$187
MTW28-13	DRAIN PAN (VENTURI)	20317900	\$248
MTW28-18	DRAIN PAN (VENTURI)	20317900	\$248
MTW38-27	DRAIN PAN (VENTURI)	203176000	\$255
ALL "MTW" MODELS	FAN BLADES, 6" DIAM., 21° PITCH, CW, 1/4" BORE, PLASTIC	105849001	\$60
ALL "MTW" MODELS	FAN GUARD, PLASTIC, 6"	205932000	\$94
ALL "MTW" MODELS	MOTOR, SKELETON FRAME, SHADED POLE, 43 WATT INPUT, 3000 RPM, 115 V.	102249005	\$173
	MOTOR, SKELETON FRAME, SHADED POLE, 43 WATT INPUT, 3000 RPM, 230 V.	102249007	\$173
ALL "MTW" MODELS	MOTOR MOUNT	12003600	\$51

### MULLION TEMP - MODELS MUF, MDF, WAX

ALL 27-13, AND 27-17 MODELS	DRAIN PAN	20782200	\$145
ALL 37-23 MODELS	DRAIN PAN	20988300	\$177
ALL MUF AND WAX MODELS	FAN BLADES, 5" DIAM., CCW , PLASTIC	105849004	\$45
ALL MDF MODELS	FAN BLADES, 5" DIAM., CW, PLASTIC	105849002	\$45
ALL MDF MODELS	FAN GUARD, Plastic 5"	207824000	\$92
ALL MODELS	MOTOR, SKELETON FRAME, SHADED POLE, 43 WATT INPUT, 3000 RPM, 115 V.	102249005	\$173
	MOTOR, SKELETON FRAME, SHADED POLE, 43 WATT INPUT, 3000 RPM, 230 V.	102249007	\$173

### SLIM TEMP - MODELS SL, AIR AND ELECTRIC DEFROST

SLE- ALL MODELS	DEFROST TERMINATION / FAN DELAY 3 WIRE NON-ADJUSTABLE	103079002	\$142
SL15-9E	DEFROST HEATER, CORE, 420 WATTS, 10" LENGTH, 115 V.	NLA	-
	DEFROST HEATER, CORE, 420 WATTS, 10" LENGTH, 230 V.	NLA	-
SL15-11E	DEFROST HEATERS, CORE, 500 WATTS, 14" LENGTH, 115 V.	NLA	-
	DEFROST HEATERS, CORE, 500 WATTS, 14" LENGTH, 230 V.	NLA	-
SL25-15E	DEFROST HEATERS, CORE, 700 WATTS, 17" LENGTH, 115 V.	NLA	-
	DEFROST HEATERS, CORE, 700 WATTS, 17" LENGTH, 230 V.	NLA	-
SL25-20E	DEFROST HEATERS, CORE, 900 WATTS, 24" LENGTH, 115 V.	NLA	-
	DEFROST HEATERS, CORE, 900 WATTS, 24" LENGTH, 230 V.	NLA	-
SL35-26E	DEFROST HEATERS, CORE, 1300 WATTS, 33" LENGTH, 115 V.	NLA	-
	DEFROST HEATERS, CORE, 1300 WATTS, 33" LENGTH, 230 V.	NLA	-
SL45-33E	DEFROST HEATERS, CORE, 1600 WATTS, 41" LENGTH, 115 V.	NLA	-
	DEFROST HEATERS, CORE, 1600 WATTS, 41" LENGTH, 230 V.	NLA	-
SL55-44E	DEFROST HEATERS, CORE, 2100 WATTS, 56" LENGTH, 115 V.	NLA	-
	DEFROST HEATERS, CORE, 2100 WATTS, 56" LENGTH, 230 V.	NLA	-
SL35-58E	DEFROST HEATERS, CORE, 2200 WATTS, 56" LENGTH, 230 V.	200172027	\$379
SL35-70E	DEFROST HEATERS, CORE, 1220 WATTS, 30 LENGTH, 230 V. (1 REQ'D)	200172023	\$357
	DEFROST HEATERS, CORE, 1760 WATTS, 42 LENGTH, 230 V. (1 REQ'D)	205221007	\$413
SL45-87E	DEFROST HEATERS, CORE, 1300 WATTS, 39 LENGTH, 230 V. (1 REQ'D)	205221013	\$318
	DEFROST HEATERS, CORE, 1970 WATTS, 48 LENGTH, 230 V. (1 REQ'D)	200172026	\$342
SL17-10, SL15-9E	DRAIN PAN	NLA	-
SL17-13, SL15-11E	DRAIN PAN	NLA	-
SL27-17, SL25-15E	DRAIN PAN	NLA	-
SL27-23, SL25-20E	DRAIN PAN	NLA	-
SL37-30, SL35-26E	DRAIN PAN	NLA	-
SL47-37, SL45-33E	DRAIN PAN	NLA	-
SL57-50, SL55-44E	DRAIN PAN	NLA	-
SL35-58E	DRAIN PAN	NLA	-
SL35-70E	DRAIN PAN	NLA	-
SL45-87E	DRAIN PAN	NLA	-
SL15-9(E) THRU SL55-44(E)	FAN BLADES, 6" DIAM., 21° PITCH, CW , 1/4" BORE, PLASTIC	105849001	\$60
SL35-58(E), SL35-70(E), SL45-87(E)	FAN BLADES, 10" DIAM., 31° PITCH, CCW , HUBLESS, 1/4" BORE	204395018	\$55
SL15-9(E) THRU SL55-44(E)	FAN GUARD, PLASTIC, 6"	205932000	\$94
SL35-58(E), SL35-70(E), SL45-87(E)	FAN GUARD, WIRE, EPOXY COATED, 10", (WHITE)	08397053	\$103
SL15-9(E) THRU SL55-44(E)	MOTOR, SKELETON FRAME, SHADED POLE, 43 WATT INPUT, 3000 RPM, 115 V.	102249005	\$173
	MOTOR, SKELETON FRAME, SHADED POLE, 43 WATT INPUT, 3000 RPM, 230 V.	102249007	\$173
SL35-58(E), SL35-70(E), SL45-87(E)	MOTOR, SHADED POLE, 16 WATT, 1550 RPM, 115 V.	103104007	\$203
	MOTOR, SHADED POLE, 16 WATT, 1550 RPM, 230 V.	103104008	\$203
SL15-9(E) THRU SL55-44(E)	MOTOR MOUNT, 43 WATT	12003600	\$51
SL35-58(E), SL35-70(E), SL45-87(E)	MOTOR MOUNT, 16 WATT	10243000	\$103

NLA - NO LONGER AVAILABLE



### SLIM TEMP - MODELS SLA

MODEL NUMBER	DESCRIPTION	PART NUMBER	LIST PRICE
SLA 17-10	DRAIN PAN (VENTURI)	20997400	\$187
SLA 17-13	DRAIN PAN (VENTURI)	20997600	\$206
SLA27-17	DRAIN PAN (VENTURI)	20997800	\$242
SLA27-23	DRAIN PAN (VENTURI)	20996600	\$284
SLA 37-30	DRAIN PAN (VENTURI)	20996800	\$337
SLA 47-40	DRAIN PAN (VENTURI)	20997000	\$371
SLA 57-50	DRAIN PAN (VENTURI)	20997200	\$460
ALL MODELS	FAN BLADES, 6" DIAM., 21° PITCH, CW, PLASTIC	105849001	\$60
ALL MODELS	FAN GUARD, PLASTIC,(CLEAR), 6"	205932000	\$94
ALL MODELS	MOTOR, SKELETON FRAME, SHADED POLE, 43 WATT INPUT, 3000 RPM, 115 V.	102249005	\$173
ALL MODELS	MOTOR, SKELETON FRAME, SHADED POLE, 43 WATT INPUT, 3000 RPM, 230 V.	102249007	\$173
ALL MODELS	MOTOR MOUNT	12003600	\$51

### SLIM TEMP - MODELS SLE

ALL "SLE" MODELS	DEFROST CONTROL, DEFROST TERMINATION, (USE 08219273)	103079010	NLA
ALL "SLE" MODELS	DEFROST CONTROL, DEFROST TERMINATION, (TIMER RESET) 2 WIRE	08219273	\$142
ALL "SLE" MODELS	DEFROST CONTROL, FAN DELAY, 2 WIRE	103079009	\$142
SLE 15-9	DEFROST HEATER, 400 WATTS, 10-1/4" LENGTH, 115V.	220150001	\$241
	DEFROST HEATER, 400 WATTS, 10-1/4" LENGTH, 230V.	220150031	\$276
	DRAIN PAN	20997400	\$187
SLE 15-12	DEFROST HEATER, 500 WATTS, 14-1/4" LENGTH, 115V.	220150002	\$242
	DEFROST HEATER, 500 WATTS, 14-1/4" LENGTH, 230V.	220150032	\$280
	DRAIN PAN	20997600	\$206
SLE 25-16	DEFROST HEATER, 700 WATTS, 17-3/4" LENGTH, 115V.	220150003	\$279
	DEFROST HEATER, 700 WATTS, 17-3/4" LENGTH, 230V.	220150033	\$267
	DRAIN PAN	20997800	\$242
SLE 25-21	DEFROST HEATER, 700 WATTS, 17-3/4" LENGTH, 115V.	220150003	\$279
	DEFROST HEATER, 700 WATTS, 17-3/4" LENGTH, 230V.	220150033	\$267
	DRAIN PAN	20998000	\$284
SLE 25-28	DEFROST HEATER, 900 WATTS, 25-1/4" LENGTH, 115V.	220150004	\$308
	DEFROST HEATER, 900 WATTS, 25-1/4" LENGTH, 230V.	220150034	\$368
	DRAIN PAN	20998200	\$348
SLE 35-36	DEFROST HEATER, 1200 WATTS, 32-1/4" LENGTH, 115V.	220150005	\$341
	DEFROST HEATER, 1200 WATTS, 32-1/4" LENGTH, 230V.	220150035	\$399
	DRAIN PAN	20998400	\$388
SLE 45-54	DEFROST HEATER, 1500 WATTS, 42" LENGTH, 115V.	220150006	\$433
	DEFROST HEATER, 1500 WATTS, 42" LENGTH, 230V.	220150036	\$439
	DRAIN PAN	20998600	\$479
SLE 35-70	DEFROST HEATER, 2300 WATTS, 69-1/4" LENGTH, 230V.	220150037	\$492
	DRAIN PAN	20998800	\$529
SLE 15-9 THRU 25-16	FAN BLADES, 6" DIAM., 21° PITCH, CW, PLASTIC	105849001	\$60
	FAN GUARD, PLASTIC,(CLEAR), 6"	205932000	\$94
SLE 25-21 THRU 45-54	FAN BLADES, 8" DIAM., 31° PITCH, CCW	204395010	\$51
	FAN GUARD, PLASTIC,(CLEAR), 8"	206569000	\$96
SLE 35-70	FAN BLADES, 10" DIAM., 31° PITCH, CCW	204395018	\$55
	FAN GUARD, WIRE, EPOXY COATED, 10" (WHITE)	8397053	\$103
SLE 15-9 THRU 25-16	MOTOR, SKELETON FRAME, SHADED POLE, 43 WATT INPUT, 3000 RPM, 115 V.	102249005	\$173
	MOTOR, SKELETON FRAME, SHADED POLE, 43 WATT INPUT, 3000 RPM, 230 V.	102249007	\$173
SLE 25-21 THRU 45-54	MOTOR, SKELETON FRAME, SHADED POLE, 9 WATT, 1550 RPM, 115 V.	103104004	\$171
	MOTOR, SKELETON FRAME, SHADED POLE, 9 WATT, 1550 RPM, 230 V.	103104005	\$171
	MOTOR, <b>ECM</b> , 16W, 1550 RPM, 115V	107933006	718
	MOTOR, <b>ECM</b> , 16W, 1550 RPM, 230V	107933003	745
SLE 35-70	MOTOR, SKELETON FRAME, SHADED POLE, 16 WATT, 1550 RPM, 115 V.	103104007	\$203
	MOTOR, SKELETON FRAME, SHADED POLE, 16 WATT, 1550 RPM, 230 V.	103104008	\$203
SLE 15-9 THRU 25-16	MOTOR MOUNT	12003600	\$51
SLE 25-21 THRU 45-54	MOTOR MOUNT	12003000	\$55
SLE 35-70	MOTOR MOUNT	10243000	\$103

### SLIM TEMP - SPECIAL SLB

SLB- ALL MODELS	SERPENTINE HEATER, 1400WATTS, 230V	NLA	-
-----------------	------------------------------------	-----	---

NLA - NO LONGER AVAILABLE

**T-TEMP - MODELS TT**

MODEL NUMBER	DESCRIPTION	PART NUMBER	LIST PRICE
TT18-8	DRAIN PAN (VENTURI)	20316400	\$187
TT28-13	DRAIN PAN (VENTURI)	20316501	\$206
TT28-17	DRAIN PAN (VENTURI)	20316502	\$242
ALL "TT" MODELS	FAN BLADES, 6" DIAM., 21° PITCH, CW , 1/4" BORE, PLASTIC	105849001	\$60
ALL "TT" MODELS	FAN GUARD, PLASTIC,(CLEAR), 6"	205932000	\$94
ALL "TT" MODELS	MOTOR, SKELETON FRAME, SHADED POLE, 43 WATT INPUT, 3000 RPM, 115 V.	102249005	\$173
ALL "TT" MODELS	MOTOR, SKELETON FRAME, SHADED POLE, 43 WATT INPUT, 3000 RPM, 230 V.	102249007	\$173
ALL "TT" MODELS	MOTOR MOUNT	12003600	\$51

**TWIN TEMP - MODELS TW**

TW17-9, TW17-12, TW17-18	DRAIN PAN (VENTURI)	20870100	\$165
TW17-25, TW17-35	DRAIN PAN (VENTURI)	20873500	\$165
TW17-45, TW17-55, TW18-65	DRAIN PAN (VENTURI)	20874600	\$318
TW17-75, 18-85, TW17-105, TW18-120	DRAIN PAN (VENTURI)	10574400	\$341
TW17-150,180	DRAIN PAN (VENTURI)	NLA	-
TW17-9	FAN BLADES, 8" DIAM., 20° PITCH, CCW, HUBLESS	204395008	\$51
TW17-12, TW17-18	FAN BLADES, 8" DIAM., 31° PITCH, CCW , HUBLESS	204395010	\$51
TW17-25, TW17-35	FAN BLADES, 10" DIAM., 20° PITCH, CW , HUBLESS	204395015	\$55
TW17-45	FAN BLADES, 12" DIAM., 18° PITCH, CCW , 5/16" BORE	214118000	\$165
TW17-55	FAN BLADES, 12" DIAM., 23° PITCH, CCW , 5/16" BORE	08221169	\$80
TW18-65	FAN BLADES, 12" DIAM., 23° PITCH, CCW , 5/16" BORE	08221169	\$80
TW17-75, TW18-85, TW17-105, TW18-120	FAN BLADES, 16" DIAM., 16° PITCH, CCW , 1/2" BORE	11904	\$224
TW17-150, TW27-300	FAN BLADES, 18" DIAM., 18° PITCH, CCW , 1/2" BORE	NLA	-
TW17-180	FAN BLADES, 18" DIAM., 18° PITCH, CCW , 1/2" BORE	NLA	-
TW27-240	FAN BLADES, 16" DIAM., 23° PITCH, CCW , 1/2" BORE	NLA	-
TW17-9, TW17-12, TW17-18	FAN GUARD, PLASTIC, 8"	206569000	\$96
TW17-25, TW17-35	FAN GUARD, WIRE, EPOXY COATED , 10", (WHITE)	08397053	\$103
TW17-45, TW17-55, TW18-65	FAN GUARD, WIRE, EPOXY COATED , 12"	201006011	\$103
TW17-75, TW18-85, TW17-105, TW18-120, TW27-240	FAN GUARD, WIRE, EPOXY COATED , 16"	201006004	\$139
TW17-150 THRU TW27-300	FAN GUARD, WIRE, EPOXY COATED , 18"	NLA	-
TW17-9, TW17-12	MOTOR, SHADED POLE, 4 WATT,1550 RPM, 115 V. (USE 103104004)	NLA	-
	EVAP MTR, <b>ECM</b> , 16 W, 1550 RPM, 115v	107933006	718
TW17-18, TW17-25, TW17-35	MOTOR, SHADED POLE, 9 WATT, 1550 RPM, 115 V.	103104004	\$171
	MOTOR, SHADED POLE, 9 WATT, 1550 RPM, 230 V.	103104005	\$171
	MOTOR, <b>ECM</b> , 16 WATT, 1550 RPM, 115V	107933006	718
	MOTOR, <b>ECM</b> , 16 WATT, 1550 RPM, 208-230V	107933003	745
TW17-45, TW17-55, TW18-65	MOTOR, SHADED POLE, 1/20 HP, 1550 RPM, 115 V.	08216072	\$220
	MOTOR, SHADED POLE, 1/20 HP, 1550 RPM, 230 V.	08216071	\$220
	MOTOR, <b>ECM</b> , 1/30 HP, 1550 RPM, 115V	08216126	838
	MOTOR, <b>ECM</b> , 1/30 HP, 1550 RPM, 230V	08216127	875
TW17-75, TW18-85, TW17-105, TW18-120, TW27-240	MOTOR, SHADED POLE KIT, 1/12 HP, 1050 RPM, 115 V.	08216119	\$618
	SHADED POLE MOTOR ASSY, 1/12 HP, 115-230V	08522774	\$832
TW17-150, TW17-180, TW27-300	MOTOR, SHADED POLE, 1/6 HP, 1050 RPM, 115/230/1 V.	NLA	-
TW17-9, TW17-12	MOTOR MOUNT (SPECIFY UNIT MODEL AND SERIAL NUMBERS WHEN ORDERING)	NLA	-
TW17-18	MOTOR MOUNT (SPECIFY UNIT MODEL AND SERIAL NUMBERS WHEN ORDERING)	10870202	\$718
TW17-25	MOTOR MOUNT (SPECIFY UNIT MODEL AND SERIAL NUMBERS WHEN ORDERING)	10873801	\$745
TW17-35	MOTOR MOUNT (SPECIFY UNIT MODEL AND SERIAL NUMBERS WHEN ORDERING)	10873802	\$79
TW17-45	MOTOR MOUNT (SPECIFY UNIT MODEL AND SERIAL NUMBERS WHEN ORDERING)	10874700	\$45
TW17-55, TW18-65	MOTOR MOUNT (SPECIFY UNIT MODEL AND SERIAL NUMBERS WHEN ORDERING)	10874800	\$135
TW17-75 THRU TW17-180	MOTOR MOUNT (SPECIFY UNIT MODEL AND SERIAL NUMBERS WHEN ORDERING)	10019700	\$159
TW27-210 THRU TW27-240	MOTOR MOUNT (SPECIFY UNIT MODEL AND SERIAL NUMBERS WHEN ORDERING)	10101200	-
TW27-300	MOTOR MOUNT (SPECIFY UNIT MODEL AND SERIAL NUMBERS WHEN ORDERING)	10575000	-

NLA - NO LONGER AVAILABL

## WALL TEMP - MODELS WA

MODEL NUMBER	DESCRIPTION	PART NUMBER	LIST PRICE
WA17-6	DRAIN PAN (VENTURI)	105633001	\$164
	FAN BLADES, 8" DIAM., 20° PITCH, CCW , HUBLESS	204395008	\$51
	FAN GUARD, PLASTIC, 8"	206569000	\$96
	MOTOR, SHADED POLE, 4 WATT,1550 RPM, 115 V. (USE 103104004)	NLA	-
	MOTOR, <b>ECM</b> , 16 WATT, 1550 RPM, 115V	107933006	718
WA17-9	DRAIN PAN (VENTURI)	105633001	\$164
	FAN BLADES, 8" DIAM., 20° PITCH, CCW , HUBLESS	204395008	\$51
	FAN GUARD, PLASTIC, 8"	206569000	\$96
WA17-12, WA17-18	DRAIN PAN (VENTURI)	105633002	\$164
	FAN BLADES, 8" DIAM., 31° PITCH, CCW , HUBLESS	204395010	\$51
	FAN GUARD, PLASTIC, 8"	206569000	\$96
<b>MOTORS:</b> WA17-9, WA17-12, WA17-18	MOTOR, SHADED POLE, 9 WATT, 1550 RPM, 115 V.	103104004	\$171
	MOTOR, SHADED POLE, 9 WATT, 1550 RPM, 230 V.	103104005	\$171
	MOTOR, <b>ECM</b> , 16 WATT, 1550 RPM, 115V	107933006	718
	MOTOR, <b>ECM</b> , 16 WATT, 1550 RPM, 208-230V	107933003	745
WA17-25, WA17-35	DRAIN PAN (VENTURI)	20192600	\$171
	FAN BLADES, 10" DIAM., 20° PITCH, CCW , 5/16" BORE	204395016	\$55
	FAN GUARD, WIRE, EPOXY COATED, 10", (WHITE)	08397053	\$103
	MOTOR, SHADED POLE, 1/20 HP, 1550 RPM, 115 V.	08216072	\$220
	MOTOR, SHADED POLE, 1/20 HP, 1550 RPM, 230 V.	08216071	\$220
	MOTOR, <b>ECM</b> , 1/30 HP, 1550 RPM, 115V	08216126	838
	MOTOR, <b>ECM</b> , 1/30 HP, 1550 RPM, 230V	08216127	875
WA17-45	DRAIN PAN (VENTURI)	105633004	\$192
	FAN BLADES, 12" DIAM., 23° PITCH, CCW , 1/2" BORE	11860	\$165
	FAN GUARD, WIRE, EPOXY COATED, BLUE, 12"	201006011	\$103
	MOTOR ASSY., 1/12 HP, 115/230 V.	08522774	\$832
	MOTOR, SHADED POLE, 1/12 HP, 1050 RPM, 115/230 V.	08286119	\$619

## WEDGE TEMP - MODELS WE

WE17-12	DRAIN PAN (VENTURI)	20193200	\$318
	FAN BLADES, 8" DIAM., 31° PITCH, CCW , HUBLESS	204395010	\$51
	FAN GUARD, PLASTIC, 8"	206569000	\$96
	MOTOR, SHADED POLE, 4 WATT,1550 RPM, 115 V. (USE 103104004)	NLA	-
WE17-15	DRAIN PAN (VENTURI)	20193200	\$318
	FAN BLADES, 8" DIAM., 31° PITCH, CCW , HUBLESS	204395010	\$51
	FAN GUARD, PLASTIC, 8"	206569000	\$96
	MOTOR, SHADED POLE, 9 WATT, 1550 RPM, 115 V.	103104004	\$171
	MOTOR, SHADED POLE, 9 WATT, 1550 RPM, 230 V.	103104005	\$171
WE17-18	DRAIN PAN (VENTURI)	20193000	\$318
	FAN BLADES, 8" DIAM., 31° PITCH, CCW , HUBLESS	204395010	\$51
	FAN GUARD, PLASTIC, 8"	206569000	\$96
	MOTOR, SHADED POLE, 9 WATT, 1550 RPM, 115 V.	103104004	\$171
WE17-25	MOTOR, SHADED POLE, 9 WATT, 1550 RPM, 230 V.	103104005	\$171
	DRAIN PAN (VENTURI)	20193000	\$318
	FAN BLADES, 8" DIAM., 31° PITCH, CCW , HUBLESS	204395010	\$51
	FAN GUARD, PLASTIC, 8"	206569000	\$96
	MOTOR, SHADED POLE, 9 WATT, 1550 RPM, 115 V.	103104004	\$171
WE17-35	MOTOR, SHADED POLE, 9 WATT, 1550 RPM, 230 V.	20192600	\$171
	DRAIN PAN (VENTURI)	105633003	\$362
	FAN BLADES, 10" DIAM., 20° PITCH, CCW, HUBLESS	204395016	\$55
	FAN GUARD, WIRE, EPOXY COATED, 10"	08397053	\$103
	MOTOR, SHADED POLE, 9 WATT, 1550 RPM, 115 V.	103104004	\$171
WE17-45, WE18-55	MOTOR, SHADED POLE, 9 WATT, 1550 RPM, 230 V.	20192600	\$171
	DRAIN PAN (VENTURI)	20192400	\$362
	FAN BLADES, 10" DIAM., 31° PITCH, CCW , HUBLESS	204395018	\$55
	FAN GUARD, WIRE, EPOXY COATED, 10"	08397053	\$103
	MOTOR, SHADED POLE, 16 WATT, 1550 RPM, 115 V.	103104007	\$203
<b>EC MOTORS:</b> WE17-12, -15,-18, -25, -35	MOTOR, SHADED POLE, 16 WATT, 1550 RPM, 230 V.	103104008	\$203
	MOTOR, <b>ECM</b> , 16 WATT, 1550 RPM, 115V	107933006	718
WE17-45, WE18-55	MOTOR, <b>ECM</b> , 16 WATT, 1550 RPM, 208-230V	107933003	745
	DRAIN PAN (VENTURI)	20194000	\$388
	FAN BLADES, 12" DIAM., 23° PITCH, CCW , 5/16" BORE	08221169	\$80
	FAN GUARD, WIRE, EPOXY COATED, 12"	201006011	\$103
	MOTOR, SHADED POLE, 1/20 HP, 1550 RPM, 115 V.	08216072	\$220
	MOTOR, SHADED POLE, 1/20 HP, 1550 RPM, 230 V.	08216071	\$220
	MOTOR, <b>ECM</b> , 1/30 HP, 1550 RPM, 115V	08216126	838
MOTOR, <b>ECM</b> , 1/30 HP, 1550 RPM, 230v	08216127	875	

**NOTE: CHECK "CS" FOR STYLE OF 1/20 HP MOTOR FOR WE-17-45, 18-55, AND 28-110**

WE28-110	DRAIN PAN / VENTURI (220061 OR 220061BLK)	NLA	-
	FAN BLADES, 12" DIAM., 19° PITCH, CCW , 5/16" BORE	11860	\$165
	FAN GUARD, WIRE, EPOXY COATED, 12"	201006011	\$103
	MOTOR, SHADED POLE, 1/20 HP, 1550 RPM, 115 V.	102540001	\$220
	MOTOR, SHADED POLE, 1/20 HP, 1550 RPM, 230 V.	102540002	\$239

## MULTICON AIR COOLED CONDENSERS - Common Parts

MODEL NUMBER	DESCRIPTION	PART NUMBER	LIST PRICE
COMMON PARTS	Disconnect, thru the door, 30A	08218990	\$589
	Disconnect, thru the door, 60A	08218991	\$702
	Disconnect, thru the door, 80A	08218992	\$928
	Disconnect, thru the door, 100A	08218993	\$994
	Disconnect, thru the door, 30A, 18" 22" fans	08218379	\$465
	Contactora, 3P, 25-30A, 24V control	08219028	\$101
	Contactora, 3P, 25-30A, 115V control	08219002	\$101
	Contactora, 3P, 25-30A, 208-230V control	08219018	\$109
	Contactora, 3P, 25-30A, 460V control	08219012	\$112
	Contactora, NEMA1,3P,27A,208-230V control	104461733	\$747
	Fan Cycling, Pressure, Standard, R12,R22,R404A,R134A	08219003	\$405
	Fan Cycling, Ambient, Standard, R12,R22,R404A,R134A	08219006	\$180
	Fan Cycling, Pressure, R410A	08219463	\$450
	P66, Single Tap, R22/R404	08219427	\$1,193
	P66, Dual Tap, R22/R404	08219429	\$1,868
	P66, Single Tap, R134A	08219437	\$1,059
	P66, Single Tap,R410A	08219461	\$1,656
	P66,Dual Tap, R410A	08219462	\$2,302
Shut Off Valve (P66 and Pressure cycling)	08356559	\$188	

## SMALL AIR COOLED CONDENSERS - MODELS RDS

MODEL NUMBER	DESCRIPTION	PART NUMBER	LIST PRICE
Models 001 thru 011	MOTOR, .33 HP, 1140RPM, 208-230/3/60/50	08216106	\$540
	MOTOR, PSC, .33 HP, 1140RPM, 208-230/1/60/50	205051004	\$412
	5 MFD CAPACITOR FOR MOTOR 205051004	202163004	\$49
	FAN BLADE, 22" DIA., 28° PITCH, 5/8" bore.	08221154	\$139
	MOTOR, PSC, .33 HP, 1140 RPM, 208-230/1/60/50 for use with P-66	08216008	\$669
	15 MFD CAPACITOR FOR MOTOR 08216008	08352607	\$53
	MOTOR, .33 HP, 1140 RPM, 460/3/60/50	08216107	\$895
	MOTOR, PSC, .33 HP, 1140 RPM, 460/1/60/50 for use with P-66	08216009	\$687
	15 MFD CAPACITOR FOR MOTOR 08216009	08352607	\$53
	MOTOR, .25 HP, 850 RPM, 208-230/460/3/60/50	08216075	\$1,264
	MOTOR, PSC, .25 HP, 850 RPM, 208-230/1/60/50 (Cap. On motor)	08216076	\$1,070
	MOTOR, TOTALLY ENCL., 1/2 HP, 1140 RPM, 208-230/460/3/60/50	08352607	\$53
	MOTOR, PSC, TOT. ENCL., 1/2 HP, 1140 RPM, 208-230/460/1/60/50	08216081	\$1,013
	MOTOR MOUNT FOR .33 HP MOTORS	08397056	\$215
	MOTOR MOUNT FOR .25 HP MOTOR 08216075 & 08216046 WITH 22" FAN	08519019	\$215
	MOTOR MOUNT FOR .25 HP MOTOR 08216075 & 08216046 WITH 18" FAN	08519022	\$215
	FAN GUARD, 18" DIAM., EPOXY COATED WIRE.	08397011	\$132
	FAN GUARD, 22" DIAM., EPOXY COATED WIRE.	08397012	\$158
MODELS 001 & 002	FAN BLADE, 18" DIAM., 34° PITCH, CW, 5/8" BORE (for 1140 RPM MTRS)	08221022	\$141
MODELS 003 thru 011	FAN BLADE, 22" DIAM., 28° PITCH, 1/2" BORE (for 1140 RPM MTRS)	08221154	\$139
MODELS 001 & 002	FAN BLADE, 18" DIAM., 34° PITCH, CW, 1/28" BORE (for 850 RPM MTRS)	08221076	\$136
MODELS 003 thru 009	FAN BLADE, 22" DIAM., 28° PITCH, 5/8" BORE. (for 850 RPM MTRS)	08221023	\$139

## LARGE AIR COOLED CONDENSERS - MODELS RDS/RDD

MODEL NUMBER	DESCRIPTION	PART NUMBER	LIST PRICE
1140 RPM MODELS RDS009 THRU RDD229	MOTOR, 1.5 HP, 1140 RPM, 208-230/460/3/60/50	110204000	\$1,739
	MOTOR, 1.5 HP, 1140 RPM, 575/3/60	118570001	\$2,594
	MOTOR, TOTALLY ENCLOSED, 1.5 HP, 1140 RPM, 208/230/3/60/50	08216154	\$2,913
	FAN BLADE, 30" DIAM., 24° PITCH, 4 BLADE, CW, 5/8 BORE	08221151	\$543
	MOTOR, 1.0 HP, 1140 RPM, 208-230/1/60/50 (USE WITH P-66 CONTROLLER)	08216098	\$2,422
	30 MFD CAPACITOR FOR MOTOR 08216098 (USE WITH P-66 CONT)	08352555	\$78
	FAN BLADE, 30" DIAM., 21° PITCH, 3 BLADE, CW, 5/8 BORE (USE WITH P-66)	08221180	\$449
	MOUNT FOR 1140 RPM MOTORS ABOVE	08522568	\$480
850 RPM MODELS RDS009 THRU RDD213	FAN GUARD, 30" DIAM., EPOXY COATED WIRE.	08221151	\$543
	MOTOR, 1.5 HP, 850 RPM, 208-230/460/3/60/50	08216100	\$2,422
	FAN BLADE, 30" DIAM., 31° PITCH, 5 BLADE, CW, 5/8 BORE (use with 08216100)	08221152	\$301
	MOTOR, 1.0 HP, 850 RPM, 208-230/460/3/60/50	114105000	\$2,422
	MOTOR, 1.0 HP, 850 RPM, 575/3/60	114105002	\$2,958
	MOTOR, 1.0 HP, 850 RPM, 380/3/60	114105001	\$2,544
	FAN BLADE, 30" DIAM., 28° PITCH, 4 BLADE, CW, 5/8 BORE (for 1 HP's above)	08221151	\$543
	MOUNT FOR 850 RPM MOTORS ABOVE	08522568	\$480
550 RPM MODELS RDS008 THRU RDD158	FAN GUARD, 30" DIAM., EPOXY COATED WIRE.	08397044	\$223
	MOTOR, 1/3 HP, 550 RPM, 208-230/460/3/60/50	119226000	\$1,342
	METAL FAN BLADE, 30" DIAM., 31° PITCH, 5 BLADE, CW, 5/8 BORE	08221152	\$301
	SWEPT WING FAN, 30" DIAM., 25° PITCH, CW, 1/2 BORE	08221181	\$543
	FAN BLADE, 30" FB II	121424000	\$763
	MOUNT FOR 550 RPM MOTORS ABOVE	08522568	\$480
	FAN GUARD, 30" DIAM., EPOXY COATED WIRE. (Not for FB II)	08397044	\$223
VSEC MODELS RDS011 THRU 250	FAN GUARD, 30" DIAM. FOR FB II FANS	119397000	\$145
	SHEET METAL STACK FOR FB II FANS	08518318	\$223
	ELECTRONICALLY COMMUTATED MOTOR & FAN ASSEMBLY, 460/3/60	08216161	\$8,920
	ELECTRONICALLY COMMUTATED MOTOR & FAN ASSEMBLY, 208-230/3/60	C/F	C/F

**MULTICON AIR COOLED CONDENSERS - MODELS VAC, VEQ (1 - 4)**

MODEL NUMBER	DESCRIPTION	PART NUMBER	LIST PRICE
VAC 1 - 2 & VEQ 1 - 2	FAN BLADES, 16" DIAM., 34° PITCH, CW, 5/8" BORE	08221022	\$141
VAC 4 & VEQ 3	FAN BLADES, 22" DIAM., 28° PITCH, CW, 5/8" BORE	08221023	\$139
VAC 1 - 2 & VEQ 1 - 2	FAN GUARD, WIRE, EPOXY COATED, 16"	08397006	\$106
VAC 4 & VEQ 3	FAN GUARD, WIRE, EPOXY COATED, 22"	08397012	\$158
VAC 1 - 4	MOTOR, SHADED POLE, 1/2 HP, 1140 RPM, 208-230/460/1	08216006	\$812
VAC 1 - 4	MOTOR, SHADED POLE, 1/2 HP, 1140 RPM, 208-230/460/3	08216007	\$1,425
VEQ 1 & 3	MOTOR, SHADED POLE, 1/4 HP, 825 RPM, 208-230/460/1	08216076	\$1,070
VEQ 2 & 3	MOTOR, SHADED POLE, 1/4 HP, 825 RPM, 208-230/460/3	08216075	\$1,264

**MULTICON AIR COOLED CONDENSERS AND FLUID COOLERS - MODELS VAC, VEQ, FVAC**

VAC, AND FVAC 5 THRU 19	FAN BLADES, 24" DIAM., 30° PITCH, CW, 1/2" BORE (Replaces Part Number 213455000)	08221050	\$341
	FAN GUARD, WIRE, EPOXY COATED, 24"	202136001	\$501
	MOTOR, PSC, 3/4 HP, 1075RPM, 208-230/60/1	205051009	\$1,086
	MOTOR, PSC, 3/4 HP, 1075RPM, 460/1/60	205051002	\$1,195
	MOTOR, 3/4 HP, 1140 RPM, 230/460/3/60	205051012	\$1,782
	MOTOR, PSC, 1/2 HP, 1075RPM, 575/1/60	115952000	\$980
	MOTOR MOUNT, 24"	205269000	\$241
	CAPACITOR, 7.5 MFD, 208/1/60 MOTORS ONLY	202163006	\$53
VAC AND FVAC 22 THRU 216	CAPACITOR, 5 MFD, 230/460/1/60 MOTORS ONLY (Replaces Part Number 202163007)	202163004	\$49
	FAN BLADES, 30" DIAM., 24° PITCH, CW, 5/8" BORE (Replaces Part Number 210385000)	08221151	\$543
	FAN GUARD, WIRE, EPOXY COATED, 30"	202136011	\$197
	MOTOR, 1-1/2 HP, 1140 RPM, 208-230/460/3/60	110204000	\$1,739
	MOTOR, 1-1/2 HP, 1140 RPM, 575/3/60	118570001	\$2,594
VEQ 21 thru VEQ 189	MOTOR MOUNT, 30"	125215001	\$480
	FAN BLADES, 30" DIAM., 24° PITCH, CW, 5/8" BORE (Replaces Part Number 210385000)	08221151	\$543
	FAN GUARD, WIRE, EPOXY COATED, BLACK, 30"	202136011	\$197
	MOTOR, 1 HP, 850 RPM, 208-230/460/3/60	114105000	\$2,422
	MOTOR MOUNT, 30"	125215001	\$480

**AIR COOLED CONDENSERS, ACE**

ALL MODELS	MOTOR, 1/3 HP, 550 RPM, 208-230/460/3/60/50	119226000	\$1,342
	METAL FAN BLADE, 30" DIAM., 31° PITCH, 5 BLADE, CW, 5/8 BORE	08221152	\$301
	SWEPT WING FAN, 30" DIAM., 25° PITCH, CW, 1/2 BORE	08221181	\$543
	FAN BLADE, 30" FB II	121424000	\$763
	MOUNT FOR 550 RPM MOTORS ABOVE	08522568	\$480
	FAN GUARD, 30" DIAM., EPOXY COATED WIRE. (Not for FB II)	08397044	\$223
	FAN GUARD, 30" DIAM. FOR FB II FANS	119397000	\$145
	SHEET METAL STACK FOR FB II FANS	08518318	\$223

**MULTICON AIR COOLED CONDENSERS AND FLUID COOLERS - MODELS RAC, FRAC**

RAC, & FRAC 3/4 TO 1	FAN BLADES, 16" DIAM., 27° PITCH, CW, 1/2" BORE	11905	\$206
RAC & FRAC 1-1/2 THRU 3	FAN BLADES, 20" DIAM., 27° PITCH, CW, 1/2" BORE	214040000	\$300
RAC & FRAC 3/4 TO 1	FAN GUARD, WIRE, EPOXY COATED, 16"	201006004	\$139
RAC & FRAC 1-1/2 TO 3	FAN GUARD, WIRE, EPOXY COATED, 20"	201006007	\$245
ALL MODELS	MOTOR, SHADED POLE, 1/6 HP, 1050 RPM, 115/208-230/1	08216025	NLA

**MULTICON AIR COOLED CONDENSERS AND FLUID COOLERS - MODELS TD, FTD**

ALL MODELS	CAPACITOR, ALL MOTORS, 5 MFD, 208-230/460/1/60	202163004	\$49
ALL MODELS	FAN BLADES, 24" DIAM., 30° PITCH, CW, 1/2" BORE (Replaces Part Number 213455000)	08221050	\$341
ALL MODELS	FAN GUARD, WIRE, EPOXY COATED, 24"	202136001	\$501
ALL MODELS	MOTOR, PSC, 3/4 HP, 1075RPM, 208-230/1/60	205051009	\$1,086
ALL MODELS	MOTOR, PSC, 3/4 HP, 1075RPM, 460/1/60	205051002	\$1,195
ALL MODELS	MOTOR MOUNT, 24"	205269000	\$241

**SMALL AIR COOLED CONDENSERS - MODELS ACS, ACL**

ALL MODELS	FAN BLADES, 22" DIAM., 29° PITCH, CW, 1/2" BORE	08221154	\$139
	FAN CYCLING CONTROL, PRESSURE	08219003	\$405
	FAN CYCLING CONTROL, AMBIENT	08219006	\$180
	P-66 FAN SPEED CONTROL, SINGLE PORT	08219427	\$1,193
	P-66 FAN SPEED CONTROL, DUAL PORT	08219429	\$1,868
	P-66 FAN SPEED CONTROL	08219437	\$1,059
	CONTACTOR, 24 VOLT COIL, 3 POLE	08219028	\$101
	CONTACTOR, 115 VOLT COIL, 3 POLE	08219002	\$101
	CONTACTOR, 208-230 VOLT COIL, 3 POLE	08219018	\$109
	CONTACTOR, 460 VOLT COIL, 3 POLE	08219012	\$112
	TRANSFORMER, 208-230 TO 24V	08218258	\$71
	TRANSFORMER, 480 TO 24V	08218259	\$74
	MOTOR MOUNT, 22"	08397056	\$215
	ACS 001 THRU 012	MOTOR, PSC, 1/3 HP, 208-230/1, 1075 RPM, CW††	08216089
MOTOR, PSC, 1/3 HP, 208-230/3, 1075 RPM, CW††		08216106	\$540
MOTOR, PSC, 1/3 HP, 460/1, 1075 RPM, CW††		08216088	\$622
MOTOR, PSC, 1/3 HP, 460/3, 1075 RPM, CW††		08216107	\$895
MOTOR, PSC, 1/2 HP, 230-460/3, 1075 RPM, CW††		08216068	\$1,211
MOTOR, PSC, 1/2 HP, 575/1, 1075 RPM, CW††		08216036	\$956
ACS 001 THRU 012	CAPACITOR(LOOSE) 208-230 OR 460 MOTORS, 7.5 MFD	08216057	\$31
	MOTOR, PSC, 1/2 HP, 208-230/460/1, 1075 RPM†	08216006	\$812
ACL 001 THRU 011	MOTOR, REV, 1/2 HP, 208-230/460/3, 1125 RPM, 5/8 SHAFT†	08216007	\$1,425
	MOTOR, REV, 1/4 HP, 208-230/460/3, 825 RPM, 5/8 SHAFT†	08216075	\$1,264
ACS, ACL 001 THRU 002	MOTOR, PSC, 1/4 HP, 208-230/460/1, 825 RPM, 5/8 SHAFT†	08216076	\$1,070
	FAN GUARD, WIRE, EPOXY COATED, 18"	08397011	\$132
ACS, ACL 003 THRU 012	MOTOR RAIL 25" (18" FAN)	08519022	\$215
	FAN GUARD, WIRE, EPOXY COATED, 22"	08397012	\$158
	MOTOR RAIL 30" (22" FAN)	08519019	\$215

† FOR USE WITH P-66 FAN SPEED CONTROL MOTOR ONLY

‡ CAPACITOR REQUIRED

**MULTICON COMPUTER ROOM AIR COOLED CONDENSER - MODELS CAC**

MODEL NUMBER	DESCRIPTION	PART NUMBER	LIST PRICE
CAC 5 THRU CAC 80	FAN BLADES, 24" DIAM., 30° PITCH, CW, 1/2" BORE (Replaces Part Number 213455000)	08221050	\$341
	FAN GUARD, WIRE, EPOXY COATED, 24", BLACK	202136005	\$501
	MOTOR, (HEADER END <b>VARI-SPEED</b> ), PSC, 3/4 HP, 1075RPM, 208-230/60/1	205051015	\$1,327
	CAPACITOR, 15 MFD, ( <b>FOR 208/230/1/60 VARI-SPEED MOTOR</b> )	08352607	\$53
	MOTOR, ( <b>NON-HEADER END</b> ), PSC, 3/4 HP, 1075 RPM, <b>208-230/60/1</b>	205051009	\$1,086
	CAPACITOR, 5 MFD, 230/460/1/60 <b>NON VARI-SPEED MOTORS ONLY</b>	202163004	\$49
	MOTOR, (HEADER END <b>VARI-SPEED</b> ), PSC, 3/4 HP, 1075 RPM, <b>460/60/1</b> (CAP not included)	205051016	\$1,437
	CAPACITOR, 15 MFD, ( <b>FOR 460/1/60 VARI-SPEED MOTOR</b> )	08352607	\$53
	MOTOR, ( <b>NON-HEADER END</b> ), PSC, 3/4 HP, 1075 RPM, <b>460/60/1</b> (CAP not included)	205051002	\$1,195
	CAPACITOR, 5 MFD, 230/460/1/60 <b>NON VARI-SPEED MOTORS ONLY</b>	202163004	\$49
	MOTOR MOUNT, 24", ALL CAC MODELS	205269000	\$241
CBC 27 THRU CBC 164	FAN, (HEADER END ONLY) 24" DIAM., 30° PITCH, CW, 1/2" BORE (Replaces 213455000)	08221050	\$341
	FAN, (NON-HEADER END) 30" DIAM., 24° PITCH, CW, 5/8 " BORE (Replaces 210385000)	08221151	\$543
	FAN GUARD, WIRE, EPOXY COATED, 24", BLACK	202136005	\$501
	FAN GUARD, WIRE, EPOXY COATED, 30", BLACK	202136011	\$197
	MOTOR, (HEADER END VARI-SPEED), PSC, 3/4 HP, 1075 RPM, 208-230/60/1	205051015	\$1,327
	MOTOR, (NON-HEADER END), 1-1/2 HP, 1075 RPM, 208-230/460/60/3	110204000	\$1,739
	MOTOR, (HEADER END VARI-SPEED), PSC, 3/4 HP, 1075 RPM, 460/60/1	205051016	\$1,437
	MOTOR MOUNT, (HEADER END), 24"	205269000	\$241
	MOTOR MOUNT, (NON-HEADER END), 30"	125215001	\$480
ALL CAC/CBC MODELS	MOTOR SPEED CONTROLLER, SINGLE INPUT, 208-230/460/1/60 (P66AAB-6)	204464043	\$1,422
ALL CAC/CBC MODELS	MOTOR SPEED CONTROLLER, DUAL INPUT, 208-230/460/1/60 (P66BAB-3)	204464044	\$1,490
ALL MODELS	TRANSFORMER, CONTROL VOLTAGE, PRIMARY 230 V, SECONDARY 24 V	104532008	\$419
	TRANSFORMER, CONTROL VOLTAGE, PRIMARY 460 V, SECONDARY 24 V	104532021	\$419

**NEXT-GEN R-SERIES MINICON - RFH, RFO, RBH, RBO, RVH, RVO**

Next Gen "R" SERIES Minicon - after 11-2015 - ALL MODELS	FIXED LOW CUT OUT CONTROL - HIGH/MED TEMP MODELS	204464232	\$332
	HIGH CUT OUT CONTROL AUTO RESET - ALL MODELS	08219424	\$102
	ADJUSTABLE LOW CUT OUT CONTROL - STANDARD ON LOW TEMP MODELS	08219422	\$332
Next Gen "R" SERIES Minicon - after 11-2015 1/2 THRU 3-1/2 HP MODELS WITH 12" FANS	FAN BLADE, 12" DIAM., 24° PITCH, CCW FOR UNITS WITH PSC MOTORS	08221169	\$80
	FAN BLADE, 12" DIAM., 24° PITCH, CCW FOR UNITS WITH EC MOTORS	08221176	\$79
	MOTOR MOUNT FOR PSC MOTORS WITH 12" FANS	21062000	\$142
	MOTOR MOUNT FOR EC MOTORS WITH 12" FANS	08397068	\$194
	MOTOR, PSC, 1/20 HP, 1550 RPM, 230 V., (CAPACITOR IS PRE-MOUNTED)	08216073	\$344
	MOTOR, PSC, 1/20 HP, 1550 RPM, 460 V., (CAPACITOR IS PRE-MOUNTED)	08216135	\$449
	MOTOR, EC, 50W, 1550 RPM, 230 V	08216125	694
	GRILLE, WIRE, BLACK, 16.88" X 15.75"	08397064	\$305
	GRILLE, WIRE, BLACK, 16.88" X 27.75"	08397065	\$341
	GRILLE, WIRE, BLACK, 19.38" X 27.75"	08397066	\$341
	DISCHARGE T-STAT FOR 3/8" DISCHARGE LINE	08352253	\$272
	DISCHARGE T-STAT FOR 1/2" DISCHARGE LINE	118431442	\$219
	FAN BLADE, 24" DIAM., 28° PITCH, CCW FOR PSC AND EC MOTORS	213266000	\$341
	MOTOR MOUNT - WIRE, 24" FOR PSC AND EC MOTORS	212837000	\$232
	MOTOR, PSC, 1/3 HP, 1075 RPM, 208-230/1	205051004	\$412
	MOTOR, PSC, 3/4 HP, 1075 RPM, 460/1	205051002	\$1,195
Next Gen "R" SERIES Minicon - after 11-2015 3 THRU 6 HP MODELS WITH A 24" FAN	MOTOR, EC, 3/4 HP, 1075RPM, 208-230/1	08216132	1327
	CAPACITOR, 5 MFD, 230/460/1/60 PSC MOTORS ONLY	202163004	\$49
	GRILLE, WIRE, BLACK, 33.14" X 30.13"	08397067	\$392
	DISCHARGE T-STAT FOR 5/8" DISCHARGE LINE	08352256	\$272

**MINICON AIR COOLED CONDENSING UNITS (1/2 - 6 HP)**

**MODELS M\*H, M\*S, M\*O, M\*D, R\*H, R\*S, R\*O, R\*D**

MODEL NUMBER	DESCRIPTION	PART NUMBER	LIST PRICE
1/2 THRU 2 HP MODELS BUILT BEFORE 10 / 2002	FAN BLADE, 12" DIAM., 24° PITCH, CW (Replaces 107943000)	08221153	\$83
	FAN GUARD, WIRE, EPOXY COATED, WHITE., 12" (INDOOR MODELS ONLY) †	08397040	\$120
	FAN GUARD, WIRE, EPOXY COATED, BLACK, 12" (INDOOR MODELS ONLY) †	201006011	\$103
	MOTOR, SHADED POLE, 1/20 HP, 1550 RPM, 230/1 (Replaces 10254004)	08216071	\$220
	MOTOR, SHADED POLE, 1/20 HP, 1550 RPM, 230/1	08216071	\$220
	OUTDOOR HOUSING	OH-MC1	\$857
	MOTOR MOUNT (OUTDOOR MODELS)	21062000	\$142
	MOTOR MOUNT (OUTDOOR MODELS) - S100M / H201M MODELS BEFORE 6/01	21279300	\$142
"R" SERIES 1/2 THRU 3 HP MODELS BUILT 10 / 2002 AND AFTER AND 2 - 3 HP SCROLLS BUILT AFTER 4 / 2003	FAN BLADE, 12" DIAM., 24° PITCH, CCW	119103001	\$83
	FAN GUARD, WIRE, EPOXY COATED, 12" (INDOOR MODELS ONLY)	123334000	\$186
	GRILLE, WIRE, EPOXY COATED, 15" (OUTDOOR MODELS ONLY)	123064000	\$78
	FIXED LOW CUT OUT CONTROL - HIGH/MED TEMP MODELS (EXCEPT "CR" COMP'S)	204464232	\$332
	HIGH CUT OUT CONTROL - ALL MODELS	204464208	\$257
	MOTOR MOUNT (OUTDOOR MODELS)	21062000	\$142
	MOTOR, SHADED POLE, 1/20 HP, 1550 RPM, 230/1	108178002	\$344
	MOTOR, SHADED POLE, 1/20 HP, 1550 RPM, 460/1	102540005	\$328
	MOTOR, PSC, 1/20 HP, 1550 RPM, 230 V., (2 MFD CAPACITOR NOT INCLUDED)	108178002	\$344
	CAPACITOR, 2 MFD, FOR 1/20 230 V. PSC MOTOR	202163009	\$53
MOTOR, ECM, 1/8 HP, 1075 RPM, CCW, 230V	08216129	\$1,035	
2-1/2 THRU 3 HP MODELS BUILT AFTER 4 / 2003	FAN BLADE, 20" DIAM., 18° PITCH, CW	214040000	\$300
	FAN GUARD, WIRE, EPOXY COATED, BLACK, 20" (INDOOR MODELS ONLY)	213484000	\$245
	MOTOR, SHADED POLE, 1/6 HP, 1050 RPM, 230/1 (UNITS BUILT BEFORE MAR. 31, 2001)	08216025	NLA
	MOTOR, PSC, 1/3 HP, 1075 RPM, 208-230/1 (UNITS BUILT AFTER MAR. 31, 2001)	205051004	\$412
	MOTOR, ECM, 1/3 HP, 1075 RPM, CCW, 230V	08216131	1203
ALL 4 THRU 6 HP MODELS AND 2 - 3 HP SCROLLS BUILT BEFORE 4 / 2003	FAN BLADE, 20" DIAM., 29° PITCH, CW ‡	213156000	\$300
	FAN BLADE, 24" DIAM., 28° PITCH, CCW (R-SERIES ONLY)	213266000	\$341
	FAN GUARD, WIRE, EPOXY COATED, BLACK, 20" (INDOOR MODELS ONLY)	213484000	\$245
	GRILLE, WIRE, EPOXY COATED, 30"	124027000	\$341
	MOTOR, PSC, 1/3 HP, 1075 RPM, 208-230/1	205051004	\$412
	MOTOR, PSC, 3/4 HP, 1075 RPM, 460/1	205051002	\$1,195
	MOTOR, ECM, 1/3 HP, 1075 RPM, CCW, 230V	08216131	1203
	CAPACITOR, 5MFD, 230/1 V. PSC MOTORS ONLY	202163004	\$49
	MOTOR MOUNT - WIRE, 24"	212837000	\$232
	MOTOR MOUNT - WIRE, 20" ‡	210225000	\$241
ALL MODELS 1/2 THRU 6 HP	ADJUSTABLE LOW CUT OUT CONTROL ‡ (STD ON "CR" COMP'S) (Replaces 204464021)	08219422	\$332
	HIGH CUT OUT CONTROL - ALL MODELS	204464208	\$257
	HIGH CUT OUT CONTROL ‡	204464049	\$257
	DISCHARGE T-STAT KIT (KLIXON STYLE)	118431442	\$219
	RELAY - DELAY, 90 sec, D.O.B., 230 V	104799010	\$131
	SEQUENCING RELAY - R2, DPDT, 30 AMP, 208/240 V, "ICE CUBE RELAY"	104799020	\$249

NOTES: CONTACT FACTORY FOR SIERRA AND HIGH SIERRA PARTS

† - NOT AVAILABLE FOR "P" REVISION MODELS

‡ - EXCLUDES "R" SERIES UNITS. SEE "R" SERIES FOR REPLACEMENT

**NEXT-GEN II AIR COOLED CONDENSING UNITS (3 THRU 22 HP) - MODELS RFD, RFO, RFB, RBD, RBO, RBB**

ALL MODELS	MOTOR, 3/4 HP, 1140 RPM, 48 FR, 230/3/60	08216205	\$1,482
ALL MODELS	MOTOR, 3/4 HP, 1140 RPM, 48FR, 460/3/60	08216206	\$1,260
ALL MODELS	MOTOR, 1/2 HP, 1075 RPM, 575/1/60	115952000	\$980
ALL MODELS	CAPACITOR, 7.5 MFD, 440V	202163006	\$53
ALL MODELS	FAN BLADE, 24" DIAM., 28° PITCH, CCW, 1/2" HUB	213266000	\$341
ALL MODELS	MOUNT, MOTOR, WIRE, 24", 3-LEG	212837000	\$232
ALL MODELS	PRESSURE CONTROL, DUAL HI/LO, FLARE	204464054	\$733

**"D" STYLE AIR COOLED CONDENSING UNITS (3 THRU 22 HP) - MODELS DC, DE, DL, DS**

MODEL NUMBER	DESCRIPTION	PART NUMBER	LIST PRICE
3L22, 3L52, 3L44, 3L57, 4L22, 4L44, 4L57, 5L22, 5L52, 5L44, 5L57, 6M44, 6L22, 6L52, 6L44, 6L57, 7H22, 7M52, 7M44, 7M57, 8H22, 8M52, 8M44, 8M57, 8L22, 8L44, 8L57, 9L22, 9L52, 9L44, 9L57, 10L22, 10L52, 10L44, 10L57	MOTOR, PSC, 1/3 HP, 1075 RPM, 208-230/1 V. (CAPACITOR NOT INCLUDED)	205051004	\$412
12L22, 12L52, 12L44, 12L57	MOTOR, PSC, 3/4 HP, 1075 RPM, 460/1 V. (CAPACITOR NOT INCLUDED)	205051002	\$1,195
	CAPACITOR, 7.5 MFD, 230/1 V. PSC MOTORS ONLY	202163006	\$53
	MOTOR, <b>ECM</b> , 1/3 HP, 1075 RPM, CCW, 230V/1	08216131	\$1,203
5H22, 5M22, 5M44, 5M57, 10H22, 10M52, 10M44, 10M57, 12H22, 12M44, 15H22, 15M52, 15L52, 15L22, 15L44, 15L57, 22L22, 22L52, 22L44, 22L57	MOTOR, PSC, 3/4 HP, 1075 RPM, 208-230/1 V. (CAPACITOR NOT INCLUDED)	205051009	\$1,086
	MOTOR, PSC, 3/4 HP, 1075 RPM, 460/1 V. (CAPACITOR NOT INCLUDED)	205051002	\$1,195
	MOTOR, PSC, 1/2 HP, 1075RPM, 575/1/60	115952000	\$980
	CAPACITOR, 5MFD, 230/1 V. PSC MOTORS ONLY	202163004	\$49
	MOTOR, <b>ECM</b> , 3/4 HP, 1075 RPM, CCW, 230V/1	08216132	\$1,327
ALL MODELS	CAPACITOR, 5MFD, 460/1 V. PSC MOTORS ONLY	202163004	\$49
VOLTAGE CODES C,D,E,F,G,M,N,Q	FAN BLADE, 24" DIAM., 28° PITCH, CCW, 1/2" HUB	213266000	\$341
VOLTAGE CODES C,D,E,F,G,M,N,Q	MOTOR MOUNT / FAN GUARD, 24", COMBINATION	204340000	\$270
VOLTAGE CODES H, J	MOTOR MOUNT, WIRE, 24", 3-LEG	212837000	\$232
ALL MODELS	CONTROL, DUAL HI/LO, CAP	204464041	\$621
ALL MODELS	OIL FAILURE CONTROL	204464009	NLA

**"V" STYLE AIR COOLED CONDENSING UNITS (20 THRU 80 HP) - MODELS VC, VL, VS**

ALL MODELS	FAN BLADES, 30" DIAM., 24° PITCH, CW, 5/8" BORE (Part replaced with 8221151)	210385000	NLA
ALL MODELS	FAN BLADES, 30" DIAM., 24° PITCH, 4 BLADE, CW, 5/8" BORE	08221151	\$543
ALL MODELS	FAN GUARD, WIRE, EPOXY COATED, 30" (Part replaced with 20136011)	202136006	NLA
ALL MODELS	FAN GUARD, WIRE, EPOXY COATED, 30"	202136011	\$197
ALL MODELS	MOTOR, 1-1/2 HP, 1140RPM, 208-230/460/60/3	110204000	\$1,739
ALL MODELS	MOTOR, 1-1/2 HP, 1140RPM, 575/3	118570001	\$2,594
ALL MODELS	KIT, MOTOR MOUNT, 30", KNCKDOWN, VAC	125215001	\$480

**RUSSETTE AIR COOLED CONDENSING UNITS (1/2 THRU 3 HP) - MODELS RC, RE, RS**

ALL MODELS	FAN BLADES, 20" DIAM., 27° PITCH, CW, 1/2" BORE	214040000	300
ALL MODELS	FAN GUARD, WIRE, EPOXY COATED, BLACK, 20"	213484000	245
ALL MODELS	FAN GUARD, WIRE, EPOXY COATED, BLUE, 20"	201006007	245
ALL MODELS	MOTOR, SHADED POLE, 1/6 HP, 1050 RPM, 115V/230/1	08216025	-

**RUSSCON AIR COOLED CONDENSING UNITS (5 THRU 30 HP) - MODELS H, L, M, HE, LE, ME**

ALL MODELS	FAN BLADE, 24" DIAM., 28° PITCH, CCW ROTATION, 1/2" HUB	213266000	\$341
H31, M31, L35, M51, L55, H51, M61, L65, M81, L85, H81, H82, H101, M101, L105, L155, M61, L65	MOTOR, PSC, 1/3 HP, 1075 RPM, 208-230/1 V. (CAPACITOR NOT INCLUDED)	205051004	\$412
	MOTOR, PSC, 3/4 HP, 1075 RPM, 460/1 V. (CAPACITOR NOT INCLUDED)	205051002	\$1,195
	CAPACITOR, 5MFD, 230/1 V. PSC MOTORS ONLY	202163004	\$49
H102, H151, H152, L205, L255, H202, I305	MOTOR, PSC, 3/4 HP, 1075 RPM, 208-230/1 V. (CAPACITOR NOT INCLUDED)	205051009	\$1,086
	MOTOR, PSC, 3/4 HP, 1075 RPM, 460/1 V. (CAPACITOR NOT INCLUDED)	205051002	\$1,195
	CAPACITOR, 7.5 MFD, 230/1 V. PSC MOTORS ONLY	202163006	\$53
ALL MODELS	MOTOR MOUNT / FAN GUARD, 24", COMBINATION (Part replaced with 212837000)	204340000	\$270
ALL MODELS	MOTOR MOUNT, WIRE, 24"	212837000	\$232

**MISCELLANEOUS SPARE PARTS**

DESCRIPTION	PART NUMBER	LIST PRICE
THERMOSTAT, AMBIENT FAN CYCLE	204464002	480
FAN BLADE, 11", 32° PITCH, CW ROTATION	NLA	-
3/4" BRASS DRAIN FITTING	NLA	-
SLINGER SHIELD - 1/2" SHAFT	102548002	NLA
SLINGER SHIELD - 5/8" SHAFT	102548001	NLA
CONTACTOR, 25 AMP, 3 POLE, 208-230/460	104461097	NLA
CONTACTOR, 30 AMP, 3 POLE, 208-230/460 (Part replaced with 08219963)	104461098	NLA
CONTACTOR, 32 AMP, 3 POLE, 208-230/460	08219963	111
CONTACTOR, 40 AMP, 3 POLE, 208-230/460 (Part replaced with 08219965)	104461099	NLA
CONTACTOR, 40 AMP, 3 POLE, 208-230/460	08219965	139
CONTACTOR, 50 AMP, 3 POLE, 208-230/460 (Part replaced with 08219967)	104461111	NLA
CONTACTOR, 50 AMP, 3 POLE, 208-230/460	08219967	327
CONTACTOR, 75 AMP, 3 POLE, 208-230/460 (Part replaced with 08220037)	104461115	NLA
CONTACTOR, 75 AMP, 3 POLE, 208-230/460	8220037	818

NLA - NO LONGER AVAILABLE



**HIGH SIERRA REPLACEMENT PARTS - LISTING BY PRODUCT MODEL NUMBER**

**LOW TEMP. MODELS\***

**HIGH SIERRA W/R-SERIES CONDENSING UNIT - MODELS RHH, RHS, RHD, RHO**

COMP. TYPE	MODEL NUMBER	DESCRIPTION	PART NUMBER	LIST PRICE
HERMETIC	ALL RHH LOW TEMP. MODELST	VALVE, REVERSING, 1/2 X 7/8 X 7/8	21012	\$655
		STRAINER, CONE, 1/2, 100M	123277001	\$29
		MOTOR, SHADED POLE, 1/20 HP, 1550 RPM, 230/1 (USE 08216071)	102540004	NLA
		MOTOR, SHADED POLE, 1/20 HP, 1550 RPM, 230/1	08216071	\$220
		FAN BLADE, 12" DIAM., 24° PITCH, CCW	119103001	\$83
		LOW CUT OUT CONTROL	204464232	\$332
		HIGH CUT OUT CONTROL	204464208	\$257
		THERMOSTAT, AMBIENT FAN CYCLE	204464002	\$480
	RHH100L44	VALVE, TXV, 3/8 X 1/2 ODF, SWEAT	SBFSE-AA-Z	\$473
		FILTER, LIQUID, BI-FLO, 3/8SW	104471048	\$106
	RHH165L44	VALVE, TXV, 3/8 X 1/2 ODF, SWEAT	SBFSE-A-Z	\$473
	RHH215L44	VALVE, TXV, 3/8 X 1/2 SWEAT	SBFSE-B-Z	\$473
	RHH165L44, RHH215L44	FILTER, LIQUID, BI-FLO, 3/8SW	104471049	\$177
	RHH315L44	VALVE, TXV, 3/8 x 1/2 FL	SBFSE-C-Z	\$605
	FILTER, LIQUID, BI-FLO, 1/2 SW, VEN. PART # BFK 164S	104471046	\$180	
SEMI-HERMETIC	ALL RHS LOW TEMP. MODELST	VALVE, REVERSING, 1/2 X 7/8 X 7/8	21012	\$655
		STRAINER, CONE, 1/2, 100M	123277001	\$29
		MOTOR, SHADED POLE, 1/20 HP, 1550 RPM, 230/1 (USE 08216071)	102540004	NLA
		MOTOR, SHADED POLE, 1/20 HP, 1550 RPM, 230/1	08216071	\$220
		FAN BLADE, 12" DIAM., 24° PITCH, CCW	119103001	\$83
		LOW CUT OUT CONTROL	204464232	\$332
		HIGH CUT OUT CONTROL	204464208	\$257
		THERMOSTAT, AMBIENT FAN CYCLE	204464002	\$480
	RHS075L44	VALVE, TXV, 3/8 X 1/2 ODF, SWEAT	SBFSE-AA-Z	\$473
	RHS075L44, RHS100L44	FILTER, LIQUID, BI-FLO, 3/8SW	104471048	\$106
	RHS100L44, RHS150L44	VALVE, TXV, 3/8 X 1/2 ODF, SWEAT	SBFSE-A-Z	\$473
	RHS150L44, RHS200L44	FILTER, LIQUID, BI-FLO, 3/8SW	104471049	\$177
	RHS200L44, RHS250L44	VALVE, TXV, 3/8 X 1/2 SWEAT	SBFSE-B-Z	\$473
	RHS250L44, RHS300L44	FILTER, LIQUID, BI-FLO, 1/2 SW, VEN. PART # BFK 164S	104471046	\$180
RHS300L44	VALVE, TXV, 3/8 x 1/2 FL	SBFSE-C-Z	\$605	
DISCUS	ALL RHD LOW TEMP. MODELST	VALVE, REVERSING, 5/8 X 1-1/8	16506	\$786
		STRAINER, CONE, 5/8, 40M	123277002	\$29
		FAN GUARD, WIRE, EPOXY COATED, 20" (INDOOR MODELS ONLY)	201006007	\$245
		FAN BLADE, 24" DIAM., 28° PITCH, CCW (R-SERIES ONLY)	213266000	\$341
		LOW CUT OUT CONTROL	204464232	\$332
		HIGH CUT OUT CONTROL	204464208	\$257
		THERMOSTAT, AMBIENT FAN CYCLE	204464002	\$480
	RHD300L44	VALVE, TXV, 3/8 x 1/2 FL	SBFSE-C-Z	\$605
		FILTER, LIQUID, BI-FLO, 1/2 SW, VEN. PART # BFK 164S	104471046	\$180
	RHD400L44, RHD500L44	VALVE, TXV, 5/8 X 7/8ODF, SWEAT	EBSSE-6-Z	\$605
	FILTER, LIQUID, BI-FLO, 1/2 SW, VEN. PART # BFK 304S	104471047	\$242	
SCROLL	ALL RHO LOW TEMP. MODELST	FAN GUARD, WIRE, EPOXY COATED, 20" (INDOOR MODELS ONLY)	201006007	\$245
		FAN BLADE, 24" DIAM., 28° PITCH, CCW (R-SERIES ONLY)	213266000	\$341
		LOW CUT OUT CONTROL	204464232	\$332
		HIGH CUT OUT CONTROL	204464208	\$257
		THERMOSTAT, AMBIENT FAN CYCLE	204464002	\$480
	RHO200L44 - RHO400L44	VALVE, REVERSING, 1/2 X 7/8 X 7/8	21012	\$655
		STRAINER, CONE, 1/2, 100M	123277001	\$29
	RHO500L44 - RHO600L44	VALVE, REVERSING, 5/8 X 1-1/8	16506	\$786
		STRAINER, CONE, 5/8, 40M	123277002	\$29
	RHO200L44	VALVE, TXV, 3/8 X 1/2 ODF, SWEAT	SBFSE-A-Z	\$473
		FILTER, LIQUID, BI-FLO, 3/8SW	104471049	\$177
	RHO250L44, RHO300L44	VALVE, TXV, 3/8 X 1/2 SWEAT	SBFSE-B-Z	\$473
	RHO250L44 - RHO301L44	FILTER, LIQUID, BI-FLO, 1/2 SW, VEN. PART # BFK 164S	104471046	\$180
	RHO301L44, RHO400L44	VALVE, TXV, 3/8 x 1/2 FL	SBFSE-C-Z	\$605
RHO400L44 - RHO600L44	FILTER, LIQUID, BI-FLO, 1/2 SW, VEN. PART # BFK 304S	104471047	\$242	
RHO500L44, RHO600L44	VALVE, TXV, 5/8 X 7/8ODF, SWEAT	EBSSE-6-Z	\$605	

\*PARTS SELECTION MAY VARY BASED UPON SPECIFIC OPERATING CONDITIONS.

NLA - NO LONGER AVAILABLE

†All Low Temperature High Sierra Models with indicated Compressor type (Semi-Hermetic, Hermetic, Scroll or Discus)and Condensing unit.

**HIGH SIERRA REPLACEMENT PARTS (CONT)**

**LOW TEMP. MODELS\***

**HIGH SIERRA W/D-SERIES CONDENSING UNIT - MODELS DHD, DHO**

COMP. TYPE	MODEL NUMBER	DESCRIPTION	PART NUMBER	LIST PRICE
DISCUS	ALL DHD*L44 LOW TEMP. MODELS†	MOTOR, PSC, 1/3 HP, 1075 RPM, 208-230/1	205051004	\$412
		FAN BLADE, 24" DIAM., 28° PITCH, CCW	213266000	\$341
		HI-LO PRESSURE CONTROL	204464041	\$621
		THERMOSTAT, AMBIENT FAN CYCLE	204464002	\$480
	DHD5L44 - DHD9L44	VALVE, REVERSING, 7/8 X 1-3/8 X 1-3/8	21054	\$1,295
		STRAINER, CONE, 7/8, 40M	123277003	\$36
	DHD10L44 - DHD15L44	VALVE, REVERSING, 1-1/8 X 1-5/8 X 1-5/8	21000	\$1,604
		STRAINER, CONE, 1-1/8, 40M	123277004	\$40
	DHD5L44	VALVE, TXV, 5/8 X 7/8ODF, SWEAT	EBSSE-6-Z	\$605
	DHD6L44	VALVE, TXV, 5/8 X 7/8ODF, SWEAT	EBSSE-7 1/2 -Z	\$605
	DHD5L44, DHD6L44	FILTER, LIQUID, BI-FLO, 1/2 SW, VEN. PART # BFK 304S	104471047	\$242
	DHD8L44, DHD9L44	VALVE, TXV, 7/8 X 1-1/8ODF, SWEAT	EBSSE-10-Z	\$754
		FILTER, LIQUID, BI-FLO, 5/8 SW	104471066	\$250
	DHD10L44, DHD12L44	VALVE, TXV, 7/8 X 1-3/8ODF, SWEAT	EBSSE-13-Z	\$754
		FILTER, LIQUID, BI-FLO, 5/8 SW	104471066	\$250
DHD15L44	VALVE, TXV, 7/8 X 1-3/8ODF, SWEAT	EBSSE-13-Z	\$754	
	FILTER, LIQUID, BI-FLO, 7/8 SW	104471193	\$257	
SCROLL	ALL DHO LOW TEMP. MODELS†	MOTOR, PSC, 1/3 HP, 1075 RPM, 208-230/1	205051004	\$412
		FAN BLADE, 24" DIAM., 28° PITCH, CCW	213266000	\$341
		HI-LO PRESSURE CONTROL	204464041	\$621
		THERMOSTAT, AMBIENT FAN CYCLE	204464002	\$480
		FILTER, LIQUID, BI-FLO, 5/8 SW	104471066	\$250
	DHO6L44	VALVE, REVERSING, 5/8 X 1-1/8	16506	\$786
		STRAINER, CONE, 5/8, 40M	123277002	\$29
	DHO6L44, DHO8L44	VALVE, TXV, 5/8 X 7/8ODF, SWEAT	EBSSE-6-Z	\$605
	DHO8L44 - DHO13L44	VALVE, REVERSING, 7/8 X 1-3/8 X 1-3/8	21054	\$1,295
		STRAINER, CONE, 7/8, 40M	123277003	\$36
	DHO10L44, DHO13L44	VALVE, TXV, 7/8 X 1-1/8ODF, SWEAT	EBSSE-10-Z	\$754

**HIGH SIERRA W/V-SERIES CONDENSING UNIT - MODEL VHD**

DISCUS	ALL VHD*L44 LOW TEMP. MODELS†	MOTOR, (NON-HEADER END), 1-1/2 HP, 1075 RPM, 208-230/460/60/3	110204000	\$1,739
		FAN BLADES, 30" DIAM., 24° PITCH, CW, 5/8" BORE (USE 08221151)	210385000	NLA
		FAN BLADES, 30" DIAM., 24° PITCH, CW, 5/8" BORE	08221151	\$543
		HI-LO PRESSURE CONTROL	204464041	\$621
		THERMOSTAT, AMBIENT FAN CYCLE	204464002	\$480
	VHD15L44 - VHD44L44	STRAINER, CONE, 1-3/8, 40M	123277005	\$43
	VHD54L44, VHD60L44	STRAINER, CONE	C/F	-
	VHD15L44, VHD22L44	VALVE, REVERSING, 1-3/8 X 2-1/8, FULL	21049	\$5,114
		VALVE, TXV, 1-1/8 X 1-3/8 SWEAT	OSE-21-Z	\$754
		FILTER SHELL, LIQUID, 7/8	104471021	\$605
	VHD27L44, VHD30L44	VALVE, REVERSING, 1-5/8 X 2-1/8 X 2-1/8	21055	\$6,036
		VALVE, TXV, 1-1/8 X 1-3/8 SWEAT	OSE-30-Z	\$754
		FILTER SHELL, LIQUID, 7/8	104471021	\$605
	VHD44L44	VALVE, REVERSING, 1-5/8 X 2-1/8 X 2-1/8	21055	\$6,036
		VALVE, TXV, 1-1/8 X 1-3/8 ODF, SWEAT	OSE-45-Z	\$754
FILTER SHELL, LIQUID, 1-1/8		104471022	\$727	
VHD54L44, VHD60L44	VALVE, REVERSING, 2-1/8 X 2-5/8 X 2-5/8	21056	\$8,609	
	VALVE, TXV, 1-1/8 X 1-3/8 SWEAT	(2) OSE-30-Z	\$1,508	
	FILTER SHELL, LIQUID, 1-1/8	104471022	\$727	

\*PARTS SELECTION MAY VARY BASED UPON SPECIFIC OPERATING CONDITIONS.

C/F = CONTACT FACTORY

†All Low Temperature High Sierra Models with indicated Compressor type (Semi-Hermetic, Hermetic, Scroll or Discus)and Condensing unit.

‡ V-Series filter is not Bi-Flow Design. Part number is for replaceable core filter (shell only). Core Part # 14471034 (may require more than one core).

**HIGH SIERRA REPLACEMENT PARTS (CON'T)**

**MEDIUM TEMP. MODELS\***

**HIGH SIERRA W/R-SERIES CONDENSING UNIT - MODELS RHS, RHO**

COMP. TYPE	MODEL NUMBER	DESCRIPTION	PART NUMBER	LIST PRICE
R404A S E M I - H E R M E T I C	ALL RHS*M44 MEDIUM TEMP. MODELS†	LOW CUT OUT CONTROL	204464232	\$332
		HIGH CUT OUT CONTROL	204464208	\$257
		THERMOSTAT, AMBIENT FAN CYCLE	204464002	\$480
	RHS050M44 - RHS300M44	VALVE, REVERSING, 1/2 X 7/8 X 7/8	21012	\$655
		STRAINER, CONE, 1/2, 100M	123277001	\$29
		MOTOR, SHADED POLE, 1/20 HP, 1550 RPM, 230/1	102540004	\$220
		FAN BLADE, 12" DIAM., 24" PITCH, CCW	119103001	\$83
	RHS050M44, RHS100M44	VALVE, TXV, 3/8 X 1/2 ODF, SWEAT	SBFSE-A-C	\$473
		FILTER, LIQUID, BI-FLO, 3/8SW	104471048	\$106
	RHS200M44	VALVE, TXV, 3/8 X 1/2 ODF, SWEAT	SBFSE-B-C	\$473
	RHS300M44	FILTER, LIQUID, BI-FLO, 3/8SW	104471049	\$177
		VALVE, TXV, 3/8 X 1/2 ODF, SWEAT	SBFSE-C-C	\$605
	RHS400M44	FILTER, LIQUID, BI-FLO, 1/2 SW, VEN. PART # BFK 164S	104471046	\$180
		VALVE, REVERSING 5/8 X 1-1/8	16506	\$786
		STRAINER, CONE, 5/8, 40M	123277002	\$29
		VALVE, TXV, 5/8 X 7/8 ODF, SWEAT	EBSSE-6-C	\$605
		FILTER, LIQUID, BI-FLO, 1/2 SW, VEN. PART # BFK 304S	104471047	\$242
		FAN GUARD, WIRE, EPOXY COATED, 20" (INDOOR MODELS ONLY)	201006007	\$245
R404A S C R O L L	ALL RHO*M44 MEDIUM TEMP. MODELS†	LOW CUT OUT CONTROL	204464232	\$332
		HIGH CUT OUT CONTROL	204464208	\$257
		THERMOSTAT, AMBIENT FAN CYCLE	204464002	\$480
		FAN BLADE, 24" DIAM., 28" PITCH, CCW (R-SERIES ONLY)	213266000	\$341
		FAN GUARD, WIRE, EPOXY COATED, 20" (INDOOR MODELS ONLY)	201006007	\$245
	RHO200M44	FILTER, LIQUID, BI-FLO, 3/8SW	104471049	\$177
	RHO200M44 - RHO300M44	VALVE, REVERSING, 1/2 X 7/8 X 7/8	21012	\$655
		STRAINER, CONE, 1/2, 100M	123277001	\$29
	RHO250M44 - RHO301M44	VALVE, TXV, 3/8 X 1/2 ODF, SWEAT	SBFSE-C-C	\$605
	RHO301M44 - RHO500M44	FILTER, LIQUID, BI-FLO, 1/2 SW, VEN. PART # BFK 164S	104471046	\$180
		VALVE, REVERSING 5/8 X 1-1/8	16506	\$786
	RHO400M44 - RHO600M44	STRAINER, CONE, 5/8, 40M	123277002	\$29
		VALVE, TXV, 5/8 X 7/8 ODF, SWEAT	EBSSE-6-C	\$605
	RHO600M44	FILTER, LIQUID, BI-FLO, 1/2 SW, VEN. PART # BFK 304S	104471047	\$242
		VALVE, REVERSING, 7/8 X 1-3/8 X 1-3/8	21054	\$1,295
		STRAINER, CONE, 7/8, 40M	123277003	\$36
	RHO650M44	VALVE, TXV, 5/8 X 7/8 ODF, SWEAT	EBSSE-6-C	\$605
		VALVE, REVERSING, 1-1/8 x 1-5/8 X 1-5/8	21000	\$1,604
STRAINER, CONE, 1-1/8, 40M		123277004	\$40	
VALVE, TXV, 5/8 X 7/8 ODF, SWEAT		EBSSE-7 1/2 -C	\$477	
FILTER, LIQUID, BI-FLO, 5/8 SW		104471066	\$250	

**HIGH SIERRA W/D-SERIES CONDENSING UNIT - MODELS DHD, DHO**

R22 D I S C U S	ALL DHD*H22 MEDIUM TEMP. MODELS†	HI-LO PRESSURE CONTROL	204464041	\$621	
		THERMOSTAT, AMBIENT FAN CYCLE	204464002	\$480	
		MOTOR, PSC, 1/3 HP, 1075 RPM, 208-230/1	205051004	\$412	
	DHD5H22	FAN BLADE, 24" DIAM., 28" PITCH, CCW (R-SERIES ONLY)	213266000	\$341	
		VALVE, REVERSING, 5/8 X 1-1/8	16506	\$786	
	DHD5H22 - DHD8H22	STRAINER, CONE, 5/8, 40M	123277002	\$29	
		VALVE, TXV, 5/8 X 7/8 ODF, SWEAT	EBSVE-8-C	\$477	
	DHD7H22, DHD8H22	FILTER, LIQUID, BI-FLO, 5/8 SW	104471066	\$250	
		VALVE, REVERSING, 7/8 X 1-3/8 X 1-3/8	21054	\$1,295	
	DHD10H22	STRAINER, CONE, 7/8, 40M	123277003	\$36	
		VALVE, TXV, 5/8 X 7/8 ODF, SWEAT	EBSVE-11-C	\$830	
	DHD12H22	VALVE, REVERSING, 7/8 X 1-3/8 X 1-3/8	21054	\$1,295	
		STRAINER, CONE, 7/8, 40M	123277003	\$36	
	DHD10H22, DHD12H22	VALVE, REVERSING, 1-1/8 x 1-5/8 X 1-5/8	21000	\$1,604	
		STRAINER, CONE, 1-1/8, 40M	123277004	\$40	
	R404A S C R O L L	ALL DHD*M44 MEDIUM TEMP. MODELS†	VALVE, TXV, 7/8 x 1-1/8 ODF, SWEAT	EBSVE-15-C	\$830
			FILTER, LIQUID, BI-FLO, 7/8 SW	104471193	\$257
			HI-LO PRESSURE CONTROL	204464041	\$621
DHD5M44 - DHD7M44		THERMOSTAT, AMBIENT FAN CYCLE	204464002	\$480	
		MOTOR, PSC, 1/3 HP, 1075 RPM, 208-230/1	205051004	\$412	
DHD5M44 - DHD8M44		FAN BLADE, 24" DIAM., 28" PITCH, CCW (R-SERIES ONLY)	213266000	\$341	
		VALVE, REVERSING, 7/8 X 1-3/8 X 1-3/8	21054	\$1,295	
DHD8M44, DHD10M44		STRAINER, CONE, 7/8, 40M	123277003	\$36	
		VALVE, TXV, 7/8 x 1-1/8 ODF, SWEAT	EBSSE-10-C	\$830	
DHD10M44, DHD12M44		FILTER, LIQUID, BI-FLO, 5/8 SW	104471066	\$250	
		VALVE, REVERSING, 1-1/8 x 1-5/8 X 1-5/8	21000	\$1,604	
DHD12M44		STRAINER, CONE, 1-1/8, 40M	123277004	\$40	
		VALVE, TXV, 7/8 X 1-3/8 ODF, SWEAT	EBSSE-13-C	\$830	
R404A S C R O L L		ALL DHO*M44 MEDIUM TEMP. MODELS†	HI-LO PRESSURE CONTROL	204464041	\$621
			THERMOSTAT, AMBIENT FAN CYCLE	204464002	\$480
			MOTOR, PSC, 1/3 HP, 1075 RPM, 208-230/1	205051004	\$412
		DHO6M44	FAN BLADE, 24" DIAM., 28" PITCH, CCW (R-SERIES ONLY)	213266000	\$341
			VALVE, REVERSING, 5/8 X 1-1/8	16506	\$786
	DHO7M44, DHO8M44	STRAINER, CONE, 5/8, 40M	123277002	\$29	
		VALVE, TXV, 5/8 X 7/8 ODF, SWEAT	EBSSE-7 1/2-C	\$477	
	DHO10M44, DHO13M44	FILTER, LIQUID, BI-FLO, 1/2 SW, VEN. PART # BFK 304S	104471047	\$242	
		VALVE, REVERSING, 7/8 X 1-3/8 X 1-3/8	21054	\$1,295	
	DHO10M44, DHO13M44	STRAINER, CONE, 7/8, 40M	123277003	\$36	
		VALVE, TXV, 7/8 x 1-1/8 ODF, SWEAT	EBSSE-10-C	\$830	
	DHO10M44, DHO13M44	FILTER, LIQUID, BI-FLO, 5/8 SW	104471066	\$250	
		VALVE, REVERSING, 1-1/8 x 1-5/8 X 1-5/8	21000	\$1,604	
	DHO10M44, DHO13M44	STRAINER, CONE, 1-1/8, 40M	123277004	\$40	
		VALVE, TXV, 7/8 X 1-3/8 ODF, SWEAT	EBSSE-13-C	\$830	
	DHO10M44, DHO13M44	FILTER, LIQUID, BI-FLO, 7/8 SW	104471193	\$257	

\*PARTS SELECTION MAY VARY BASED UPON SPECIFIC OPERATING CONDITIONS.

†All Medium Temperature High Sierra Models with indicated Compressor type (Semi-Hermetic, Hermetic, Scroll or Discus)and Condensing unit.

1 Medium Temperature models are only available for warm ambient locations.

**HIGH SIERRA REPLACEMENT PARTS (CON'T)**  
**MEDIUM TEMP. 1 MODELS\***  
**HIGH SIERRA W/R-SERIES CONDENSING UNIT - MODELS RHS, RHO**

COMP. TYPE	MODEL NUMBER	DESCRIPTION	PART NUMBER	LIST PRICE
R404A S E M I - H E R M E T I C	ALL RHS*M44 MEDIUM TEMP. MODELS†	LOW CUT OUT CONTROL	204464232	\$332
		HIGH CUT OUT CONTROL	204464208	\$257
		THERMOSTAT, AMBIENT FAN CYCLE	204464002	\$480
	RHS050M44 - RHS300M44	VALVE, REVERSING, 1/2 X 7/8 X 7/8	21012	\$655
		STRAINER, CONE, 1/2, 100M	123277001	\$29
		MOTOR, SHADED POLE, 1/20 HP, 1550 RPM, 230/1	102540004	\$220
		FAN BLADE, 12" DIAM., 24° PITCH, CCW	119103001	\$83
	RHS050M44, RHS100M44	VALVE, TXV, 3/8 X 1/2 ODF, SWEAT	SBFSE-A-C	\$473
		FILTER, LIQUID, BI-FLO, 3/8SW	104471048	\$106
	RHS200M44	VALVE, TXV, 3/8 X 1/2 ODF, SWEAT	SBFSE-B-C	\$473
		FILTER, LIQUID, BI-FLO, 3/8SW	104471049	\$177
	RHS300M44	VALVE, TXV, 3/8 X 1/2 ODF, SWEAT	SBFSE-C-C	\$605
		FILTER, LIQUID, BI-FLO, 1/2 SW, VEN. PART # BFK 164S	104471046	\$180
	RHS400M44	VALVE, REVERSING 5/8 X 1-1/8	16506	\$786
		STRAINER, CONE, 5/8, 40M	123277002	\$29
		VALVE, TXV, 5/8 X 7/8 ODF, SWEAT	EBSSSE-6-C	\$605
FILTER, LIQUID, BI-FLO, 1/2 SW, VEN. PART # BFK 304S		104471047	\$242	
FAN GUARD, WIRE, EPOXY COATED, 20" (INDOOR MODELS ONLY)		201006007	\$245	
FAN BLADE, 24" DIAM., 28° PITCH, CCW (R-SERIES ONLY)		213266000	\$341	
R404A S C R O L L	ALL RHO*M44 MEDIUM TEMP. MODELS†	LOW CUT OUT CONTROL	204464232	\$332
		HIGH CUT OUT CONTROL	204464208	\$257
		THERMOSTAT, AMBIENT FAN CYCLE	204464002	\$480
	RHO200M44	FAN BLADE, 24" DIAM., 28° PITCH, CCW (R-SERIES ONLY)	213266000	\$341
		FAN GUARD, WIRE, EPOXY COATED, 20" (INDOOR MODELS ONLY)	201006007	\$245
	RHO200M44 - RHO300M44	FILTER, LIQUID, BI-FLO, 3/8SW	104471049	\$177
		VALVE, REVERSING, 1/2 X 7/8 X 7/8	21012	\$655
	RHO250M44 - RHO301M44	STRAINER, CONE, 1/2, 100M	123277001	\$29
		VALVE, TXV, 3/8 X 1/2 ODF, SWEAT	SBFSE-C-C	\$605
	RHO301M44 - RHO500M44	FILTER, LIQUID, BI-FLO, 1/2 SW, VEN. PART # BFK 164S	104471046	\$180
		VALVE, REVERSING 5/8 X 1-1/8	16506	\$786
	RHO400M44 - RHO600M44	STRAINER, CONE, 5/8, 40M	123277002	\$29
		VALVE, TXV, 5/8 X 7/8 ODF, SWEAT	EBSSSE-6-C	\$605
	RHO600M44	FILTER, LIQUID, BI-FLO, 1/2 SW, VEN. PART # BFK 304S	104471047	\$242
		VALVE, REVERSING, 7/8 X 1-3/8 X 1-3/8	21054	\$1,295
	RHO650M44	STRAINER, CONE, 7/8, 40M	123277003	\$36
VALVE, TXV, 5/8 X 7/8 ODF, SWEAT		EBSSSE-6-C	\$605	
VALVE, REVERSING, 1-1/8 x 1-5/8 X 1-5/8		21000	\$1,604	
STRAINER, CONE, 1-1/8, 40M		123277004	\$40	
	VALVE, TXV, 5/8 X 7/8 ODF, SWEAT	EBSSSE-7 1/2 -C	\$477	
	FILTER, LIQUID, BI-FLO, 5/8 SW	104471066	\$250	

**HIGH SIERRA W/D-SERIES CONDENSING UNIT - MODELS DHD, DHC**

R22 D I S C U S	ALL DHD*H22 MEDIUM TEMP. MODELS†	HI-LO PRESSURE CONTROL	204464041	\$621
		THERMOSTAT, AMBIENT FAN CYCLE	204464002	\$480
		MOTOR, PSC, 1/3 HP, 1075 RPM, 208-230/1	205051004	\$412
	DHD5H22	FAN BLADE, 24" DIAM., 28° PITCH, CCW (R-SERIES ONLY)	213266000	\$341
		VALVE, REVERSING, 5/8 X 1-1/8	16506	\$786
	DHD5H22 - DHD8H22	STRAINER, CONE, 5/8, 40M	123277002	\$29
		VALVE, TXV, 5/8 X 7/8 ODF, SWEAT	EBSSVE-8-C	\$477
	DHD7H22, DHD8H22	FILTER, LIQUID, BI-FLO, 5/8 SW	104471066	\$250
		VALVE, REVERSING, 7/8 X 1-3/8 X 1-3/8	21054	\$1,295
	DHD10H22	STRAINER, CONE, 7/8, 40M	123277003	\$36
		VALVE, TXV, 5/8 X 7/8 ODF, SWEAT	EBSSVE-11-C	\$830
	DHD12H22	VALVE, REVERSING, 7/8 X 1-3/8 X 1-3/8	21054	\$1,295
		STRAINER, CONE, 7/8, 40M	123277003	\$36
	DHD10H22, DHD12H22	VALVE, REVERSING, 1-1/8 x 1-5/8 X 1-5/8	21000	\$1,604
		STRAINER, CONE, 1-1/8, 40M	123277004	\$40
	R404A D I S C U S	ALL DHD*M44 MEDIUM TEMP. MODELS†	VALVE, TXV, 7/8 x 1-1/8 ODF, SWEAT	EBSSVE-15-C
FILTER, LIQUID, BI-FLO, 7/8 SW			104471193	\$257
DHD5M44 - DHD7M44		HI-LO PRESSURE CONTROL	204464041	\$621
		THERMOSTAT, AMBIENT FAN CYCLE	204464002	\$480
DHD5M44 - DHD8M44		MOTOR, PSC, 1/3 HP, 1075 RPM, 208-230/1	205051004	\$412
		FAN BLADE, 24" DIAM., 28° PITCH, CCW (R-SERIES ONLY)	213266000	\$341
DHD8M44, DHD10M44		VALVE, REVERSING, 7/8 X 1-3/8 X 1-3/8	21054	\$1,295
		STRAINER, CONE, 7/8, 40M	123277003	\$36
DHD10M44, DHD12M44		VALVE, TXV, 7/8 x 1-1/8 ODF, SWEAT	EBSSSE-10-C	\$830
		FILTER, LIQUID, BI-FLO, 5/8 SW	104471066	\$250
DHD12M44		VALVE, REVERSING, 1-1/8 x 1-5/8 X 1-5/8	21000	\$1,604
		STRAINER, CONE, 1-1/8, 40M	123277004	\$40
		VALVE, TXV, 7/8 X 1-3/8 ODF, SWEAT	EBSSSE-13-C	\$830
		FILTER, LIQUID, BI-FLO, 7/8 SW	104471193	\$257
		VALVE, REVERSING, 1-3/8 X 2-1/8, FULL	21049	\$5,114
	STRAINER, CONE, 1-3/8, 40M	123277005	\$43	
	VALVE, TXV, 7/8 X 1-3/8 ODF, SWEAT	EBSSSE-13-C	\$830	
R404A S C R O L L	ALL DHO*M44 MEDIUM TEMP. MODELS†	HI-LO PRESSURE CONTROL	204464041	\$621
		THERMOSTAT, AMBIENT FAN CYCLE	204464002	\$480
		MOTOR, PSC, 1/3 HP, 1075 RPM, 208-230/1	205051004	\$412
	DHO6M44	FAN BLADE, 24" DIAM., 28° PITCH, CCW (R-SERIES ONLY)	213266000	\$341
		VALVE, REVERSING, 5/8 X 1-1/8	16506	\$786
	DHO7M44, DHO8M44	STRAINER, CONE, 5/8, 40M	123277002	\$29
		VALVE, TXV, 5/8 X 7/8 ODF, SWEAT	EBSSSE-7 1/2-C	\$477
	DHO10M44, DHO13M44	FILTER, LIQUID, BI-FLO, 1/2 SW, VEN. PART # BFK 304S	104471047	\$242
		VALVE, REVERSING, 7/8 X 1-3/8 X 1-3/8	21054	\$1,295
	DHO10M44, DHO13M44	STRAINER, CONE, 7/8, 40M	123277003	\$36
		VALVE, TXV, 7/8 x 1-1/8 ODF, SWEAT	EBSSSE-10-C	\$830
		FILTER, LIQUID, BI-FLO, 5/8 SW	104471066	\$250
		VALVE, REVERSING, 1-1/8 x 1-5/8 X 1-5/8	21000	\$1,604
		STRAINER, CONE, 1-1/8, 40M	123277004	\$40
		VALVE, TXV, 7/8 X 1-3/8 ODF, SWEAT	EBSSSE-13-C	\$830
		FILTER, LIQUID, BI-FLO, 7/8 SW	104471193	\$257

\*PARTS SELECTION MAY VARY BASED UPON SPECIFIC OPERATING CONDITIONS.

†All Medium Temperature High Sierra Models with indicated Compressor type (Semi-Hermetic, Hermetic, Scroll or Discus)and Condensing unit.

\* Medium Temperature models are only available for warm ambient locations.

**HIGH SIERRA REPLACEMENT PARTS (CON'T)**  
**MEDIUM TEMP.<sup>1</sup> MODELS\***  
**HIGH SIERRA W/V-SERIES CONDENSING UNIT - MODEL VHD**

COMP. TYPE	MODEL NUMBER	DESCRIPTION	PART NUMBER	LIST PRICE
R22	ALL VHD*H22 MEDIUM TEMP. MODELS †	HI-LO PRESSURE CONTROL	204464041	\$621
		THERMOSTAT, AMBIENT FAN CYCLE	204464002	\$480
		MOTOR, (NON-HEADER END), 1-1/2 HP, 1075 RPM, 208-230/460/60/3	110204000	\$1,739
		FAN BLADES, 30" DIAM., 24° PITCH, CW, 5/8" BORE (Replaces 210385000)	08221151	\$543
	VHD15H22	VALVE, REVERSING, 1-1/8 x 1-5/8 X 1-5/8	21000	\$1,604
		STRAINER, CONE, 1-1/8, 40M	123277004	\$40
	VHD15H22, VHD20H22	VALVE, TXV, 7/8 x 1-3/8ODF, SWEAT	EBSVE-20-C	\$830
		FILTER SHELL, LIQUID, 7/8 §	104471021	\$605
	VHD20H22 - VHD30H22	VALVE, REVERSING, 1-3/8 X 2-1/8, FULL	21049	\$5,114
		STRAINER, CONE, 1-3/8, 40M	123277005	\$43
	VHD25H22, VHD30H22	VALVE, TXV, 1-1/8 X 1-3/8 SWEAT	OVE-30-C	\$830
		FILTER SHELL, LIQUID, 7/8 §	104471021	\$605
	VHD25H22	FILTER SHELL, LIQUID, 1-1/8 §	104471022	\$727
	VHD35H22 - VHD50H22	VALVE, REVERSING, 1-5/8 X 2-1/8 X 2-1/8	21055	\$6,036
		STRAINER, CONE, 1-3/8, 40M	123277005	\$43
		FILTER SHELL, LIQUID, 1-1/8 §	104471031	\$1,050
	VHD35H22, VHD40H22	VALVE, TXV, 1-1/8 X 1-3/8 SWEAT	OVE-40-C	\$830
	VHD50H22, VHD60H22‡	VALVE, TXV, 1-1/8 X 1-3/8 SWEAT	(2) OVE-30-C	\$1,660
	VHD60H22‡	FILTER SHELL, LIQUID, 1-3/8 §	104471032	\$1,306
	VHD60H22‡, VHD70H22‡	VALVE, REVERSING, 2-1/8 X 2-5/8 X 2-5/8	21056	\$8,609
VHD70H22‡, VHD80H22‡	VALVE, TXV, 1-1/8 X 1-3/8 SWEAT	(2) OVE-40-C	\$1,660	
	FILTER SHELL, LIQUID, 1-5/8 §	104471033	\$1,539	
VHD80H22‡	VALVE, REVERSING, 2-5/8 X 3-1/8 X 3-1/8	21057	\$14,939	
R404A	ALL VHD*M44 MEDIUM TEMP. MODELS	HI-LO PRESSURE CONTROL	204464041	\$621
		THERMOSTAT, AMBIENT FAN CYCLE	204464002	\$480
		MOTOR, (NON-HEADER END), 1-1/2 HP, 1075 RPM, 208-230/460/60/3	110204000	\$1,739
		FAN BLADES, 30" DIAM., 24° PITCH, CW, 5/8" BORE (Replaces 210385000)	08221151	\$543
	VHD15M44, VHD20M44	VALVE, REVERSING, 1-3/8 X 2-1/8, FULL	21049	\$5,114
		STRAINER, CONE, 1-3/8, 40M	123277005	\$43
		VALVE, TXV, 1-1/8 X 1-3/8 ODF, SWEAT	OSE-21-C	\$830
		FILTER SHELL, LIQUID, 7/8 §	104471021	\$605
	VHD25M44 - VHD35M44	VALVE, REVERSING, 1-5/8 X 2-1/8 X 2-1/8	21055	\$6,036
		STRAINER, CONE, 1-3/8, 40M	123277005	\$43
		VALVE, TXV, 1-1/8 x 1-3/8 SWEAT	OSE-30-C	\$830
	VHD25M44	FILTER SHELL, LIQUID, 7/8 §	104471021	\$605
	VHD30M44	FILTER SHELL, LIQUID, 1-1/8 §	104471022	\$727
	VHD35M44 - VHD50M44§	FILTER SHELL, LIQUID, 1-1/8 §	104471031	\$1,050
	VHD40M44‡ - VHD60M44‡	VALVE, REVERSING, 2-1/8 X 2-5/8 X 2-5/8	21056	\$8,609
	VHD40M44‡	VALVE, TXV, 1-1/8 X 1-3/8 ODF, SWEAT	OSE-35-C	\$830
	VHD50M44‡, VHD60M44‡	VALVE, TXV, 1-1/8 X 1-3/8 ODF, SWEAT	OSE-45-C	\$830
	VHD60M44‡	FILTER SHELL, LIQUID, 1-3/8 §	104471032	\$1,306
	VHD70M44‡, VHD80M44‡	VALVE, REVERSING, 2-5/8 X 3-1/8 X 3-1/8	21057	\$14,939
		FILTER SHELL, LIQUID, 1-5/8 §	104471033	\$1,539
VHD70M44‡	VALVE, TXV, 1-1/8 x 1-3/8 SWEAT	(2) OSE-30-C	\$1,660	
VHD80M44‡	VALVE, TXV, 1-1/8 X 1-3/8 ODF, SWEAT	(2) OSE-35-C	\$1,660	

\*PARTS SELECTION MAY VARY BASED UPON SPECIFIC OPERATING CONDITIONS.

C/F = CONTACT FACTORY

†All Medium Temperature High Sierra Models with indicated Compressor type (Semi-Hermetic, Hermetic, Scroll or Discus)and Condensing unit.

‡ Contact Factory for Reverse Valve Strainer

§ V-Series filter is not Bi-Flow Design. Part number is for replaceable core filter (shell only). Core Part # 14471034 (may require more than one core).

<sup>1</sup> Medium Temperature models are only available for warm ambient locations.

**APEX REFRIGERATION SYSTEM, XN, XT**

MODEL NUMBER	DESCRIPTION	PART NUMBER	LIST PRICE
XN026M THRU XN037M, XN018L	CONDENSER AND EVAP. MOTOR, PSC, 16W, 1550 RPM, 115V	107933001	\$413
	CAPACITOR FOR THIS MOTOR, 5µF, 440V	202163004	\$49
	EVAPORATOR MOTOR, 115V, 16W, 1550 RPM, SP	103104007	\$203
	EVAPORATOR MOTOR, 115V, 16W, 1550 RPM, ECM	107933006	\$718
XN050M, XN024L	CONDENSER AND EVAP. MOTOR, PSC, 1/20 HP, 1550 RPM, 115V	08216074	\$303
	CAPACITOR FOR THIS MOTOR, 3µF, 370V	202163010	\$48
	EVAPORATOR MOTOR, 115V, 1/20 HP, 1550 RPM, SP	08216072	\$220
	EVAPORATOR MOTOR, 115V, 50W, 1550 RPM, ECM	08216124	\$674
X*050M THRU X*134M, X*024L THRU X*068L	CONDENSER AND EVAPORATOR MOTOR, 208-230V, 1/20 HP, 1550 RPM, PSC	08216073	\$344
	CAPACITOR FOR THIS MOTOR, 2µF, 370V	202163009	\$53
	EVAPORATOR MOTOR, 208-230V, 1/20 HP, 1550 RPM, SP	08216071	\$220
	EVAPORATOR MOTOR, 208-230V, 50W, 1550 RPM, ECM	08216125	\$694
XN026M THRU XN037M, XN018L	CONDENSER MOTOR MOUNT	10243000	\$103
	EVAPORATOR MOTOR MOUNT	12003000	\$55
X*050M THRU X*134M, X*024L THRU X*068L	CONDENSER AND EVAPORATOR MOTOR MOUNT (FOR SP AND PSC MOTORS)	21062000	\$142
	CONDENSER AND EVAPORATOR MOTOR MOUNT LEG (FOR ECM MOTORS, 3 REQUIRED PER MOTOR)	08522938	\$45
XN026M THRU XN037M, XN018L	CONDENSER FAN, 10 INCH DIAM., 31" PITCH, CCW	204395018	\$55
	EVAPORATOR FAN, 8 INCH DIAM., 36" PITCH, CW	08221167	\$48
X*050M THRU X*134M, X*024L THRU X*068L	CONDENSER FAN, 12 INCH DIAM., 23" PITCH, CCW	08221169	\$80
	EVAPORATOR FAN, 10 INCH DIAM., 31" PITCH, CW (FOR SP AND PSC MOTORS)	08221168	\$51
	EVAPORATOR FAN, 10 INCH DIAM., 30" PITCH, CW (FOR ECM MOTORS)	08221174	\$51
	ALL	HIGH PRESSURE CONTROL, 400 PSIG	08219424
XT050M THRU XT134M, XT024L THRU XT068L	CONDENSER MOTOR PRESSURE CONTROL	08219417	\$408
XT106M AND XT134M, XT051L AND 068L	CONDENSER MOTOR TEMPERATURE CONTROL	08219019	\$80
XN018L THRU X*068L	DEFROST HIGH LIMIT THERMOSTAT	103079003	\$130
XN050M AND XN024L	EVAPORATOR MOTOR RELAY, 115 VOLT COIL	08218979	\$53
X*050M THRU X*134M, X*024L THRU X*068L	EVAPORATOR MOTOR RELAY, 208-230 VOLT COIL	08218181	\$56
XN026M THRU XN037M, XN018L	COMPRESSOR CONTACTOR, 115 VOLT COIL	08218979	\$53
XN050M AND XN024L	COMPRESSOR CONTACTOR, 115 VOLT COIL	08219002	\$101
X*050M THRU X*134M, X*024L THRU X*068L	COMPRESSOR CONTACTOR, 208-230 VOLT COIL	08219018	\$109
ALL 115 VOLT FREEZERS	ELECTRONIC CONTROLLER , PROGRAMMED - LOW TEMP	08522796	\$680
ALL 208-230 VOLT FREEZERS	ELECTRONIC CONTROLLER, PROGRAMMED- LOW TEMP	08522797	\$680
ALL 115 VOLT COOLERS	ELECTRONIC CONTROLLER , PROGRAMMED - HIGH TEMP	08522798	\$680
ALL 208-230 VOLT COOLERS	ELECTRONIC CONTROLLER, PROGRAMMED - HIGH TEMP	08522799	\$680
ALL	ELECTRONIC COMTROLLER BOX AND DEFROST TEMPERATURE SENSOR	08219958	\$79
ALL	LATCHES FOR EVAPORATOR COVER	08326021	\$27
ALL	GASKET FOR TOP AND BOTTOM OF EVAPORATOR SECTION (ORDER/ FT)	08343051	\$20
XN026M THRU XN037M, XN018L	DEFROST HEATER, COIL, 400 WATTS, 22.5" LONG, 120V	08215137	\$279
XN050ME44A, XN024L	DEFROST HEATER, COIL, 375 WATTS, 26.5" LONG, 120V	08215144	\$256
X*050M THRU X*076M, X*024L THRU X*043L	DEFROST HEATER, COIL, 375 WATTS, 26.5" LONG, 240V	08215138	\$281
X*106M THRU X*134M, X*051L AND X*068L	DEFROST HEATER, COIL, 600 WATTS, 40.5" LONG, 240V	08215139	\$394
XN026M THRU XN037M, XN018L	DEFROST HEATER, DP, 400 WATTS, 19.5" LONG, 120V	08215140	\$257
XN050ME44A, XN024L	DEFROST HEATER, DP, 500 WATTS, 22.0" LONG, 120V	08215145	\$269
X*050M THRU X*076M, X*024L THRU X*043L	DEFROST HEATER, DP, 500 WATTS, 22.0" LONG, 240V	08215141	\$286
X*106M THRU X*134M, X*051L AND X*068L	DEFROST HEATER, DP, 600 WATTS, 35.0" LONG, 240V	08215142	\$341
XT050M THRU XT134M, XT024L THRU XT068L	DRAIN LINE HEATER	08215143	\$177
XT050M THRU XT134M, XT024L THRU XT068L	DRAIN LINE THERMOSTAT	103079003	\$130

\*\* REQUIRES THE PURCHASE OF A NEW MOTOR MOUNT (21062000) TO FIT THE MOTOR

**MOTOR CROSS-REFERENCE CHART**

MOTOR HP	VOLT	PH.	RPM	MODEL APPLICATION	PART	LIST	SHPG WT
					NUMBER	PRICE	LBS
43 WATTS (INPUT) CW ROTATION	115V	1	3000	FT, MDF, MUF, MTW, SL, TT	102249005	\$173	2
	230 V	1	3000		102249007	\$173	2
4 WATTS	115V	1	1550	HI, TW, WA, WE	103104002	\$141	2
9 WATTS	115V	1	1550	FL, FT, HI, TW, WA, WE	103104004	\$171	2
	230V	1	1550	FL, FT, HI, TW, WA, WE	103104005	\$171	2
16 WATTS (ALL ANGLE)	115 V	1	1550	AL, CTA, CTE, FL, FT, SL, ASL, WE	103104007	\$203	4
	230 V	1	1550		103104008	\$203	3
16 WATTS PSC (OPTIONAL no cap.)	115 V	1	1550	AL, CTA, CTE, FL, SL, ASL, WE	107933001	\$413	4
	230 V	1	1550		107933002	NLA	—
1/20 HP SHADED POLE	115 V	1	1550	ALL TEMP <sup>2</sup> , ALL TEMP <sup>2</sup> B & MINICON 1/2 - 2 HP	102540003 (USE 08216072)	NLA	—
	115 V	1	1550		08216072	\$220	3
	230 V	1	1550		102540004* (USE 08216071)	NLA	—
	230 V	1	1550		08216071	\$220	3
	460 V	1	1550		102540005	\$328	3
1/20 HP  PSC  (OPTIONAL)	115 V	1	1550	ALL TEMP <sup>2</sup> , ALL TEMP <sup>2</sup> B	108178001 (USE 08216074)	NLA	—
	115 V	1	1550		08216074	\$303	4
	230 V	1	1550		108178002 (USE 08216073)	NLA	—
	230 V	1	1550	08216073	\$344	4	
	230 V	1	1550	MINICON (ONLY)	108178002 (USE 08216073)	NLA	—
	230 V	1	1550		08216073	\$344	4
1/20 HP SHADED POLE	115 V	1	1550	HI, TW, WA, WE	102540001	\$220	3
	230 V	1	1550		102540002	\$239	3
1/15 HP SHADED POLE	115 V	1	1050	INTER TEMP Prior to April, 1994	NLA	-	—
	460 V	1	1050		NLA	-	—
1/12HP SHADED POLE	115 / 230 V	1	1050	HI, TW, WA, RAC	08216119	\$618	8
1/8 HP PSC	115 V	1	1075	INTER TEMP after March, 1996 (between 4/94 & 3/96 see page 9)	115248001	\$821	11
	230 V	1	1075		115248002	\$821	11
	460 V	1	1075		115248003	\$870	11
1/6 HP SHADED POLE	115/230V	1	1050	SU, HI, TW, RAC, RE, RC, RS, MINICON 3 HP	102542007	-	—
1/3 HP PSC	115 V	1	1075	SU Hi-Cap, UA, ASU, RC, REC, MINICON 4-6 HP	08216025	-	—
	230 V	1	1075		205051005	\$792	12
	460 V	1	1075		205051004	\$412	12
					205051006	\$777	12
1/3 HP PSC LO-GREASE	115 V	1	1075	INTER-TEMP, ULTRA-TEMP	205051020	\$890	12
	230 V	1	1075		205051019	\$984	12
	460 V	1	1075		205051021	\$1,086	12
1/4HP (#130)	230 V	3	1140	SU, UA	NLA	-	—
	460 V	3	1140		NLA	-	—
1/3 HP	230/460 V	3	550	VRQ	119226000	\$1,342	13
3/4HP TEAO	230/460 V	3	1140	TD, CAC, VAC 5-19,	NLA	-	—
3/4HP PSC	230 V	1	1075	CAC, VAC 5-19, TD, RC, REC, DE, DS	205051009	\$1,086	18
	460 V	1	1075		205051002	\$1,195	17
3/4HP PSC	230 V	1	1075	CAC VARI SPEED	205051015	\$1,327	20
	460 V	1	1075		205051016	\$1,437	20
3/4HP PSC	208-230 V	1	1625	UT, ASU, AUT	205051007	\$1,112	18
	460 V	1	1625		205051008	\$1,196	17
3/4HP	230/460 V	3	1725	UT, ASU, AUT	123123000	\$1,201	18
3/4HP LO-GREASE	230/460 V	3	1725	UT, ASU, AUT	125101000	\$2,172	18
3/4HP PSC LO-GREASE	208-230 V	1	1075	UT, UA	118187000	\$1,371	18
	460 V	1	1075		118186000	\$1,569	17
1 HP	230/460 V	3	850	VEQ	114105000	\$2,422	24
1-1/2 HP	208-230/460 V	3	1140	VAC 22-144, CAC 56-72	110204000	\$1,739	37

\* Replacement for All- Temp models ONLY, see note below for MiniCon models

NLA - NO LONGER AVAILABLE



## PRINCIPAL TERMS AND CONDITIONS OF SALE

Prices effective January 1, 2020

1. **Applicable Law and Terms of Sale:** All orders shall be subject to the following terms and conditions notwithstanding any additional or contrary printed terms and conditions of Buyer. Such additional or contrary terms shall not bind Seller unless accepted in writing even though such terms do not materially alter the terms hereof. No oral statements, warranties, stipulations, representations or terms shall have any binding effect or be any part of the contract whatsoever.
2. **Orders:** All orders must be in writing and will be binding when our order acknowledgment is mailed. Orders are accepted subject to strikes, fires, accidents, and other causes beyond our reasonable control. Acceptance of your order is conditioned upon an agreement to hold us harmless by reason of delivery delays.
3. **Prices:** Prices are subject to change without notice, and all quotations, unless otherwise specified, are binding only for immediate acceptance. Prices are based on material made to Seller's standard tolerances, unless otherwise specified.
4. **Freight:** All products are shipped FOB Point of Shipment with full freight allowed on single orders with a net price value of \$10,000.00 or more, except surface coils and parts, within the continental USA (excluding Alaska and Hawaii). Routing and selection of carrier will be made by Seller. For special routing requests, Buyer will bear all additional costs for such routing. Equipment is shipped at Buyer's risk. Buyer should examine equipment before signing transportation receipt. If equipment is received damaged or if quantity received does not match freight bill, the Buyer should require agent to so indicate on freight bill and immediately file a damage/missing claim. Our liability ceases upon delivery of equipment in good order to the freight carrier.
5. **Taxes:** Any sales, use, excise, or similar tax payable by Seller which is or may be imposed by any taxing authority upon manufacture, sale or delivery of goods covered by any order or any increase in rate of any such tax now in force, shall be added to the sales price; if not collected at the time of payment of sales price, Buyer will hold Seller harmless.
6. **Limited Warranty:** Seller warrants against defect in materials and workmanship in products which it manufactures for (1) year from date of installation or up to (18) eighteen months from the date of shipment, whichever event occurs first, when properly installed and operated under normal use. This guarantee does not include any labor or other charges made outside of the Seller's factory for replacement or repair of defective parts unless specifically stated in the body of the Seller's invoice. On parts not manufactured by Seller, such as motors, controls, valves and compressors we extend to the Buyer the same warranties made to us by the manufacturer. Seller's only liability under this warranty or otherwise shall be the repair or replacement (at Seller's option) of non-conforming goods or parts. Seller assumes no liability for incidental or consequential damages such as injury to person or property, or lost profits.
7. **THIS GUARANTEE SUPERSEDES AND IS IN LIEU OF ANY AND ALL OTHER WARRANTIES BY LAW OR CUSTOM, EITHER EXPRESSED OR IMPLIED INCLUDING, BUT NOT LIMITED BY THIS ENUMERATION, ANY GUARANTEE AS TO QUALITY OR FITNESS FOR ANY PARTICULAR PURPOSE, EXCEPT AS SET FORTH ABOVE. NO PERSON, AGENT, OR DEALER IS AUTHORIZED TO GIVE ANY WARRANTIES ON BEHALF OF SELLER NOR TO ASSUME FOR SELLER ANY OTHER LIABILITY IN CONNECTION WITH ANY OF THE SELLER'S PRODUCTS.**
8. **Delivery:** Seller shall not be liable for any delays in or failure of delivery due to acts of God or public authority, labor disputes, accidents, fires, floods, extreme weather conditions, failure of and delays by carriers, shortages of material, delays of a supplier, and any other cause beyond Seller's control. In no event shall Seller be liable for consequential or special damages arising out of a delay in or failure of delivery. Failure to meet estimated ship dates will not be considered sufficient cause of cancellation of orders.
9. **Cancellations and Returned Goods:** Permission to return any part or product must be obtained from Seller and may be subject to a restocking charge. Credits for new material accepted for return will be at the original sales price or current market price, whichever is lower, less handling and restocking charges. Buyer must prepay all transportation charges. Any costs for putting material in condition for resale will be charged to the Buyer. Shipment of material returned without factory authorization or not properly tagged with a Return Material Authorization Number or not freight prepaid cannot be received by Seller. Obsolete products or material made to special order are not returnable.
10. **Catalog Materials and Drawings:** Seller is not responsible for typographical errors or other errors of omission in Seller's catalogs or drawings.
11. **Late Charge Provision:** Buyer agrees to pay a late charge of 1-1/2% per month (18% per year) for any invoice or bill not paid within (30) thirty days of the date of the billing invoice.
12. **Choices of law, Disputes:** This agreement and the performance of the parties hereunder shall be construed in accordance with and governed by the laws of the State of Georgia and shall be deemed made in the state. Buyer irrevocably consents to the exclusive jurisdiction of the courts of Fulton County, on all matters arising out of or relating to this sale and Buyer further irrevocably consents to service of process by certified mail, return receipt requested, at Buyer's address set forth in the order acknowledgement.

The above terms and conditions apply to all orders placed with the Seller. Buyer acknowledges having read and understood these terms and conditions and agrees to abide by them upon placement of any order with the Seller. In the event it becomes necessary to refer the account to a collection agency or to institute legal action to obtain payment of the account, Buyer agrees to pay all reasonable attorney fees and court costs incurred by such action.

