



All products, except surface coils and parts, are shipped F.O.B. point of shipment with full freight allowed on single orders with a net price value of \$10,000 or more, within the continental USA (excluding Alaska and Hawaii). Buyer will bear all additional costs for special routing or handling requests. See page 40 additional freight instructions.

Table with 2 columns: Product Category and Page. Categories include Reach-In Unit Coolers, Walk-In Unit Coolers, Condensing Units, and Air Cooled Condensers. Lists various models and their corresponding page numbers.

Due to ongoing product development, specification and prices are subject to change without notice.

TELEPHONE (256) 259-7400
FAX ORDER HOTLINE (256) 259-7478

Call or email us for help with replacement parts at: parts@htpgusa.com
Visit us on the Web at http://witt.htpg.com

ASL SPECIAL UNIT COOLERS

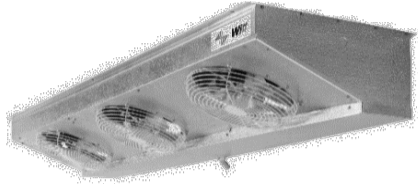
COOLER APPLICATION - AIR DEFROST

AIR DEFROST MODEL NUMBER	EC MOTORS	PSC MOTORS	SP MOTORS	BAKED EPOXY COATED CORE MODEL NO.	BAKED EPOXY COIL w/ ECM	BAKED EPOXY COIL w/ PSC	BAKED EPOXY COIL w/ SP	DIMENSIONS			APPROX. SHIP WT. (LBS.)
	115 or 230V	115V only	115 or 230V		115 or 230V	115V only	115 or 230V	HT (IN)	LT (IN)	DP (IN)	
ASLA 25-48	\$3,392	\$2,508	N/A	ASLA 25-48RP	\$4,537	\$3,764	N/A	9-3/16	46-3/16	19-3/16	83
ASLA 25-61	3,491	2,870	N/A	ASLA 25-61RP	4,605	3,815	N/A	9-3/16	56-3/16	19-3/16	105
ASLA 35-73	3,743	2,925	N/A	ASLA 35-73RP	4,959	4,001	N/A	9-3/16	69-3/16	19-3/16	125
ASLA 45-98	4,495	3,454	N/A	ASLA 45-98RP	5,650	4,492	N/A	9-3/16	92-3/16	19-3/16	151
ASLA 55-122	5,270	3,990	N/A	ASLA 55-122RP	6,431	5,044	N/A	9-3/16	115-3/16	19-3/16	185
ASLA 65-158	5,989	4,476	N/A	ASLA 65-158RP	7,234	5,393	N/A	9-3/16	138-3/16	19-3/16	222

Specify voltage when ordering - add an "A" for 115V and "D" for 230V. See example below.

230V PSC motors are not available for ASLA or ASLE models

Shaded Pole motors are no longer available for ASLA or ASLE models



For normal and low temperature glass display and solid door uprights, walk-ins salad boxes and back bars from 4,600 to 15,800 BTUH.

FREEZER APPLICATION - ELECTRIC DEFROST

ELECTRIC DEFROST MODEL NUMBER	230V EC MOTORS 230V1 HEATERS	230V/1 SP MOTORS 230V1 HEATERS	DIMENSIONS			APPROX. SHIP WT. (LBS.)
			HT (IN)	LT (IN)	DP (IN)	
ASLE 25-46	\$3,628	N/A	9-3/16	46-3/16	19-3/16	83
ASLE 25-58	3,796	N/A	9-3/16	56-3/16	19-3/16	105
ASLE 35-70	4,081	N/A	9-3/16	69-3/16	19-3/16	125
ASLE 45-94	4,895	N/A	9-3/16	92-3/16	19-3/16	151
ASLE 55-117	5,698	N/A	9-3/16	115-3/16	19-3/16	185
ASLE 65-150	6,463	N/A	9-3/16	138-3/16	19-3/16	222

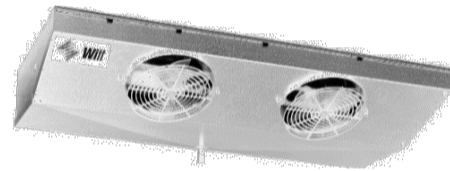
\$330 List adder for adjustable termination/fan delay control in lieu of a fixed controls.

230V PSC motors are not available for ASLA or ASLE models

Shaded Pole motors are no longer available for ASLA or ASLE models

SLIM TEMP UNIT COOLERS

Space saving design for reach-ins, salad bars, back bars, etc. from 900 to 7,000 BTUH.



COOLER APPLICATION

MODEL NUMBER	UNCOATED CORE		BAKED EPOXY CORE MODEL NO.	BAKED EPOXY COIL		DIMENSIONS			APPROX. SHIP WT. (LBS.)
	115V	230V		115V	230V	HT (IN)	LT (IN)	DP (IN)	
SLA 17-10	\$715	\$747	SLA 17-10RP	\$787	\$827	4-3/4	16-1/2	13-1/2	15
SLA 17-13	919	989	SLA 17-13RP	990	1,060	4-3/4	20-1/2	13-1/2	18
SLA 27-17	1,078	1,157	SLA 27-17RP	1,131	1,209	4-3/4	24	14-1/2	22
SLA 27-23	1,346	1,407	SLA 27-23RP	1,443	1,507	4-3/4	31-1/2	14-1/2	29
SLA 37-30	1,646	1,783	SLA 37-30RP	1,778	1,901	4-3/4	40	14-1/2	37
SLA 47-40	2,243	2,420	SLA 47-40RP	2,391	2,557	4-3/4	53-1/2	14-1/2	45
SLA 57-50	2,900	3,095	SLA 57-50RP	3,076	3,265	6-3/4	53-1/2	14-1/2	61

Specify voltage when ordering - add an "A" for 115V and "D" for 230V.

No EC or PSC motors for SLA models.

FREEZER APPLICATION - ELECTRIC DEFROST

MODEL NUMBER	SINGLE SPEED EC MOTORS		SHADED POLE MOTORS		DIMENSIONS			APPROX. SHIP WT. (LBS.)
	115V	230V	115V	230V	HT (IN)	LT (IN)	DP (IN)	
SLE 15-9	N/A	N/A	\$1,181	\$1,181	4-3/4	16-1/2	13-1/2	16
SLE 15-12	N/A	N/A	1,419	1,419	4-3/4	20-1/2	13-1/2	19
SLE 25-16	N/A	N/A	1,772	1,772	4-3/4	24	14-1/2	23
SLE 25-21	\$3,261	\$3,261	2,002	2,002	6-3/4	24	15-1/2	31
SLE 25-28	3,693	3,693	2,473	2,473	6-3/4	31-1/2	15-1/2	39
SLE 35-36	4,634	4,634	2,784	2,784	6-3/4	38-1/2	15-1/2	48
SLE 45-54	6,299	6,299	3,856	3,856	6-3/4	48-1/4	16-1/2	70
SLE 35-70	N/A	6,766	N/A	4,859	6-3/4	76-1/2	20-1/2	105

Specify voltage when ordering.

\$330 List adder for adjustable termination/fan delay control in lieu of fixed controls on defrost models.

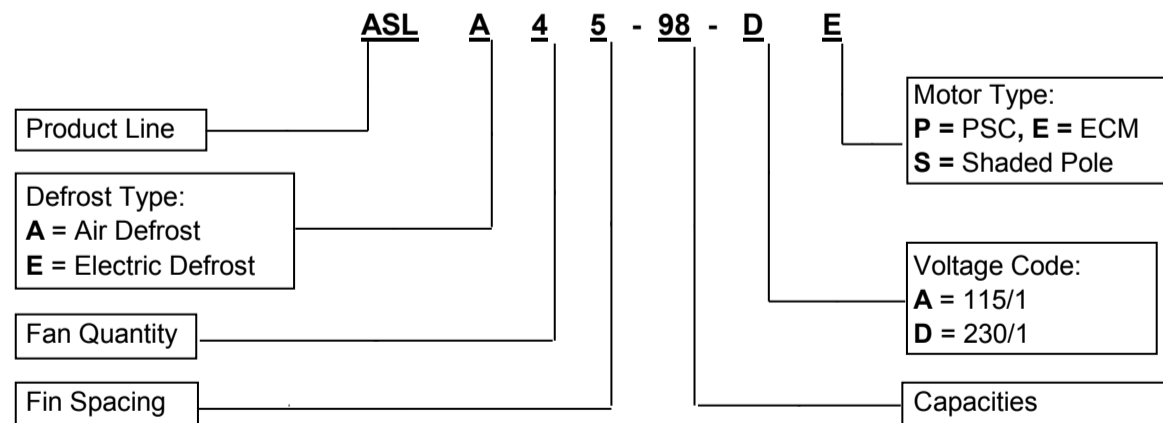
\$49 List adder for 3-prong electrical connector.

ECM = Electronically Commutated Motors

PSC = Permanent Split Capacitor

SP = Shaded Pole

Reach-In Nomenclature



WEDGE TEMP - CEILING MOUNTED UNIT COOLERS

Designed for reach-ins, beverage coolers and back bars from 1,200 to 5,500 BTU/HR



COOLER APPLICATION

MODEL NUMBER	UNCOATED CORE Single speed ECM		UNCOATED CORE SHADED POLE		BAKED EPOXY CORE MODEL NO.	BAKED EPOXY CORE Single speed ECM		BAKED EPOXY CORE SHADED POLE		DIMENSIONS			APROX. SHIP WT. (LBS.)
	115V	230V	115V	230V		115V	230V	115V	230V	HT (IN)	LT (IN)	DP (IN)	
WE17-12	\$1,535	\$1,553	\$912	\$930	WE17-12RP	\$1,593	\$1,643	\$977	\$1,026	8-5/16	15-1/4	15-7/8	16
WE17-15	1,545	1,553	933	966	WE17-15RP	1,640	1,691	1,017	1,068	8-5/16	15-1/4	15-7/8	19
WE17-18	1,572	1,579	963	1,011	WE17-18RP	1,661	1,732	1,042	1,112	8-5/16	17-3/4	15-7/8	22
WE17-25	1,750	1,620	1,127	1,175	WE17-25RP	1,825	1,908	1,196	1,280	8-5/16	19-7/8	16-7/8	29
WE17-35	1,991	1,799	1,389	1,553	WE17-35RP	2,271	2,368	1,647	1,746	9-1/2	22-7/8	17-7/8	36
WE17-45	2,345	2,154	1,747	1,860	WE17-45RP	2,742	2,924	2,122	2,304	9-5/8	26-3/4	20-1/2	57
WE18-55	2,985	2,458	2,348	2,465	WE18-55RP	3,314	3,432	2,679	2,796	9-5/8	26-3/4	20-1/2	65

Specify voltage when ordering - add an "A" for 115V and "D" for 230V. See Page 2 for nomenclature.

\$51 List adder for 3-prong electrical connector.

FLEX TEMP LIMITED SPACE UNIT COOLERS

Designed for limited space, reach-ins, back bars, and beverage coolers, 600 to 3,100 BTU/HR.



COOLER APPLICATION

MODEL NUMBER	UNCOATED CORE Single speed ECM		UNCOATED CORE SHADED POLE		BAKED EPOXY CORE MODEL NO.	BAKED EPOXY CORE Single speed ECM		BAKED EPOXY CORE SHADED POLE		DIMENSIONS			APROX. SHIP WT. (LBS.)
	115V	230V	115V	230V		115V	230V	115V	230V	HT (IN)	LT (IN)	DP (IN)	
FT18-6	N/A	N/A	\$685	\$709	FT18-6RP	N/A	N/A	\$716	\$733	6-3/4	12-1/2	9	9
FT18-8	N/A	N/A	742	766	FT18-8RP	N/A	N/A	771	789	6-3/4	12-1/2	9	9
FT28-12	N/A	N/A	845	920	FT28-12RP	N/A	N/A	937	1,028	7-3/4	18	9	14
FT18-17	\$1,579	\$1,663	963	1,046	FT18-17RP	\$1,677	\$1,761	1,071	1,162	9-5/8	14	10-1/2	15
FT18-23	2,185	2,299	1,549	1,663	FT18-23RP	2,314	2,428	1,658	1,749	11-5/8	16-3/4	13	20
FT18-31	2,414	2,546	1,777	1,911	FT18-31RP	2,557	2,701	1,921	2,060	11-5/8	16-3/4	13	23

Specify voltage when ordering - add an "A" for 115V and "D" for 230V. See Page 2 for nomenclature.

Unit is supplied with a three prong electrical connector.

MULLION TEMP PANEL UNIT COOLERS

Designed for mullion, back wall, and side wall mounting from 1,300 to 2,300 BTU/HR.



COOLER APPLICATION

MODEL NUMBER MUF/MDF	UNCOATED CORE		BAKED EPOXY CORE MODEL NO.	BAKED EPOXY CORE		DIMENSIONS			APROX. SHIP WT. (LBS.)
	115V	230V		115V	230V	HT (IN)	LT (IN)	DP (IN)	
27-13	\$1,276	\$1,342	27-13RP	\$1,298	\$1,389	17-1/8	15-5/8	5-5/8	20
27-17	1,524	1,572	27-17RP	1,557	1,648	17-1/8	15-5/8	5-5/8	22
37-23	1,822	1,949	37-23RP	1,853	1,989	17-1/8	22	5-5/8	30

Specify voltage when ordering - add an "A" for 115V and "D" for 230V. See Page 2 for nomenclature.

Unit is supplied with a three prong electrical connector.

T-TEMP UNIT COOLERS

Designed for reach-ins, beverage coolers and back bars from 800 to 1,700 BTU/HR



MODEL NUMBER	UNCOATED CORE		BAKED EPOXY CORE	BAKED EPOXY CORE		DIMENSIONS			APROX. SHIP WT. (LBS.)
	115V	230V	MODEL NO.	115V	230V	HT (IN)	LT (IN)	DP (IN)	
TT18-8	\$640	\$690	TT18-8RP	\$728	\$778	7-1/4	13-3/4	7-1/2	10
TT28-13	879	938	TT28-13RP	935	1,003	7-1/4	19-1/4	7-1/2	15
TT28-17	979	1,046	TT28-17RP	1,044	1,122	7-1/4	19-1/4	8-1/2	16

Specify voltage when ordering - add an "A" for 115V and "D" for 230V. See Page 2 for nomenclature.

TWIN-TEMP TWO WAY CEILING UNIT COOLERS

Designed for reach-ins, beverage coolers and back bars from 900 to 12,000 BTU/HR.

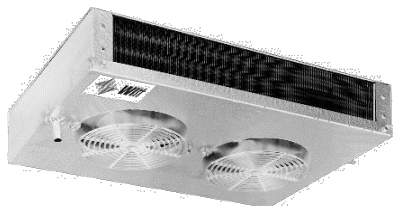


MODEL NUMBER	UNCOATED CORE Single speed ECM		UNCOATED CORE SHADED POLE		BAKED EPOXY CORE	BAKED EPOXY CORE Single speed ECM		BAKED EPOXY CORE SHADED POLE		DIMENSIONS			APROX. SHIP WT. (LBS.)
	115V	230V	115V	230V	MODEL NO.	115V	230V	115V	230V	HT (IN)	LT (IN)	DP (IN)	
TW17-9	\$1,374	\$1,423	\$751	\$800	TW17-9RP	\$1,497	\$1,545	\$881	\$929	7-5/8	19	16-1/2	17
TW17-12	1,594	1,423	972	1,043	TW17-12RP	1,673	1,750	1,056	1,133	7-5/8	19	16-1/2	19
TW17-18	1,721	1,666	1,116	1,196	TW17-18RP	1,926	2,001	1,315	1,391	9-1/8	19	16-1/2	23
TW17-25	1,972	1,802	1,367	1,453	TW17-25RP	2,244	2,335	1,631	1,721	9-5/8	21	18-1/2	26
TW17-35	2,377	2,058	1,774	1,872	TW17-35RP	2,683	2,786	2,080	2,181	11-1/4	11	18-1/2	28
TW17-45	2,869	2,477	2,257	2,420	TW17-45RP	3,236	3,397	2,619	2,780	10	32	21-1/2	44
TW17-55	3,438	3,032	2,842	2,982	TW17-55RP	3,851	3,995	3,241	3,385	12	32	21-1/2	50
TW18-65	4,046	3,578	3,410	3,410	TW18-65RP	4,286	4,286	3,650	3,650	12	32	21-1/2	55
TW17-75	3,891	3,891	3,526	3,526	TW17-75RP	N/A	N/A	3,775	3,775	11	36-1/2	36	109
TW18-85	N/A	N/A	4,097	4,097	TW18-85RP	N/A	N/A	4,381	4,381	11	36-1/2	36	115
TW17-105	N/A	N/A	4,690	4,690	TW17-105RP	N/A	N/A	5,018	5,018	13	36-1/2	36	121
TW18-120	N/A	N/A	5,229	5,229	TW18-120RP	N/A	N/A	5,384	5,599	13	36-1/2	36	128

Specify voltage when ordering - add an "A" for 115V and "D" for 230V. See Page 2 for nomenclature.

ECM = Electronically Commutated Motors

MINI TWIN-TEMP TWO WAY UNIT COOLER ONLY 3-1/4" HIGH



MODEL NUMBER	UNCOATED CORE SHADED POLE		BAKED EPOXY CORE	BAKED EPOXY CORE SHADED POLE		DIMENSIONS			APROX. SHIP WT. (LBS.)
	115V	230V	MODEL NO.	115V	230V	HT (IN)	LT (IN)	DP (IN)	
MTW18-8	\$749	\$749	MTW18-8RP	\$888	\$888	3-1/4	14-1/4	13	14
MTW28-13	987	987	MTW28-13RP	1,069	1,069	3-1/4	19-1/4	13	15
MTW28-18	1,124	1,124	MTW28-18RP	1,320	1,320	3-1/4	19-1/4	13	18
MTW28-21	1,260	1,259	MTW28-21RP	1,351	1,351	3-1/4	19-1/4	13	20
MTW38-27	1,402	1,403	MTW38-27RP	1,617	1,617	3-1/4	28-1/2	13	23

Specify voltage when ordering - add an "A" for 115V and "D" for 230V. See Page 2 for nomenclature.

WALL-TEMP PANEL UNIT COOLERS

Designed for mullion back wall and side wall mounting.
From 600 to 4,500 BTU/HR.



COOLER APPLICATION

MODEL NUMBER	UNCOATED CORE ECM	UNCOATED CORE SHADED POLE	BAKED EPOXY MODEL NO.	BAKED EPOXY CORE ECM	BAKED EPOXY CORE SHADED POLE	DRAIN PAN*	DIMENSIONS			APPROX. SHIP WT. (LBS.)
	115V/230V/1	115V/230V/1		115V/230V/1	115V/230V/1		HT (IN)	WD (IN)	DP (IN)	
	WA17-6	\$1,839		\$1,172	WA17-6RP		\$1,929	\$1,263	\$159	
WA17-9	2,158	1,490	WA17-9RP	2,248	1,579	159	20-7/8	12	4-3/8	14
WA17-12	2,682	1,944	WA17-12RP	2,771	2,103	159	22-7/8	18	4-3/4	20
WA17-18	2,773	2,098	WA17-18RP	2,862	2,194	159	22-7/8	18	4-3/4	24
WA17-25	2,862	2,197	WA17-25RP	2,958	2,289	187	29	18	8-1/2	28
WA17-35	3,058	2,422	WA17-35RP	3,154	2,485	187	29	18	8-1/2	29
WA17-45	N/A	2,747	WA17-45RP	N/A	2,810	187	32-1/8	18	10-1/2	40

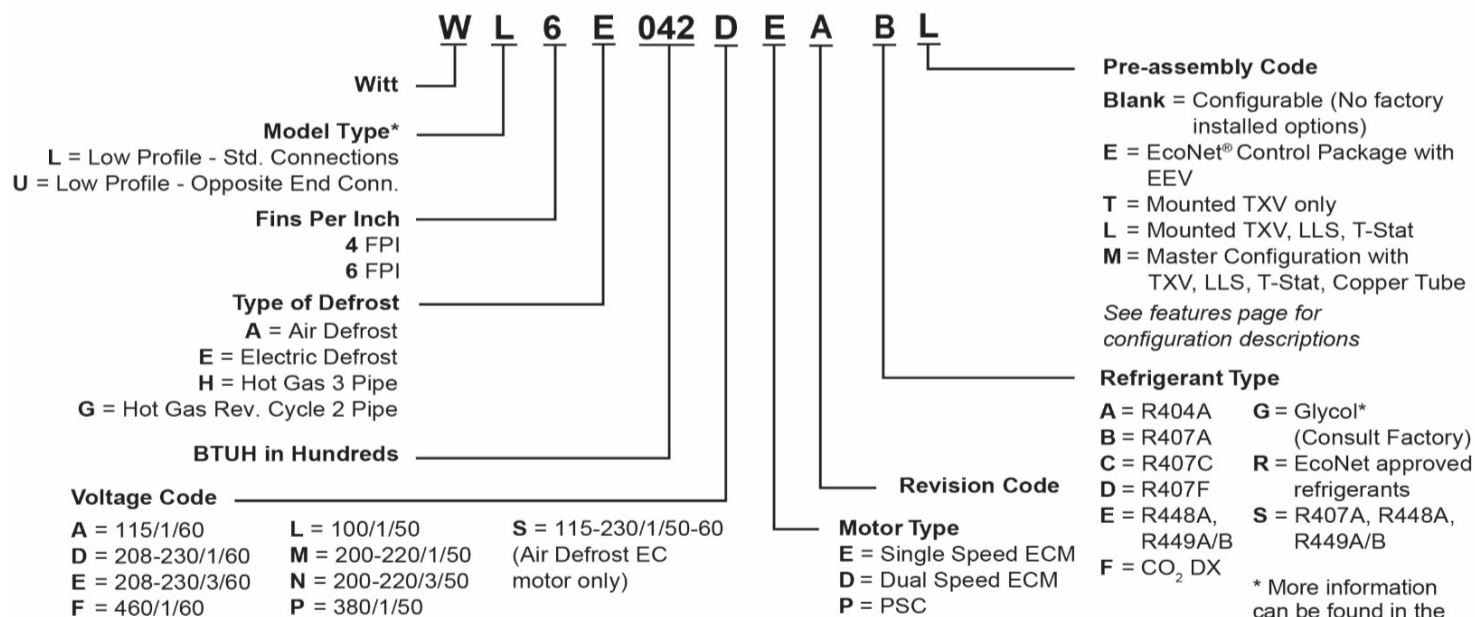
Specify voltage when ordering - add an "A" for 115V and "D" for 230V. See Page 2 for nomenclature.

\$51 List adder for 3-prong electrical connector.

*Drain Pan is optional.

ECM = Electronically Commutated Motors

NEXT-GEN ALL-TEMP LOW PROFILE UNIT COOLERS



* NOTE: Refrigerant and electrical connection locations have been changed for the Next-Gen All-Temp design. Standard connections ("L") are now opposite of the legacy All-Temp models. Mirror image connections ("U" - same end as legacy All-Temp models) are available only as built-to-order base units with no installed options.

STANDARD FEATURES

- Textured aluminum construction
- All units are provided with sweat refrigerant connections
- All units suitable for use with R404A, R407A, R407C, R407F, R448A, R449A/B. Can be configured for use with CO₂ DX or Glycol
- U. L. approved black plastic fan guards and deep draw venturi provide optimal air flow
- Flush ceiling mount with slotted hangers and hinged access end panels
- Face mounted heaters and fixed defrost termination, fan delay and heater safety controls
- Single or dual voltage EC motors. Optional Dual speed available

ORDERING INFORMATION

1. Model number
2. Motor Type
3. Motor electrical (voltage/phase/frequency)
4. Heater electrical (voltage/phase/frequency)
5. Units with mounted components require the following information: refrigerant type, evaporator temperature and T.D.

NO. OF FANS	MODEL NUMBER	Electronically Commutated Motors [†]				Single Speed PSC Motors								EcoNet® Command Center (Shipped loose) (Remote Mount Display for EcoNet Control Package). See note 9 below.
		Configurable Model - Single speed operation (Motor code "E". No accessories mounted)	Configurable Model - Dual speed operation (Motor code "D". No accessories mounted)	EcoNet® Control Package [^] Pre-Assembled with factory mounted accessories - Assembly Code E (Motor code "D"). See note 8 below.	Pre-Assembled with factory mounted accessories - Assembly Code L or M (Motor code "E" or "D"). See notes 1, 2 & 3 below.	Configurable Model - Single speed operation (Motor code "P". No accessories mounted)	Pre-Assembled with factory mounted accessories - Assembly Code L or M (Motor code "P"). See notes 1, 2 & 3 below.	EcoNet® Control Package Pre-Assembled with factory mounted accessories - Assembly Code E (Motor code "P"). See note 8 below.	Configurable Model - Single speed operation (Motor code "P". No accessories mounted)	EcoNet® Control Package Pre-Assembled with factory mounted accessories - Assembly Code E (Motor code "P"). See note 8 below.	Pre-Assembled with factory mounted accessories - Assembly Code L or M (Motor code "P"). See notes 1, 2 & 3 below.	Configurable Model - Single speed operation (Motor code "P". No accessories mounted)	460V/1 (Voltage code "F")	
		115V/208-230V/1 (Voltage code "S")	115V/208-230V/1 (Voltage code "S")	115V/208-230V/1 (Voltage code "S")	115V (Voltage code "A")	115V/1 (Voltage code "A")	115V/1 (Voltage code "A")	115V/1 (Voltage code "A")	208-230V/1 (Voltage code "D")	208-230V/1 (Voltage code "D")	208-230V/1 (Voltage code "D")	460V/1 (Voltage code "F")	Part Number HETST700SYS	
1	WL6A041* WL6A052* WL6A066*	\$1,823 1,872 2,172	\$1,823 1,872 2,172	\$3,689 3,738 4,038	\$2,890 2,939 3,253	\$1,442 1,496 1,796	\$2,509 2,563 2,863	\$3,308 3,362 3,662	\$1,498 1,518 1,929	\$3,364 3,384 3,795	\$2,565 2,585 2,996	\$1,678 1,706 2,117	\$941 941 941	
2	WL6A073* WL6A094* WL6A117* WL6A130*	2,838 3,215 3,378 3,607	2,838 3,215 3,378 3,607	4,704 5,081 5,244 5,473	3,905 4,282 4,445 4,674	2,063 2,439 2,654 2,907	3,130 3,507 3,721 3,974	3,929 4,305 4,520 4,773	2,226 2,478 2,689 2,950	4,092 4,344 4,555 4,816	3,293 3,545 3,756 4,017	2,609 2,864 3,045 3,319	941 941 941 941	
3	WL6A141* WL6A161* WL6A181*	4,364 4,846 5,282	4,364 4,846 5,282	6,230 6,712 7,148	5,431 5,913 6,349	3,241 3,694 4,153	4,308 4,761 5,221	5,107 5,560 6,019	3,287 3,756 4,213	5,153 5,622 6,079	4,354 4,823 5,281	3,841 4,322 4,774	941 941 941	
4	WL6A195* WL6A235* WL6A260*	5,689 6,900 7,519	5,689 6,900 7,519	7,555 8,766 9,385	6,756 7,967 8,586	4,483 5,221 5,475	5,550 6,288 6,542	6,349 7,087 7,341	4,542 5,636 5,898	6,408 7,502 7,764	5,609 6,703 6,966	5,138 6,468 6,600	941 941 941	
5	WL6A295*	8,624	8,624	10,490	9,691	6,515	7,943	8,381	7,039	8,905	8,466	8,077	941	
6	WL6A330* WL6A390*	9,256 10,392	9,256 10,392	11,122 12,258	10,323 11,460	6,898 8,042	8,326 9,469	8,764 9,908	7,450 8,546	9,316 10,412	8,877 9,973	8,616 9,711	941 941	

NO. OF FANS	MODEL NUMBER	Baked Epoxy Coil Coating (Other coatings are also available. Contact Applications for a special quote). See note 6 below.	Insulated Drain Pan	Heat. Exchanger (Shipped loose) selected @ 10° T.D./R407A		Unit Cooler Approx. Ship Wt (LBS)
				Model	List Price	
1	WL6A041* WL6A052* WL6A066*	\$427 438 469	\$587 587 587	HX-25 HX-25 HX-50	\$169 169 199	41 44 47
2	WL6A073* WL6A094* WL6A117* WL6A130*	639 661 694 727	741 741 741 741	HX-50 HX-50 HX-75 HX-75	199 199 273 273	52 55 58 62
3	WL6A141* WL6A161* WL6A181*	984 1,011 1,039	899 899 899	HX-75 HX-75 HX-100	273 273 349	72 78 85
4	WL6A195* WL6A235* WL6A260*	1,080 1,132 1,185	1,034 1,034 1,034	HX-100 HX-150 HX-150	349 403 403	115 124 147
5	WL6A295*	1,398	1,180	HX-150	403	218
6	WL6A330* WL6A390*	1,731 1,796	1,341 1,341	HX-250 HX-250	557 557	257 262

[†]Electronically Commutated motors are not available for 380V, 460V, or 575V. Use PSC motors for 460V volts. Use EC motors for 100-230V 50HZ operations.

[†]These models utilize dual voltage EC motors that are configurable for single or dual speed operation. **Dual speed EC motors are compliant with California Title 24 regulations.**

[†]Dual speed motor operation employs a relay to control motor speed. LLS voltage must match the voltage applied to the motor. Electric default: dual speed relay voltage is 230V.

[†]Specify motor speed: single (motor code E) or dual speed (motor code D) at time of order. (115 and 230 volt dual speed relays are both included with S voltage code.)

* Refer to nomenclature example to complete the model number.

1. Pre-Assembly code L indicates that the unit includes factory mounted txv, liquid line solenoid, mechanical room t-stat.

2. Pre-Assembled code M designates a **Master unit** for a 2 evaporator Master / Slave evaporator setup. A master unit includes a mounted txv, liquid line solenoid, mechanical room t-stat and copper tee. Code M models are to be matched with an identical model, suffix code T, in order to complete the Master/Slave combination. See note 3 for description of code T models.

3. For Pre-Assembled code T (mounted TXV only), select a configurable model then add \$407 for up to 3 ton requirement or \$715 for 4 to 9 ton mounted txv to price of the configurable unit.

4. See page 19 for expansion valve pricing.

5. \$344 List adder for adjustable termination/fan delay control in lieu of a fixed controls.

6. Baked epoxy coating covers the coil only. Contact Application Engineering for coated housing or alternate coil coating. ElectroFin, Bronz-Glow and Heresite are available coating options.

7. Electric default: Dual speed relay voltage is 230V.

8. EcoNet Control package includes: Sporlan EEV; suction pressure transducer; suction, entering air, coil temp thermistors; local on-board two-row LCD display and push button adjustments. Controller replaces TXV, liquid solenoid valve, room thermostat, defrost termination and fan delay, and time clock.

9. EcoNet Command Center can only be used with EcoNet Enabled Unit Coolers (EcoNet Control package installed). The EcoNet Command Center is an intuitive touchscreen interface allowing complete control of individual and grouped EcoNet Enabled Unit Coolers (up to 32 devices including the Command Center). The remote mount display allows for EcoNet Enabled Unit Coolers to be programmed, monitored and troubleshot outside of the space being cooled. The Command Center is shipped separately and includes everything in the box needed to wall mount the display.

NEXT-GEN ALL-TEMP • ELECTRIC DEFROST MODELS

FINS PER INCH (FPI)	NO. OF FANS	MODEL NUMBER	Electronically Commutated Motors ^{††}				Single Speed PSC Motors				EcoNet® Command Center (Shipped loose) (Remote Mount Display for EcoNet Control Package). See note 9 below.
			Configurable Model <u>Single</u> speed operation (Motor code "E". No accessories mounted)	Configurable Model <u>Dual</u> speed operation (Motor code "D". No accessories mounted)	EcoNet® Control Package Pre-Assembled with factory mounted accessories - Assembly Code E (Motor code "D") See note 8 below.	Pre-Assembled with factory mounted accessories - Assembly Code L or M (Motor code "E" or "D"). See notes 1, 2 & 3.	Configurable Model - <u>Single</u> speed operation (Motor code "P". No accessories mounted)	EcoNet® Control Package Pre-Assembled with factory mounted accessories - Assembly Code E (Motor code "P") See note 8 below.	Pre-Assembled with factory mounted accessories - Assembly Code L or M (Motor code "P"). See notes 1, 2 & 3 below.	Configurable Model - <u>Single</u> speed operation (Motor code "P". No accessories mounted)	
			208-230V/1 or 3ph‡ (Voltage code "D" or "E")	208-230V/1 or 3ph‡ (Voltage code "D" or "E")	208-230V/1 (Voltage code "D")	208-230V/1 or 3ph‡ (Voltage code "D" or "E")	208-230V/1 or 3ph‡ (Voltage code "D" or "E")	208-230V/1 (Voltage code "D")	208-230V/1 or 3ph‡ (Voltage code "D" or "E")	460V/1 (Voltage code "F")	
6	1	WL6E035*	\$2,535	\$2,535	\$4,401	\$3,602	\$2,178	\$4,044	\$3,245	\$2,481	\$941
		WL6E042*	2,819	2,819	4,685	3,886	2,429	4,295	3,496	2,705	941
		WL6E049*	3,103	3,103	4,969	4,170	2,715	4,581	3,782	3,084	941
	2	WL6E066*	3,910	3,910	5,776	4,977	3,156	5,022	4,223	3,524	941
		WL6E077*	4,113	4,113	5,979	5,180	3,349	5,215	4,416	3,964	941
		WL6E090*	4,234	4,234	6,100	5,301	3,508	5,374	4,575	4,166	941
4	1	WL6E105*	4,960	4,960	6,826	6,027	4,093	5,959	5,161	4,462	941
		WL6E121*	5,547	5,547	7,413	6,614	4,422	6,288	5,489	5,267	941
		WL6E142*	6,329	6,329	8,195	7,396	5,198	7,064	6,265	6,076	941
	2	WL6E162*	7,422	7,422	9,288	8,489	5,917	7,783	6,984	6,953	941
		WL6E182*	8,190	8,190	10,056	9,257	6,686	8,552	7,753	7,808	941
		WL6E200*	9,212	9,212	11,078	10,330	7,447	9,313	8,874	8,655	941
4	1	WL6E244*	10,806	10,806	12,672	12,234	8,534	10,400	9,961	9,950	941
		WL6E281*	11,964	11,964	13,830	13,391	9,724	11,590	11,151	11,283	941
		WL4E027*	\$1,630	\$1,630	\$3,496	\$2,697	\$1,453	\$3,319	\$2,520	\$1,732	941
	2	WL4E032*	2,037	2,037	3,903	3,104	1,723	3,589	2,790	2,002	941
		WL4E038*	2,562	2,562	4,428	3,629	2,217	4,083	3,284	2,504	941
		WL4E051*	3,125	3,125	4,991	4,192	2,773	4,639	3,840	3,064	941
4	3	WL4E064*	3,923	3,923	5,789	4,990	3,222	5,088	4,289	3,549	941
		WL4E080*	4,469	4,469	6,335	5,536	3,726	5,592	4,793	4,035	941
		WL4E094*	5,026	5,026	6,892	6,093	3,999	5,865	5,066	4,773	941
	4	WL4E110*	5,883	5,883	7,749	6,950	4,679	6,545	5,746	5,534	941
		WL4E125*	6,628	6,628	8,494	7,695	5,264	7,130	6,331	6,307	941
		WL4E141*	7,478	7,478	9,344	8,545	5,937	7,803	7,004	6,996	941
4	5	WL4E155*	8,309	8,309	10,175	9,428	6,616	8,482	8,043	7,717	941
		WL4E195*	9,959	9,959	11,825	11,078	8,321	10,187	9,749	9,761	941
		WL4E230*	11,468	11,468	13,334	12,541	9,285	11,151	10,712	10,727	941

FINS PER INCH (FPI)	NO. OF FANS	MODEL NUMBER	Contact Applications for Coil Coating prices for electric defrost models	Insulated Drain Pan	Heat. Exchanger (Shipped loose) selected @10° T.D./R407A		Unit Cooler Approx. Ship Wt. (LBS)
					Model	List Price	
					6	1	
WL6E042*	C/F	587	HX-25	169			44
WL6E049*	C/F	587	HX-25	169			47
2	WL6E066*	C/F	741	HX-50		199	52
	WL6E077*	C/F	741	HX-50		199	55
	WL6E090*	C/F	741	HX-50		199	58
4	3	WL6E105*	C/F	741	HX-50	199	62
		WL6E121*	C/F	899	HX-75	273	78
		WL6E142*	C/F	899	HX-75	273	85
	4	WL6E162*	C/F	1,034	HX-75	273	124
		WL6E182*	C/F	1,034	HX-100	349	147
		WL6E200*	C/F	1,180	HX-100	349	195
4	5	WL6E244*	C/F	1,341	HX-150	403	238
		WL6E281*	C/F	1,341	HX-150	403	238
		WL4E027*	C/F	\$587	HX-25	\$169	40
	1	WL4E032*	C/F	587	HX-25	169	42
		WL4E038*	C/F	587	HX-25	169	46
		2	WL4E051*	C/F	741	HX-25	169
WL4E064*	C/F		741	HX-50	199	52	
WL4E080*	C/F		741	HX-50	199	55	
4	3	WL4E094*	C/F	899	HX-50	199	79
		WL4E110*	C/F	899	HX-50	199	84
		WL4E125*	C/F	1,034	HX-75	273	124
	4	WL4E141*	C/F	1,034	HX-75	273	144
		WL4E155*	C/F	1,180	HX-75	273	191
		5	WL4E195*	C/F	1,341	HX-100	349
6	WL4E230*		C/F	1,341	HX-150	403	262

^{††} Electronically Commutated motors are not available for 380V, 460V, or 575V. Use PSC motors for 460V volts. Use EC motors for 100-230V 50HZ operations.
^{†††} These models utilize dual voltage EC motors that are configurable for single or dual speed operation. **Dual speed EC motors are compliant with California Title 24 regulations.**
^{††††} Dual speed motor operation employs a relay to control motor speed. LLS voltage must match the voltage applied to the motor. **Electric default: Dual speed relay voltage is 230V.**
^{†††††} Specify operating voltage 230V/1 (voltage code D) or 230/3 (voltage code E) and motor speed, single (motor code E) or dual speed (motor code D) operation at time of order. (All motors are single phase.)
* Refer to nomenclature example to complete the model number.
‡ Reference the catalog for 3 phase heater availability.
1. Pre-Assembly code L indicates that the unit includes factory mounted txv, liquid line solenoid, mechanical room t-stat.
2. Pre-Assembled code M designates a **Master unit** for a 2 evaporator Master / Slave evaporator setup. A master unit includes a mounted txv, liquid line solenoid, mechanical room t-stat and copper tee. Code M models are to be matched with an identical model, suffix code T, in order to complete the Master/Slave combination. See note 3 for description of code T models.
3. For Pre-Assembled code T (mounted TXV only), select a configurable model then add \$407 for up to 3 ton requirement or \$715 for 4 to 9 ton mounted txv to price of the configurable unit.
4. See page 19 for expansion valve pricing.
5. \$344 List adder for adjustable termination/fan delay control in lieu of a fixed controls.
6. Baked epoxy coating covers the coil only. Contact Application Engineering for coated housing or alternate coil coating. ElectroFin, Bronz-Glow and Heresite are available coating options.
7. Electric default: Dual speed relay voltage is 230V.
8. EcoNet Control package includes: Sporlan EEV; suction pressure transducer; suction, entering air, coil temp thermistors; local on-board two-row LCD display and push button adjustments. Controller replaces TXV, liquid solenoid valve, room thermostat, defrost termination and fan delay, and time clock.
9. EcoNet Command Center can only be used with EcoNet Enabled Unit Coolers (EcoNet Control package installed). The EcoNet Command Center is an intuitive touchscreen interface allowing complete control of individual and grouped EcoNet Enabled Unit Coolers (up to 32 devices including the Command Center). The remote mount display allows for EcoNet Enabled Unit Coolers to be programmed, monitored and troubleshot outside of the space being cooled. The Command Center is shipped separately and includes everything in the box needed to wall mount the display.

NEXT-GEN ALL-TEMP

HOT GAS DEFROST / REVERSE CYCLE MODELS

FINS PER INCH (FPI)	NO. OF FANS	MODEL NUMBER	Electronically Commutated Motors†				PSC Motors			Insulated Drain Pan	Heat Exchanger Field Installed		Unit Cooler Approx. Ship Wt. (LBS)	
			Configurable Model - <u>Single</u> speed operation (Motor code "E". No accessories mounted)		Configurable Model - <u>Dual</u> speed motor operation (Motor code "D". No accessories mounted.)		Configurable Model - <u>Single</u> speed operation (Motor code "P". No accessories mounted)				Model	List Price		
			115V/1 (Voltage code "A")	208-230V/1 (Voltage code "D")	115V/1 (Voltage code "A")	208-230V/1 (Voltage code "D")	115V/1 (Voltage code "A")	208-230V/1 (Voltage code "D")	460V/1 (Voltage code "F")					
6	1	WL6G035*	\$2,467	\$2,524	\$2,467	\$2,524	\$2,097	\$2,153	\$2,340	\$587	HX-25	\$169	41	
		WL6G042*	2,787	2,852	2,787	2,852	2,396	2,460	2,656	587	HX-25	169	44	
		WL6G049*	3,145	3,219	3,145	3,219	2,757	2,832	3,029	587	HX-25	169	47	
	2	WL6G066*	3,776	4,018	3,776	4,018	3,020	3,262	3,636	741	HX-25	169	52	
		WL6G077*	4,180	4,420	4,180	4,420	3,419	3,659	4,032	741	HX-50	199	55	
		WL6G090*	4,430	4,728	4,430	4,728	3,689	3,988	4,364	741	HX-50	199	58	
	3	WL6G105*	5,193	5,492	5,193	5,492	4,325	4,706	5,086	741	HX-50	199	62	
		WL6G121*	5,453	5,801	5,453	5,801	4,340	4,676	5,233	899	HX-75	273	78	
		WL6G142*	6,383	6,612	6,383	6,612	5,252	5,480	6,039	899	HX-75	273	85	
	4	WL6G162*	7,088	7,535	7,088	7,535	5,582	6,029	6,782	1,034	HX-75	273	124	
		WL6G182*	7,938	8,526	7,938	8,526	6,436	7,024	7,773	1,034	HX-75	273	147	
		WL6G200*	8,392	8,923	8,392	8,923	6,542	7,073	8,011	1,180	HX-100	349	195	
	5	WL6G244*	10,163	10,908	10,163	10,908	7,885	8,645	9,799	1,341	HX-100	349	238	
		WL6G281*	11,318	12,212	11,318	12,212	9,079	9,965	11,101	1,341	HX-100	349	262	
		WL6G027*	\$1,699	\$1,766	\$1,699	\$1,766	\$1,453	\$1,518	\$2,071	\$587	HX-25	\$169	40	
	4	1	WL4G032*	2,006	2,070	2,006	2,070	1,717	1,781	2,335	587	HX-25	169	42
			WL4G038*	2,538	2,596	2,538	2,596	2,170	2,228	2,424	587	HX-25	169	46
			WL4G051*	3,223	3,334	3,223	3,334	2,665	2,951	3,235	741	HX-25	169	50
2		WL4G064*	4,044	4,154	4,044	4,154	3,344	3,447	3,709	741	HX-25	169	52	
		WL4G080*	4,546	4,677	4,546	4,677	3,802	3,933	4,213	741	HX-50	199	55	
		WL4G094*	4,893	5,237	4,893	5,237	3,868	4,295	4,722	899	HX-50	199	79	
3		WL4G110*	5,727	6,069	5,727	6,069	4,524	4,883	5,336	899	HX-50	199	84	
		WL4G125*	6,375	6,810	6,375	6,810	5,008	5,572	6,135	1,034	HX-50	199	124	
		WL4G141*	7,190	7,626	7,190	7,626	5,649	6,085	6,658	1,034	HX-75	273	144	
5		WL4G155*	7,816	8,351	7,816	8,351	6,121	6,603	7,243	1,180	HX-75	273	191	
		WL4G195*	9,594	10,222	9,594	10,222	7,455	8,050	8,856	1,341	HX-100	349	257	
		WL4G230*	11,059	11,821	11,059	11,821	8,876	9,615	10,438	1,341	HX-100	349	262	

- \$409 List adder for liquid txv bypass check valve, shipped loose. \$627 list price adder for liquid txv bypass check valve - factory mounted.
- Consult factory for installed suction check valve prices.
- Hot Gas reverse cycle includes a fixed defrost termination control and a fixed fan delay control, factory wired.

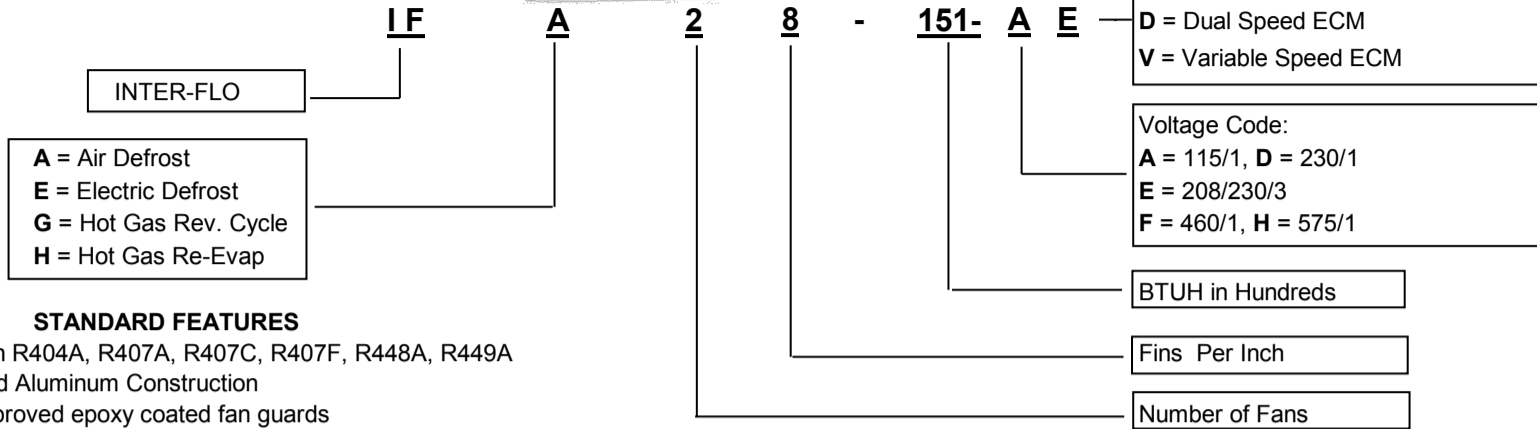
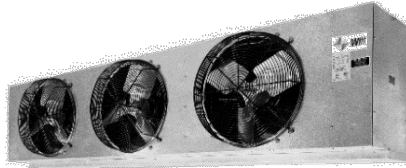
HOT GAS DEFROST / 3 PIPE DEFROST MODELS

FINS PER INCH (FPI)	NO. OF FANS	MODEL NUMBER	Electronically Commutated Motors†				PSC Motors			Insulated Drain Pan	Unit Cooler Approx. Ship Wt. (LBS)	
			Configurable Model - <u>Single</u> speed operation (Motor code "E". No accessories mounted)		Configurable Model - <u>Dual</u> speed motor operation (Motor code "D". No accessories mounted.)		Configurable Model - <u>Single</u> speed operation (Motor code "P". No accessories mounted)					
			115V/1 (Voltage code "A")	208-230V/1 (Voltage code "D")	115V/1 (Voltage code "A")	208-230V/1 (Voltage code "D")	115V/1 (Voltage code "A")	208-230V/1 (Voltage code "D")	460V/1 (Voltage code "F")			
6	1	WL6H035*	\$2,467	\$2,524	\$2,467	\$2,524	\$2,097	\$2,153	\$2,340	\$587	41	
		WL6H042*	2,787	2,852	2,787	2,852	2,396	2,460	2,655	587	44	
		WL6H049*	3,145	3,219	3,145	3,219	2,757	2,832	3,029	587	47	
	2	WL6H066*	3,776	4,018	3,776	4,018	3,020	3,262	3,636	741	52	
		WL6H077*	4,180	4,420	4,180	4,420	3,419	3,659	4,032	741	55	
		WL6H090*	4,430	4,728	4,430	4,728	3,689	3,988	4,364	741	58	
	3	WL6H105*	5,193	5,492	5,193	5,492	4,325	4,706	5,086	741	62	
		WL6H121*	5,453	5,801	5,453	5,801	4,340	4,676	5,233	899	78	
		WL6H142*	6,383	6,612	6,383	6,612	5,252	5,480	6,040	899	85	
	4	WL6H162*	7,088	7,535	7,088	7,535	5,582	6,029	6,782	1,034	124	
		WL6H182*	7,938	8,526	7,938	8,526	6,436	7,024	7,773	1,034	147	
		WL6H200*	8,392	8,923	8,392	8,923	6,542	7,073	8,011	1,180	195	
	5	WL6H244*	10,163	10,908	10,163	10,908	7,885	8,645	9,800	1,341	238	
		WL6H281*	11,318	12,212	11,318	12,212	9,079	9,965	11,101	1,341	262	
		WL4H027*	\$1,699	\$1,766	\$1,699	\$1,766	\$1,453	\$1,518	\$2,071	\$587	40	
	4	1	WL4H032*	2,006	2,070	2,006	2,070	1,717	1,781	2,335	587	42
			WL4H038*	2,538	2,596	2,538	2,596	2,170	2,228	2,424	587	46
			WL4H051*	3,223	3,334	3,223	3,334	2,665	2,951	3,236	741	50
2		WL4H064*	4,044	4,154	4,044	4,154	3,344	3,447	3,709	741	52	
		WL4H080*	4,546	4,677	4,546	4,677	3,802	3,933	4,213	741	55	
		WL4H094*	4,893	5,237	4,893	5,237	3,868	4,295	4,722	899	79	
3		WL4H110*	5,727	6,069	5,727	6,069	4,524	4,883	5,337	899	84	
		WL4H125*	6,375	6,810	6,375	6,810	5,008	5,572	6,135	1,034	124	
		WL4H141*	7,190	7,626	7,190	7,626	5,649	6,085	6,659	1,034	144	
5		WL4H155*	7,816	8,351	7,816	8,351	6,121	6,603	7,243	1,180	191	
		WL4H195*	9,594	10,222	9,594	10,222	7,455	8,050	8,857	1,341	257	
		WL4H230*	11,059	11,821	11,059	11,821	8,876	9,615	10,438	1,341	262	

- Hot Gas 3 Pipe Defrost models include a fixed defrost termination control and a fixed fan delay control, factory wired.
 - Use EC motors for 50HZ operation.
 - See page 18 for expansion valve pricing.
- † Electronically Commutated motors are not available for 380V, 460V, or 575V. Use PSC motors for 460V volts. Use EC motors for 100-230V 50HZ operations.
- † These models utilize single voltage EC motors that are configurable for single or dual speed operation. **Dual speed EC motors are compliant with California Title 24 regulations.**
- † Dual speed motor operation employs a relay to control motor speed. LLS voltage must match the voltage applied to the motor. Electric default: dual speed relay voltage is 230V.
- † Specify operating voltage: 115V (voltage code A) or 230V/1 (voltage code D) and motor speed: single (motor code E) or dual speed (motor code D) at time of order.

\$344 List adder for adjustable termination/fan delay control in lieu of a fixed controls.
Contact Application Engineering for coated housing or coil coating. ElectroFin, Bronz-Glow and Heresite are available coating options.
* Reference nomenclature example to complete the model number.

INTER-FLO MEDIUM PROFILE UNIT COOLERS



- STANDARD FEATURES**
- Use with R404A, R407A, R407C, R407F, R448A, R449A
 - Textured Aluminum Construction
 - U.L. approved epoxy coated fan guards
 - Separate fixed defrost termination and fan delay controls
 - Permanently lubricated, high efficiency, ECM or PSC motors with
 - Thermal overload protection
 - All components are factory wired to terminal board. Connection points are marked for easy identification.
 - Fully partitioned fan sections.

ORDERING INFORMATION

1. Model number
2. Voltage, frequency, phase
3. Refrigerant type
4. Suction Temperature
5. Evaporator T.D.

OPTIONS

Air Straightener - Fan Guards (price per fan) LIST \$351

AIR DEFROST MODELS

Model Number	Electronically Commutated Motors†						PSC Motors											
	Single Speed Motors		Dual Speed Motors			Variable Speed Motors			Single Speed Motors									
	115V/1	230V/1	115V/1	230V/1	460V/1**	115V/1	230V/1	460V/1**	115V/1	230V/1	460V/1	575V/1						
8	IFA28-151	\$5,588	\$5,672	\$6,050	\$6,205	\$6,623	No longer available				\$4,898	\$4,994	\$5,187	\$5,292				
	IFA28-210	6,739	6,823	7,202	7,355	7,774					5,563	5,648	5,727	5,842				
	IFA38-260	8,342	8,470	9,033	9,269	9,898					6,933	7,073	7,436	7,588				
F	IFA38-320	10,203	10,611	10,895	11,410	12,038					8,943	9,388	9,485	9,675				
	IFA28-410	12,977	13,493	13,545	14,063	14,445					10,874	11,366	11,601	11,833				
	I	IFA28-450	14,703	15,042	15,272	15,610					15,993	12,546	12,869	13,259	13,526			
IFA38-540		18,111	18,732	18,964	19,585	20,160					15,093	15,690	16,014	16,333				
IFA38-690		18,968	19,367	19,822	20,220	20,794					16,453	16,847	17,410	17,759				
6	IFA26-145	5,402	5,472	5,863	6,005	6,424					No longer available				4,709	4,790	4,988	5,087
	IFA26-191	6,538	6,552	7,000	7,085	7,504									5,243	5,256	5,484	5,594
	IFA36-240	8,056	8,233	8,749	9,032	9,661									6,598	6,788	7,163	7,308
F	IFA36-305	9,924	10,191	10,615	10,989	11,618									8,493	8,777	9,071	9,253
	IFA26-370	12,594	12,945	13,163	13,513	13,896	10,464	10,796	11,165	11,387								
	I	IFA36-415	14,254	14,485	15,106	15,339	15,912	12,230	12,465	12,731					12,986			
IFA36-490		17,510	17,879	18,363	18,732	19,306	14,549	14,905	15,550	15,861								
IFA36-620		18,385	18,681	19,239	19,534	20,108	15,571	15,856	16,695	17,029								
4	IFA24-126	5,189	5,277	5,650	5,810	6,229	No longer available								4,540	4,640	4,807	4,903
	IFA24-169	6,292	6,403	6,753	6,936	7,354									5,080	5,195	5,351	5,458
	IFA34-224	7,750	7,913	8,442	8,713	9,340									6,327	6,502	7,150	7,293
F	IFA34-287	9,564	9,928	10,257	10,728	11,355									8,214	8,604	9,050	9,230
	IFA24-340	12,094	12,359	12,663	12,927	13,311					10,115	10,369	10,693	10,907				
	I	IFA24-395	13,664	14,337	14,232	14,905					15,288	11,842	12,502	13,113	13,377			
IFA34-465		16,868	17,066	17,722	17,920	18,493					13,951	14,142	14,982	15,281				
IFA34-585		17,704	18,265	18,558	19,117	19,692					15,066	15,614	16,639	16,973				

† Single speed Electronically Commutated motors are not available in 460V. EC motors are not available in 575V.
 Dual speed motors include a relay which controls motor speed when wired to the T-stat. Field wiring is required unless T-Stat is mounted on the unit.
Dual speed EC motors are compliant with California Title 24 regulations.

** These 460V/1 models use 1/3 HP motors for all units.

* Baked Epoxy coating on coil only.
 Contact Application Engineering for coated housing or other types of coil coatings.

	MODEL NUMBER	Baked Epoxy Coil Coating*	Insulated Drain Pan	HEAT EXCHANGER @ 10° T.D./R404A		APPROX. SHIPPING WEIGHT (LBS.)
				MODEL	LIST	
8	IFA28-151	\$1,313	\$2,001	HX-75	\$273	125
	IFA28-210	1,548	2,001	HX-75	273	145
	IFA38-260	1,762	2,244	HX-100	349	295
F	IFA38-320	1,987	2,244	HX-150	403	330
	IFA28-410	2,297	2,001	HX-150	403	370
	I	IFA28-450	2,434	2,001	HX-250	557
IFA38-540		2,771	2,244	HX-250	557	430
IFA38-690		2,881	2,244	HX-250	557	540
6	IFA26-145	1,256	\$2,001	HX-75	273	120
	IFA26-191	1,480	2,001	HX-75	273	140
	IFA36-240	1,687	2,244	HX-100	349	290
F	IFA36-305	1,905	2,244	HX-150	403	320
	IFA26-370	2,196	2,001	HX-150	403	360
	I	IFA36-415	2,327	2,244	HX-150	403
IFA36-490		2,650	2,244	HX-250	557	415
IFA36-620		2,760	2,244	HX-250	557	520
4	IFA24-126	1,172	\$2,001	HX-50	199	115
	IFA24-169	1,381	2,001	HX-75	273	130
	IFA34-224	1,569	2,244	HX-100	349	280
F	IFA34-287	1,771	2,244	HX-150	403	310
	IFA24-340	2,043	2,001	HX-150	403	345
	I	IFA24-395	2,167	2,001	HX-150	403
IFA34-465		2,470	2,244	HX-250	557	400
IFA34-585		2,565	2,244	HX-250	557	505

INTER-FLO • ELECTRIC DEFROST MODELS

Model Number	Electronically Commutated Motors†					Single Speed PSC Motors			WIDTH (INCHES)	Insulated Drain Pan	Approx. Ship Wt. (LBS.)
	Single Speed	Dual Speed		Variable Speed		230V/1	460V/1	575V/1			
	230V/1	230V/1	460V/1**	230V/1	460V/1**						
6 F P I	IFE26-130	\$6,043	\$6,576	\$6,994	No longer available	\$4,943	\$5,191	\$5,295	55	\$2,001	125
	IFE26-150	6,341	6,874	7,293		5,620	5,883	6,000	55	2,001	140
	IFE36-185	9,505	10,305	10,933		7,557	8,256	8,422	76	2,244	295
	IFE26-270	11,871	12,469	12,823		10,625	11,203	11,427	76	2,001	320
	IFE26-320	13,422	14,019	14,373		11,509	12,324	12,571	76	2,001	365
	IFE36-385	16,753	17,649	18,179		14,133	14,810	15,106	106	2,244	450
	IFE36-460	17,401	18,298	18,828		15,496	16,596	16,927	106	2,244	490
4 F P I	IFE24-105	5,646	6,179	6,597	No longer available	4,839	5,127	5,230	55	2,001	120
	IFE24-140	7,286	7,819	8,238		5,479	5,672	5,786	55	2,001	135
	IFE34-175	8,291	9,090	9,243		6,881	7,416	7,564	76	2,244	285
	IFE24-230	11,397	11,994	12,348		9,547	10,310	10,515	76	2,001	315
	IFE24-325	15,968	16,566	16,920		13,517	14,334	14,620	76	2,001	350
	IFE34-390	16,884	17,781	18,312		14,811	15,808	16,126	106	2,244	425
	IFE34-510	19,223	20,120	20,651		18,004	19,350	19,739	106	2,244	530

1. Electric defrost models include fixed defrost termination and fan delay controls.
2. Standard motor wiring is single phase (208/230V/1 or 460V/1.)
3. Standard heater wiring is 3 phase.(208/230V/3, 460V/3).
4. ** These 460V/1 models use 1/3 HP motors for all units.

Specify voltage when ordering.
See page 9 for voltage codes.

† EC motors are not available for 575V applications.

NOTE: Units with dual speed motors include a relay which controls motor speed when wired to the room T-stat. Field wiring is required unless T-Stat is factory mounted.
Dual speed EC motors are compliant with California Title 24 regulations.

INTER-FLO • HOT GAS/ 3 PIPE DEFROST

Model Number	Electronically Commutated Motors†						Single Speed PSC motors				Insulated Drain Pan	Heat Exchanger Accumulator	Approx. Ship Wt. (LBS.)
	Single Speed		Dual Speed		Variable Speed		115V/1	230V/1	460V/1	575V/1			
	115V/1	230V/1	230V/1	460V/1**	115V/1	230V/1							
6 F P I	IFH26-130	\$8,148	\$8,557	\$8,681	\$9,099	No longer available	\$6,598	\$7,020	\$7,325	\$7,471	\$2,001	Discontinued	125
	IFH26-150	10,041	10,141	10,574	10,992		8,216	8,314	8,690	8,835	2,001	Discontinued	140
	IFH36-185	12,386	12,594	13,186	13,813		10,853	11,079	11,677	11,894	2,244	Discontinued	295
	IFH26-270	15,438	15,820	16,035	16,389		14,054	14,444	15,174	15,319	2,001	Discontinued	320
	IFH26-320	17,237	17,673	17,835	18,188		15,027	15,455	16,449	16,532	2,001	Discontinued	365
	IFH36-385	19,932	20,147	20,828	21,359		17,727	17,950	19,025	19,258	2,244	Discontinued	450
	IFH36-460	23,500	23,862	24,397	24,927		20,606	20,962	22,244	22,525	2,244	Discontinued	490
4 F P I	IFH36-520	25,339	25,804	26,235	26,766	22,470	22,931	24,193	24,493	2,244	Discontinued	530	
	IFH24-105	7,815	8,214	8,348	8,767	No longer available	6,372	6,785	7,255	7,400	2,001	Discontinued	120
	IFH24-140	9,334	9,725	9,867	10,285		7,944	8,350	8,947	9,127	2,001	Discontinued	135
	IFH34-175	11,926	12,140	12,725	12,879		10,416	10,645	11,330	11,557	2,244	Discontinued	285
	IFH24-230	15,175	15,364	15,772	16,126		13,699	13,895	14,482	14,772	2,001	Discontinued	315
	IFH24-325	19,133	19,470	19,730	20,084		17,186	17,519	18,522	18,895	2,001	Discontinued	350
	IFH34-390	21,949	22,280	22,846	23,377		19,339	19,672	20,901	21,319	2,244	Discontinued	425
IFH34-510	22,822	23,189	23,718	24,249	19,842		20,199	21,535	21,966	2,244	Discontinued	530	

1. Hot Gas 3 -Pipe defrost models include factory installed fixed defrost terminator and fan delay controls.
2. ** These 460V/1 models use 1/3 HP motors for all units.
3. ** These 460V/1 models use 1/3 HP motors for all units.

Specify voltage when ordering.
See page 9 for voltage codes.

† EC motors are not available for 575V applications.

NOTE: Units with dual speed motors include a relay which controls motor speed when wired to the room T-stat. Field wiring is required unless T-Stat is factory mounted.
Dual speed EC motors are compliant with California Title 24 regulations.

INTER-FLO • HOT GAS/ REVERSE CYCLE MODELS

MODEL NUMBER	Electronically Commutated Motors†						Single Speed PSC motors				Insulated Drain Pan	Tev Bypass Check Valve	Approx. Ship Wt. (LBS.)
	Single Speed		Dual Speed		Variable Speed		115V/1	230V/1	460V/1	575V/1			
	115V/1	230V/1	230V/1	460V/1**	115V/1	230V/1							
6 F P I	ITG26-130	\$7,294	\$7,704	\$7,827	\$8,245	No longer available	\$5,746	\$6,167	\$6,476	\$6,603	\$2,001	\$409	125
	ITG26-150	9,189	9,290	9,722	10,141		7,365	7,463	7,840	7,996	2,001	409	140
	ITG36-185	10,144	10,303	10,943	11,571		8,611	8,787	9,480	9,669	2,244	409	295
	ITG26-270	13,160	13,394	13,757	14,111		11,776	12,018	12,774	13,030	2,001	409	320
	ITG26-320	14,883	15,240	15,482	15,834		12,675	13,023	14,039	14,319	2,001	839	365
	ITG36-385	17,396	17,645	18,294	18,825		15,193	15,446	16,526	16,856	2,244	839	450
	ITG36-460	19,625	20,057	20,522	21,052		16,730	17,159	18,533	18,902	2,244	839	490
4 F P I	ITG36-520	21,547	22,010	22,443	22,974	18,679	19,137	20,488	20,898	2,244	839	530	
	ITG24-105	6,967	7,361	7,500	7,918	No longer available	5,524	5,932	6,406	6,534	2,001	409	120
	ITG24-140	8,477	8,871	9,010	9,428		7,088	7,497	8,097	8,258	2,001	409	135
	ITG34-175	9,743	9,887	10,543	10,695		8,233	8,392	9,105	9,287	2,244	409	285
	ITG24-230	12,804	13,037	13,401	13,755		11,328	11,569	11,934	12,172	2,001	409	315
	ITG24-325	16,803	17,051	17,401	17,755		14,855	15,100	15,587	15,901	2,001	839	350
	ITG34-390	19,083	19,417	19,980	20,511		16,474	16,809	17,664	18,018	2,244	839	425
ITG34-510	20,862	21,234	21,760	22,290	17,884		18,244	19,581	19,972	2,244	839	530	

1. Liquid (TXV Bypass) check valve is shipped loose for field installation. Consult factory for installed liquid check valve pricing.
2. Hot Gas Reverse Cycle models include factory installed fixed defrost terminator and fan delay controls.
3. ** These 460V/1 models use 1/3 HP motors for all units. - All Models

Specify voltage when ordering.
See page 9 for voltage codes.

NOTE: Units with dual speed motors include a relay which controls motor speed when wired to the room T-stat. Field wiring is required unless T-Stat is factory mounted.
† EC motors are not available for 575V applications.

Dual speed EC motors are compliant with California Title 24 regulations.

LOW AIR VELOCITY UNIT COOLERS

LOW VELOCITY UNIT COOLER NOMENCLATURE

W W F 050 A E 1 B 1 1 A 1 A
 I II III IV V VI VII VIII IX X XI XII XIII

I. Model Series

W – Witt

II. Unit type

W – Walk In Unit Cooler

III. Series

F – Low Air Velocity

IV. Capacity – Three Number Characters

050, 075, 100, 130, 160, 190, 220, 270, 340

V. Voltage Code

A – 115/1/60
 D – 208-230/1/60
 F – 460/1/60
 L – 100/1/50
 M – 200-220/1/50
 P – 380/1/50
 X – Other

VI. Motor/Fan Type

E – (EC) Electronically Commutated
 P – (PSC) Permanent Split Capacitor
 X – Other

VII. Length in Fans

VIII. Coil Density

B – 6 fpi

IX. Coil Material and Coating Options

1 – Aluminum Fins (Al)	} Post Coat Materials
2 – Copper Fins (Cu)	
3 – Al + AST Coating	
4 – Al + Blygold	
5 – Al + Bronz-Glow	
6 – Al + Heresite	
8 – Baked Epoxy Coating	
X – Other	

X. Housing Material and Coatings

1 – Aluminum, Embossed
 3 – White Painted
 6 – Stainless Steel 304
 X – Other

XI. Unit Design Configuration

A – Air Defrost
 E – Electric Defrost
 G – Hot Gas Reverse Cycle Defrost with Drain Pan Loop
 H – Hot Gas Re-Evaporative Defrost with Drain Pan Loop
 K – Hot Gas Reverse Cycle Defrost with 115V Heater
 L – Hot Gas Reverse Cycle Defrost with 208/230V Heater
 X – Other

XII. Not Currently used

XIII. Revision Code – Single Alphanumeric Character

A – Initial Release

* Shaded Pole motors are no longer available.

LOW AIR VELOCITY UNIT COOLERS

BASE MODELS

Model Number	Air Defrost 115/1/60	Fan Configuration	Approx. Net Weight (lbs)
WWF050AE1B11A1A	\$4,181	1 x 1	50
WWF075AE2B11A1A	4,796	1 x 2	75
WWF100AE2B11A1A	6,052	1 x 2	85
WWF130AE3B11A1A	6,915	1 x 3	100
WWF160AE3B11A1A	7,689	1 x 3	110
WWF190AE4B11A1A	9,589	1 x 4	120
WWF220AE4B11A1A	11,024	1 x 4	130
WWF270AE5B11A1A	12,173	1 x 5	150
WWF340AE6B11A1A	15,543	1 x 6	180

POSITION V

Voltage options

Note: "N/A" = Not available, "N/C" = No additional charge, "—" = Base model features, "C/F" = Contact Factory

Voltage Code	Adder/(Deduct) Per Fan Section	Available Based Upon Position VI Motor Options
A – 115/1/60	—	Available for motor codes E, P, S
D – 208-230/1/60	\$54	Available for motor codes E, P, S
F – 460/1/60	18	Available for motor code P only
L – 100/1/50	—	Available for motor codes E, P, S
M – 200-220/1/50	54	Available for motor codes E, P, S
P – 380/1/50	18	Available for motor code P only

POSITION VI

Motor / Fan Type options

Note: "N/A" = Not available, "N/C" = No additional charge, "—" = Base model features, "C/F" = Contact Factory

Motor / Fan Type	Adder/(Deduct) Per Fan Section	Available Based Upon Position V
E - Electronically Commutated - Single Speed	—	Available for A,D,L,M
D - Electronically Commutated - Dual Speed	\$267 267	Available for A,L Available for D,M
P - Permanent Split Capacitor - Price deduct	(477)	Available for A,L,D,M,F,P

POSITION VII Length in Fans - No additional charge

POSITION VIII Coil Density - 6 FPI - No additional charge

Position - IX

Coil Material and Coating options

Contact Application Engineering to obtain price quotes for special fin materials or coatings.

Position - X

Housing Material and Coating options

Contact Application Engineering to obtain price quotes for special housing materials or coatings.

LOW AIR VELOCITY UNIT COOLERS

Position - XI

Unit Design Configuration - Horizontal Air Discharge Only

Note: "N/A" = Not available, "N/C" = No additional charge, "—" = Base model features, "C/F" = Contact Factory

ELECTRIC DEFROST - Code E		
Voltage Code	Adder/(Deduct) Per Fan Section	Available Based Upon Position VI Motor Options
A – 115/1/60	N/A	N/A
D – 208-230/1/60	\$269	Available for motor codes E, P, S
F – 460/1/60	364	Available for motor code P only
L – 100/1/50	N/A	N/A
M – 200-220/1/50	269	Available for motor codes E, P, S
P – 380/1/50	364	Available for motor code P only

HOT GAS DEFROST - Reverse Cycle with Hot Gas drain pan loop - Code G		
Voltage Code	Adder/(Deduct) Per Fan Section	Available Based Upon Position VI Motor Options
A – 115/1/60	\$472	Available for motor codes E, P, S
D – 208-230/1/60	472	Available for motor codes E, P, S
F – 460/1/60	472	Available for motor code P only
L – 100/1/50	472	Available for motor codes E, P, S
M – 200-220/1/50	472	Available for motor codes E, P, S
P – 380/1/50	472	Available for motor code P only

HOT GAS DEFROST - Reverse Cycle with electric drain pan heater - Code K or L		
Voltage Code	Adder/(Deduct) Per Fan Section	Available Based Upon Position VI Motor Options
A – 115/1/60	\$308	Available for motor codes E, P, S
D – 208-230/1/60	308	Available for motor codes E, P, S
F – 460/1/60	N/A	N/A
L – 100/1/50	308	Available for motor codes E, P, S
M – 200-220/1/50	308	Available for motor codes E, P, S
P – 380/1/50	N/A	N/A

HOT GAS DEFROST - 3 pipe with Drain Pan loop - Code H		
Voltage Code	Adder/(Deduct) Per Fan Section	Available Based Upon Position VI Motor Options
A – 115/1/60	\$401	Available for motor codes E, P, S
D – 208-230/1/60	401	Available for motor codes E, P, S
F – 460/1/60	401	Available for motor code P only
L – 100/1/50	401	Available for motor codes E, P, S
M – 200-220/1/50	401	Available for motor codes E, P, S
P – 380/1/50	401	Available for motor code P only

Heat Exchanger/Accumulator (HEA) No Longer Available.

Position - XII

Insulated Drain Pan		
Fan Configuration	No Insulation	Insulated Drain Pan ¹
1 X 1	—	\$2,752
1 X 2	—	3,532
1 X 3	—	4,566
1 X 4	—	5,188
1 X 5	—	6,154
1 X 6	—	7,120

1. Insulated Drain Pan not available with stainless steel or galvanized steel pans.

Position - XIII

Revision Code: A - Initial Release

Optional Expansion Valves

Balanced Port Expansion Valve - Loose	1/4 thru 3 Tons	\$359
	4 thru 9 Tons	460
Balanced Port Expansion Valve - Mounted	1/4 thru 3 Tons	407
	4 thru 9 Tons	715

Optional Room T-Stat

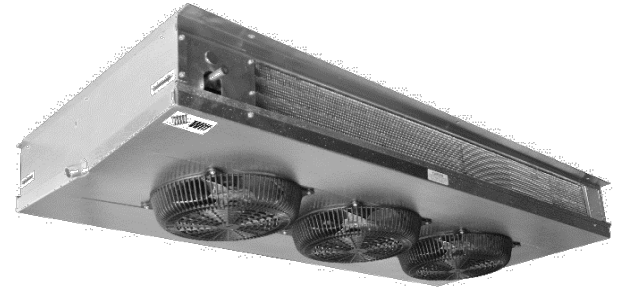
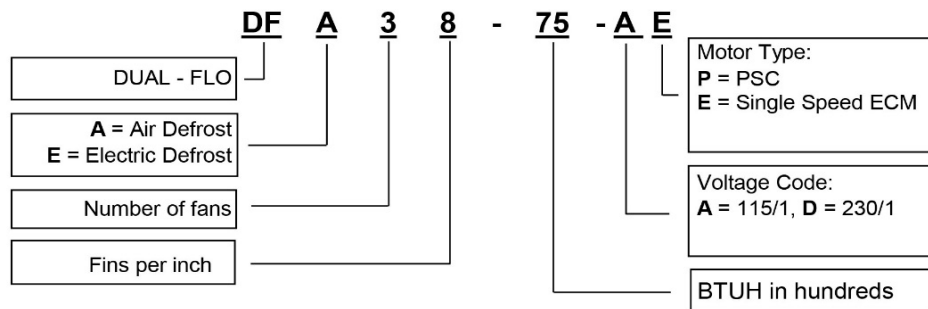
Type	RANGE	LIST
Mechanical - Loose	-30 to + 100	\$307
Mechanical - Mounted @ Evap	-30 to + 100	333
Electronic - Loose	-30 to + 100	396
Electronic - Mounted @ Evap	-30 to + 100	416

Optional Liquid Line Solenoid Valve

HORSEPOWER RANGE	LOOSE	MTD
1/2 thru 3 HP	\$303	\$327
4 thru 8 HP	339	379

DUAL-FLO DUAL DISCHARGE - LOW SILHOUETTE UNIT COOLERS

Center mount with two way air discharge.
Designed for applications that require minimal coil height.



AIR DEFROST MODELS					
Model Number	EC Motors† Single Speed		PSC ¹ Motors	Approx. Ship Wt. (LBS.)	INSULATED DRAIN PAN
	115V/1	230V/1	115V		
DFA38-75	\$3,197	\$3,520	\$2,298	95	\$4,517
DFA38-88	4,051	4,368	2,803	100	4,517
DFA38-98	4,468	4,988	3,133	105	4,517
DFA48-112	4,722	5,177	3,500	125	5,362
DFA48-130	4,886	6,042	3,879	130	5,362
DFA48-150	6,058	6,619	4,133	135	5,362
DFA58-162	6,574	7,213	4,650	150	6,024
DFA48-210	7,688	8,370	5,134	155	5,362
DFA58-230	8,521	10,778	5,762	165	6,024
DFA68-250	10,222	11,107	7,011	185	7,258
DFA36-64	3,133	3,259	2,253	90	4,517
DFA36-82	3,972	4,044	2,748	95	4,517
DFA36-93	4,381	4,618	3,072	100	4,517
DFA46-100	4,630	4,794	3,432	120	5,362
DFA46-123	5,415	5,594	3,803	125	5,362
DFA46-140	5,940	6,128	4,052	130	5,362
DFA56-157	6,447	6,679	4,558	145	6,024
DFA46-190	7,537	7,749	5,032	150	5,362
DFA56-208	8,361	8,632	5,649	160	6,024
DFA66-232	10,021	10,284	6,872	180	7,258

ELECTRIC DEFROST MODELS				
MODEL NUMBER	EC Motors† Single Speed		Approx. Ship Wt. (LBS.)	INSULATED DRAIN PAN
	115V/1	230V/1		
DFE36-53	\$5,068		95	\$4,517
DFE36-62	5,233		100	4,517
DFE36-69	5,223		105	4,517
DFE46-77	6,012		125	5,362
DFE46-90	6,728		130	5,362
DFE46-100	7,031		135	5,362
DFE56-125	7,304		150	6,024
DFE46-140	8,426		155	5,362
DFE56-160	9,439		165	6,024
DFE66-218	11,604		185	7,258
DFE34-48	3,661		90	4,517
DFE34-58	5,087		95	4,517
DFE34-65	5,242		100	4,517
DFE44-72	6,003		120	5,362
DFE44-84	6,693		125	5,362
DFE44-95	6,709		130	5,362
DFE54-115	7,003		145	6,024
DFE44-128	7,268		150	5,362
DFE54-145	8,416		160	6,024
DFE64-173	9,453		180	7,258

1. PSC motors are not available for models with 230V/1 requirements. Use models with EC motors for 230V/1 applications.

EC motors = Electronically Commutated Motors

EC motors are not Available in 460V/1 for these models.

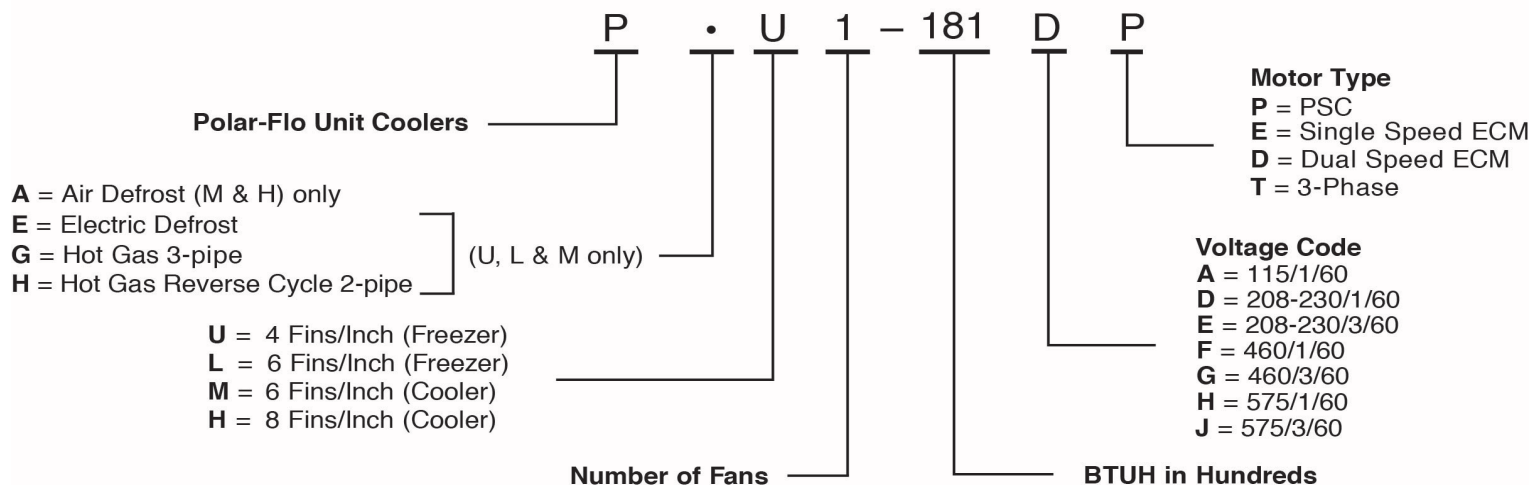
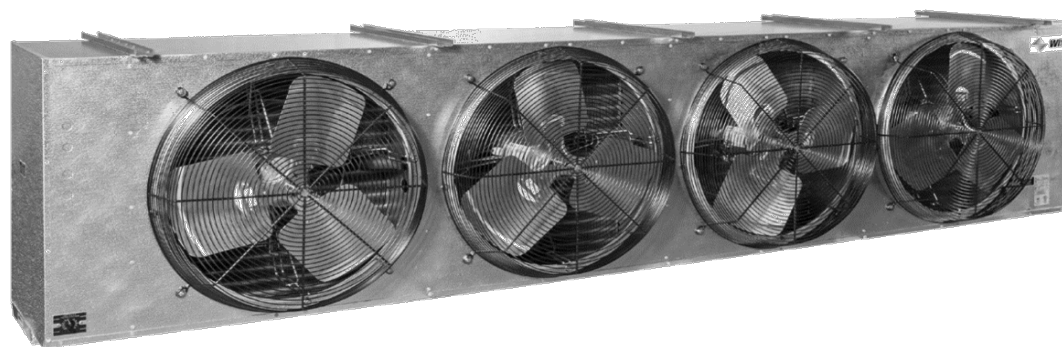
†Use single speed EC motors for 50HZ oper

All units are provided with sweat refrigerant connections.

230V/1/60 models also valid for 208V/1/60

Specify voltage when ordering. See nomenclature for available voltage and motor codes.

POLAR-FLO HIGH PERFORMANCE WAREHOUSE UNIT COOLERS



POLAR-FLO

HIGH PERFORMANCE WAREHOUSE UNIT COOLERS

STANDARD FEATURES

- All units suitable for R404A, R507, R407A, R407C, R407F, R448A, R449A
- Textured Aluminum Construction
- U.L. approved epoxy coated wire fan guards
- All 2 through 6 fan models shipped upright for easier installation
- Adjustable defrost termination and fan delay
- PSC motors with overload protection
- All electrical components are factory wired to a terminal board, and with connection points clearly marked for easy identification
- Fully partitioned fan sections

ORDERING INFORMATION REQUIRED

1. Model number
2. Motor electrical wiring connections (voltage, phase, frequency)
3. Heater wiring connections (voltage, phase, frequency)
4. Evaporator temperature, T.D. and refrigerant type

OPTIONS

DESCRIPTION	LIST PRICE
Air Straightener - Fan Guards (price per fan)	\$487
Copper Finned Coil	Contact factory
Coated Coil (ElectroFin, Bronz-Glow, etc.) available for low temperature electric and hot gas models	Contact factory

AIR DEFROST - ROOM TEMPERATURE 35°F AND ABOVE

Model Number	Electronically Commutated Motors ¹				Single Speed PSC Motors ¹				Inherent 3 Phase Motors	
	Single Speed	Dual Speed			115V/1	208-230V/1	460V/1	575V/1	208-230V/3	460V/3
	115V / 230V/1	115V/1	208-230V/1	460V/1						
PAH1-182	\$5,849	\$6,134	\$6,148	\$6,325	\$5,059	\$5,059	\$5,314	\$5,420	N/A	N/A
PAH1-232	6,524	6,808	6,823	7,000	5,733	5,733	6,223	6,349	N/A	N/A
PAH2-300	9,800	10,369	10,398	10,753	8,219	8,219	8,491	8,662	N/A	N/A
PAH2-365	10,750	11,319	11,348	11,702	9,169	9,169	9,617	9,812	N/A	N/A
PAH2-433	12,477	13,046	13,075	13,428	10,896	10,896	11,434	11,662	N/A	N/A
PAH2-490	13,778	14,346	14,375	14,729	12,196	12,196	12,804	13,061	N/A	N/A
PAH3-530	14,187	15,041	15,084	15,614	11,817	11,817	12,339	12,588	N/A	N/A
PAH3-648	15,773	16,627	16,670	17,201	13,402	13,402	13,813	14,090	N/A	N/A
PAH3-736	18,879	19,732	19,776	20,307	16,507	16,507	17,210	17,555	N/A	N/A
PAH4-866	19,701	20,839	20,898	21,605	16,540	16,540	17,371	17,719	N/A	N/A
PAH4-980	21,386	22,523	22,581	23,289	18,224	18,224	19,304	19,691	N/A	N/A
PAH4-1100	23,297	24,434	24,492	25,199	20,135	20,135	21,148	21,571	N/A	N/A
PAH4-1452†	32,291	N/A	33,800	34,352	N/A	28,495	29,916	30,515	Contact Factory	
PAH4-1821†	39,768	N/A	41,277	41,827	N/A	35,971	37,774	38,530		
PAH5-2275†	42,507	N/A	44,394	45,081	N/A	37,761	40,152	41,261		
PAH6-2730†	50,646	N/A	52,909	53,736	N/A	44,950	46,769	47,705		
PAM1-164	5,684	5,969	5,982	6,160	4,893	4,893	5,136	5,240	N/A	N/A
PAM1-209	6,453	6,737	6,752	7,009	5,662	5,662	5,939	6,057	N/A	N/A
PAM2-270	9,798	10,367	10,396	10,750	8,217	8,217	8,631	8,804	N/A	N/A
PAM2-329	10,707	11,275	11,304	11,658	9,127	9,127	9,583	9,776	N/A	N/A
PAM2-390	12,141	12,710	12,739	13,093	10,560	10,560	11,083	11,304	N/A	N/A
PAM2-441	13,516	14,085	14,115	14,468	11,937	11,937	12,525	12,776	N/A	N/A
PAM3-583	14,468	15,321	15,365	15,896	12,098	12,098	12,686	12,937	N/A	N/A
PAM3-662	15,753	16,607	16,650	17,180	13,383	13,383	13,859	14,137	N/A	N/A
PAM4-780	18,665	19,803	19,861	20,568	15,503	15,503	15,959	16,278	N/A	N/A
PAM4-882	19,893	21,031	21,089	21,796	16,732	16,732	17,215	17,560	N/A	N/A
PAM4-1100†	23,865	N/A	25,374	25,925	N/A	20,069	21,642	22,074	N/A	N/A
PAM4-1320†	32,164	N/A	33,673	34,223	N/A	28,366	29,523	30,115	Contact Factory	
PAM4-1656†	34,182	N/A	35,691	36,242	N/A	30,384	31,281	31,909		
PAM5-2065†	39,236	N/A	41,123	42,326	N/A	34,490	36,811	37,547		
PAM6-2480†	48,340	N/A	50,225	51,429	N/A	42,644	43,727	44,601		

MODEL NUMBER	HT.EXCH @10 T.D./R404A		Insulated Drain Pan	Approx. Ship Wt. (LBS)
	MODEL	LIST		
PAH1-182	HX-150	\$349	\$2,609	210
PAH1-232	HX-150	349	2,609	230
PAH2-300	HX-250	557	2,923	370
PAH2-365	HX-250	557	2,923	410
PAH2-433	HX-250	557	2,923	435
PAH2-490	HX-250	557	2,923	458
PAH3-530	HX-250	557	3,235	550
PAH3-648	HX-350	571	3,235	600
PAH3-736	HX-350	571	3,235	635
PAH4-866	HX-350	571	3,501	690
PAH4-980	HX-500	906	3,501	746
PAH4-1100	(2) HX-350	1,143	3,501	785
PAH4-1452†	(2) HX-350	1,143	3,501	905
PAH4-1821†	(2) HX-500	1,811	3,501	930
PAH5-2275†	(2) HX-500	1,811	3,820	1,160
PAH6-2730†	(2) HX-500	1,811	4,137	1,395

MODEL NUMBER	HT.EXCH @10 T.D./R404A		Insulated Drain Pan	Approx. Ship Wt. (LBS)
	MODEL	LIST		
PAM1-164	HX-150	\$349	\$2,609	200
PAM1-209	HX-150	349	2,609	220
PAM2-270	HX-250	557	2,923	360
PAM2-329	HX-250	557	2,923	400
PAM2-390	HX-250	557	2,923	425
PAM2-441	HX-250	557	2,923	446
PAM3-583	HX-350	571	3,235	585
PAM3-662	HX-350	571	3,235	620
PAM4-780	HX-350	571	3,501	675
PAM4-882	HX-350	571	3,501	726
PAM4-1100†	(2) HX-350	1,143	3,501	830
PAM4-1320†	(2) HX-350	1,143	3,501	885
PAM4-1656†	(2) HX-500	1,811	3,501	910
PAM5-2065†	(2) HX-500	1,811	3,820	1,135
PAM6-2480†	(2) HX-500	1,811	4,137	1,365

1. Motors are single phase. 3 thru 6 fan models are delta wired for 3 phase supply voltage unless otherwise specified.

2. Single speed Electronically Commutated motors are not available in 460V or 575V.

Dual speed EC motors are compliant with California Title 24 regulations.

† 115V motors are not available for these models.

230V motors are suitable for 208V operation.

Specify voltage and motor type when ordering. See page 14 for codes and nomenclature.

**POLAR-FLO
HIGH PERFORMANCE WAREHOUSE UNIT COOLERS**

ELECTRIC DEFROST - LOW TEMPERATURE - BELOW +20°F ROOM

Model Number	Electronically Commutated Motors			Single Speed PSC Motors			3 Phase Motors		Ht. Exch @10° TD		Insulated Drain Pan	Approx. Ship Wt. (LBS)
	Single Speed	Dual Speed		230V/1	460V/1	575V/1	208-230V/3	460V/3	MODEL	LIST		
	208-230V/1 ††	208-230V/1	460V/1									
PEL1-125	N/A	N/A	N/A	\$5,468	\$5,952	\$6,072	N/A	N/A	HX-150	\$349	\$2,609	180
PEL1-152	N/A	N/A	N/A	6,066	6,719	6,854	N/A	N/A	HX-150	349	2,609	200
PEL1-193	N/A	N/A	N/A	7,488	7,978	8,137	N/A	N/A	HX-150	349	2,609	220
PEL2-240	N/A	N/A	N/A	10,325	10,844	11,061	N/A	N/A	HX-250	557	2,923	360
PEL2-304	N/A	N/A	N/A	11,276	11,840	12,077	N/A	N/A	HX-250	557	2,923	400
PEL2-361	\$14,520	\$15,275	\$15,550	12,621	13,248	13,513	Contact Factory		HX-350	571	2,923	425
PEL2-408	15,563	16,318	16,593	13,665	13,857	14,133			HX-350	571	2,923	446
PEL3-445	16,996	18,127	18,540	14,147	14,307	14,592			HX-500	906	3,235	525
PEL3-540	18,943	20,075	20,488	16,095	16,904	17,243			HX-500	906	3,235	585
PEL3-613	20,373	21,505	21,919	17,526	18,367	18,735			HX-500	906	3,235	620
PEL3-660	22,388	23,520	23,933	19,541	20,428	20,838			HX-500	906	3,235	645
PEL4-722	23,836	25,345	25,896	20,039	21,950	22,388			HX-500	906	3,501	675
PEL4-817	29,429	30,938	31,489	25,631	26,914	27,453			HX-500	906	3,501	726
PEL4-950*	32,234	33,743	34,294	28,438	29,016	29,598			HX-500	906	3,501	850
PEL4-1100*	32,613	34,122	34,671	28,815	29,897	30,495			(2) HX-500	1,811	3,501	885
PEL4-1260*	37,610	39,119	39,669	33,813	34,552	35,245			(2) HX-500	1,811	3,501	900
PEL4-1380*	40,673	42,183	42,733	36,876	37,824	38,582			(2) HX-500	1,811	3,501	910
PEL5-1575*	50,751	52,637	53,326	46,005	49,506	50,498			(2) HX-500	1,811	3,820	1,125
PEL5-1725*	54,248	56,134	56,824	49,502	51,086	54,347			(2) HX-500	1,811	3,820	1,175
PEL6-1890*	59,386	61,650	62,477	54,093	57,724	58,879			(2) HX-500	1,811	4,137	1,345
PEL6-2070*	66,514	68,778	69,605	60,819	62,078	63,320			(2) HX-500	1,811	4,137	1,365
PEU1-118	N/A	N/A	N/A	6,253	6,565	N/A	N/A	N/A	HX-150	349	2,609	180
PEU2-236	N/A	N/A	N/A	10,919	11,461	N/A	N/A	N/A	HX-250	557	2,923	370
PEU2-355	15,876	17,007	17,420	13,977	14,172	14,456	Contact Factory		HX-350	571	2,923	440
PEU3-474	19,134	20,643	21,195	16,286	16,398	16,727			HX-350	571	3,235	570
PEU4-711	24,627	26,136	26,687	20,830	21,101	21,525			HX-500	906	3,501	665
PEU4-851*	31,756	33,265	33,817	27,958	28,181	28,747			(2) HX-500	1,811	3,501	875
PEU4-1080*	36,473	37,982	38,533	32,676	33,731	34,407			(2) HX-500	1,811	3,501	900
PEU5-1350*	50,219	52,105	52,794	45,473	46,186	47,111			(2) HX-500	1,811	3,820	1,125
PEU6-1620*	63,038	65,301	66,126	57,341	61,909	63,147	(2) HX-500	1,811	4,137	1,350		

ELECTRIC DEFROST - MEDIUM TEMPERATURE - ABOVE + 30°F ROOM

Model Number	Electronically Commutated Motors			Single Speed PSC Motors			3 Phase Motors		Ht. Exch @10° TD		Insulated Drain Pan	Approx. Ship Wt. (LBS)
	Single Speed	Dual Speed		230V/1	460V/1	575V/1	208-230V/3	460V/3	MODEL	LIST		
	208-230V/1 ††	208-230V/1	460V/1									
PEM1-164	\$7,076	\$7,375	\$7,552	\$6,287	\$6,607	\$6,739	N/A	N/A	HX-150	\$349	\$2,609	200
PEM1-209	8,198	8,497	8,673	7,407	7,899	8,055	N/A	N/A	HX-150	349	2,609	220
PEM2-270	11,148	11,745	12,100	9,568	10,197	10,402	N/A	N/A	HX-250	557	2,923	360
PEM2-329	12,590	13,188	13,541	11,009	11,734	11,969	N/A	N/A	HX-250	557	2,923	400
PEM2-390	14,818	15,415	15,769	13,237	13,755	14,031	N/A	N/A	HX-250	557	2,923	425
PEM2-441	16,194	16,791	17,145	14,613	15,344	15,652	N/A	N/A	HX-250	557	2,923	446
PEM3-583	19,275	20,172	20,702	16,904	18,029	18,389	Contact Factory		HX-350	571	3,235	585
PEM3-662	20,762	21,658	22,189	18,391	19,131	19,514			HX-350	571	3,235	620
PEM4-780	24,935	26,131	26,995	21,773	22,010	22,451			HX-350	571	3,501	675
PEM4-882	28,948	30,143	31,007	25,786	26,741	27,276			HX-350	571	3,501	726
PEM4-1100	32,890	34,399	34,950	29,093	30,547	31,159			(2) HX-350	1,143	3,501	830
PEM4-1320	39,992	41,501	42,053	36,196	38,578	39,349			(2) HX-350	1,143	3,501	885
PEM4-1656	51,938	53,447	53,999	48,142	49,788	50,784			(2) HX-500	1,811	3,501	910
PEM5-2065	64,123	66,009	66,699	59,376	60,847	62,063			(2) HX-500	1,811	3,820	1,140
PEM6-2480	74,434	76,698	77,525	66,094	67,537	68,888			(2) HX-500	1,811	4,137	1,365

1. Standard motors are single phase. Three thru six fan models are delta wired for 3 phase supply unless otherwise specified.

2. Single speed Electronically Commutated motors are not available in 460V or 575V.

230V motors are suitable for 208V operation.

Dual speed EC motors are compliant with California Title 24 regulations.

* - 2 liq. and suction connections per evaporator - 2 TXV's needed when ordering with unit.

EC motors are not available for models with 1625 RPM motors.

†† ECM motors only available in single phase. Can be delta wired for 3 phase operation.

Ordering Information Required:

1. Model Number.
2. Motor type
3. Electrical connections (voltage/phase/frequency). See page 14 for codes and nomenclature.
4. Evaporator temperature, T.D. and refrigerant type

**POLAR-FLO
HOT GAS 3 PIPE DEFROST**

LOW TEMPERATURE - BELOW + 20°F ROOM

MODEL NUMBER	Electronically Commutated Motors			Single Speed PSC Motors			3 Phase Motors		Ht. Exch./Re-Evap No Longer Available	Insulated Drain Pan	Approx. Ship Wt. (LBS.)
	Single Speed	Dual Speed		230V/1	460V/1	575V/1	208-230V/3	460V/3			
	230V/1 ††	230V/1	460V/1								
PHL1-125	N/A	N/A	N/A	\$6,734	\$7,070	N/A	N/A	N/A	Discontinued	\$2,609	180
PHL1-152	N/A	N/A	N/A	7,291	7,654	N/A	N/A	N/A	Discontinued	2,609	200
PHL1-193	N/A	N/A	N/A	8,530	8,950	N/A	N/A	N/A	Discontinued	2,609	220
PHL2-240	N/A	N/A	N/A	11,914	12,510	N/A	N/A	N/A	Discontinued	2,923	370
PHL2-304	N/A	N/A	N/A	12,854	13,501	N/A	N/A	N/A	Discontinued	2,923	400
PHL2-361	\$17,361	\$18,116	\$18,391	15,463	16,234	\$16,559	N/A	N/A	Discontinued	2,923	425
PHL2-408	19,062	19,816	20,091	17,163	18,019	18,380	N/A	N/A	Discontinued	2,923	446
PHL3-445	20,984	22,116	22,528	18,135	19,050	19,432	Contact Factory	N/A	Discontinued	3,235	525
PHL3-540	22,763	23,894	24,307	19,914	20,914	21,333			Discontinued	3,235	585
PHL3-613	23,575	24,706	25,119	20,870	21,911	22,351			Discontinued	3,235	620
PHL3-660	25,348	26,480	26,892	22,643	23,780	24,254			Discontinued	3,235	645
PHL4-722	29,376	30,885	31,436	25,427	26,699	27,234			Discontinued	3,501	675
PHL4-817	34,233	35,742	36,292	30,283	31,792	32,429			Discontinued	3,501	726
PHL4-950*	38,918	40,427	40,979	35,197	36,959	37,698			Discontinued	3,501	850
PHL4-1100*	44,085	45,594	46,144	40,287	42,303	43,148			Discontinued	3,501	885
PHL4-1260*	50,292	51,801	52,351	46,495	48,814	49,791			Discontinued	3,501	900
PHL4-1380*	55,381	56,890	57,441	51,584	54,164	55,247			Discontinued	3,501	910
PHU1-118	N/A	N/A	N/A	7,197	7,553	N/A	N/A	N/A	Discontinued	2,609	180
PHU2-236	N/A	N/A	N/A	12,817	13,455	N/A	N/A	N/A	Discontinued	2,923	370
PHU2-355	19,579	20,334	20,609	17,680	18,562	18,933	N/A	N/A	Discontinued	2,923	440
PHU3-474	25,527	26,658	27,071	22,679	23,399	23,867	Contact Factory	N/A	Discontinued	3,235	570
PHU4-711	35,923	37,054	37,467	32,125	33,727	34,401			Discontinued	3,501	665
PHU4-851*	41,291	42,423	42,837	37,494	39,370	40,158			Discontinued	3,501	875
PHU4-1080*	53,039	54,170	54,583	49,241	51,705	52,740			Discontinued	3,501	900

MEDIUM TEMPERATURE - ABOVE + 28°F ROOM

MODEL NUMBER	Electronically Commutated Motors			Single Speed PSC Motors			3 Phase Motors		Ht. Exch./Re-Evap No Longer Available	Insulated Drain Pan	Approx. Ship Wt. (LBS.)
	Single Speed	Dual Speed		115V/230V	460V/1	575V/1	208-230V/3	460V/3			
	115/230V/1 ††	230V/1	460V/1								
PHM1-164	\$7,787	\$8,085	\$8,263	\$6,997	\$7,345	\$7,492	N/A	N/A	Discontinued	\$2,609	200
PHM1-209	8,663	8,962	9,139	7,904	8,296	8,461	N/A	N/A	Discontinued	2,609	220
PHM2-270	12,397	12,995	13,348	10,848	11,388	11,617	N/A	N/A	Discontinued	2,923	360
PHM2-329	13,492	14,090	14,444	11,952	12,557	12,807	N/A	N/A	Discontinued	2,923	400
PHM2-390	15,796	16,393	16,747	14,279	14,986	15,285	N/A	N/A	Discontinued	2,923	425
PHM2-441	19,247	19,845	20,199	17,571	18,448	18,816	N/A	N/A	Discontinued	2,923	446
PHM3-583	22,465	23,361	23,892	19,974	20,974	21,393	Contact Factory	N/A	Discontinued	3,235	585
PHM3-662	23,448	24,345	24,875	21,078	22,131	22,575			Discontinued	3,235	620
PHM4-780	26,425	27,619	28,328	23,263	24,422	24,911			Discontinued	3,501	675
PHM4-882	31,087	32,284	32,991	27,926	29,323	29,908			Discontinued	3,501	726
PHM4-1100†	36,767	38,276	38,828	32,971	34,631	35,325			Discontinued	3,501	830
PHM4-1320†	42,902	44,411	44,962	39,105	41,054	41,876			Discontinued	3,501	885
PHM4-1656†	54,196	55,705	56,256	50,398	52,916	53,976			Discontinued	3,501	910

† - Models not available with 115V motors.

230V motors are suitable for 208V operation.

* - Two liquid and suction connections per evaporator - 2 TXV's required.

EC motors not available for models with 1625 RPM motors.

1. Standard motors are single phase. 3 thru 6 fan models are delta wired for 3 phase supply.

2. Single speed Electronically Commutated motors are not available in 460V or 575V.

3. Models with 24" fans not available with 115V motors.

Dual speed EC motors are compliant with California Title 24 regulations.

†† ECM motors only available in single phase. Can be delta wired for 3 phase operation.

Ordering Information Required:

1. Model Number
2. Electrical connections. See page 14 for voltage codes and an example of nomenclature layout.
3. Evaporator temperature, T.D. and refrigerant type

**POLAR-FLO
HOT GAS 2-PIPE REVERSE CYCLE**

LOW TEMPERATURE - BELOW + 20°F ROOM

MODEL NUMBER	Electronically Commutated Motors			Single Speed PSC Motors			3 Phase Motors		Insulated Drain Pan	Ht. Exch @10° TD		Approx. Ship Wt. (LBS.)
	Single Speed	Dual Speed		230V/1	460V/1	575V/1	208-230V/3	460V/3		MODEL	LIST	
		230V/1 ††	230V/1									
PGL1-125	N/A	N/A	N/A	\$5,902	\$6,198	N/A	N/A	N/A	\$2,609	HX-150	\$349	180
PGL1-152	N/A	N/A	N/A	6,465	6,784	N/A	N/A	N/A	2,609	HX-150	349	200
PGL1-193	N/A	N/A	N/A	7,562	7,946	N/A	N/A	N/A	2,609	HX-150	349	220
PGL2-240	N/A	N/A	N/A	10,446	10,967	N/A	N/A	N/A	2,923	HX-250	557	370
PGL2-304	N/A	N/A	N/A	11,392	11,963	N/A	N/A	N/A	2,923	HX-250	557	400
PGL2-361	\$14,854	\$15,232	\$15,370	12,955	13,478	\$13,748	Contact Factory		2,923	HX-350	571	425
PGL2-408	15,666	16,044	16,181	13,768	14,319	14,606			2,923	HX-350	571	446
PGL3-445	20,079	20,456	20,593	16,775	17,447	17,796			3,235	HX-500	906	525
PGL3-540	21,851	22,229	22,366	18,632	19,377	19,764			3,235	HX-500	906	585
PGL3-613	22,354	22,732	22,869	19,249	20,022	20,423			3,235	HX-500	906	620
PGL3-660	23,769	24,146	24,283	20,580	21,401	21,828			3,235	HX-500	906	645
PGL4-722	26,737	27,114	27,252	22,748	23,547	24,019			3,501	HX-500	906	675
PGL4-817	31,073	31,450	31,587	27,086	27,630	28,181			3,501	HX-500	906	726
PGL4-950*	34,052	34,429	34,568	30,179	31,081	31,702			3,501	HX-500	906	850
PGL4-1100*	35,473	35,849	35,987	31,562	32,093	32,735			3,501	(2) HX-500	1,811	885
PGL4-1260*	39,628	40,006	40,144	35,755	36,833	37,568			3,501	(2) HX-500	1,811	900
PGL4-1380*	43,574	43,951	44,089	39,701	41,386	42,215			3,501	(2) HX-500	1,811	910
PGL5-1575*	48,289	48,666	48,804	43,542	49,092	50,075			3,820	(2) HX-500	1,811	1,125
PGL5-1725*	52,156	52,533	52,670	47,409	50,062	51,065			3,820	(2) HX-500	1,811	1,175
PGL6-1890*	59,222	59,598	59,736	53,754	55,633	56,747			4,137	(2) HX-500	1,811	1,250
PGL6-2070*	64,104	64,481	64,618	58,978	63,850	65,127			4,137	(2) HX-500	1,811	1,300
PGU1-118	N/A	N/A	N/A	6,178	6,489	N/A	N/A	N/A	\$2,609	HX-150	349	180
PGU2-236	N/A	N/A	N/A	11,013	11,568	N/A	N/A	N/A	2,923	HX-250	557	370
PGU2-355	17,866	18,621	18,896	15,528	16,098	17,866	Contact Factory		2,923	HX-350	571	440
PGU3-474	21,113	22,244	22,657	18,706	19,657	21,113			3,235	HX-350	571	570
PGU4-711	28,584	30,093	30,643	21,522	21,866	28,584			3,501	HX-500	906	665
PGU4-851*	34,551	36,060	36,612	27,944	28,904	34,551			3,501	(2) HX-500	1,811	875
PGU4-1080*	37,921	39,430	39,982	32,419	34,642	37,921			3,501	(2) HX-500	1,811	900
PGU5-1350*	51,329	53,216	53,904	45,763	48,515	51,329			3,820	(2) HX-500	1,811	1,150
PGU6-1620*	67,664	53,216	69,209	63,565	68,815	67,664	4,137	(2) HX-500	1,811	1,275		

MEDIUM TEMPERATURE - ABOVE + 30°F ROOM

MODEL NUMBER	Electronically Commutated Motors			Single Speed PSC Motors			3 Phase Motors		Insulated Drain Pan	Ht. Exch @10° TD		Approx. Ship Wt. (LBS.)
	Single Speed	Dual Speed		230V/1	460V/1	575V/1	208-230V/3	460V/3		MODEL	LIST	
		115V / 230V/1	230V/1									
PGM1-164	\$7,371	\$7,670	\$7,847	\$6,534	\$6,865	\$7,002	N/A	N/A	\$2,609	HX-150	\$349	200
PGM1-209	8,224	8,523	8,699	7,417	7,782	7,937	N/A	N/A	2,609	HX-150	349	220
PGM2-270	11,556	12,155	12,508	9,945	10,447	10,656	N/A	N/A	2,923	HX-250	557	360
PGM2-329	12,627	13,224	13,579	11,013	11,563	11,794	N/A	N/A	2,923	HX-250	557	400
PGM2-390	14,930	15,527	15,881	13,317	13,986	14,265	N/A	N/A	2,923	HX-250	557	425
PGM2-441	19,112	19,711	20,065	17,248	18,113	18,476	N/A	N/A	2,923	HX-250	557	446
PGM3-583	22,324	23,220	23,751	19,549	20,521	20,930	Contact Factory		3,235	HX-350	571	585
PGM3-662	23,412	24,308	24,839	20,638	21,671	22,103			3,235	HX-350	571	620
PGM4-780	24,579	25,775	26,483	21,038	24,079	24,561			3,501	HX-350	571	675
PGM4-882	29,177	30,373	31,080	25,541	29,713	30,307			3,501	HX-350	571	726
PGM4-1100†	35,538	37,047	37,597	31,437	33,011	33,671			3,501	(2) HX-350	1,143	830
PGM4-1320†	40,224	41,733	42,283	36,237	38,047	38,807			3,501	(2) HX-350	1,143	885
PGM4-1656†	47,979	49,489	50,038	43,138	47,703	48,656	3,501	(2) HX-500	1,811	910		
PGM5-2065†	53,196	55,083	55,770	48,354	59,622	60,813	3,820	(2) HX-500	1,811	1,130		
PGM6-2480†	64,585	66,849	67,676	59,492	68,736	70,111	4,137	(2) HX-500	1,811	1,250		

† - These models not available with 115V motors.

* Two liquid and suction connections per evaporator - 2 TX's required.

- Standard motors are single phase. Three thru six fan models are delta wired for 3 phase supply voltage.
- List adder - Liquid TEV bypass check valve, shipped loose. \$409 (Through 270), \$1124 (Through 583), \$1781 (Through 2840).
- Single speed Electronically Commutated motors are not available in 460V or 575V.
- Models with 24" fans not available with 115V motors. 230V motors are suitable for 208V operation.

Dual speed EC motors are compliant with California Title 24 regulations.

†† ECM motors only available in single phase. Can be delta wired for 3 phase operation.

EC motors not available for models with 1625 RPM motors.

Ordering Information Required:

- Model Number.
- Electrical connections (voltage/phase/frequency). See page 14 for codes and nomenclature layout.
- Evaporator temperature, T.D. and refrigerant type.

SYSTEM PRICING EXAMPLES

Example 1:

5 HP, R-404A +35°F cooler matched with 2 unit coolers,
95°F summer ambient, 10°F winter ambient.

QTY.		LIST PRICE
1	WFDS05M4SEA Outdoor Condensing Unit 230/3/60 53,000 BTUH @ 25° S.T. and 95 ambient	\$23,664
2	WL6A235AE Unit Coolers 115V/1/60	13,800
Field installed components		
2	Thermostatic expansion valves	718
1	Liquid line solenoid valve	379
1	Room thermostat	307
Optional accessories		
1	Air defrost timer installed	597
TOTAL LIST PRICE		\$39,465
1	Additional 4 year Compressor Protection Plan	NET PRICE \$489

Example 2:

10HP, R-404a, -10°F Freezer, matched with 2 unit coolers
95°F Summer ambient, 35°F winter ambient

QTY.		LIST PRICE
1	WFDS10L4SEA Outdoor Condensing 230/3/60 50,300 BTUH @ -20° S.T. and 95° ambient	\$37,677
1	DMB35 Electric defrost provisions, factory installed	2,075
2	PEL2-304 unit coolers, 230/1/60 motors, 230/3/60 defrost 25,150 BTUH each @ 9 T.D.	22,552
Field installed components		
2	Thermostatic expansion valves	1,596
1	Liquid line solenoid valve	491
1	Room thermostat	307
Optional accessories		
1	Suction Accumulator	1,243
1	Oil separator	1,533
2	HX - 350 Heat exchangers (field installed)	1,142
TOTAL LIST PRICE		\$68,616
1	Additional 4 year Compressor Protection Plan	NET PRICE \$776

OPTIONAL SYSTEM COMPONENTS

HEAT EXCHANGERS - Shipped Loose

MODEL NUMBER	PART NUMBER	LIST PRICE	CONNECTIONS (inches)		APPROXIMATE LENGTH (inches)
			LIQUID	SUCTION	
HX-25	105065001	\$169	1/4	1/2	12
HX-50	105065003	199	3/8	5/8	13
HX-75	105065004	273	3/8	7/8	14
HX-100	105065005	349	3/8	1-1/8	14
HX-150	105065006	403	1/2	1-1/8	14
HX-250	105065007	557	5/8	1-3/8	14
HX-350	105065008	571	5/8	1-5/8	16
HX-500	105065009	906	7/8	2-1/8	17
LHX-15	105065010	2,484	7/8	2-1/8	30
LHX-20	105065011	2,658	1-1/8	2-1/8	30
LHX-25	105065012	2,846	1-1/8	2-5/8	38

EXPANSION VALVES

BALANCED PORT TXV'S	List	
1/4 - 3 Tons	Loose	\$359
	Installed	407
4 - 9 Tons	Loose	460
	Installed	715
10 - 30 Tons	Loose	798
	Installed	1,181
Electronic Expansion Valves	List	
1 to 15 Tons	Loose	\$1,098
	Installed	1,451
16 to 25 Tons	Loose	1,577
	Installed	1,930

- EEV prices include cable.
- EEV prices DO NOT include controller.

ECONET® ENABLED UNIT COOLERS - SEE PAGES 6 & 7

ECONET COMMAND CENTER

Remote Mount Display for EcoNet Enabled Unit Coolers[^]

DESCRIPTION	PART NUMBER	LIST EACH
Shipped Loose - EcoNet Command Center for EcoNet Enabled Unit Coolers. Available for NEXT-GEN ALL-TEMP Low Profile (Air or Electric Defrost Models) with EcoNet Control package installed	HETST700SYS	\$941

[^] The **remote mount display** allows for EcoNet Enabled Unit Coolers to be programmed, monitored and troubleshot outside of the space being cooled. The Command Center is shipped separately and includes everything in the box needed to wall mount the display.

KE2 EVAP- OEM EVAPORATOR DEFROST CONTROL *

DESCRIPTION	PART NUMBER	LIST EACH
Factory Installed - For NEXT-GEN ALL-TEMP Low Profile 115V or 230V/1 (Air or Electric Defrost Models)	0829632	\$4,082

*1Ø units only. **Internally mounted control board**, external display, mounted sensors and EEV.

SURVEILLANT EVAPORATOR DEFROST CONTROL *

DESCRIPTION	PART NUMBER	LIST EACH
Factory Installed - For DFA models - 115V (Air Defrost Only)	08219551	\$5,927
Factory Installed - For DFA/DFE models - 230V/1 (Air or Electric Defrost)	08219552	
Smartgate Router (Shipped Loose)	08219541	\$3,111

*1Ø units only. **Externally mounted control enclosure**, mounted sensors and EEV

ROOM THERMOSTATS

TYPE	RANGE	LIST
Mechanical - Loose	-30°F to + 100°F	\$307
Mechanical - Installed @ Evap		\$333
Electronic - Loose	-30°F to + 100°F	\$396
Electronic - Installed @ Evap		\$416

LIQUID LINE SOLENOID VALVE - LIST PRICE EACH

HORSEPOWER RANGE	LOOSE	MTD*
1/2 thru 3 HP	\$303	\$327
4 thru 8 HP	339	379
9 thru 10 HP	491	626
12 thru 15 HP	605	780
22 HP	772	895

* Mounted at the evaporator. LLS mounted at the condensing unit is not available.
For multiple evaporator systems, divide condensing unit HP by the number of evaps.

NEXT-GENERATION PROLINE • AIR COOLED CONDENSING UNITS

1/2 THRU 6 H.P.

Standard Features (all models)

- Hermetic or Scroll compressors
- Weather resistant painted galvanized steel housing on a raised galvanized steel base
- Generously sized condenser. Enhanced Copper tubing / Aluminum fins
- Integrated subcooling loop increases system efficiency
- Easy access liquid & suction line shut off valves mounted external to cabinet
- Liquid receiver with isolation valve and pressure relief plug
- **Liquid line filter/drier and sight glass with moisture indicator**
- Suction line piping (filter optional)
- Encapsulated auto reset high pressure control

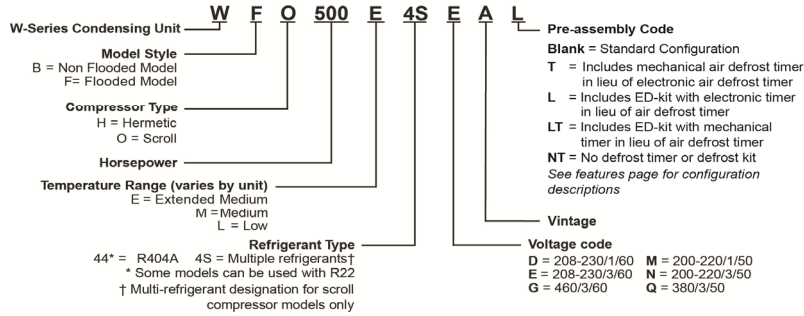
- Mild Ambient Fan Cycle control (WB models only)
- Large electrical control panel with hinged/lift off door
- Color coded wiring with point-to-point wiring diagram
- Crankcase heater
- PSC condenser fan motor(s)
- **Air Defrost Timer on all Medium Temp. standard models**
- **Low temp. standard models include Electric Defrost provisions**
- UL and CUL listed for indoor / outdoor use
- Adjustable low pressure control for low temp. models
- Encapsulated auto reset low pressure control (medium temps)

WF models also include a Flooded Head Pressure Control Valve (70°F) as a standard feature

Optional Components

- Electric Defrost for extended range medium temp. models
- Suction line filter
- Mounted replaceable core liquid or suction line filter (4 to 6 HP)
- Suction Accumulator
- Oil Separator (may not be available with accumulator)
- Liquid line piping only (no filter)
- Copper or polyester coated fins
- Electro-Fin coated condenser coil
- Single Speed EC condenser mtr.
- Pumpdown toggle switch
- Thru-the-door disconnect switch (some models)
- External fused or non-fused disconnect
- Paragon mechanical timer
- CPC timer
- Phase loss monitor
- Snow / Hail guards

NOMENCLATURE



HERMETIC COMPRESSOR MODELS														
REF TYPE	NOM. H.P.	MODEL NUMBER	Compressor	WF OUTDOOR FLOODED LIST PRICE (Includes Flooded Head Pressure Control Valve, Liquid Line Kit with Filter/Drier and Sight Glass with Moisture Indicator)					WB INDOOR / OUTDOOR BASE UNIT LIST PRICE (Includes Fan Cycle Head Pressure Control Valve, Liquid Line Kit with Filter/Drier and Sight Glass with Moisture Indicator, and Defrost Timer or Kit)			ECM cond. motor add.	4 year Compressor Protection Plan	Approx. Ship Wt. (LBS)
				Standard Model with Defrost Timer or Kit			NT Model - No Defrost Timer or Defrost Kit							
				208-230V/3	208-230V/1	460V/3	208-230V/3	208-230V/1	208-230V/3	208-230V/1	460V/3			
EXTENDED RANGE MEDIUM TEMP 404A	0.50	W*H055E4S	RST45C1E	N/A	\$7,175	N/A	N/A	\$6,599	N/A	\$6,722	N/A	\$267	\$113 NET	152
	0.75	W*H080E4S	RST55C1E	N/A	7,235	N/A	N/A	6,659	N/A	6,810	N/A	267	113 NET	156
	0.75	W*H090E4S	RST64C1E	N/A	7,689	N/A	N/A	7,113	N/A	7,219	N/A	267	113 NET	160
	1.00	W*H100E4S	RST70C1E	\$7,960	8,050	N/A	\$7,384	7,474	\$7,457	7,548	N/A	267	113 NET	167
	1.25	W*H125E4S	RST97C1E	8,337	8,431	N/A	7,761	7,855	7,842	7,918	N/A	534	127 NET	195
	1.50	W*H150E44	CS10K6E	8,640	8,667	\$9,179	8,064	8,091	8,152	8,161	\$8,591	534	127 NET	205
	2.00	W*H200E44	CS12K6E	9,265	9,098	N/A	8,689	8,522	8,759	8,604	N/A	534	139 NET	228
	2.50	W*H250E44	CS14K6E	9,624	9,785	10,635	9,048	9,209	9,090	9,252	10,105	534	139 NET	235
LOW TEMP 404A	3.00	W*H300E44	CS18K6E	9,982	10,142	10,867	9,406	9,566	9,324	9,494	10,369	534	153 NET	253
	3.00	W*H325E44	CS20K6E	10,048	10,249	11,098	9,472	9,673	9,577	9,772	10,632	534	153 NET	273
	1.00	W*H100L44	CF04K6E	7,982	7,852	N/A	\$7,287	\$7,157	7,487	7,444	N/A	534	127 NET	195
	1.50	W*H150L44	CF06K6E	8,022	7,884	8,349	7,327	7,189	7,531	7,475	7,875	534	127 NET	195
	2.00	W*H200L44	CF09K6E	8,977	8,613	9,122	8,282	7,918	8,467	8,203	8,644	534	139 NET	243
3.00	W*H300L44	CF12K6E	11,401	11,246	11,952	10,706	10,551	10,946	10,782	11,487	534	153 NET	255	

§ For R507 models, use equivalent R404A model prices.
 * Models 055E4S, 080E4S, and 090E4S are not suitable for use with R507. Use Scroll compressors for refrigerants other than R404A/507.
 † Additional price to order optional ECM condenser fan motors. Not available for 460V.
 NT Pre-Assembly Also Available on Non-Flooded Models

NOTE: An optional Electric Defrost kit must be ordered in lieu of the standard Air Defrost Timer when Extended range medium temperature models are used for low temperature applications.

NEXT-GENERATION W-SERIES • AIR COOLED CONDENSING UNITS

1/2 Thru 6 H.P. Scroll compressors

Next-Gen W-Series Scroll:

W-Series Next-Gen Air Cooled Condensing Units are configured with quiet and reliable scroll compressors.

Models range from 1/2 to 6 horsepower. Refer to page 22 for a list of optional components and publication number WT-WFH for detailed specifications.



NEXT-GEN W-SERIES • SCROLL CONDENSING UNITS

Temp Range	NOM H.P.	Model Number	Compressor	WF FLOODED UNIT LIST PRICE (Includes Flooded Head Pressure Control Valve, Liquid Line Kit with Filter/Drier and Sight Glass with Moisture Indicator)*						WB NON FLOODED UNIT LIST PRICE (Includes Fan Cycle Head Pressure Control Valve, Liquid Line Kit with Filter/Drier and Sight Glass with Moisture Indicator, and Defrost Timer or Kit)†			EC ¹ Motor Adder	4 Year Compressor Protection Plan	Approx. Ship Wt. (LBS)	
				Standard Model with Defrost Timer or Kit			NT Model - No Defrost Timer or Defrost Kit									
				208-230V/3	208-230V/1	460/3	208-230V/3	208-230V/1	460/3	208-230V/3	208-230V/1	460/3				
				Medium Temp	0.5	W*O060M4S	ZB06KAE	\$7,996	\$7,902	N/A	\$7,420	\$7,326				N/A
0.75	W*O080M4S	ZB07KAE	8,563		8,344	N/A	7,987	7,768	N/A	8,169	7,950	N/A	267	209	NET	195
1.0	W*O100M4S	ZB08KAE	8,665		8,500	N/A	8,089	7,924	N/A	8,271	8,102	N/A	267	209	NET	195
1.25	W*O130E4S	ZS09KAE	8,972		9,000	\$9,877	8,396	8,424	\$9,301	8,567	8,557	\$9,475	267	209	NET	195
1.5	W*O150E4S	ZS11KAE	9,120		9,061	10,116	8,544	8,485	9,540	8,711	8,622	9,707	267	209	NET	205
2.0	W*O180E4S	ZS13KAE	9,856		10,022	10,602	9,280	9,446	10,026	9,355	9,385	10,148	267	209	NET	210
2.5	W*O200E4S	ZS15KAE	10,102		10,033	10,723	9,526	9,457	10,147	9,619	9,552	10,268	267	209	NET	215
3.0	W*O250E4S	ZS19KAE	10,356		10,222	10,875	9,780	9,646	10,299	9,882	9,737	10,420	267	209	NET	230
3.5	W*O300E4S	ZS21KAE	11,131		10,942	11,597	10,555	10,366	11,021	10,711	10,534	11,203	476	272	NET	305
4.0	W*O350E4S	ZS26KAE	12,207		12,018	12,640	11,631	11,442	12,064	11,732	11,539	12,182	476	272	NET	325
Low Temp	4.5	W*O400E4S	ZS29KAE	11,944	12,183	13,137	11,388	11,607	12,561	11,516	11,715	12,714	476	285	NET	352
	5.0	W*O450E4S	ZS33KAE	12,886	13,147	14,183	12,310	12,571	13,607	12,426	12,704	13,623	476	292	NET	375
	6.0	W*O500E4S	ZS38KAE	13,907	13,756	14,338	13,331	13,180	13,762	13,501	13,345	13,902	476	292	NET	383
	6.0	W*O600E4S	ZS45KAE	15,432	N/A	15,866	14,856	N/A	15,290	14,899	N/A	15,407	476	292	NET	405
	1.0	W*O100L4S	ZF03KAE	9,230	9,108	N/A	8,535	8,413	N/A	8,617	8,614	N/A	267	209	NET	195
	1.3	W*O130L4S	ZF04KAE	9,632	9,504	N/A	8,937	8,809	N/A	9,089	9,045	N/A	267	209	NET	195
	1.5	W*O160L4S	ZF05KAE	10,063	9,930	N/A	9,368	9,235	N/A	9,571	9,492	N/A	267	209	NET	195
	2.0	W*O200L4S	ZF07KAE	10,679	10,536	11,585	9,984	9,841	10,890	10,262	10,123	10,937	267	209	NET	230
	2.5	W*O250L4S	ZF08KAE	11,582	11,379	12,487	10,887	10,684	11,792	11,188	10,984	11,863	267	209	NET	240
	3.0	W*O300L4S	ZF09KAE	12,004	11,785	12,700	11,309	11,090	12,005	11,610	11,653	12,251	267	272	NET	245
3.5	W*O350L4S	ZF11KAE	13,167	13,020	13,600	12,472	12,325	12,905	12,773	12,587	13,207	267	272	NET	255	
4.0	W*O400L4S	ZF13KAE	14,818	14,670	15,026	14,123	13,975	14,431	14,224	14,277	14,633	476	285	NET	352	
5.0	W*O500L4S	ZF15KAE	15,241	15,160	15,493	14,546	14,465	14,798	14,848	14,697	15,099	476	285	NET	367	
6.0	W*O600L4S	ZF18KAE	16,127	N/A	16,386	15,432	N/A	15,691	15,734	N/A	15,992	476	292	NET	383	

*Additional list price to order optional Electronically Commutated condenser fan motors. Not available for 460V.

See page 20 for voltage codes and an example of nomenclature layout.

†NT Pre-Assembly Also Available on Non-Flooded Models

NOTE: An optional Electric Defrost kit must be ordered in lieu of the standard Air Defrost Timer when Extended Range Medium Temperature Models are used for low temperature applications.

LEGACY PROLINE / G-SERIES • AIR COOLED CONDENSING UNITS (models will be discontinued on 4/1/19)

Standard features for Legacy GE style Indoor / Outdoor models:

- Semi-hermetic or Discus Scroll compressors
- Heavy gauge galvanized steel weather-proof housing on a raised base
- Compressor Contactor (three phase) or Start Kit (single phase)
- Main Power Block and Control Circuit Fuses
- High-low Pressure Control and Oil Pressure Control (when required)
- Liquid Receiver with Shut-off Valve and Pressure Relief Plug
- Liquid and suction line piping (filters are optional)
- PSC condenser fan motor(s)
- UL and cUL listed.

Standard features for Legacy GL style Outdoor models:

- Same features as GE models, plus:
- Liquid Line Filter/Drier, Sight Glass & Pre-bent Piping
- Crankcase Heater
- Low ambient Head Pressure Valve.
- Air Defrost Timer on 2-1/2 to 3 H.P. Medium & High Temp models
- Electric Defrost Timer with Defrost Contactor/Relay on Low Temp models (ED10-230/1 on 1/2 thru 3 HP)

NOTE: Models will be discontinued on 4/1/19.

SEMI-HERMETIC COMPRESSOR MODELS

REF TYPE	NOM H.P.	Model Number	Compressor	GL OUTDOOR PACKAGE LIST PRICE			GE INDOOR / OUTDOOR LIST PRICE			4 Year Compressor Protection Plan	Approx. Ship Wt. (LBS)	EC ¹ Motor Adder
				208-230V/3	208-230V/1	460V/3	208-230V/3	208-230V/1	460V/3			
				MEDIUM TEMP 404A	0.75	G*S075M44	KAN-007E	\$8,628	\$8,628			
1.0	G*S100M44	KAR-010E	8,883		8,883	N/A	7,324	7,324	N/A	209	NET	220
1.5	G*S150M44	KAG-010E	10,752		N/A	N/A	8,781	N/A	N/A	209	NET	245
2.0	G*S200M44	KAK-02xE	12,624		12,624	N/A	10,925	10,925	N/A	209	NET	270
2.5	G*S250M44	ERC-02xE	13,124		N/A	\$14,352	12,615	N/A	\$13,761	209	NET	385
LOW TEMP R404A	0.50	G*S050L44	KAN-005E	9,239	9,239	N/A	6,728	6,496	N/A	209	NET	189
	0.75	G*S075L44	KAM-007E	9,920	9,920	N/A	7,087	6,891	N/A	209	NET	205
	1.0	G*S100L44	KAJ-01xE	10,375	10,375	10,739	7,812	7,798	8,114	209	NET	220
	1.5	G*S150L44	KAL-01xE	10,825	10,656	11,840	9,121	8,973	10,656	209	NET	248
	2.0	G*S200L44	EAV-021E	13,358	13,430	14,147	11,102	11,267	13,286	209	NET	290
3.0	G*S300L44*	LAH-032E	14,846	14,846	15,276	13,349	13,652	14,404	272	NET	383	

* Model G*S300L44 is not available for 208V/1 (230V) only.

*Additional list price to order optional Electronically Commutated condenser fan motors. Not available for 460V.

DISCUS COMPRESSOR MODELS

No Longer Available. Select Next Gen II model - See Page 23

NEXT-GEN W-SERIES / LEGACY PROLINE G-SERIES • AIR COOLED CONDENSING UNITS
1/2 THRU 6 H.P. - OPTIONS

FACTORY INSTALLED OPTIONS

OPTIONS / ACCESSORIES	OPTION NUMBER	H.P. RANGE	WF MODELS	WB MODELS	GL PACKAGE	GE MODELS
CRANKCASE HEATER	CCH-1	1/2 - 6 H.P.	STD.	STD.	STD.	\$215
DEDUCT CRANKCASE HEATER		1/2 - 6 H.P.	-\$215	-\$215	-\$215	N/A
LIQUID LINE COMPONENTS	LK-MC1	1/2 - 3 H.P.	STD.	STD.	STD.	558
- Filter drier, sight-glass and piping	LK-MC2	4 - 6 H.P.	STD.	STD.	STD.	648
LIQUID LINE ONLY (Deduct liquid line filter and sight glass)	LL-MC1	1/2 - 3 H.P.	-344	-344	N/A	STD.
	LL-MC2	4 - 6 H.P.	-409	-409	N/A	STD.
Replaceable Core Liquid Filter/Dryer (4 - 6 H.P. only). Must add LK for GE units.	RPL-4	4 - 6 H.P.	524	524	524	524
SUCTION LINE COMPONENTS	SK-MC1	1/2 - 3 H.P.	356	356	356	356
- Filter and Piping	SK-MC2	4 - 6 H.P.	423	423	423	423
REPLACEABLE CORE SUCTION FILTER (4 - 6 H.P. only)	RPS-4	4 - 6 H.P.	506	506	506	506
SUCTION LINE ACCUMULATOR - Must add SK option	ASK-3	1/2 - 2 HP	548†	548†	548†	548†
	ASK-4	2½ - 6 H.P.	846†	846†	846†	846†
OIL SEPARATOR 4-6 HP (Due to space limits, may not be available with ASK opt)	OS-4	4 - 6 H.P.	1,440	1,440	1,440	1,440
OVER-SIZED RECEIVER – Refers to Next Gen CU frame sizes FM1 through FM4. See product catalogue for details. Contact factory for Legacy model oversized receiver prices.	OSR-1	FM1	454	454	Contact Application Engineering for pricing this option	
	OSR-2	FM2	541	541		
	OSR-3	FM3	1,295	1,295		
	OSR-4	FM4	1,329	1,329		
SPRING MOUNT AND DISCHARGE VIBRASORBER - Semi-Hermetics only.	SPR-VB	1/2 - 3 H.P.	N/A	N/A	273	273
- Standard on 4 - 6 H.P. models		4 - 6 H.P.	N/A	N/A	NLA	NLA
LOW AMBIENT FLOODED HEAD PRESSURE CONTROL	FLD-SF	1/2 - 2 H.P.	STD.	N/A	STD.	395
	FLD-F	2½ - 3 H.P.	STD.	N/A	STD.	395
MILD AMBIENT FAN CYCLE	FC-1	WB all, GE 2 fan only	N/A	STD.	N/A	387
ADJUSTABLE LOW PRESSURE CONTROL (For medium temperature units)	ADJ-LP	1/2 - 6 H.P.	166	166	166	166
ADJUSTABLE HI/LOW PRESSURE CONTROL	204464041	1/2 - 6 H.P.	371	371	371	371
PUMPDOWN TOGGLE SWITCH	PDS	1/2 - 6 H.P.	349	349	349	349
AIR DEFROST TIMER ¹ (Electronic timer is standard. No additional charge to substitute mechanical timer. Specify at time of order.)	TMR ¹	1/2 - 6 H.P.	STD.	STD.	597	597
DEDUCT AIR DEFROST TIMER ¹	DEDUCT TMR ¹	2 1/2 - 6 H.P.	-576	-576	-576	N/A
SUBSTITUTE ED KIT (ED5 THRU ED10) FOR AIR DEFROST TIMER ²	REPLACE TMR ²	1 - 6 H.P. ²	123	123	N/A	N/A
ELEC. DEFR. TIMER WITH BLOCK-OUT RELAY 230/1 ^{††}	ED-5 THRU ED-10	1/2 - 6 H.P.	STD.*	STD.*	STD.*	719
* 2 EVAP ELEC. DEFR. TIMER WITHOUT BLOCK-OUT RELAY 230/1 ^{††}	ED-210-A2	1/2 - 6 H.P.	SPECIFY	SPECIFY	SPECIFY	719
ELECTRIC DEFROST TIMER WITH BLOCK-OUT AND CONTACTOR 230/3 ^{††}	ED-11-B2	1/2 - 6 H.P.	STD.*	STD.*	STD.*	719
DEDUCT STANDARD ELECTRIC DEFROST COMPONENTS		1/2 - 6 H.P.	-695	-695	-695	N/A
** 2 EVAP ELEC. DEFR. TMR WITH ONE 30 AMP DEFR. CONTACTOR 230/3 ^{††}	ED-211-B2	1/2 - 6 H.P.	SPECIFY	SPECIFY	SPECIFY	719
2 EVAP ELEC. DEFR. TMR WITH ONE 50 AMP DEFR. CONTACTOR 230/3 ^{††}	ED-213-B2	1/2 - 6 H.P.	799	799	799	1,395
2 EVAP. ELEC. DEFR. WITH SEQUENCING & B.O. RELAYS 230/1 ^{††}	ED-20-A2	4 - 6 H.P.	1,273	1,273	1,273	1,992
2 EVAP. ELEC. DEFR. WITH SEQ. & B.O. W/ CONTACTORS 230/3 ^{††}	ED-21-B2	4 - 6 H.P.	1,273	1,273	1,273	1,992
HEATED AND INSULATED RECEIVER	HIR	1/2 - 6 H.P.	742	742	742	742
PHASE LOSS MONITOR	PLM	1/2 - 6 H.P.	1,216	1,216	1,216	1,216
CRANKCASE PRESSURE REGULATING VALVE - (LOOSE ONLY)	CPR-1	1/2 - 6 H.P.	809	809	809	809
POLYESTER COATED CONDENSER FINS	PCF	1/2 - 3 H.P.	1,031	1,031	1,031	1,031
		4 - 6 H.P.	1,340	1,340	1,340	1,340
COPPER FINS OR ELECTRO FIN COATED COIL	CONTACT APPLICATION ENGINEERING FOR PRICING					
THRU THE DOOR NON - FUSED DISCONNECT SWITCH	TDNM-1	1/2 - 3 H.P.	522	522	522	522
	TDNM-2	4 - 6 H.P.	692	692	692	692
THRU THE DOOR FUSED DISCONNECT SWITCH	TDFM-1	1/2 - 3 H.P.	N/A	N/A	N/A	N/A
	TDFM-2	4 - 6 H.P.	1,419	1,419	1,419	1,419
EXTERNAL FUSED DISCONNECT (Mounted)	EFDM-1	1/2 - 3 H.P.	587	587	587	587
	EFDM-2	4 - 6 H.P.	1,080	1,080	1,080	1,080

FIELD INSTALLED OPTIONS

OPTIONS AND ACCESSORIES	OPTION NUMBER	H.P. RANGE	WF MODELS	WB MODELS	GL MODELS	GE MODELS
EXTERNAL FUSED DISCONNECT (LOOSE)	EFDL-2	4 - 6 H.P.	\$971	\$971	\$971	\$971
TWO TIERED STACKING RACK	08357263	1/2 - 3HP	10,683	10,683	C/F	C/F
	08357286	4 - 6 H.P.	10,683	10,683	C/F	C/F
SNOW / HAIL GUARDS (SHIPPED LOOSE)	SG-A	Config. A, FM1	398	398	398	398
	SG-B	Config. B, FM2	439	439	439	439
	SG-C	Config. C, FM3	475	475	475	475
	SG-D	Config. D, FM4	583	583	583	583

Negative numbers represent a price to be deducted from base price if a standard feature is removed.

¹ AIR DEFROST TIMER IS STANDARD ON 2-1/2 - 6 HP HIGH/MEDIUM TEMP GL MODELS AND STANDARD FOR ALL WF AND WB MED. TEMP. MODELS. WF UNITS ARE AVAILABLE WITHOUT TIMER OR DEFROST KIT - SEE NT MODEL PRICES ON PAGES 20-21.

² SUBSTITUTE ED KIT (ED5 THRU ED10) FOR AIR DEFROST TIMER. VALID FOR NEXT-GEN EXTENDED RANGE G-SERIES ONLY. APPLIES TO PRE-ASSEMBLY CODES L AND LT. SEE NOMENCLATURE ON PAGE 20.

[†] ELECTRIC DEFROST PROVISIONS (ED KIT) FOR ONE EVAP IS A STANDARD FEATURE ON LOW TEMPERATURE UNITS (ED Kits are optional for GE models). WF UNITS ARE AVAILABLE WITHOUT TIMER OR DEFROST KIT - SEE NT MODEL PRICES ON PAGES 20-21.

^{††} REFER TO THE APPROPRIATE EVAPORATOR PRODUCT BULLETIN TO IDENTIFY THE CORRECT E.D. KIT FOR YOUR REQUIREMENT.

NOTE: NOT ALL E.D. KITS FIT INTO ALL CONTROL PANELS. CONTACT APPLICATIONS ENGINEERING WITH QUESTIONS.

[†] MUST ADD SK OPTION TO ADD A SUCTION LINE ACCUMULATOR IF SK IS NOT ALREADY INCLUDED (See G-Series publication for details).

NEXT-GEN II AIR COOLED CONDENSING UNITS

3 H.P. THRU 22 H.P.

Standard Features (all models):

- Copeland Discus™, Copeland Scroll™ or Bitzer Semi-Hermetic Compressor
- All weather G90 galvanized steel painted enclosure
- Removable side panels for ease of service
- Generously sized high efficiency condenser, with enhanced copper tubes/and aluminum fins
- Liquid line kit with sealed filter/drier and sight glass with moisture indicator
- Easy access base mounted service valves placed external to cabinet
- Dual pressure (auto reset) controls with flexible Reflex® hoses
- Vertical receiver with isolation valves
- Refrigerant pressure relief valve (Larger models in FD2 and FD3 cabinets)
- Integral liquid subcooling circuit
- Suction line piping (filter optional)
- Heavy duty three phase condenser fan motor(s)
- Crankcase heater
- Control circuit fuses
- Pump down toggle switch
- Large electrical panel with hinged door
- 208-230V control voltage
- Color coded point-to-point wiring
- Fan cycling on WB models
- Liquid injection for low temp. Scroll compressors

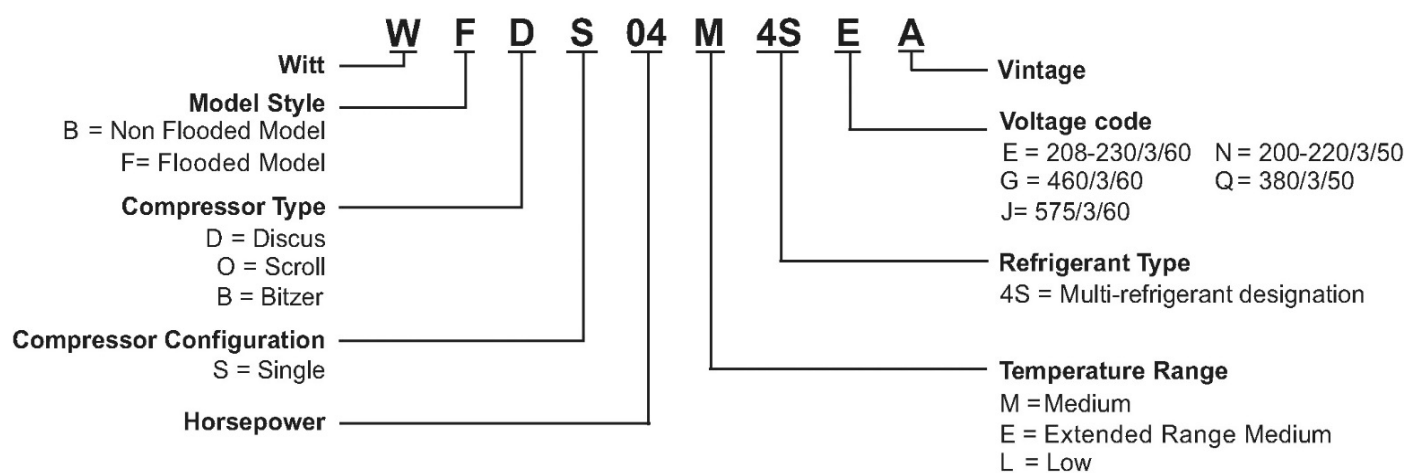


Unit is shown with optional components mounted

WF models also include a Flooded Head Pressure Control Valve (70°F) as a standard feature

Optional Features (all models):

- Electronic air defrost timer
- Electric defrost kits
- Mechanical timer in lieu of electronic timer
- 50 Hz timer and/or defrost kit
- Current sensing relay
- Thru the door Non-fused disconnect
- Suction line filter (sealed)
- Suction accumulator
- Replaceable core liquid filter with bypass
- Replaceable core suction filter with bypass
- External fused or non-fused disconnect - loose or mounted
- Refrigerant pressure relief valve (for models in FD1 cabinet)
- Liquid injection / Demand Cooling™ for low temp. Bitzer and Discus compressors
- Heated and insulated receiver (Temp controlled with low pressure bypass timer)
- Oil separator
- Oversized receiver
- Insulated receiver
- Hail / Snow Guard - shipped loose (only)
- 316 Grade stainless steel housing
- Crankcase pressure regulator



Temp Range	Compressor (Discus™)	H.P.	Model Number	WF Flooded Unit List Price	VOLTAGE	Model Number	WB Non Flooded List Price	4 Year Compressor Protection Plan	Approx. Ship Wt. (LBS)
Medium Temp Discus	2DC3R53K	04	WFDS04M4SEA	\$23,244	208/230/3/60	WBDS04M4SEA	\$21,747	\$489 NET	825
			WFDS04M4SGA	24,691	460/3/60	WBDS04M4SGA	23,166		
			WFDS04M4SJA	25,186	575/3/60	WBDS04M4SJA	23,653		
	2DD3R63K	05	WFDS05M4SEA	23,664	208/230/3/60	WBDS05M4SEA	22,157	489 NET	850
			WFDS05M4SGA	25,051	460/3/60	WBDS05M4SGA	23,519		
			WFDS05M4SJA	25,681	575/3/60	WBDS05M4SJA	24,137		
	2DL3R78K	06	WFDS06M4SEA	29,389	208/230/3/60	WBDS06M4SEA	27,775	592 NET	1,075
			WFDS06M4SGA	31,435	460/3/60	WBDS06M4SGA	29,783		
			WFDS06M4SJA	32,060	575/3/60	WBDS06M4SJA	30,397		
	2DA3R89K	07	WFDS07M4SEA	30,013	208/230/3/60	WBDS07M4SEA	28,387	600 NET	1,100
			WFDS07M4SGA	31,848	460/3/60	WBDS07M4SGA	30,188		
			WFDS07M4SJA	32,475	575/3/60	WBDS07M4SJA	30,803		
	3DA3R10M	08	WFDS08M4SEA	33,659	208/230/3/60	WBDS08M4SEA	31,965	600 NET	1,130
			WFDS08M4SGA	35,676	460/3/60	WBDS08M4SGA	33,942		
			WFDS08M4SJA	36,403	575/3/60	WBDS08M4SJA	34,656		
	3DB3R12M	10	WFDS10M4SEA	36,094	208/230/3/60	WBDS10M4SEA	34,353	776 NET	1,330
			WFDS10M4SGA	37,962	460/3/60	WBDS10M4SGA	36,186		
			WFDS10M4SJA	38,662	575/3/60	WBDS10M4SJA	36,872		
	3DF3R15M	12	WFDS12M4SEA	39,098	208/230/3/60	WBDS12M4SEA	37,300	932 NET	1,330
			WFDS12M4SGA	40,629	460/3/60	WBDS12M4SGA	38,802		
			WFDS12M4SJA	N/A	575/3/60	WBDS12M4SJA	N/A		
	3DS3R17M	15	WFDS15M4SEA	39,963	208/230/3/60	WBDS15M4SEA	38,908	1,202 NET	1,350
			WFDS15M4SGA	41,313	460/3/60	WBDS15M4SGA	40,256		
			WFDS15M4SJA	42,015	575/3/60	WBDS15M4SJA	40,958		

Voltage codes: E = 208-230/3/60, G = 460V/3/60, J = 575V/3/60

* See next page for condensing units with low temp Discus™ or Scroll™ compressors.

NEXT-GEN II AIR COOLED CONDENSING UNITS
3 H.P. THRU 22 H.P. - DISCUS™ and SCROLL™

Temperature Range	Compressor (Discus™)	H.P.	Model Number	WF Flooded List Price	VOLTAGE	Model Number	WB Non Flooded List Price	4 Year Compressor Protection Plan	Approx. Ship Wt. (LBS)
Low Temp Discus	2DF3F16K	03	WFDS03L4SEA	\$22,629	208/230/3/60	WBDS03L4SEA	\$21,571	\$329 NET	710
			WFDS03L4SGA	24,196	460/3/60	WBDS03L4SGA	23,139		
			WFDS03L4SJA	24,768	575/3/60	WBDS03L4SJA	23,712		
	2DL3F20K	04	WFDS04L4SEA	24,809	208/230/3/60	WBDS04L4SEA	23,751	489 NET	760
			WFDS04L4SGA	26,398	460/3/60	WBDS04L4SGA	25,341		
			WFDS04L4SJA	26,913	575/3/60	WBDS04L4SJA	25,856		
	2DA3F23K	05	WFDS05L4SEA	25,407	208/230/3/60	WBDS05L4SEA	24,350	489 NET	805
			WFDS05L4SGA	27,213	460/3/60	WBDS05L4SGA	26,157		
			WFDS05L4SJA	27,752	575/3/60	WBDS05L4SJA	26,696		
	3DA3F28K	06	WFDS06L4SEA	27,705	208/230/3/60	WBDS06L4SEA	26,649	592 NET	870
			WFDS06L4SGA	29,524	460/3/60	WBDS06L4SGA	28,469		
			WFDS06L4SJA	30,249	575/3/60	WBDS06L4SJA	29,192		
	3DB3F33K	08	WFDS08L4SEA	31,015	208/230/3/60	WBDS08L4SEA	29,958	600 NET	1,130
			WFDS08L4SGA	32,483	460/3/60	WBDS08L4SGA	31,427		
			WFDS08L4SJA	33,596	575/3/60	WBDS08L4SJA	32,539		
	3DF3F40K	09	WFDS09L4SEA	34,707	208/230/3/60	WBDS09L4SEA	33,651	776 NET	1,275
			WFDS09L4SGA	36,759	460/3/60	WBDS09L4SGA	35,701		
			WFDS09L4SJA	37,487	575/3/60	WBDS09L4SJA	36,429		
	3DS3F46K	10	WFDS10L4SEA	37,677	208/230/3/60	WBDS10L4SEA	36,620	884 NET	1,275
			WFDS10L4SGA	38,328	460/3/60	WBDS10L4SGA	37,271		
			WFDS10L4SJA	39,289	575/3/60	WBDS10L4SJA	38,231		
	4DBNF54K	12	WFDS12L4SEA	38,425	208/230/3/60	WBDS12L4SEA	37,369	932 NET	1,290
			WFDS12L4SGA	39,302	460/3/60	WBDS12L4SGA	38,245		
			WFDS12L4SJA	40,093	575/3/60	WBDS12L4SJA	39,035		
4DHNF63K	15	WFDS15L4SEA	40,385	208/230/3/60	WBDS15L4SEA	39,332	1,202 NET	1,310	
		WFDS15L4SGA	41,028	460/3/60	WBDS15L4SGA	39,972			
		WFDS15L4SJA	41,890	575/3/60	WBDS15L4SJA	40,833			
4DJNF76K	22	WFDS22L4SEA	45,770	208/230/3/60	WBDS22L4SEA	44,713	1,487 NET	1,420	
		WFDS22L4SGA	46,537	460/3/60	WBDS22L4SGA	45,480			
		WFDS22L4SJA	47,721	575/3/60	WBDS22L4SJA	46,665			

Temperature Range	Compressor (Scroll™)	H.P.	Model Number	WF Flooded LIST PRICE	VOLTAGE	Model Number	WB Non Flooded List Price	4 Year Compressor Protection Plan	Approx. Ship Wt. (LBS)
Medium Temp Scroll	ZS29KAE	04	WFOS04E4SEA	\$20,958	208/230/3/60	WBOS04E4SEA	\$19,902	\$284 NET	700
			WFOS04E4SGA	22,613	460/3/60	WBOS04E4SGA	21,557		
			WFOS04E4SJA	23,103	575/3/60	WBOS04E4SJA	22,046		
	ZS33KAE	05	WFOS05E4SEA	21,331	208/230/3/60	WBOS05E4SEA	20,274	284 NET	710
			WFOS05E4SGA	22,957	460/3/60	WBOS05E4SGA	21,901		
			WFOS05E4SJA	23,513	575/3/60	WBOS05E4SJA	22,455		
	ZS38K4E	06	WFOS06E4SEA	24,307	208/230/3/60	WBOS06E4SEA	23,250	292 NET	710
			WFOS06E4SGA	26,257	460/3/60	WBOS06E4SGA	25,199		
			WFOS06E4SJA	26,809	575/3/60	WBOS06E4SJA	25,753		
	ZS45K4E	07	WFOS07E4SEA	24,781	208/230/3/60	WBOS07E4SEA	23,724	482 NET	870
			WFOS07E4SGA	26,626	460/3/60	WBOS07E4SGA	25,570		
			WFOS07E4SJA	27,180	575/3/60	WBOS07E4SJA	26,123		
	ZB58K5E	08	WFOS08E4SEA	25,759	208/230/3/60	WBOS08E4SEA	24,215	482 NET	915
			WFOS08E4SGA	27,662	460/3/60	WBOS08E4SGA	26,081		
			WFOS08E4SJA	28,263	575/3/60	WBOS08E4SJA	26,671		
	ZB66K5E	09	WFOS09E4SEA	27,186	208/230/3/60	WBOS09E4SEA	25,615	522 NET	980
			WFOS09E4SGA	28,888	460/3/60	WBOS09E4SGA	27,284		
			WFOS09E4SJA	29,462	575/3/60	WBOS09E4SJA	27,847		
	ZB76K5E	10	WFOS10E4SEA	31,784	208/230/3/60	WBOS10E4SEA	30,124	522 NET	1,085
			WFOS10E4SGA	32,992	460/3/60	WBOS10E4SGA	31,309		
			WFOS10E4SJA	33,669	575/3/60	WBOS10E4SJA	31,974		
	ZB95K5E	13	WFOS13E4SEA	35,200	208/230/3/60	WBOS13E4SEA	33,477	602 NET	1,105
			WFOS13E4SGA	35,281	460/3/60	WBOS13E4SGA	33,556		
			WFOS13E4SJA	36,434	575/3/60	WBOS13E4SJA	34,687		
ZB114K5E	15	WFOS15E4SEA	39,303	208/230/3/60	WBOS15E4SEA	37,501	615 NET	1,200	
		WFOS15E4SGA	41,098	460/3/60	WBOS15E4SGA	39,262			
		WFOS15E4SJA	41,900	575/3/60	WBOS15E4SJA	40,048			

Low Temp Scroll	ZF25K4E	08	WFOS08L4SEA	\$23,881	208/230/3/60	WBOS08L4SEA	\$22,824	\$482 NET	850
			WFOS08L4SGA	25,293	460/3/60	WBOS08L4SGA	24,237		
			WFOS08L4SJA	25,788	575/3/60	WBOS08L4SJA	24,731		
	ZF34K5E	10	WFOS10L4SEA	29,642	208/230/3/60	WBOS10L4SEA	28,585	522 NET	1,025
			WFOS10L4SGA	31,385	460/3/60	WBOS10L4SGA	30,329		
			WFOS10L4SJA	32,029	575/3/60	WBOS10L4SJA	30,972		
	ZF41K5E	13	WFOS13L4SEA	33,503	208/230/3/60	WBOS13L4SEA	32,446	602 NET	1,050
			WFOS13L4SGA	34,076	460/3/60	WBOS13L4SGA	33,020		
			WFOS13L4SJA	35,005	575/3/60	WBOS13L4SJA	33,948		
	ZF49K5E	15	WFOS15L4SEA	34,616	208/230/3/60	WBOS15L4SEA	33,560	615 NET	1,105
			WFOS15L4SGA	35,397	460/3/60	WBOS15L4SGA	34,341		
			WFOS15L4SJA	36,105	575/3/60	WBOS15L4SJA	35,047		

Voltage codes: E = 208-230/3/60, G = 460V/3/60, J = 575V/3/60

Demand Cooling™ is optional for Low Temp. Discus compressors. It's required for non-R404A refrigerants.

* See next Page for Condensing units with Bitzer Compressors
 Liquid Injection is standard on Low Temp. Scroll compressors.

**NEXT-GEN II AIR COOLED CONDENSING UNITS
3 H.P. THRU 22 H.P. - BITZER**

Temperature Range	Compressor (Bitzer)	H.P.	Model Number	WF Flooded List Price	VOLTAGE	Model Number	WB Non Flooded List Price	4 Year Compressor Protection Plan	Approx. Ship Wt. (LBS)
Medium Temp Bitzer	2DES-3	03	WFBS03E4SEA	\$25,023	208/230/3/60	WBBS03E4SEA	\$23,966	\$489 NET	800
			WFBS03E4SGA	26,664	460/3/60	WBBS03E4SGA	25,607		
			WFBS03E4SJA	26,911	575/3/60	WBBS03E4SJA	25,854		
	2CES-4	04	WFBS04E4SEA	25,418	208/230/3/60	WBBS04E4SEA	24,360	489 NET	825
			WFBS04E4SGA	26,999	460/3/60	WBBS04E4SGA	25,942		
			WFBS04E4SJA	27,383	575/3/60	WBBS04E4SJA	26,325		
	4FES-5	05	WFBS05E4SEA	25,827	208/230/3/60	WBBS05E4SEA	24,772	489 NET	850
			WFBS05E4SGA	27,352	460/3/60	WBBS05E4SGA	26,295		
			WFBS05E4SJA	27,856	575/3/60	WBBS05E4SJA	26,799		
	4EES-6	06	WFBS06E4SEA	28,309	208/230/3/60	WBBS06E4SEA	27,253	592 NET	1,075
			WFBS06E4SGA	29,378	460/3/60	WBBS06E4SGA	28,321		
			WFBS06E4SJA	31,276	575/3/60	WBBS06E4SJA	30,219		
	4DES-7	07	WFBS07E4SEA	30,756	208/230/3/60	WBBS07E4SEA	29,700	600 NET	1,100
			WFBS07E4SGA	31,370	460/3/60	WBBS07E4SGA	30,313		
			WFBS07E4SJA	34,661	575/3/60	WBBS07E4SJA	33,604		
	4CES-9	08	WFBS08E4SEA	35,331	208/230/3/60	WBBS08E4SEA	33,604	600 NET	1,130
			WFBS08E4SGA	37,097	460/3/60	WBBS08E4SGA	35,337		
			WFBS08E4SJA	37,896	575/3/60	WBBS08E4SJA	36,119		
	4TES-12	10	WFBS10E4SEA	35,757	208/230/3/60	WBBS10E4SEA	34,021	776 NET	1,330
			WFBS10E4SGA	37,869	460/3/60	WBBS10E4SGA	36,094		
			WFBS10E4SJA	38,568	575/3/60	WBBS10E4SJA	36,781		
	4PES-15	12	WFBS12E4SEA	37,276	208/230/3/60	WBBS12E4SEA	35,513	932 NET	1,330
			WFBS12E4SGA	39,220	460/3/60	WBBS12E4SGA	37,420		
			WFBS12E4SJA	39,919	575/3/60	WBBS12E4SJA	38,106		
	4NES-20	15	WFBS15E4SEA	38,125	208/230/3/60	WBBS15E4SEA	36,345	1,202 NET	1,350
			WFBS15E4SGA	39,990	460/3/60	WBBS15E4SGA	38,176		
			WFBS15E4SJA	40,685	575/3/60	WBBS15E4SJA	38,857		

Low Temp Bitzer	4FES-3	03	WFBS03L4SEA	\$22,192	208/230/3/60	WBBS03L4SEA	\$21,136	\$302 NET	710
			WFBS03L4SGA	23,062	460/3/60	WBBS03L4SGA	22,005		
			WFBS03L4SJA	23,618	575/3/60	WBBS03L4SJA	22,561		
	4EES-4	04	WFBS04L4SEA	24,389	208/230/3/60	WBBS04L4SEA	23,332	302 NET	760
			WFBS04L4SGA	25,259	460/3/60	WBBS04L4SGA	24,201		
			WFBS04L4SJA	25,815	575/3/60	WBBS04L4SJA	24,758		
	4DES-5	05	WFBS05L4SEA	25,627	208/230/3/60	WBBS05L4SEA	24,570	335 NET	805
			WFBS05L4SGA	26,587	460/3/60	WBBS05L4SGA	25,530		
			WFBS05L4SJA	27,125	575/3/60	WBBS05L4SJA	26,068		
	4CES-6	06	WFBS06L4SEA	30,702	208/230/3/60	WBBS06L4SEA	29,646	349 NET	870
			WFBS06L4SGA	31,947	460/3/60	WBBS06L4SGA	30,891		
			WFBS06L4SJA	32,315	575/3/60	WBBS06L4SJA	31,257		
	4TES-9	08	WFBS08L4SEA	32,840	208/230/3/60	WBBS08L4SEA	31,783	349 NET	1,130
			WFBS08L4SGA	34,035	460/3/60	WBBS08L4SGA	32,979		
			WFBS08L4SJA	34,513	575/3/60	WBBS08L4SJA	33,456		
	4PES-12	09	WFBS09L4SEA	35,160	208/230/3/60	WBBS09L4SEA	34,103	349 NET	1,275
			WFBS09L4SGA	36,289	460/3/60	WBBS09L4SGA	35,232		
			WFBS09L4SJA	37,350	575/3/60	WBBS09L4SJA	36,292		
	4NES-14	10	WFBS10L4SEA	37,514	208/230/3/60	WBBS10L4SEA	36,458	349 NET	1,275
			WFBS10L4SGA	38,644	460/3/60	WBBS10L4SGA	37,586		
			WFBS10L4SJA	39,704	575/3/60	WBBS10L4SJA	38,647		
	4JE-15	12	WFBS12L4SEA	40,435	208/230/3/60	WBBS12L4SEA	39,378	473 NET	1,290
			WFBS12L4SGA	41,564	460/3/60	WBBS12L4SGA	40,508		
			WFBS12L4SJA	42,624	575/3/60	WBBS12L4SJA	41,568		
	4HE-18	15	WFBS15L4SEA	43,423	208/230/3/60	WBBS15L4SEA	42,366	587 NET	1,310
			WFBS15L4SGA	44,549	460/3/60	WBBS15L4SGA	43,492		
			WFBS15L4SJA	45,612	575/3/60	WBBS15L4SJA	44,555		
4GE-23	22	WFBS22L4SEA	44,549	208/230/3/60	WBBS22L4SEA	41,234	668 NET	1,420	
		WFBS22L4SGA	46,194	460/3/60	WBBS22L4SGA	45,137			
		WFBS22L4SJA	47,258	575/3/60	WBBS22L4SJA	46,201			

Voltage codes: E = 208-230/3/60, G = 460V/3/60, J = 575V/3/60

Liquid Injection is optional on Low Temp. Bitzer compressors. It's required for non-R404A refrigerants.

3 THRU 22 H.P. CONDENSING UNITS - FACTORY INSTALLED DEFROST KITS

1 EVAPORATOR PER CU	Max Defrost Load	List Price
DMA15	15	\$1,370
DMA20	20	
DMA24	24	
DMA30	30	
DMA35	35	1,530
DMA40	40	
DMA48	48	
DMB60	60	2,985
DMB96	96	

2 EVAPS PER CU	Max Defrost Load	List Price
DMB35	35	\$2,985
DMB40	40	
DMB48	48	
DMB60	60	2,885
DMB96	96	

3 EVAPS PER CU	Max Defrost Load	List Price
DMC35	35	\$3,122
DMC40	40	
DMC48	48	
DMC60	60	3,860
DMC96	96	

Note: All electric defrost kits include 1 fan contactor and are suitable for single or three phase loads. Defrost amp values are the maximum load for a kit. Smaller loads may be attached.

3 THRU 22 H.P. CONDENSING UNITS - FACTORY INSTALLED OPTIONS

All options are factory mounted unless otherwise noted.	OPTION NUMBER	H.P. RANGE	LIST PRICE [†]
Electrical options			
THROUGH THE DOOR NON-FUSED DISCONNECT SWITCH	TDNM-3	3-10	\$1,670
	TDNM-4	12-22	1,867
EXTERNAL FUSED DISCONNECT - Loose or Mounted	EFDM-2 (230V)	3 - 6	1,080
	EFDM-3 (230V)	7 - 10	1,285
	EFDM-4 (230V)	12 - 22	2,741
	EFDM-2 (460V)	3 - 6	1,269
	EFDM-3 (460V)	7 - 10	2,284
MAIN CIRCUIT BREAKER	BKR-2	3 - 6	1,543
	BKR-3	7 - 10	1,943
	BKR-4	12 - 22	2,445
[†] PHASE LOSS MONITOR	PLM	ALL	1,215
ANTI SHORT CYCLE TIMER	ASC	ALL	718
AIR DEFROST TIMER	TMR	ALL	597
CURRENT SENSING RELAY (Run proof)	CSR	All	796
COMPRESSOR UNLOADERS (Suction pressure control. Medium Temp reciprocating compressors only. 1 Step for 3D and larger compressors.)	UNL-1	When Available	2,234

See Page 25 For Defrost Component Prices

Mechanical options			
SUCTION LINE FILTER (Sealed)	SK-5	3 - 8	\$524
	SK-6	9 - 10	888
	SK-7	12 - 22	1,417
REPLACEABLE CORE SUCTION FILTER (With Bypass)	RSK-5	3 - 8	1,178
	RSK-6	9 - 10	1,507
	RSK-7	12 - 22	2,125
REPLACEABLE CORE LIQUID FILTER (With Bypass)	RLK-5	3 - 8	1,236
	RLK-6	9 - 10	1,542
	RLK-7	12 - 22	2,231
SUCTION LINE ACCUMULATOR (Must add Suction line filter option.)	ASK-4	3 - 8	846
	ASK-5	9 - 10	1,243
	ASK-6	12 - 22	2,596
OIL SEPARATOR	OS-1	3 - 6	1,440
	OS-2	7 - 10	1,533
	OS-3	12 - 22	1,802
OVERSIZED RECEIVERS	OSR-1	1 FAN	1,271
	OSR-2	2 FAN	712
	OSR-3	2 FAN TALL	719
PRESSURE RELIEF VALVE (For models built on FD1 cabinet base. Requires Oversized Receiver OSR-1 option)	RV	FD1 Cabinet	322
HEATED AND INSULATED RECEIVER (Temperature controlled with low pressure bypass timer)	HIR	ALL	836
CRANKCASE PRESSURE REGULATOR (Do not use with MOP style TXV's. Must provide refrigerant type, holding temperature, suction temperature, and maximum design capacity.)	CPR VALVE	3 - 5	1,657
		6 - 9	1,837
		10 - 15	3,422
		22	5,356
LIQUID INJECTION / DEMAND COOLING™ (Low Temp. Bitzer and Discus compressors ¹)	LNJ	ALL	2,711
HAIL / SNOW GUARDS (Shipped loose to prevent shipping damage. Requires field installation)	SG-E	1 FAN	1,005
	SG-F	2 FAN	1,374
	SG-G	2 FAN TALL	1,539
2 UNIT STACKING RACK (Shipped empty. Condensing units must be field installed.)	SR-2	1 or 2 FAN	C/A
3 UNIT STACKING RACK (Shipped empty. Condensing units must be field installed.)	SR-3	1 or 2 FAN	C/A

C/A = Contact Application Engineering for a special quote on options not found in the price list.

[†] Phase Loss monitor is a standard feature for K5 Scroll Series CoreSense modules. Extended Range models *OS8E4S thru OS15E4s and Low Temp OS10L4L thru *OS15L4S use K5 Series Scroll compressors.

¹ Liquid Injection is standard on Low Temp. Scroll compressors. Liquid Injection/ Demand Cooling™ is optional for Low Temp. Bitzer and Discus compressors. It's required for non-R404A refrigerants.

QV-SERIES AIR COOLED CONDENSING UNITS

15 THRU 100 H.P.



Standard Features (all models)

- Copeland Discus or Bitzer compressors
- Available in single, dual or parallel compressor configurations
- Prepaint gray exterior/ G60 galvanized steel outdoor cabinet construction
- Heavy gauge G90 galvanized steel frame
- Award-winning floating coil design with generously sized condensers for energy savings
- Integral subcooling circuit boosts energy efficiency
- Mechanically formed pre-bent tubing reduces potential leaks
- Compatible with multiple refrigerants
- Optimized for high glide refrigerants
- Separate power and control electrical panels
- Swept wing fan/Venturi improves airflow and sound
- Hinged and removable access panels
- Flip top hinged Venturi panels for easy servicing
- Floored compressor cabinet with removable compressor tray
- Color-coded control wiring diagram with diagnostic terminals/ color-coded high and low pressure hoses
- LED control and compressor panel lighting
- 110V service convenience outlet
- Service gauge hooks
- 3 Phase condenser fan motors
- Electronic oil failure control
- Horizontal receiver
- Receiver isolation valves
- Refrigerant relief valve
- Replaceable core liquid line filter
- Suction line and discharge line vibrasorbers
- Liquid line isolation valve with sight glass
- Single point alarm with liquid line solenoid lockout
- Control circuit and condenser fan fusing
- Condenser fan contactors
- UL and cUL listed for outdoor use

Flooded (WF) Models include an adjustable head pressure control valve

Non-Flooded (WB) Models include electronic fan cycling control and a minimum charge monitor

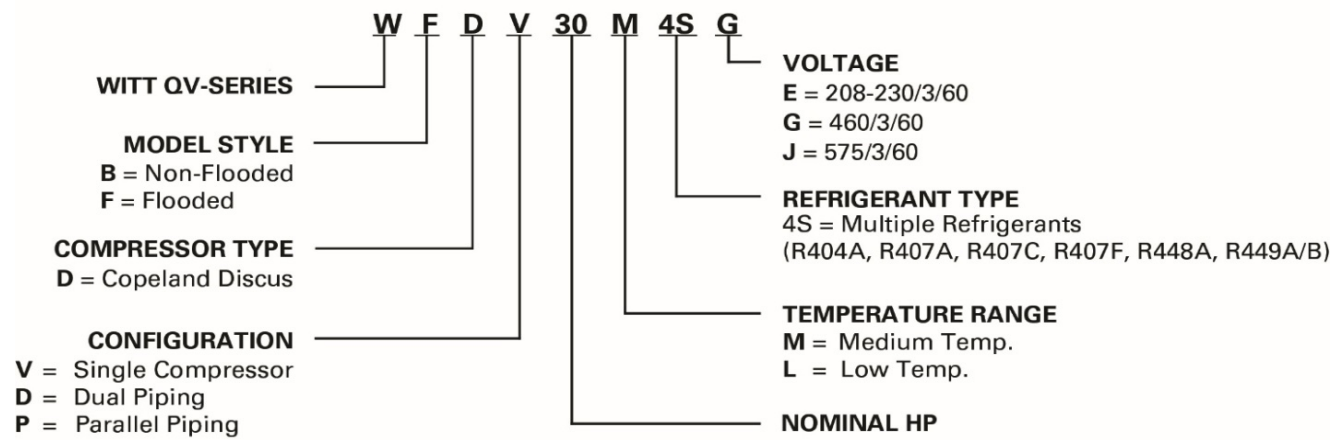
Parallel Compressor Models (WF*P/ WB*P) include an oil management system

Options

- EC fan motors for variable speed
- Air defrost timer or electric defrost components
- Electric defrost kits available for up to 4 evaporators
- Oversized receiver
- ElectroFin[®], polyester coated fins or Bronz-Glow coil coating
- Liquid injection on low temp. compressors
- Heated and insulated receiver
- Oil separator with check valve
- Fan cycling control (WF models)
- Suction accumulator
- Liquid filter isolation valve
- Liquid Line Solenoid Valve (Shipped loose)
- Suction isolation valve
- Suction filter isolation valve
- Replaceable core suction filter
- Crankcase pressure regulator
- Hot gas bypass (Discharge tee, regulator or ball valve)
- Heat reclaim (Sporlan 3 way valve)
- Thru-the-door non-fused disconnect switch
- Thru-the-door fused disconnect (200 amp Max)
- Thru-the-door breaker disconnect (200 amp Max)
- Phase loss monitor
- Anti short cycle timer
- Compressor Unloading

QV-SERIES AIR COOLED CONDENSING UNITS - Discus Compressor Models

MODEL NUMBER NOMENCLATURE



NOMINAL COMPRESSOR HP		
SINGLE COMP.	DUAL PIPING	PARALLEL PIPING
15 HP	30 (2) 15 HP	-
20 HP	40 (2) 20 HP	-
22 HP	44 (2) 22 HP	44 (2) 22 HP
25 HP	50 (2) 25 HP	50 (2) 25 HP
27 HP	54 (2) 27 HP	54 (2) 27 HP
30 HP	60 (2) 30 HP	60 (2) 30 HP
35 HP	70 (2) 35 HP	70 (2) 35 HP
40 HP	80 (2) 40 HP	80 (2) 40 HP
50 HP	100 (2) 50 HP	100 (2) 50 HP

QV-SERIES • SINGLE DISCUS COMPRESSOR MODELS

TEMP. RANGE	NOM H.P.	MODEL NUMBER	COMPRESSOR NUMBER (1 Compressor)	FLOODED MODELS (WF)			NON-FLOODED MODELS (WB)			4 Year Compressor Protection Plan (NET PRICE)
				208-230V/3	460V/3	575V/3	208-230V/3	460V/3	575V/3	
Medium Temp.	15	W*DV015M4S	3DS3R17ME	\$45,136	\$45,875	\$46,982	\$44,863	\$45,627	\$46,458	\$1,202
	20	W*DV020M4S	4DBNR20ME	49,956	50,661	51,554	48,894	49,894	51,013	1,487
	25	W*DV025M4S	4DHNR22ME	59,654	60,308	61,549	58,442	59,452	60,564	1,662
	30	W*DV030M4S	4DJNR28ME	69,726	70,486	72,011	65,949	66,767	67,915	1,782
	35	W*DV035M4S	6DHNR35ME	78,968	79,420	81,259	76,054	76,262	77,878	1,877
	40	W*DV040M4S	6DJNR40ME ¹	86,903	88,110	89,544	83,547	84,772	86,563	1,960
Low Temp.	50	W*DV050M4S	6DUNR49ME	N/A	105,187	N/A	N/A	99,895	N/A	2,218
	22	W*DV022L4S	4DJNF76KE	56,116	57,297	58,483	56,107	56,816	58,064	1,487
	27	W*DV027L4S	6DHNF93KE	64,957	65,475	66,611	63,699	64,848	65,629	1,662
	30	W*DV030L4S	6DJNF11ME	71,766	72,427	73,906	70,287	71,463	73,017	1,782
40	W*DV040L4S	6DUNF13ME	N/A	90,183	N/A	N/A	88,710	N/A	2,146	

QV-SERIES • DUAL DISCUS COMPRESSOR MODELS

TEMP. RANGE	NOM H.P.	MODEL NUMBER	COMPRESSOR NUMBER (2 Compressor)	FLOODED MODELS (WF)			NON-FLOODED MODELS (WB)			4 Year Compressor Protection Plan (NET PRICE)
				208-230V/3	460V/3	575V/3	208-230V/3	460V/3	575V/3	
Medium Temp.	30	W*DD030M4S	3DS3R17ME	\$90,274	\$91,751	\$93,964	\$89,726	\$91,253	\$92,917	\$2,402
	40	W*DD040M4S	4DBNR20ME	99,914	101,321	103,109	97,789	99,788	102,025	2,976
	50	W*DD050M4S	4DHNR22ME	119,309	120,617	123,099	116,885	118,906	121,127	3,324
	60	W*DD060M4S	4DJNR28ME	139,452	140,972	144,022	131,897	133,534	135,829	3,565
	70	W*DD070M4S	6DHNR35ME	157,936	158,840	162,517	152,108	152,524	155,755	3,755
	80	W*DD080M4S	6DJNR40ME ¹	173,807	176,219	179,087	167,094	169,543	173,127	3,921
Low Temp.	100	W*DD100M4S	6DUNR49ME	N/A	210,374	N/A	N/A	199,790	N/A	4,437
	44	W*DD044L4S	4DJNF76KE	112,232	114,593	116,966	112,215	113,634	116,126	2,976
	54	W*DD054L4S	6DHNF93KE	129,913	130,950	133,222	127,398	129,696	131,259	3,324
	60	W*DD060L4S	6DJNF11ME	143,532	144,855	147,814	140,574	142,924	146,035	3,565
80	W*DD080L4S	6DUNF13ME	N/A	180,366	N/A	N/A	177,419	N/A	4,290	

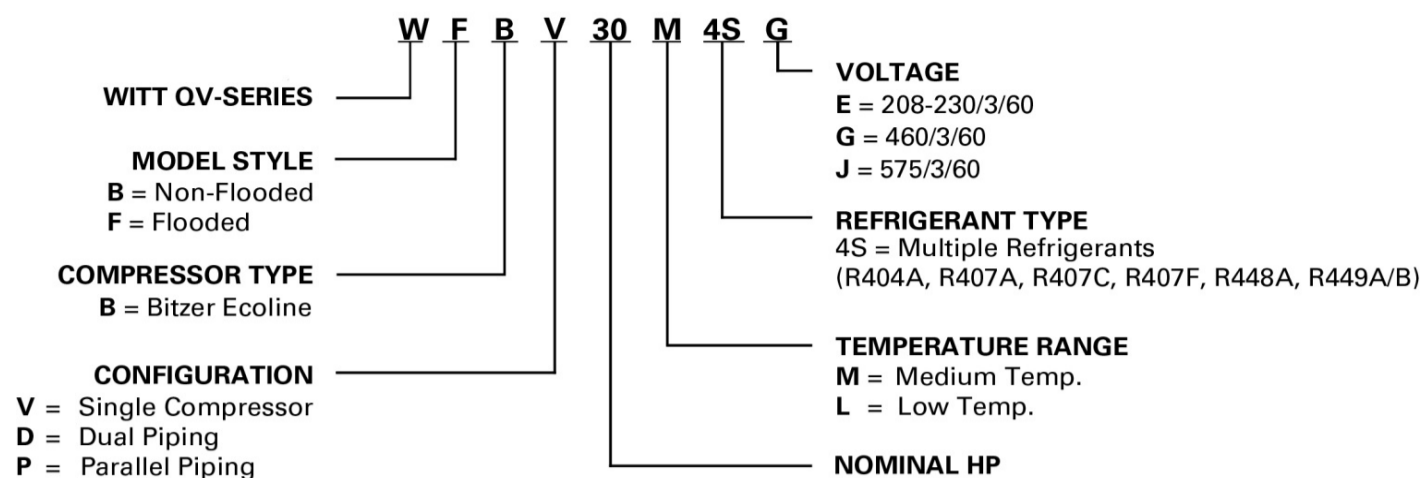
QV-SERIES • PARALLEL PIPED DISCUS COMPRESSOR MODELS

TEMP. RANGE	NOM H.P.	MODEL NUMBER	COMPRESSOR NUMBER (2 Compressor)	FLOODED MODELS (WF)			NON-FLOODED MODELS (WB)			4 Year Compressor Protection Plan (NET PRICE)
				208-230V/3	460V/3	575V/3	208-230V/3	460V/3	575V/3	
Medium Temp.	50	W*DP050M4S	4DHNR22ME	\$134,065	\$135,212	\$137,916	\$131,285	\$133,266	\$135,671	\$3,324
	60	W*DP060M4S	4DJNR28ME	152,960	154,350	157,437	144,199	145,752	147,941	3,565
	70	W*DP070M4S	6DHNR35ME	171,980	172,753	176,208	165,391	165,599	168,558	3,755
	80	W*DP080M4S	6DJNR40ME ¹	186,536	189,443	193,231	179,043	181,984	186,577	3,921
	100	W*DP100M4S	6DUNR49ME	N/A	233,515	N/A	N/A	221,145	N/A	4,437
Low Temp.	44	W*DP044L4S	4DJNF76KE	127,310	129,648	132,242	127,291	128,553	131,286	2,976
	54	W*DP054L4S	6DHNF93KE	144,021	144,877	147,774	141,178	143,476	145,564	3,324
	60	W*DP060L4S	6DJNF11ME	156,744	157,920	161,078	153,445	155,786	159,117	3,565
	80	W*DP080L4S	6DUNF13ME	N/A	200,206	N/A	N/A	196,880	N/A	4,290

¹6DJNR40ME on 575/3

QV-SERIES AIR COOLED CONDENSING UNITS - Bitzer Compressors

MODEL NUMBER NOMENCLATURE



NOMINAL COMPRESSOR HP		
SINGLE COMP.	DUAL PIPING	PARALLEL PIPING
15 HP	30 (2) 15 HP	-
20 HP	40 (2) 20 HP	-
22 HP	44 (2) 22 HP	44 (2) 22 HP
25 HP	50 (2) 25 HP	50 (2) 25 HP
27 HP	54 (2) 27 HP	54 (2) 27 HP
30 HP	60 (2) 30 HP	60 (2) 30 HP
35 HP	70 (2) 35 HP	70 (2) 35 HP
40 HP	80 (2) 40 HP	80 (2) 40 HP
50 HP	100 (2) 50 HP	100 (2) 50 HP

QV-SERIES • SINGLE BITZER COMPRESSOR MODELS

TEMP. RANGE	NOM H.P.	MODEL NUMBER	COMPRESSOR NUMBER (1 Compressor)	FLOODED MODELS (KF)			NON-FLOODED MODELS (KB)			4 Year Compressor Protection Plan (NET PRICE)
				208-230V/3	460V/3	575V/3	208-230V/3	460V/3	575V/3	
Medium Temp.	15	W*BV015M4S*	4NE-20	\$45,136	\$45,875	46,982	\$44,863	\$45,627	\$46,458	\$1,202
	20	W*BV020M4S*	4JE-22	49,956	50,661	51,554	48,894	49,894	51,013	1,487
	25	W*BV025M4S*	4HE-25	59,654	60,308	61,549	58,442	59,452	60,564	1,662
	30	W*BV030M4S*	4GE-30	69,726	70,486	72,011	65,949	66,767	67,915	1,782
	35	W*BV035M4S*	6HE-35	78,968	79,420	81,259	76,054	76,262	77,878	1,877
	40	W*BV040M4S*	6GE-40	86,903	88,110	89,544	83,547	84,772	86,563	1,960
Low Temp.	50	W*BV050M4S*	6FE-50	N/A	105,187	N/A	N/A	99,895	N/A	2,218
	22	W*BV022L4S*	4GE-23	56,116	57,297	58,483	56,107	56,816	58,064	1,487
	27	W*BV027L4S*	6HE-28	64,957	65,475	66,611	63,699	64,848	65,629	1,662
	30	W*BV030L4S*	6GE-34	71,766	72,427	73,906	70,287	71,463	73,017	1,782
40	W*BV040L4S*	6FE-44	N/A	90,183	N/A	N/A	88,710	N/A	2,146	

QV-SERIES • DUAL BITZER COMPRESSOR MODELS

TEMP. RANGE	NOM H.P.	MODEL NUMBER	COMPRESSOR NUMBER (2 Compressors)	FLOODED MODELS (KF)			NON-FLOODED MODELS (KB)			4 Year Compressor Protection Plan (NET PRICE)
				208-230V/3	460V/3	575V/3	208-230V/3	460V/3	575V/3	
Medium Temp.	30	W*BD030M4S*	4NE-20	\$90,274	\$91,751	\$93,964	\$89,726	\$91,253	\$92,917	\$2,402
	40	W*BD040M4S*	4JE-22	99,914	101,321	103,109	97,789	99,788	102,025	2,976
	50	W*BD050M4S*	4HE-25	119,309	120,617	123,099	116,885	118,906	121,127	3,324
	60	W*BD060M4S*	4GE-30	139,452	140,972	144,022	131,897	133,534	135,829	3,565
	70	W*BD070M4S*	6HE-35	157,936	158,840	162,517	152,108	152,524	155,755	3,755
	80	W*BD080M4S*	6GE-40	173,807	176,219	179,087	167,094	169,543	173,127	3,921
	100	W*BD100M4S*	6FE-50	N/A	210,374	N/A	N/A	199,790	N/A	4,437
Low Temp.	44	W*BD044L4S*	4GE-23	112,232	114,593	116,966	112,215	113,634	116,126	2,976
	54	W*BD054L4S*	6HE-28	129,913	130,950	133,222	127,398	129,696	131,259	3,324
	60	W*BD060L4S*	6GE-34	143,532	144,855	147,814	140,574	142,924	146,035	3,565
	80	W*BD080L4S*	6FE-44	N/A	180,366	N/A	N/A	177,419	N/A	4,290

QV-SERIES • PARALLEL PIPED BITZER COMPRESSOR MODELS

TEMP. RANGE	NOM H.P.	MODEL NUMBER	COMPRESSOR NUMBER (2 Compressors)	FLOODED MODELS (KF)			NON-FLOODED MODELS (KB)			4 Year Compressor Protection Plan (NET PRICE)
				208-230V/3	460V/3	575V/3	208-230V/3	460V/3	575V/3	
Medium Temp.	50	W*BP050M4S	4HE-25	\$134,065	\$135,212	\$137,916	\$131,285	\$133,266	\$135,671	\$3,324
	60	W*BP060M4S	4GE-30	152,960	154,350	157,437	144,199	145,752	147,941	3,565
	70	W*BP070M4S	6HE-35	171,980	172,753	176,208	165,391	165,599	168,558	3,755
	80	W*BP080M4S	6GE-40	186,536	189,443	193,231	179,043	181,984	186,577	3,921
	100	W*BP100M4S	6FE-50	N/A	233,515	N/A	N/A	221,145	N/A	4,437
Low Temp.	44	W*BP044L4S	4GE-23	127,310	129,648	132,242	127,291	128,553	131,286	2,976
	54	W*BP054L4S	6HE-28	144,021	144,877	147,774	141,178	143,476	145,564	3,324
	60	W*BP060L4S	6GE-34	156,744	157,920	161,078	153,445	155,786	159,117	3,565
	80	W*BP080L4S	6FE-44	N/A	200,206	N/A	N/A	196,880	N/A	4,290

QV-SERIES AIR COOLED CONDENSING UNITS • OPTIONS AND ACCESSORIES

QV-SERIES • SINGLE COMPRESSOR MODEL OPTIONS

All options are factory mounted unless otherwise noted.

OPTION FAMILY	OPTION NAME	OPTION AVAILABLE ON MODELS:	LIST PRICE
Compressor Options	Compressor Unloading with Pressure Control for 1 Cycle Bank	BV015M, 020M-30M, 050M; 022L - 040L	\$2,238
	Compressor Unloading with Pressure Control for 2 Cycle Bank	035M & 045M	3,222
	Compressor Unloading: Moduload	DV015M	4,392
	Head Cooling Fan	All Models	1,853
	Liquid Injection	022L - 040L	4,068
Electrical and Control Panel Options	Air Defrost Time Clock	All Medium Temperature Models	597
	Anti-Short Cycle Timer	All Models	516
	Condenser Fan Breaker	015M -030M; 022L - 040L	780
	Condenser Fan Breaker	035M -050M	1,184
	Control Circuit Breaker	All Models	254
	EC Fan Motors with Electronic Variable Speed Control	015M -030M; 022L - 040L	Call Factory
	EC Fan Motors with Electronic Variable Speed Control	035M -050M	Call Factory
	Thru-the-door Fused Disconnect	Models with MOPD < 61A	1,576
	Thru-the-door Fused Disconnect	Models with 61A < MOPD < 101A	2,333
	Thru-the-door Fused Disconnect	Models with 101A < MOPD < 201A	3,997
	Thru-the-door Main Breaker	Models with MOPD ≤ 100A	2,014
	Thru-the-door Main Breaker	Models with 101A < MOPD < 201A	3,267
	Thru-the-door Non-Fused Disconnect	Models with MCA < 59A	1,419
	Thru-the-door Non-Fused Disconnect	Models with 59A < MCA > 99A	2,060
	Thru-the-door Non-Fused Disconnect	Models with 99A < MCA < 199A	3,406
	Phase-Loss Monitor - 250A	230V & 460V	996
	Phase-Loss Monitor - ICM450	230V	1,453
	Phase-Loss Monitor - ICM450	460V	1,033
Refrigeration Options	Crankcase Pressure Regulator Valves	015M	3,498
	Crankcase Pressure Regulator Valves	020M - 040M; 022L - 030L	4,406
	Crankcase Pressure Regulator Valves	050M & 040L	8,742
	Fan Cycling - Temperature or Pressure	All Flooded Models; Standard on Non-Flooded Models	1,571
	Heat Reclaim Valve	All Models	3,637
	Heated & Insulated Receiver	All Models	2,766
	Hot Gas Bypass Tee & Ball Valve	All Models	853
	Hot Gas Bypass Tee, Ball Valve & Regulator	All Models	4,943
	Liquid-line Filter Isolation Valve (Single Valve)	All Models	492
	Liquid Line Solenoid Valve (Shipped loose)	015M - 025M; 022L - 040L	600
	Liquid Line Solenoid Valve (Shipped loose)	030M - 035M	766
	Liquid Line Solenoid Valve (Shipped loose)	040M - 050M	1,159
	Oil Separator with Check Valve	015 - 030	1,999
	Oil Separator with Check Valve	035 - 050	3,559
	Oil Separator with Check Valve & Oil Return Service Kit	015 - 030	3,752
	Oil Separator with Check Valve & Oil Return Service Kit	035 - 050	5,313
	Oversized Receiver	All Models	1,177
	Receiver Level Gauge	All Models	1,460
	Suction Accumulator - Standard	015	2,637
	Suction Accumulator - Standard	020-050	3,049
	Suction Accumulator - Heat Exchanger	015	3,267
	Suction Accumulator - Heat Exchanger	020-050	5,059
	Suction-line Filter - Replaceable Core	015M	1,151
	Suction-line Filter - Replaceable Core	020M - 040M; 022L - 030L	1,435
	Suction-line Filter - Replaceable Core	050M & 040L	1,490
	Suction-line Filter Isolation Valves	015M	807
	Suction-line Filter Isolation Valves	020M - 040M; 022L - 030L	1,299
	Suction-line Filter Isolation Valves	050M & 040L	2,260
	Suction-line Insulation	All Models	1,430

QV-SERIES AIR COOLED CONDENSING UNITS • OPTIONS AND ACCESSORIES

QV-SERIES • DUAL COMPRESSOR MODEL OPTIONS

All options are factory mounted unless otherwise noted.

OPTION FAMILY	OPTION NAME	OPTION AVAILABLE ON MODELS:	LIST PRICE
Compressor Options	Compressor Unloading with Pressure Control for 1 Cycle Bank	BD030M, D040M - D060M, D100M; D044L - D080L	\$4,475
	Compressor Unloading with Pressure Control for 2 Cycle Bank	D070M & D080M	6,443
	Compressor Unloading: Moduload	DD030M	8,783
	Head Cooling Fan	All Models	3,705
	Liquid Injection	D044L - D080L	8,135
Electrical and Control Panel Options	Air Defrost Time Clock	All Medium Temperature Models	1,192
	Anti-Short Cycle Timer	All Models	1,033
	Condenser Fan Breaker	D030M -D060M; D044L - D080L	1,561
	Condenser Fan Breaker	D070M -D100M	2,368
	Control Circuit Breaker	All Models	254
	EC Fan Motors with Electronic Variable Speed Control	D030M -D060M; D044L - D080L	Call Factory
	EC Fan Motors with Electronic Variable Speed Control	D070M -D100M	Call Factory
	Fused Disconnect	Models with MOPD < 61A	1,576
	Thru-the-door Fused Disconnect	Models with 61A < MOPD < 101A	2,333
	Thru-the-door Fused Disconnect	Models with 101A < MOPD < 201A	3,997
	Thru-the-door Fused Disconnect	Models with MOPD ≤ 100A	2,014
	Thru-the-door Main Breaker	Models with 101A < MOPD < 201A	3,267
	Thru-the-door Main Breaker	Models with MCA < 59A	1,419
	Thru-the-door Non-Fused Disconnect	Models with 59A < MCA > 99A	2,060
	Thru-the-door Non-Fused Disconnect	Models with 99A < MCA < 199A	3,406
	Thru-the-door Non-Fused Disconnect	230V & 460V	996
	Phase-Loss Monitor - ICM450	460V	2,067
Refrigeration Options	Crankcase Pressure Regulator Valves	D030M	6,997
	Crankcase Pressure Regulator Valves	D040M - D080M; D044L - D060L	8,811
	Crankcase Pressure Regulator Valves	D100M & D080L	17,483
	Fan Cycling - Temperature or Pressure	All Flooded Models; Standard on Non-Flooded Models	3,143
	Heat Reclaim Valve	All Models	7,274
	Heated & Insulated Receiver	All Models	5,531
	Hot Gas Bypass Tee & Ball Valve	All Models	1,705
	Hot Gas Bypass Tee, Ball Valve & Regulator	All Models	9,885
	Liquid-line Filter Isolation Valve (Single Valve per Circuit)	All Models	984
	Liquid Line Solenoid Valve (Shipped loose)	030M - 050M; 044L - 080L	1,097
	Liquid Line Solenoid Valve (Shipped loose)	060M - 070M	1,532
	Liquid Line Solenoid Valve (Shipped loose)	080M - 100M	2,318
	Oil Separator with Check Valve	D030 - D060	3,998
	Oil Separator with Check Valve	D070 - D100	7,120
	Oil Separator with Check Valve & Oil Return Service Kit	D030 - D060	7,505
	Oil Separator with Check Valve & Oil Return Service Kit	D070 - D100	10,626
	Oversized Receiver	All Models	2,353
	Receiver Level Gauge	All Models	2,922
	Suction Accumulator - Standard	D030	5,274
	Suction Accumulator - Standard	D040-D100	6,099
	Suction Accumulator - Heat Exchanger	D030	6,536
	Suction Accumulator - Heat Exchanger	D040-D100	10,118
	Suction-line Filter - Replaceable Core	D030M	2,302
	Suction-line Filter - Replaceable Core	D040M - D080M; D044L - D060L	2,870
	Suction-line Filter - Replaceable Core	D100M & D080L	2,982
	Suction-line Filter Isolation Valves	D030M	1,615
	Suction-line Filter Isolation Valves	D040M - D080M; D044L - D060L	2,599
	Suction-line Filter Isolation Valves	D100M & D080L	4,521
	Suction-line Insulation	All Models	2,861

QV-SERIES AIR COOLED CONDENSING UNITS • OPTIONS AND ACCESSORIES

QV-SERIES • PARALLEL COMPRESSOR MODEL OPTIONS

All options are factory mounted unless otherwise noted.

OPTION FAMILY	OPTION NAME	OPTION AVAILABLE ON MODELS:	LIST PRICE
Compressor Options	Compressor Unloading with Pressure Control for 1 Cycle Bank	P050M - P060M, P100M; P044L - P080L	\$4,475
	Compressor Unloading with Pressure Control for 2 Cycle Bank	P070M & P080M	6,443
	Head Cooling Fan	All Models	3,705
	Liquid Injection	P044L - P080L	8,135
Electrical and Control Panel Options	Air Defrost Time Clock	All Medium Temperature Models	596
	Anti-Short Cycle Timer	All Models	516
	Condenser Fan Breaker	P050M -P060M; P044L - P080L	780
	Condenser Fan Breaker	P070M -P100M	1,184
	Control Circuit Breaker	All Models	254
	EC Fan Motors with Electronic Variable Speed Control	P050M -P060M; P044L - P080L	Call Factory
	EC Fan Motors with Electronic Variable Speed Control	P070M -P100M	Call Factory
	Thru-the-door Fused Disconnect	Models with MOPD < 61A	1,576
	Thru-the-door Fused Disconnect	Models with 61A < MOPD < 101A	2,333
	Thru-the-door Fused Disconnect	Models with 101A < MOPD < 201A	3,997
	Thru-the-door Main Breaker	Models with MOPD ≤ 100A	2,014
	Thru-the-door Main Breaker	Models with 101A < MOPD < 201A	3,267
	Thru-the-door Non-Fused Disconnect	Models with MCA < 59A	1,419
	Thru-the-door Non-Fused Disconnect	Models with 59A < MCA > 99A	2,060
	Thru-the-door Non-Fused Disconnect	Models with 99A < MCA < 199A	3,406
	Phase-Loss Monitor - 250A	230V & 460V	996
Phase-Loss Monitor - ICM450	460V	2,067	
Refrigeration Options	Crankcase Pressure Regulator Valves	P050M-P60M	8,742
	Crankcase Pressure Regulator Valves	P070M-P100M; P044L - P080L	10,287
	Fan Cycling - Temperature or Pressure	All Flooded Models; Standard on Non-Flooded Models	2,196
	Heat Reclaim Valve	All Models	3,637
	Heated & Insulated Receiver	All Models	2,766
	Hot Gas Bypass Tee & Ball Valve	All Models	853
	Hot Gas Bypass Tee, Ball Valve & Regulator	All Models	4,943
	Liquid-line Filter Isolation Valve (Single Valve)	All Models	492
	Liquid Line Solenoid Valve (Shipped loose)	050M - 060M	1,159
	Liquid Line Solenoid Valve (Shipped loose)	070M - 100M	1,998
	Liquid Line Solenoid Valve (Shipped loose)	044L - 080L	766
	Oversized Receiver	All Models	1,177
	Receiver Level Gauge	All Models	1,460
	Suction Accumulator - Standard	P050M-P60M	3,660
	Suction Accumulator - Standard	P070M-P100M; P044L - P080L	3,983
	Suction Accumulator - Heat Exchanger	P050M-P60M	5,059
	Suction Accumulator - Heat Exchanger	P070M-P100M; P044L - P080L	5,590
	Suction-line Filter - Replaceable Core	P050M-P60M	1,615
	Suction-line Filter - Replaceable Core	P070M-P100M; P044L - P080L	1,788
	Suction-line Filter Isolation Valves	P050M-P60M	2,260
Suction-line Filter Isolation Valves	P070M-P100M; P044L - P080L	3,568	
Suction-line Insulation	All Models	2,861	

QV-SERIES AIR COOLED CONDENSING UNITS • DEFROST KITS

ELECTRIC DEFROST KIT NOMENCLATURE

DL	A	24	-
Defrost Kit Large Condenser	Heater Contactor A: 1 Heater Contactor B: 2 Heater Contactor C: 3 Heater Contactor D: 4 Heater Contactor	Max Total Heater Amp Value	Special Kit Codes -1: 1 Evaporator with Multiple Heater Feeds -2: 2 Evaporators with Multiple Heater Feeds PP: Pressure Prop Kits for Large Evaporators

When selecting defrost kit, use the next higher amp value above the defrost load.
 All kits include 1 fan contactor and are suitable for 1 or 3 phase loads.
 Electrical resistance loads greater than 48 amps must be split into multiple circuits.

ELECTRIC DEFROST KIT OPTIONS • SINGLE AND PARALLEL COMPRESSOR MODELS

1 HEATER CONTACTOR		2 HEATER CONTACTORS		3 HEATER CONTACTORS		4 HEATER CONTACTORS	
Defrost Kit Model	List Price (\$US)	Defrost Kit Model	List Price (\$US)	Defrost Kit Model	List Price (\$US)	Defrost Kit Model	List Price (\$US)
DLA24 ¹	\$1,647						
DLA30 ¹	1,712						
DLA35 ¹	1,927	DLB35 ¹	\$2,459	DLC35	\$3,359		
DLA40 ¹	1,927	DLB40 ^{1 4}	2,459	DLC40	3,359		
DLA48 ¹	1,927	DLB48 ^{1 4}	2,459	DLC48	3,359		
		DLB60 ^{1 2}	2,556	DLC60 ¹	3,359	DLD60 ⁵	\$3,972
		DLB96 ^{1 2}	3,095	DLC96 ¹	3,562	DLD96 ⁵	4,004
				DLC144 ¹	4,854	DLD144 ³	4,887
						DLD192 ³	5,135

Defrost Kit selected for Single and Parallel compressor models is for entire unit. Up to 4 contactors.

¹Defrost Kit Available with Pressure Prop Kit for Large Evaporators (Special Kit Code: PP)

²Defrost Kit Available for Evaporator with Multiple Heater Feeds (Special Kit Code: -1)

³Defrost Kit Available for 2 Evaporators with Multiple Heater Feeds (Special Kit Code: -2)

Defrost Kit Available for Evaporator with Multiple Heater Feeds & Pressure Prop Kit (Special Kit Code: -1PP)

Defrost Kit Available for 2 Evaporators with Multiple Heater Feeds & Pressure Prop Kit (Special Kit Code: -2PP)

ELECTRIC DEFROST KIT OPTIONS • DUAL COMPRESSOR MODELS

1 HEATER CONTACTOR PER		2 HEATER CONTACTORS PER	
Defrost Kit Model	List Price (\$US)	Defrost Kit Model	List Price (\$US)
DLA24 ¹	\$3,293		
DLA30 ¹	3,423		
DLA35 ¹	3,853	DLB35 ¹	\$4,919
DLA40 ¹	3,853	DLB40 ¹	4,919
DLA48 ¹	3,853	DLB48 ¹	4,919
		DLB60 ^{1 2 3}	5,113
		DLB96 ^{1 2 3}	6,189

Defrost Kit selected is per compressor for Dual compressor models. Up to 2 contactors/compressor.

¹Defrost Kit Available with Pressure Prop Kit for Large Evaporators (Special Kit Code: PP)

²Defrost Kit Available for Evaporator with Multiple Heater Feeds (Special Kit Code: -1)

³Defrost Kit Available for Evaporator with Multiple Heater Feeds & Pressure Prop Kit (Special Kit Code: -1PP)

ELECTRIC DEFROST KIT OPTIONS • FUSEBLOCK AND CIRCUIT BREAKERS

MAX HEATER AMPS	1 HEATER CONTACTOR		2 HEATER CONTACTORS		3 HEATER CONTACTORS		4 HEATER CONTACTORS	
	Fuseblock List Price Adder	Circuit Breaker List Price Adder	Fuseblock List Price Adder	Circuit Breaker List Price Adder	Fuseblock List Price Adder	Circuit Breaker List Price Adder	Fuseblock List Price Adder	Circuit Breaker List Price Adder
24	\$115	\$868						
30	154	1,353						
35	154	1,353	\$154	\$1,605	\$231	\$1,722		
40	154	1,353	154	1,605	231	1,722		
48	154	1,353	154	1,605	231	1,722		
60			215	2,698	330	2,847	\$355	\$2,982
96			276	2,714	377	3,629	457	3,740
144					477	3,752	624	4,505
192							627	4,552

Dual Compressor Units require 2 Fuseblocks & 2 Circuit Breaker, 1 per compressor. Up to 2 contactors/compressor.

FAN CONTACTOR KIT OPTIONS • SINGLE AND PARALLEL COMPRESSOR MODELS

1 FAN CONTACTOR		
Kit Number	Max Motor Amps	List Price (\$US)
TMR-EF-15A	15	\$910
TMR-EF-30A	30	964

Kit Includes: Defrost Timer & Evaporator Fan Contactor

ELECTRIC DEFROST COMPONENTS

(See Page 25 for Next-Gen II and page 33 for QV-Series defrost kits)

The **Witt Electric Defrost System** provides unique features that other defrost systems lack. These energy saving features are as follows:

- The auxiliary switch on 3 phase systems and block-out relays on 1 phase systems prevents the defrost heaters from energizing when the compressor is in operation. This features holds the maximum amp draw to the largest single load that the system will draw, and therefore reduces the electrical service requirement to the condensing unit.
- On multiple evaporator systems, individual defrost contactors are used in conjunction with sequencing relays* to allow each evaporator to terminate defrost independently. This efficient method of defrost saves electricity, and reduces the potential of overheating and steaming the evaporators. In addition, the amount of heat added to the room is kept to a minimum, reducing the run time of the condensing unit.

KIT NUMBER	TIMER	AUXILIARY SWITCH	BLOCK-OUT RELAY	† DEFROST HEATER CONTACTOR (1)	‡ FAN CONTACTOR	SEQUENCING RELAY
ED-5	1	—	1-15A	—	—	—
ED-6	1	—	1-20A	—	—	—
ED-7	1	—	1-25A	—	—	—
ED-10	1	—	1-30A	—	—	—
ED-210	1	—	1-30A	—	—	—
ED-11	1	1	—	1-30A	—	—
ED-211	1	1	—	1-30A	—	—
ED-12	1	1	—	1-30A	1-25A	—
ED-13	1	1	—	1-50A	—	—
ED-213	1	1	—	1-50A	—	—
ED-14	1	1	—	1-50A	1-25A	—
ED-15	1	1	—	2-75A	—	—
ED-16	1	1	—	2-75A	1-25A	—
ED-17	1	1	—	1-15A	1-25A	—
ED-18	1	1	—	1-20A	1-20A	—
ED-20	1	—	1-30A	—	—	2
ED-21	1	1	—	2-15A	—	2
ED-22	1	1	—	2-15A	1-25A	2
ED-23	1	1	—	2-25A	—	2
ED-24	1	1	—	2-25A	1-25A	2
ED-25	1	1	—	2-50A	—	2
ED-26	1	1	—	2-50A	1-25A	2
ED-27	1	1	—	2-75A	—	2
ED-28	1	1	—	2-75A	1-25A	2
ED-30	1	—	1-30A	—	—	3
ED-31	1	1	—	3-10A	—	3
ED-32	1	1	—	3-10A	1-25A	3
ED-33	1	1	—	3-15A	—	3
ED-34	1	1	—	3-15A	1-25A	3
ED-35	1	1	—	3-30A	—	3
ED-36	1	1	—	3-30A	1-25A	3
ED-37	1	1	—	3-75A	—	3
ED-38	1	1	—	3-75A	1-40A	3

* Except for ED-210, ED-211, ED-213

† Heater contactor amperage is based on its resistive rating.

‡ Fan motor contactor amperage is based on its inductive rating.

TIMER
Initiates the defrost cycle. Also used as over ride protection for defrost termination.

AUXILIARY SWITCH
Mounted on the compressor contactor, it prevents the defrost contactor from operating whenever the compressor is energized.

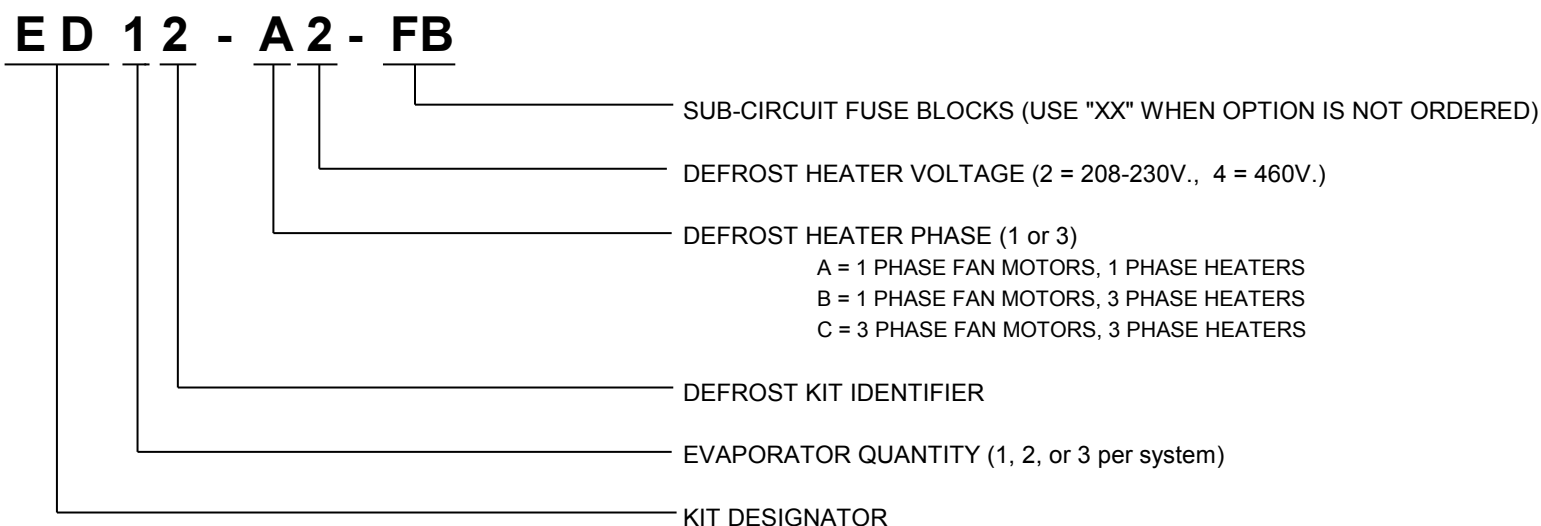
BLOCK-OUT RELAY
Serves the same function as auxiliary switch, except used when defrost contactor is not required (single phase only).

FAN CONTACTOR
Used with 460V motors or when 230V motors are wired for 3 phase power.

DEFROST CONTACTOR
Carries amperage load for heaters. Contactor selection is based on the maximum resistive load rating of the contactor.

SEQUENCING RELAYS
Provides interconnection of multiple unit coolers on a single system so that each unit cooler is allowed to individually terminate defrost on temperature.

ELECTRIC DEFROST KIT NOMENCLATURE (See Page 25 for Next-Gen II and page 33 for QV-Series defrost kits)



ELECTRIC DEFROST PROVISIONS

(See Page 25 for Next-Gen II and page 33 for QV-Series defrost kits)

QTY OF UNIT COOLERS	DESCRIPTION	DEFROST KIT NUMBER				LIST PRICE	
		1 PH. FANS 1 PH. HTRS	1 PH. FANS 3 PH. HTRS	230 V. 3 PH. FANS 3 PH. HTRS	460 V. 3 PH. FANS 3 PH. HTRS	LOOSE OR MOUNTED	‡ SUB-CIRC. FUSE BLOCKS (LESS FUSES)

DEFROST KITS WHEN THE EVAPORATOR FAN MOTORS ARE WIRED FOR 230/1.

ONE UNIT COOLER PER SYSTEM	Up to 15 Amps Heater (w/ relay)	ED5-A2-XX	N/A	N/A	N/A	\$719	N/A
	20 Amps Heater (w/ relay)	ED6-A2-XX	N/A	N/A	N/A	719	N/A
	25 Amps Heater (w/ relay)	ED7-A2-XX	N/A	N/A	N/A	719	N/A
	30 Amps Heater (w/ relay)	ED10-A2-XX	N/A	N/A	N/A	719	N/A
	30 Amps - Heater (w/ contactors)	N/A	ED11-B2-XX	N/A	N/A	719	\$180
	50 Amps - Heater	ED13-A2-XX	ED13-B2-XX	N/A	N/A	1,395	180
	75 Amps Heater	ED15-A2-XX	ED15-B2-XX	N/A	N/A	2,138	210
TWO UNIT COOLERS PER SYSTEM	Up to 30 Amps Heater (w/ relay)	ED210-A2-XX	N/A	N/A	N/A	719	N/A
	30 Amps Heater each	ED211-A2-XX	ED211-B2-XX	N/A	N/A	719	180
	50 Amps Heater each	ED213-A2-XX	ED213-B2-XX	N/A	N/A	1,395	219
	Up to 15 Amps Heaters each (w/ relays)	ED20-A2-XX	N/A	N/A	N/A	1,992	N/A
	15 Amps Heaters each	ED21-A2-XX	ED21-B2-XX	N/A	N/A	1,992	323
	25 Amps Heaters each (w/ relays)	ED23-A2-XX	N/A	N/A	N/A	2,046	323
	25 Amps Heaters each (w/ contactors)	N/A	ED23-B2-XX	N/A	N/A	2,046	323
	50 Amps Heaters each	ED25-A2-XX	ED25-B2-XX	N/A	N/A	2,295	323
	75 Amps Heaters each	ED27-A2-XX	ED27-B2-XX	N/A	N/A	3,125	420
THREE UNIT COOLERS PER SYSTEM	Up to 10 Amps Heaters each (w/ relays)	ED30-A2-XX	N/A	N/A	N/A	2,712	N/A
	16 Amps Heaters each (w/ relays)	ED31-A2-XX	N/A	N/A	N/A	2,712	398
	16 Amps Heaters each (w/ relays)	ED33-A2-XX	N/A	N/A	N/A	2,712	398
	16 Amps Heaters each (w/ contactors)	N/A	ED33-B2-XX	N/A	N/A	2,712	398
	30 Amps Heaters each (w/ relays)	ED35-A2-XX	N/A	N/A	N/A	3,043	398
	30 Amps Heaters each (w/ contactors)	N/A	ED35-B2-XX	N/A	N/A	3,043	398
	50 Amps Heaters each	ED37-A2-XX	ED37-B2-XX	N/A	N/A	3,459	473

DEFROST KITS WHEN THE EVAPORATOR FAN MOTORS ARE WIRED FOR 230/3, 460/3, OR 460/1.

ONE UNIT COOLER	Up to 25 Amps Heater	ED17-A4-XX	N/A	N/A	N/A	\$1,454	\$298
	30 Amps Heater	ED12-A4-XX	ED12-BX-XX	ED12-C2-XX	ED12-C4-XX	1,454	298
	50 Amps Heater	N/A	ED14-BX-XX	ED14-C2-XX	ED14-C4-XX	1,701	298
	75 Amps Heater	N/A	N/A	ED16-C2-XX	ED16-C4-XX	2,339	348
TWO UNIT COOLERS	Up to 15 Amps Heaters per Unit Cooler	N/A	ED22-BX-XX	ED22-C2-XX	ED22-C4-XX	2,446	398
	25 Amps Heaters per Unit Cooler	N/A	ED24-BX-XX	ED24-C2-XX	ED24-C4-XX	2,446	398
	50 Amps Heaters per Unit Cooler	N/A	ED26-BX-XX	ED26-C2-XX	ED26-C4-XX	2,578	455
	75 Amps Heaters per Unit Cooler	N/A	N/A	ED28-C2-XX	N/A	3,329	554
THREE UNIT COOLERS	Up to 10 Amps Heaters per Unit Cooler	N/A	ED32-BX-XX	ED32-C2-XX	ED32-C4-XX	3,122	529
	16 Amps Heaters per Unit Cooler	N/A	ED34-BX-XX	ED34-C2-XX	ED34-C4-XX	3,122	529
	30 Amps Heaters per Unit Cooler	N/A	ED36-BX-XX	ED36-C2-XX	ED36-C4-XX	3,860	529
	50 Amps Heaters per Unit Cooler	N/A	ED38-BX-XX	ED38-C2-XX	ED38-C4-XX	4,287	633

† Replace "XX" with "FB" when ordering the sub-circuit fuse block option. For description of "ED" kit nomenclature see page 34.

‡ Sub-circuit fuse block price includes fuse blocks installed in the condensing unit, **less fuses**, for evaporator(s) motors and defrost heaters.

Sub-circuit fusing option is not available for 1/2 to 6 HP G-Series models due to space limitations in the control panel.

* Add "FB" suffix to ED kit part number when pricing sub-circuit fuse block option.

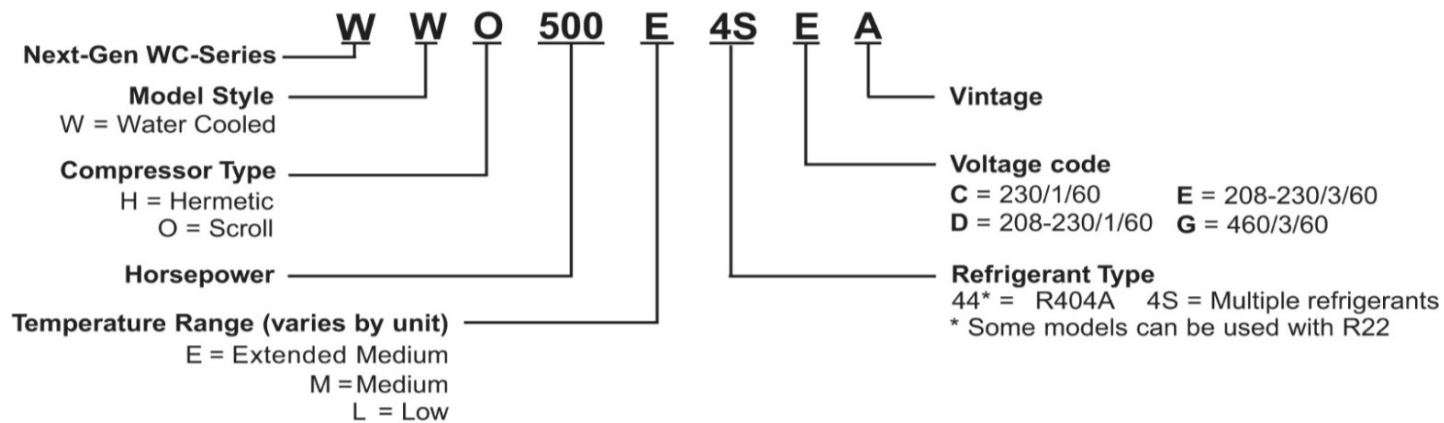
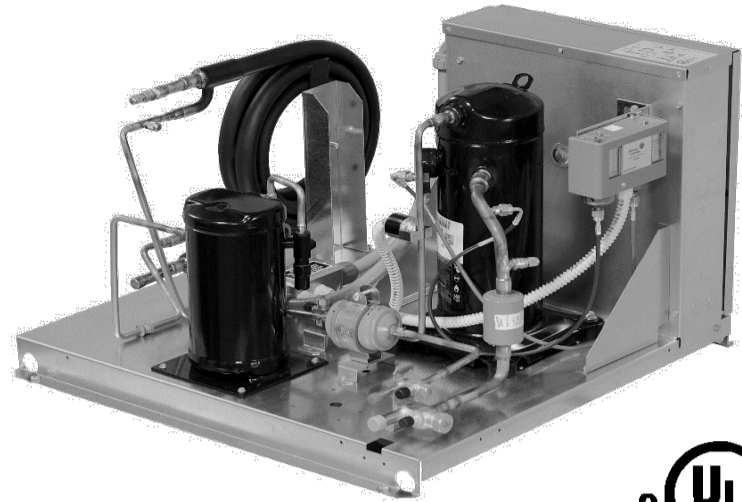
NEXT-GEN WC-SERIES™ • INDOOR WATER COOLED CONDENSING UNITS

1/2 THRU 6 H.P.

Standard Features (all models)

- Hermetic or Scroll compressors
- Galvanized steel base
- High efficiency water cooled coaxial condenser and heat exchange
- Mechanically formed pre-bent tubing for reduced leak potential
- **Liquid line kit with filter/drier and sight glass with moisture indicator**
- Suction line piping (filter optional)
- Suction and discharge service valves (as required)
- Base mounted shut-off valves
- Color-coded point-to-point wiring
- Large electrical control panel with hinged/removable door
- Refrigerant receiver with isolation valve and pressure relief plug
- Adjustable high and low pressure controls
- Control transformer (460V to 230V) as required
- Compressor contactor (1Ø or 3Ø), start kit (1Ø)
- Crankcase heater
- **Electronic defrost timer with defrost contactor/ relay on low temp. models (2 evaps. Maximum)**
- **Electronic air defrost timer (Medium temperature models)**

For defrost provisions see pages 34 & 35



NEXT-GEN WC-SERIES • HERMETIC COMPRESSOR MODELS

Temp Range	NOM H.P.	Model Number	Compressor	BASE LIST PRICE (Includes Liquid Line Kit with Filter/Drier and Sight Glass with Moisture Indicator, and Defrost Timer or Kit)			Water Reg. Valve‡	Sealed Suction Line Filter	Suction Accum. ^	Pump Down Switch	4 Year Comp. Protection Plan	Approx. Ship Wt. (LBS)
				208-230V/3	208-230V/1	460V/3						
Medium Temp	1/2	WWH055E4S	RST45C1E	N/A	\$4,753	N/A	\$467	\$356	\$548	\$349	\$113 NET	152
	1/2	WWH080E4S	RST55C1E	N/A	4,851	N/A	467	356	548	349	113 NET	156
	3/4	WWH090E4S	RST64C1E	N/A	4,996	N/A	467	356	548	349	113 NET	160
	3/4	WWH100E4S	RST70C1E	\$5,580	5,396	N/A	467	356	548	349	113 NET	167
	1	WWH125E4S	RST97C1E	5,738	5,784	N/A	467	356	548	349	127 NET	195
	1-1/2	WWH150E44	CS10K6E	5,900	5,624	\$6,582	467	356	548	349	127 NET	205
	2	WWH200E44	CS12K6E	6,746	6,210	N/A	467	356	548	349	139 NET	228
	2-1/2	WWH250E44	CS14K6E	7,148	6,665	7,592	506	356	548	349	139 NET	235
Low Temp	3	WWH300E44	CS18K6E	8,169	7,887	8,492	506	423	846	349	153 NET	253
	3	WWH325E44	CS20K6E	8,575	8,266	8,856	506	423	846	349	153 NET	273
	1-1/2	WWH150L44	CF06K6E	5,805	5,654	N/A	467	356	548	349	127 NET	195
	2	WWH200L44	CF09K6E	6,023	5,873	6,496	467	356	548	349	139 NET	243
	3	WWH300L44	CF12K6E	8,536	8,335	8,674	506	423	846	349	153 NET	255

ADDITIONAL OPTIONS FOR NEXT-GEN WC-SERIES UNITS

DESCRIPTION	LIST PRICE
ANTI-SHORT CYCLE TIMER	\$718
GAUGE KIT, HIGH, LOW, AND OIL PRESSURE	2,009
PHASE LOSS MONITOR	1,216
CUPRONICKEL HEAT EXCHANGER AND WATER PIPING	CF
ELECTRONIC OIL PRESSURE CONTROL (SOPC)	877
TWO-TIERED STACKING RACK	CF

^ For pre-piped Suction Accumulator, the Sealed Suction Line Filter option must also be ordered.

CF = Contact Factory for pricing

‡ OPTIONAL FIELD INSTALLED WATER REGULATING VALVE (ALL MODELS) SHIPPED LOOSE

The V46 pressure-actuated water-regulating valve size estimates are based on 65°F to 85°F coil inlet water temperature and the refrigerant pressure at 105°F saturated condensing. An adjustable water-pressure reducing valve (0 to 50 psi) is required upstream from the V46 valve, to reduce the inlet water pressure and achieve the required flowrates. Refer to the V46 Pressure-Actuated Water-Regulating Valve Product Bulletin, LIT-125687 on the Johnson Control QuickLIT website for complete information on sizing and adjusting V46 valves.

Water Flowrates (GPM)	Water Regulating Valve
1.5 to 11.5	V46AA-1C
11.5 to 21	V46AB-1C

NEXT-GEN WC-SERIES™ • INDOOR WATER COOLED CONDENSING UNITS

1/2 THRU 6 H.P.

NEXT-GEN WC-SERIES • SCROLL COMPRESSOR MODELS

Temp Range	NOM H.P.	Model Number	Compressor	BASE LIST PRICE (Includes Liquid Line Kit with Filter/Drier and Sight Glass with Moisture Indicator, and Defrost Timer or Kit)*			Water Reg. Valve‡	Sealed Suction Line Filter	Suction Accum.^	Pump Down Switch	4 Year Comp. Protection Plan	Approx. Ship Wt. (LBS)
				208-230V/3	208-230V/1	460V/3						
Medium Temp	1/2	WWO060M4S	ZB06KAE	\$8,991	\$8,979	N/A	\$467	\$356	\$548	\$349	\$209 NET	195
	1/2	WWO080M4S	ZB07KAE	9,098	9,067	N/A	467	356	548	349	209 NET	195
	1	WWO100M4S	ZB08KAE	9,216	9,156	N/A	467	356	548	349	209 NET	195
	1-1/3	WWO130E4S	ZS09KAE	9,350	9,257	\$9,692	467	356	548	349	209 NET	195
	1-1/2	WWO150E4S	ZS11KAE	9,997	9,903	10,339	467	356	548	349	209 NET	205
	1-3/4	WWO180E4S	ZS13KAE	10,232	10,138	10,574	467	356	548	349	209 NET	210
	2	WWO200E4S	ZS15KAE	10,408	10,315	10,750	467	356	548	349	209 NET	215
	2-1/2	WWO250E4S	ZS19KAE	10,548	10,433	10,953	506	356	548	349	209 NET	230
	3	WWO300E4S	ZS21KAE	10,727	10,591	11,197	506	423	846	349	272 NET	305
	3-1/2	WWO350E4S	ZS26KAE	11,397	11,254	11,732	506	423	846	349	272 NET	325
	4	WWO400E4S	ZS29KAE	11,773	11,612	12,096	568	423	846	349	285 NET	352
	4-1/2	WWO450E4S	ZS33KAE	11,626	11,463	12,048	568	423	846	349	292 NET	375
	6	WWO500E4S	ZS38K4E	12,203	12,038	12,724	879	423	846	349	292 NET	383
	6 1/2	WWO600E4S	ZS45K4E	14,086	N/A	14,312	879	423	846	349	292 NET	405
Low Temp	1	WWO100L4S	ZF03KAE	9,927	9,408	N/A	467	356	548	349	209 NET	230
	1-1/3	WWO130L4S	ZF04KAE	10,100	9,639	N/A	467	356	548	349	209 NET	230
	1-1/2	WWO160L4S	ZF05KAE	10,337	9,937	N/A	467	356	548	349	209 NET	230
	2	WWO230L4S	ZF07KAE	10,638	10,499	10,971	467	356	548	349	209 NET	230
	2-1/2	WWO250L4S	ZF08K4E	11,014	10,862	11,132	506	356	548	349	209 NET	240
	3	WWO300L4S	ZF09K4E	11,289	11,125	12,641	506	423	846	349	272 NET	245
	3-1/2	WWO350L4S	ZF11K4E	11,795	11,628	12,071	506	423	846	349	272 NET	255
	4	WWO400L4S	ZF13K4E	12,286	12,130	12,565	568	423	846	349	285 NET	352
	5	WWO500L4S	ZF15K4E	12,438	12,286	12,727	879	423	846	349	285 NET	367
	6	WWO600L4S	ZF18K4E	14,022	N/A	14,785	879	423	846	349	292 NET	383

ADDITIONAL OPTIONS FOR NEXT-GEN WC-SERIES UNITS

DESCRIPTION	LIST PRICE
ANTI-SHORT CYCLE TIMER	\$718
GAUGE KIT, HIGH, LOW, AND OIL PRESSURE	2,009
PHASE LOSS MONITOR	1,216
CUPRONICKEL HEAT EXCHANGER AND WATER PIPING	CF
ELECTRONIC OIL PRESSURE CONTROL (SOPC)	877
TWO-TIERED STACKING RACK	CF

* See page 36 for a complete list of features, voltage codes and an example of nomenclature layout.

^ For pre-piped Suction Accumulator, the Sealed Suction Line Filter option must also be ordered.

CF = Contact Factory for pricing

‡ OPTIONAL FIELD INSTALLED WATER REGULATING VALVE (ALL MODELS) SHIPPED LOOSE

The V46 pressure-actuated water-regulating valve size estimates are based on 65°F to 85°F coil inlet water temperature and the refrigerant pressure at 105°F saturated condensing. An adjustable water-pressure reducing valve (0 to 50 psi) is required upstream from the V46 valve, to reduce the inlet water pressure and achieve the required flowrates. Refer to the V46 Pressure-Actuated Water-Regulating Valve Product Bulletin, LIT-125687 on the Johnson Control QuickLIT website for complete information on sizing and adjusting V46 valves.

Water Flowrates (GPM)	Water Regulating Valve
1.5 to 11.5	V46AA-1C
11.5 to 21	V46AB-1C

WRW SERIES • INDOOR WATER COOLED CONDENSING UNITS

3 H.P. THRU 40 H.P.

STANDARD FEATURES:

- Copeland Discus (WRWD model) Compressors
- High Efficiency, Cleanable Shell and Tube Condenser/Receiver
- Compressor Contactor and Control Circuit Fusing in a NEMA 1 enclosure
- Models up to 80 HP are available, Contact Factory for pricing
- High / Low Pressure and Oil Pressure Controls
- Spring Mounted Compressor
- Head Cooling Fan (when required)
- Isolation and Pressure Relief Valves
- UL and C-UL listed



OPTIONAL FEATURES:

- Oversized Control Panel (OCP) required when adding defrost kits or other electrical components.
- Two tiered stacking racks

Shown with optional oversized control panel, liquid line assembly, suction line assembly and Electronic oil pressure control.

NOTE: 7 thru 40 HP models are being discontinued. Last day to order is 3/28/19.

REFR. TYPE	NOM H.P.	MODEL NUMBER	LIST PRICE		WATER REG. VALVE‡	LK	* SK	^ SUCTION LINE ACCUM.	OIL SEPARATOR	4 Year Comp. Protection Plan	APPROX. SHIP WT (LBS)	
			230V/3	460V/3								
MED. TEMP. R-404A	3.0	WRWS3M44	Model no longer available.									
	5.0	WRWD5M44	\$19,951	\$22,085	\$879	\$653	\$524	\$846	\$1,440	\$600	NET	485
	5.0	WRWD6M44	21,471	23,679	879	653	524	846	1,440	600	NET	495
	7.5	WRWD7M44	22,985	25,403	1,204	653	524	846	1,533	600	NET	540
	7.5	WRWD8M44	25,171	27,351	1,204	653	524	846	1,533	600	NET	590
	10.0	WRWD10M44	29,580	30,582	1,204	879	888	1,243	1,533	776	NET	780
	12.0	WRWD12M44	32,051	32,624	1,555	1,102	1,417	2,596	1,802	932	NET	790
	15.0	WRWD15M44	33,029	34,014	1,555	1,102	1,417	2,596	1,802	1,169	NET	800
	20.0	WRWD20M44	37,939	38,669	1,555	1,102	1,417	2,596	1,802	1,487	NET	835
	25.0	WRWD25M44	43,788	44,397	1,555	1,288	1,417	3,251	2,986	1,673	NET	1,050
LOW TEMP. R-404A	3.0	WRWS3L44	Model no longer available.									
	3.0	WRWD3L44	17,181	19,104	879	653	524	846	1,440	329	NET	390
	4.0	WRWD4L44	18,415	20,273	879	653	524	846	1,440	489	NET	465
	5.0	WRWD5L44	19,298	20,733	879	653	524	846	1,440	489	NET	485
	6.0	WRWD6L44	21,651	22,840	879	653	524	846	1,440	592	NET	530
	8.0	WRWD8L44	23,606	25,241	1,204	653	524	846	1,533	600	NET	590
	9.0	WRWD9L44	26,124	27,921	1,204	879	888	1,243	1,533	776	NET	620
	10.0	WRWD10L44	28,819	29,488	1,204	879	888	1,243	1,533	776	NET	795
12.0	WRWD12L44	32,005	32,391	1,204	1,102	1,417	2,596	1,802	932	NET	820	
15.0	WRWD15L44	34,859	35,274	1,555	1,102	1,417	2,596	1,802	1,202	NET	845	
22.0	WRWD22L44	41,065	41,376	1,555	1,102	1,417	2,596	1,802	1,487	NET	1,030	
27.0	WRWD27L44	57,727	58,126	1,555	1,288	1,417	3,251	2,986	1,673	NET	1,255	
30.0	WRWD30L44	59,885	60,700	1,555	1,288	1,417	3,251	2,986	1,782	NET	1,310	

* Suction line assembly option must be ordered to receive the Suction Accumulator pre-piped.

^ For pre-piped Suction Accumulator, the SK option must also be ordered.

‡ Water Reg. Valve shipped Loose for field installation.

OPTIONAL PIPING COMPONENTS

*LIQUID LINE KIT		* SUCTION LINE KIT	
H.P.	Kit Num	H.P.	Kit Num
3 - 8	LK-4	3 - 8	SK-4
9 - 10	LK-5	9 - 10	SK-5
12 - 22	LK-6	12 - 22	SK-6
25 - 40	LK-7	25 - 40	SK-7

See pages 22 & 26 for piping component pricing.

ADDITIONAL OPTIONS FOR WRW SERIES

DESCRIPTION	LIST PRICE
ANTI-SHORT CYCLE TIMER	\$718
GAUGE KIT, HIGH, LOW, AND OIL PRES.	2,009
PHASE LOSS MONITOR	1,216
OVERSIZED CONTROL PANEL (OCP)	686
ELECTRONIC OIL PRESSURE CONTROL (SOPC)	877
TWO-TIERED STACKING OPTION -WRWS	C/F
TWO-TIERED STACKING OPTION -WRWD	C/F

WATER COOLED & REMOTE SCROLL CONDENSING UNITS

NOTE: 7 thru 40 HP models are being discontinued. Last day to order is 3/28/19.

WATER COOLED CONDENSING UNIT PRICING

REFR. TYPE	NOM. H.P.	MODEL NUMBER	LIST PRICE			WATER REG. VALVE‡	CLEAN-ABLE COND.	LK	* SK	^ SUCTION LINE ACCUM.	OIL SEP.	4 Year Comp. Protection Plan	APPROX. SHIP WT. (LBS.)
			230V/3	230V/1	460V/3								
MED. TEMP R404A	1.0	GWO100M44	GW Series 1/2 to 6-1/2 H.P. Scroll models are no longer available. Use Next-Gen WC-Series models instead.										
	1.5	GWO150M44											
	2.0	GWO200M44											
	2.5	GWO250M44											
	3.0	GWO315M44											
	3.0	GWO350M44											
	4.0	GWO400M44											
	6.0	GWO600M44											
	6.5	GWO650M44											
	7.5	WRWO7M44											
	7.5	WRWO8M44	\$18,995	N/A	\$19,497	\$1,204	C/F	\$653	\$524	\$846	\$1,533	\$482 NET	405
	10.0	WRWO10M44	23,668	N/A	25,378	1,204	C/F	653	524	846	1,533	482 NET	450
	13.0	WRWO13M44	29,391	N/A	30,232	1,204	C/F	879	888	1,243	1,533	522 NET	665
	13.0	WRWO13M44	29,913	N/A	30,817	1,555	C/F	1,102	1,417	2,596	1,802	602 NET	675
LOW TEMP. R-404A	2.0	GWO200L44	GW Series 1/2 to 6 H.P. Scroll models are no longer available. Use Next-Gen WC-Series models instead.										
	2.5	GWO250L44											
	3.0	GWO300L44											
	3.0	GWO301L44											
	4.0	GWO400L44											
	5.0	GWO500L44											
	6.0	GWO600L44											
	7.5	WRWO8L44											
	10.0	WRWO10L44											
	13.0	WRWO13L44											
	7.5	WRWO8L44	18,990	N/A	20,489	1,204	C/F	653	524	846	1,533	482 NET	470
	10.0	WRWO10L44	23,860	N/A	25,629	1,204	C/F	879	888	1,243	1,533	522 NET	645
	13.0	WRWO13L44	26,689	N/A	27,562	1,555	C/F	1,102	1,417	2,596	1,802	602 NET	670

REMOTE COMPRESSOR UNIT PRICING

REFR. TYPE	NOM. H.P.	MODEL NUMBER	LIST PRICE			WATER REG. VALVE‡	CLEAN-ABLE COND.	LK	* SK	^ SUCTION LINE ACCUM.	OIL SEP.	4 YEAR EXT. COMP. WARRANTY	APPROX. SHIP WT. (LBS.)
			230V/3	230V/1	460V/3								
MED. TEMP. R-404A	2.0	GNO200M44	Remote Compressor models are no longer available										
	2.5	GNO250M44											
	3.0	GNO315M44											
	3.0	GNO350M44											
	4.0	GNO400M44											
	6.0	GNO600M44											
	6.5	GNO650M44											
	7.5	WRNO7M44											
	7.5	WRNO8M44											
	10.0	WRNO10M44											
13.0	WRNO13M44												
LOW TEMP. R-404A	2.0	GNO200L44	Remote Compressor models are no longer available										
	2.5	GNO250L44											
	3.0	GNO300L44											
	3.0	GNO301L44											
	4.0	GNO400L44											
	5.0	GNO500L44											
	6.0	GNO600L44											
	7.5	WRNO8L44											
	10.0	WRNO10L44											
	13.0	WRNO13L44											

* Suction line assembly option must be ordered to receive the Suction Accumulator (SA) pre-piped.

^ For pre-piped SA, the SK option must also be ordered.

‡ Water Reg. Valve shipped Loose for field installation.

C/F = Consult the factory for pricing.

OPTIONAL PIPING COMPONENTS			
*LIQUID LINE KIT		* SUCTION LINE KIT	
H.P.	Kit Num	H.P.	Kit Num
1/2 - 3	LK-MC1	1/2 - 3	*SK-MC-1
4 - 6	LK-MC2	4 - 6	*SK-MC-2
3 - 8	LK-4	3 - 8	SK-4
9 - 10	LK-5	9 - 10	SK-5
12 - 22	LK-6	12 - 22	SK-6

See pages 21 & 25 for piping component pricing.

ADDITIONAL OPTIONS FOR SCROLL MODELS	
DESCRIPTION	LIST PRICE
ANTI-SHORT CYCLE TIMER	\$718
GAUGE KIT, HIGH, LOW, AND OIL PRESSURE	2,009
PHASE LOSS MONITOR	1,216
OVERSIZED CONTROL PANEL (OCP)	686
ELECTRONIC OIL PRESSURE CONTROL (SOPC)	877
TWO-TIERED STACKING OPTION - 1 thru 6.5 H.P.	C/F
TWO-TIERED STACKING OPTION - 7 thru 13 H.P.	C/F

RE-HEAT KITS

Re-heat kits have been discontinued and are no longer available.

HEAT RECLAIM UNIT HEATERS



MODEL NUMBER	CFM	QTY OF FANS	MOTOR H.P.	LIST PRICE		APPROX. SHIP WT. (LBS.)
				208/230/1 460/1/60	208/230/3 460/3/60	
HACS001B-08	3,020	1	1/3	\$2,346	\$2,479	97
HACS001B-12	2,890	1	1/3	3,078	3,211	99
HACS002B-08	2,840	1	1/3	3,439	3,572	105
HACS003B-08	4,450	1	1/3	6,285	6,416	128
HACS005B-10	3,900	1	1/3	7,870	8,003	137
HACS008B-10	8,640	2	1/3	9,634	9,766	190
HACS010B-10	7,780	2	1/3	10,816	10,948	205
HACS012B-10	7,080	2	1/3	12,951	13,083	221

Specify voltage and discharge orientation(horizontal or vertical) when ordering

FREIGHT SURCHARGES

The following freight surcharges will be applied to orders (when applicable). For delivery and post delivery issues, the customer will be notified and a second invoice will be generated.

BASIC LTL FREIGHT SURCHARGES	NET Price†
Delivery Notification / Call before delivery	\$77
Lift Gate Service	239
Saturday Delivery Request	542
*Failed/Refused delivery attempt (minimum)	110
*Failed/Refused delivery attempt (Maximum)	1,360
Re-consignment fee	102
Storage (Per 100 LBS for each calendar day)	5

BASIC CONTRACT HAUL SURCHARGES	NET†
Cancelled truck not used	\$2,419
Re-consignment fee	867
Reconsignment cost per mile (\$1566 Minimum)	3.00
Delay in unloading (4 hours or more past an appointment)	1,686

† Net prices are not to be discounted.

* Refused Delivery fee will be calculated @ 13.00 cents per 100 LBS, subject to Minimum and Maximum charges shown above (per incident).

† Net prices are not to be discounted.

APEX • TOP MOUNTED REFRIGERATION SYSTEM

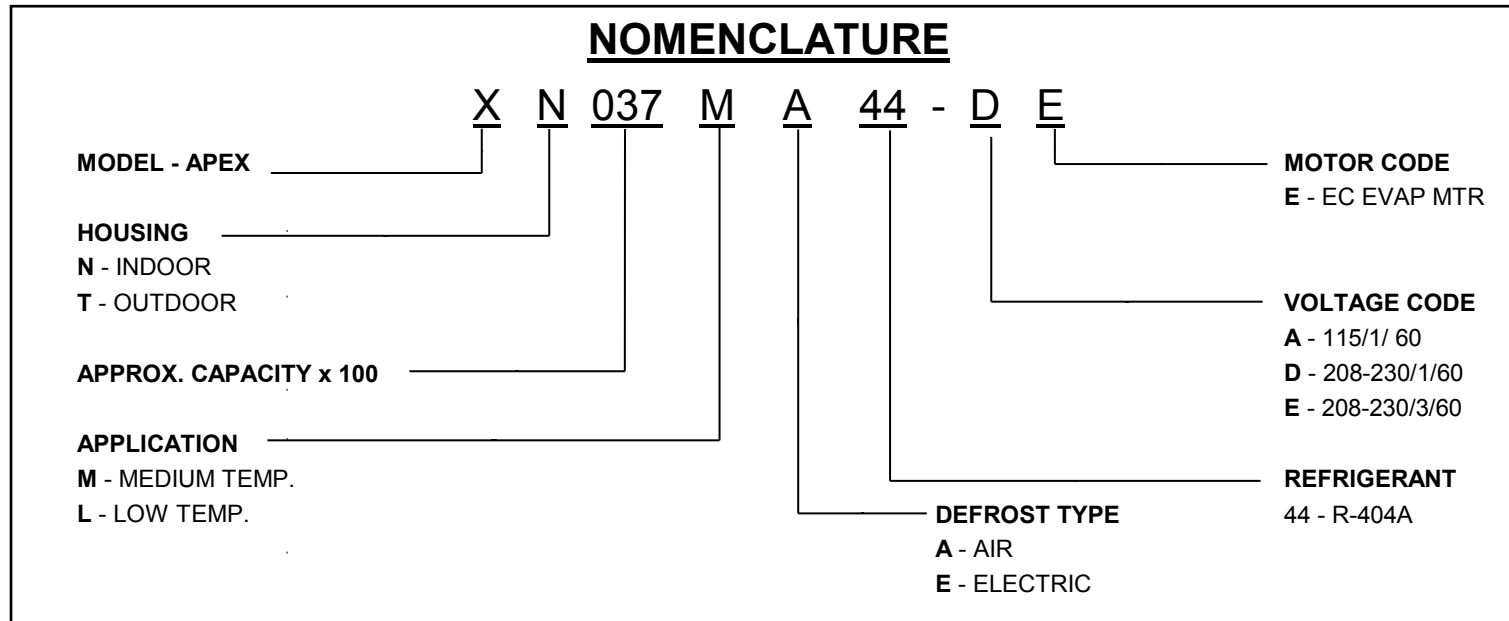
Medium Temperature - Air Defrost

Model Number	Indoor List Price EC Evap Mtr	Outdoor List Price EC Evap Mtr	Indoor Power Cord	Volts/Ph/Hz	INDOOR NET / SHIP WT. (LBS.)	OUTDOOR NET / SHIP WT. (LBS.)	4 Year Compressor Protect. Plan Net Price
XN026MA44AE	\$5,918	N/A	Yes	115/1/60	120 / 185	N/A	\$84
XN029MA44AE	6,482	N/A	Yes	115/1/60	120 / 185	N/A	84
XN037MA44AE	6,685	N/A	Yes	115/1/60	125 / 190	N/A	84
XN050MA44AE	8,844	N/A	Yes	115/1/60	210 / 305	N/A	84
X*050MA44DE	8,851	\$10,052	Yes	208-230/1/60	210 / 305	220 / 360	84
X*068MA44DE	10,237	11,007	Yes	208-230/1/60	220 / 315	230 / 370	84
X*076MA44DE	10,937	11,983	Yes	208-230/1/60	220 / 315	230 / 375	84
X*106MA44DE	13,029	13,477	Yes	208-230/1/60	295 / 420	310 / 485	86
X*106MA44EE	12,223	13,432	No	208-230/3/60	305 / 430	320 / 495	86
X*134MA44DE	14,585	14,754	No	208-230/1/60	310 / 435	325 / 500	104
X*134MA44EE	13,367	14,668	No	208-230/3/60	310 / 435	325 / 500	104

Low Temperature - Electric Defrost

Model Number	Indoor List Price EC Evap Mtr	Outdoor List Price EC Evap Mtr	Indoor Power Cord	Volts/Ph/Hz	INDOOR NET / SHIP WT. (LBS.)	OUTDOOR NET / SHIP WT. (LBS.)	4 Year Compressor Protect. Plan Net Price
XN018LE44AE	\$9,682	N/A	Yes	115/1/60	140 / 200	N/A	\$84
X*024LE44AE	11,007	N/A	Yes	115/1/60	210 / 305	N/A	84
X*024LE44DE	11,670	\$11,549	Yes	208-230/1/60	210 / 305	225 / 365	84
X*031LE44DE	11,624	12,982	Yes	208-230/1/60	245 / 340	255 / 400	84
X*043LE44DE	12,943	14,873	Yes	208-230/1/60	245 / 340	255 / 400	86
X*051LE44DE	14,852	16,792	Yes	208-230/1/60	315 / 445	320 / 510	86
X*051LE44EE	14,848	16,656	No	208-230/3/60	315 / 445	320 / 510	86
X*068LE44DE	15,936	17,884	No	208-230/1/60	320 / 450	335 / 515	101
X*068LE44EE	15,923	17,872	No	208-230/3/60	320 / 450	335 / 515	101

NOMENCLATURE



Saving Time and Money

- Fully factory assembled, charged and tested.
 - No piping or loose components to install which saves you labor cost \$\$\$.
 - Adjustable digital controller is preset for typical cooler or freezer applications.
 - **Two-year warranty on all parts***
See Apex IOM M900 for full Warranty Disclosure
- * Insert character for housing code or motor code as applicable

Quick Installation

- Installs in a fraction of the time it takes for a typical split refrigeration systems.
- The supply/return register mounts flush with a standard 4" ceiling panel which provides for more storage in your cooler or freezer.
- Condensate is evaporated so no drain line is required on indoor models.
- Outdoor models come standard with a roof and drain line connection (see drawing in Catalog WT-XNT).



Standard Features

- Inverter Duty rail mounted motors
- Vertical air flow
- Motors with inherent thermal overload protection
- 3/8" refrigerant saving copper tube, aluminum fin coils*
- 650 PSIG working pressure
- Vinyl coated heavy gauge steel fan guards
- Swept wing fan/Venturi improves airflow and sound
- Hinged Venturi panels for easy servicing
- Hinged leg design for simple installation
- Proprietary floating coil design
- Thru-the-door non-fused disconnect switch
- Heavy gauge painted galvanized steel construction
- Heavy duty lifting eyes for equipment rigging
- UL and cUL listed for outdoor use
- LED control panel lighting
- California Title 24 compliant - see pages 46 - 47 for applicable models and details

Options

- Fan cycling head pressure control
- Flooded head pressure control
- Subcooling circuit
- Horizontal air flow
- Multi-circuited coils
- Wide selection of fin coatings and materials
- Individual motor fusing
- Individual or paired motor contactors
- EMS control options
- Variable frequency drives
- Multiple control panel locations
- Multiple refrigerant options
- Thru-the-door fused disconnect
- Main circuit breaker disconnect
- Leg height up to 46" (18" standard)
- Fixed box style legs (25")

QUANTUM AIR™ AIR COOLED CONDENSER NOMENCLATURE - LARGE MODELS (Page 45-47)

W	D	D	0	8	7	G	D	3	A
1	2	3	4	5	6	7	8	9	10
Position Number and Description									
1	Model Series - W = Witt				8	Motor			
2	Unit Type - D = Condenser					B – 1140 RPM, 1.5 HP Motor			
3	Width					D – 850 RPM, 1.5 HP Motor			
	S = Single Wide					L – 850 RPM 1 HP Motor			
	D = Double Wide					E – 550 RPM, 1/3 HP Motor			
4-6	Capacity (MBTUH)**					G – 900 RPM Variable Speed EC Motor (Rail Mtd.)			
7	Voltage Code					K – 1200 RPM Variable Speed EC Motor (Rail Mtd.)			
	E – 208-230V/3/60		N – 200-220V/3/50			(Enclosed Motors are an option available for certain Voltage/RPM combinations)			
	G – 460V/3/60		Q – 380V/3/50		9	Number of Fans Long - 1 to 7			
	J – 575V/3/60		X – Other - Non-catalogued		10	Vintage Code			

AIR COOLED CONDENSER NOMENCLATURE - SMALL MODELS (Page 44)

W	D	S	007	D	A	2	B	1	2	A	1	A
I	II	III	IV	V	VI	VII	VIII	IX	X	XI	XII	XIII
I. Model Series W – Witt								IX. Coil Material and Coating Options*				
II. Unit Type D – Condenser								1 – Aluminum fins				
III. Series S – Single fan wide								2 – Copper fins				
IV. Capacity – Three Number Characters								3 – Al + AST coating				
V. Voltage Code								6 – Al + Heresite				
A – 115V/1/60				H – 575V/1/60				7 – Al + Polyester coat - Pre Coated Fin Material				
D – 208-230V/1/60				X – Other				X – Other				
E – 208-230V/3/60								X. Housing Material and Coatings*				
F – 460V/1/60								1 – Aluminum				
G – 460V/3/60								7 – Stainless Steel 316L				
								2 – Galvanized				
								X – Other				
VI. Motor/Fan Type								XI. Unit Design Configuration				
A – 1140 RPM, 0.33 HP, Metal Blade								A – Vertical Fan Discharge, Standard Legs				
C – 850 RPM, 0.25 HP, Metal Blade								E – Vertical Fan Discharge, 30" Legs				
H – 1140 RPM, 0.5 HP Totally Enclosed, Metal Blade								N – Horizontal Fan Discharge, Standard Legs				
X – Other								XII. Circuit Splitting Options				
VII. Length in Fans – 1 or 2								1 – Full				
VIII. Coil Density								2 – 50/50				
A – 8 fpi				D – 14 fpi				X – Other				
B – 10 fpi				X – Other				XIII. Revision Code – Single Alphanumeric Character				
C – 12 fpi								A – Initial Release				

* Contact Application Engineering to obtain price quotes for special fin materials or coatings.

When ordering please specify: Motor Voltage, Control Voltage (24, 115V or 208V), Internal or External Control Power, Design Ambient Temperature, the number of compressor systems and FPI required. Also provide the Refrigerant type, THR, T.D. for each compressor system.

SMALL CONDENSERS

1075 RPM .33 HP MOTORS

Model Number	10 FPI List Price	Fan Configuration	Approx Net Weight (LBS.)
WDS001DA1B12A1A	\$2,346	1 x 1	80
WDS002DA1B12A1A	3,078	1 x 1	86
WDS003DA1B12A1A	3,439	1 x 1	107
WDS005DA1B12A1A	6,285	1 x 1	116
WDS007DA2B12A1A	7,870	1 x 2	164
WDS009DA2B12A1A	9,634	1 x 2	179
WDS011DA2B12A1A	10,816	1 x 2	195

850 RPM .25 HP MOTORS

Model Number	10 FPI List Price	Fan Config.	Approx Net Weight (LBS.)
WDS001DC1B12A1A	\$2,573	1 x 1	80
WDS002DC1B12A1A	3,691	1 x 1	86
WDS003DC1B12A1A	4,221	1 x 1	107
WDS004DC1B12A1A	6,662	1 x 1	116
WDS006DC2B12A1A	8,216	1 x 2	164
WDS008DC2B12A1A	10,330	1 x 2	179
WDS009DC2B12A1A	11,228	1 x 2	195

1075 RPM .33 HP MOTORS - Totally Enclosed

Model Number	10 FPI List Price	Fan Config.	Approx. Net Weight (LBS.)
WDS001DH1B12A1A	\$3,414	1 x 1	80
WDS002DH1B12A1A	4,147	1 x 1	86
WDS003DH1B12A1A	4,508	1 x 1	107
WDS005DH1B12A1A	7,352	1 x 1	116
WDS007DH2B12A1A	10,006	1 x 2	164
WDS009DH2B12A1A	11,769	1 x 2	179
WDS011DH2B12A1A	12,951	1 x 2	195

POSITION V - Available Voltage Options*

Voltage Code	Adders Per Fan section	Available Based Upon Position VI - Motor Options
A-115/1/60	N/C	Only available with motor option A
D-208-230/1/60	—	Available with motor options A & C
E-208-230/3/60	\$132	Available with motor options A, C, & H
F-460/1/60	N/C	Available with motor options A & C
G-460/3/60	132	Available with motor options A, C, & H
H-575/1/60	52	Only available with motor option A

Note: "N/A" = Not available, "N/C" = No additional charge, "—" = Base Model Feature

POSITION VI - Available Motor / Fan Type Options

Motor Type	Adder Per Fan	Available Based Upon Position V - Voltage Options
A- 1075, 0.33HP	—	Available in Voltage codes A, D, E, F, G, H
C- 850 RPM, 0.25HP	—	Available in Voltage codes D, E, F, G
H - 1075, 0.5 HP	—	Available in Voltage codes E, G

Note: "N/A" = Not available, "N/C" = No additional charge, "—" = Base Model Feature

Position - VII - Indicates Length in Fans (1 or 2)

Position - VIII - Coil Density Options Price Add or Deduct (8FPI)

Fan Configuration	A - 8 FPI	B - 10 FPI	C - 12 FPI	D - 14 FPI
1 X 1	(\$391)	—	\$407	\$814
1 X 2	(\$782)	—	\$814	\$1,625

Note: "N/A" = Not available, "N/C" = No additional charge, "—" = Base Model Feature

Position - IX - Coil Material and Coating Options**

Aluminum fins (Standard) / Copper fins / Other

No Coating (Standard) / Al + AST coating / Al + Heresite coating / Al + Polyester coat - Pre Coated Fin Material / Other

Position - X - Housing Material and Coating Options**

Galvanized (Standard) / Aluminum / Stainless Steel 316L / Other

Position - XI - Unit Design Configuration

Leg Configuration	Fan Config. 1 x 1	Fan Config. 1 x 2
A – Vertical Fan Discharge, Standard 15" Legs	—	—
E – Vertical Fan Discharge, 30" Legs	\$147	\$294
N – Horizontal Fan Discharge, Standard Legs	—	—

Position - XII - Circuit Splitting Options**

Full (Standard) / 50/50 / Multi-Circuiting / Subcooling Circuit / Other

Available Options**

Fan cycling head pressure control (2 fan model only)

Variable speed fan control (header end fan only)

Flooded head pressure control (shipped loose)

Notes:

* Codes D, E, F and G can be used with 50 or 60 Hz power.

** Contact Application Engineering to obtain price quotes for special fin materials, coating, circuit splitting and available options.

1. Horizontal discharge orientation is available using standard leg arrangement code A.

2. Floating coil is not available for small condensers.

QUANTUM AIR™ LARGE CONDENSERS

1140 RPM 1.5 HP MOTORS (Code B)

SINGLE FAN WIDTH

Model Number	8 FPI	10 FPI	12 FPI	14 FPI	Fans	Approx. Net Weight (LBS.)
WDS004^B1	\$7,286	\$7,721	\$8,142	\$8,563	1 x 1	350
WDS006^B1	9,277	9,711	10,134	10,554	1 x 1	375
WDS007^B1	10,359	10,794	11,215	11,635	1 x 1	400
WDS012^B2	15,237	16,109	16,950	17,792	1 x 2	725
WDS015^B2	20,973	21,845	22,686	23,528	1 x 2	750
WDS018^B2	24,854	25,725	26,566	27,409	1 x 2	775
WDS022^B3	30,672	31,978	33,241	34,504	1 x 3	1,125
WDS027^B3	35,711	37,018	38,281	39,542	1 x 3	1,150
WDS030^B4	42,852	44,594	46,278	47,961	1 x 4	1,500
WDS036^B4	48,474	50,216	51,900	53,583	1 x 4	1,525
WDS039^B5	53,464	55,642	57,746	59,850	1 x 5	1,875
WDS047^B5	62,205	64,381	66,486	68,590	1 x 5	1,900
WDS056^B6	74,440	77,054	79,579	82,104	1 x 6	2,275
WDS065^B7	87,469	90,518	93,464	96,410	1 x 7	2,650

850 RPM 1.5 HP MOTORS (Code D)

SINGLE FAN WIDTH

Model Number	8 FPI	10 FPI	12 FPI	14 FPI	Fans	Approx. Net Weight (LBS.)
WDS004^D1	\$7,210	\$7,646	\$8,067	\$8,487	1 x 1	350
WDS005^D1	9,218	9,652	10,073	10,494	1 x 1	375
WDS007^D1	10,270	10,706	11,126	11,547	1 x 1	400
WDS010^D2	15,584	16,454	17,298	18,139	1 x 2	725
WDS014^D2	20,911	21,782	22,624	23,466	1 x 2	750
WDS015^D2	23,189	24,060	24,901	25,744	1 x 2	775
WDS021^D3	30,856	32,163	33,425	34,688	1 x 3	1,125
WDS024^D3	34,935	36,242	37,505	38,768	1 x 3	1,150
WDS028^D4	41,908	43,650	45,334	47,017	1 x 4	1,500
WDS032^D4	46,995	48,737	50,421	52,104	1 x 4	1,525
WDS035^D5	51,242	53,419	55,524	57,630	1 x 5	1,875
WDS043^D5	61,512	63,690	65,794	67,899	1 x 5	1,900
WDS052^D6	73,812	76,424	78,950	81,476	1 x 6	2,275
WDS060^D7	86,543	89,591	92,537	95,483	1 x 7	2,650

DOUBLE FAN WIDTH

Model Number	8 FPI	10 FPI	12 FPI	14 FPI	Fans	Approx. Net Weight (LBS.)
WDD022^B2	\$31,470	\$33,212	\$34,896	\$36,580	2 x 2	1,500
WDD030^B2	41,875	43,617	45,300	46,984	2 x 2	1,525
WDD036^B2	48,765	50,507	52,190	53,874	2 x 2	1,550
WDD045^B3	62,637	65,250	67,775	70,299	2 x 3	2,275
WDD054^B3	73,284	75,897	78,423	80,948	2 x 3	2,300
WDD059^B4	83,864	87,349	90,716	94,083	2 x 4	3,025
WDD072^B4	96,799	100,284	103,651	107,018	2 x 4	3,050
WDD078^B5	106,931	111,285	115,495	119,704	2 x 5	3,775
WDD094^B5	124,597	128,952	133,161	137,370	2 x 5	3,800
WDD113^B6	148,864	154,089	159,141	164,190	2 x 6	4,550
WDD131^B7	175,368	181,463	187,357	193,250	2 x 7	5,300

DOUBLE FAN WIDTH

Model Number	8 FPI	10 FPI	12 FPI	14 FPI	Fans	Approx. Net Weight (LBS.)
WDD019^D2	\$30,319	\$32,060	\$33,744	\$35,428	2 x 2	1,500
WDD028^D2	41,753	43,495	45,179	46,862	2 x 2	1,525
WDD031^D2	45,598	47,340	49,024	50,707	2 x 2	1,550
WDD041^D3	62,101	64,714	67,240	69,765	2 x 3	2,275
WDD048^D3	70,511	73,124	75,650	78,176	2 x 3	2,300
WDD055^D4	83,907	87,391	90,758	94,126	2 x 4	3,025
WDD065^D4	94,187	97,671	101,039	104,406	2 x 4	3,050
WDD069^D5	102,442	106,796	111,006	115,214	2 x 5	3,775
WDD086^D5	123,243	127,598	131,806	136,016	2 x 5	3,800
WDD103^D6	147,697	152,922	157,972	163,024	2 x 6	4,550
WDD121^D7	173,108	179,204	185,096	190,990	2 x 7	5,300

^ Insert voltage code here.

\$236 List price adder per fan 575/3/60 motors.

\$907 List Price adder (per fan) for Totally Enclosed Motor. 1.5 HP 1140 or 850 RPM, or 1.0 HP 850 RPM only. Not available for 550 RPM models.

^ Insert voltage code here.

575V motors are not available for units with 850RPM, 1.5 HP motors.

QUANTUM AIR™ LARGE CONDENSERS

850 RPM 1.0 HP MOTORS (Code L)†

SINGLE FAN WIDTH

Model Number	8 FPI	10 FPI	12 FPI	14 FPI	Fans	Approx. Net Weight (LBS.)
WDS004^L1	\$6,738	\$7,175	\$7,595	\$8,016	1 x 1	350
WDS006^L1	8,724	9,160	9,581	10,002	1 x 1	375
WDS008^L1	10,429	10,864	11,285	11,706	1 x 1	400
WDS010^L2	14,635	15,506	16,349	17,190	1 x 2	725
WDS012^L2	18,464	19,336	20,177	21,020	1 x 2	750
WDS015^L2	22,325	23,195	24,037	24,879	1 x 2	775
WDS019^L3	29,169	30,475	31,738	33,001	1 x 3	1,125
WDS023^L3	33,383	34,689	35,952	37,214	1 x 3	1,150
WDS026^L4	40,385	42,127	43,811	45,494	1 x 4	1,500
WDS030^L4	45,804	47,546	49,230	50,914	1 x 4	1,525
WDS032^L5	49,185	51,363	53,467	55,571	1 x 5	1,875
WDS040^L5	60,583	62,760	64,864	66,970	1 x 5	1,900
WDS048^L6	73,097	75,710	78,236	80,761	1 x 6	2,275
WDS056^L7	85,538	88,586	91,531	94,478	1 x 7	2,650

550 RPM 1/3 HP MOTORS (Code E)†

SINGLE FAN WIDTH

Model Number	8 FPI	10 FPI	12 FPI	14 FPI	Fans	Approx. Net Weight (LBS.)
WDS004^E1	\$7,782	\$8,217	\$8,638	\$9,059	1 x 1	350
WDS005^E1	9,161	9,597	10,017	10,438	1 x 1	375
WDS006^E1	10,321	10,757	11,177	11,598	1 x 1	400
WDS008^E2	15,340	16,210	17,053	17,894	1 x 2	725
WDS011^E2	20,217	21,088	21,930	22,771	1 x 2	750
WDS012^E2	22,358	23,229	24,072	24,913	1 x 2	775
WDS016^E3	30,942	32,249	33,511	34,774	1 x 3	1,125
WDS018^E3	33,910	35,217	36,480	37,742	1 x 3	1,150
WDS021^E4	42,413	44,155	45,838	47,523	1 x 4	1,500
WDS025^E4	47,555	49,297	50,980	52,664	1 x 4	1,525
WDS028^E5	53,884	56,062	58,167	60,271	1 x 5	1,875
WDS032^E5	59,723	61,900	64,004	66,111	1 x 5	1,900
WDS040^E6	75,991	78,603	81,128	83,655	1 x 6	2,275
WDS046^E7	88,839	91,888	94,834	97,781	1 x 7	2,650

DOUBLE FAN WIDTH

Model Number	8 FPI	10 FPI	12 FPI	14 FPI	Fans	Approx. Net Weight (LBS.)
WDD017^L2	\$28,199	\$29,940	\$31,623	\$33,308	2 x 2	1,500
WDD026^L2	40,369	42,111	43,794	45,478	2 x 2	1,525
WDD030^L2	45,823	47,564	49,247	50,931	2 x 2	1,550
WDD038^L3	61,041	63,654	66,179	68,704	2 x 3	2,275
WDD046^L3	71,225	73,838	76,363	78,889	2 x 3	2,300
WDD051^L4	81,968	85,452	88,820	92,186	2 x 4	3,025
WDD060^L4	93,356	96,841	100,208	103,575	2 x 4	3,050
WDD063^L5	99,499	103,853	108,063	112,272	2 x 5	3,775
WDD080^L5	122,788	127,143	131,352	135,561	2 x 5	3,800
WDD097^L6	147,471	152,697	157,747	162,799	2 x 6	4,550
WDD113^L7	172,842	178,939	184,832	190,724	2 x 7	5,300

DOUBLE FAN WIDTH

Model Number	8 FPI	10 FPI	12 FPI	14 FPI	Fans	Approx. Net Weight (LBS.)
WDD016^E2	\$32,881	\$34,624	\$36,307	\$37,991	2 x 2	1,500
WDD021^E2	42,413	44,155	45,838	47,523	2 x 2	1,525
WDD025^E2	47,132	48,874	50,558	52,241	2 x 2	1,550
WDD032^E3	65,084	67,696	70,223	72,747	2 x 3	2,275
WDD037^E3	71,278	73,892	76,417	78,943	2 x 3	2,300
WDD043^E4	87,079	90,561	93,930	97,297	2 x 4	3,025
WDD050^E4	97,012	100,494	103,863	107,230	2 x 4	3,050
WDD055^E5	111,086	115,440	119,649	123,858	2 x 5	3,775
WDD063^E5	121,957	126,312	130,521	134,731	2 x 5	3,800
WDD080^E6	154,643	159,869	164,920	169,971	2 x 6	4,550
WDD093^E7	179,820	185,917	191,809	197,703	2 x 7	5,300

^ Insert voltage code here.

^ Insert voltage code here.

575V motors are not available for units with 550RPM, 1/3 HP motors.

\$907 List Price adder (per fan) for Totally Enclosed Motor. 1.5 HP 1140 or 850 RPM, or 1.0 HP 850 RPM only. Not available for 550 RPM models.

† These models fulfill California Title 24 condenser efficiency requirements when utilizing Variable Frequency Drives and 10 FPI coils.

QUANTUM AIR™ LARGE CONDENSERS

VSEC 1200 RPM (Code K)

SINGLE FAN WIDTH

Model Number	8 FPI	10 FPI	12 FPI	14 FPI	Fans	Approx. Net Weight (LBS.)
WDS005^K1	\$13,219	\$13,654	\$14,075	\$14,496	1 x 1	350
WDS006^K1	15,209	15,644	16,066	16,488	1 x 1	375
WDS008^K1	16,292	16,728	17,148	17,569	1 x 1	400
WDS013^K2	27,104	27,975	28,816	29,658	1 x 2	725
WDS016^K2	32,840	33,711	34,552	35,394	1 x 2	750
WDS019^K2	36,721	37,591	38,433	39,274	1 x 2	775
WDS024^K3	48,471	49,778	51,041	52,304	1 x 3	1,125
WDS028^K3	53,510	54,817	56,079	57,342	1 x 3	1,150
WDS032^K4	66,585	68,327	70,011	71,693	1 x 4	1,500
WDS038^K4	72,207	73,949	75,633	77,316	1 x 4	1,525
WDS041^K5	83,129	85,307	87,411	89,515	1 x 5	1,875
WDS049^K5	91,870	94,047	96,152	98,256	1 x 5	1,900
WDS059^K6	110,039	112,653	115,178	117,703	1 x 6	2,275
WDS069^K7	129,001	132,049	134,996	137,942	1 x 7	2,650

DOUBLE FAN WIDTH

Model Number	8 FPI	10 FPI	12 FPI	14 FPI	Fans	Approx. Net Weight (LBS.)
WDD023^K2	\$55,203	\$56,945	\$58,629	\$60,313	2 x 2	1,500
WDD032^K2	65,608	67,350	69,032	70,716	2 x 2	1,525
WDD038^K2	72,498	74,240	75,922	77,606	2 x 2	1,550
WDD047^K3	98,236	100,848	103,373	105,898	2 x 3	2,275
WDD057^K3	108,883	111,495	114,022	116,547	2 x 3	2,300
WDD063^K4	131,329	134,814	138,181	141,548	2 x 4	3,025
WDD075^K4	144,265	147,748	151,116	154,483	2 x 4	3,050
WDD082^K5	166,261	170,617	174,826	179,035	2 x 5	3,775
WDD099^K5	183,929	188,283	192,492	196,702	2 x 5	3,800
WDD118^K6	220,062	225,286	230,338	235,388	2 x 6	4,550
WDD138^K7	258,440	264,536	270,428	276,321	2 x 7	5,300

^ Insert voltage code here.

VSEC 900 RPM (Code G)

SINGLE FAN WIDTH

Model Number	8 FPI	10 FPI	12 FPI	14 FPI	Fans	Approx. Net Weight (LBS.)
WDS004^G1	\$13,219	\$13,654	\$14,075	\$14,496	1 x 1	350
WDS005^G1	15,209	15,644	16,066	16,488	1 x 1	375
WDS007^G1	16,292	16,728	17,148	17,569	1 x 1	400
WDS010^G2	27,104	27,975	28,816	29,658	1 x 2	725
WDS014^G2	32,840	33,711	34,552	35,394	1 x 2	750
†WDS015^G2*	36,721	37,591	38,433	39,274	1 x 2	775
WDS021^G3	48,471	49,778	51,041	52,304	1 x 3	1,125
†WDS025^G3*	53,510	54,817	56,079	57,342	1 x 3	1,150
WDS028^G4	66,585	68,327	70,011	71,693	1 x 4	1,500
†WDS033^G4*	72,207	73,949	75,633	77,316	1 x 4	1,525
WDS035^G5	83,129	85,307	87,411	89,515	1 x 5	1,875
†WDS044^G5*	91,870	94,047	96,152	98,256	1 x 5	1,900
†WDS052^G6*	110,039	112,653	115,178	117,703	1 x 6	2,275
†WDS061^G7*	129,001	132,049	134,996	137,942	1 x 7	2,650

DOUBLE FAN WIDTH

Model Number	8 FPI	10 FPI	12 FPI	14 FPI	Fans	Approx. Net Weight (LBS.)
WDD020^G2	\$55,203	\$56,945	\$58,629	\$60,313	2 x 2	1,500
WDD028^G2	65,608	67,350	69,032	70,716	2 x 2	1,525
†WDD032^G2*	72,498	74,240	75,922	77,606	2 x 2	1,550
WDD042^G3	98,236	100,848	103,373	105,898	2 x 3	2,275
†WDD049^G3*	108,883	111,495	114,022	116,547	2 x 3	2,300
WDD056^G4	131,329	134,814	138,181	141,548	2 x 4	3,025
†WDD065^G4*	144,265	147,748	151,116	154,483	2 x 4	3,050
WDD070^G5	166,261	170,617	174,826	179,035	2 x 5	3,775
†WDD087^G5*	183,929	188,283	192,492	196,702	2 x 5	3,800
†WDD105^G6*	220,062	225,286	230,338	235,388	2 x 6	4,550
†WDD122^G7*	258,440	264,536	270,428	276,321	2 x 7	5,300

^ Insert voltage code here.

† These selected models fulfill California Title 24 condenser efficiency requirements when utilizing 10 FPI coils.



PRINCIPAL TERMS AND CONDITIONS OF SALE

Supersedes all previous versions.

1. **Applicable Law and Terms of Sale:** All orders shall be subject to the following terms and conditions notwithstanding any additional or contrary printed terms and conditions of Buyer. Such additional or contrary terms shall not bind Seller unless accepted in writing even though such terms do not materially alter the terms hereof. No oral statements, warranties, stipulations, representations or terms shall have any binding effect or be any part of the contract whatsoever.
2. **Orders:** All orders must be in writing and will be binding when our order acknowledgment is mailed. Orders are accepted subject to strikes, fires, accidents, and other causes beyond our reasonable control. Acceptance of your order is conditioned upon an agreement to hold us harmless by reason of delivery delays.
3. **Prices:** Prices are subject to change without notice, and all quotations, unless otherwise specified, are binding only for immediate acceptance. Prices are based on material made to Seller's standard tolerances, unless otherwise specified.
4. **Freight:** All products are shipped FOB Point of Shipment with full freight allowed on single orders with a net price value of \$10,000.00 or more, except surface coils and parts, within the continental USA (excluding Alaska and Hawaii). Shipments to destinations outside the continental USA, that meet freight allowance requirements, will incur charges for the additional transport beyond the USA border. Seller reserves the choice of transportation mode, carrier, and shipping point. If special routing (dedicated/contract haul, flatbed delivery, appointment to meet a crane, etc.) is required/requested for a purchase order of \$10,000.00 or greater, Buyer will be assessed a special delivery charge per truck. Charges of \$80 per hour resulting from excessive unloading time, beyond the allotted "free time" (two hours per stop on partial loads and/or full truck loads), as defined by the carrier, is subject to being passed on to the customer. The responsibility of the Seller shall cease upon delivery of product in good condition to a common carrier (TL, LTL, FLATBED, ETC). Since all goods are shipped at Buyer's risk, they should be examined carefully before signing delivery receipt. If common carrier tenders delivery of goods in damaged condition or if packages delivered do not correspond with the number called for on the freight bill, Buyer should insist on common carrier's agent (DRIVER) making notation of the condition of shortages or damage on delivery receipt. The Buyer should never refuse freight from the common carrier. Filing freight claims are under the responsibility of the Buyer, and this will enable them to secure prompt payment of claim for damaged or lost material. Sometimes damage or loss is not readily apparent, so it is suggested that Buyer thoroughly inspect each shipment as soon as it is received for concealed loss or damage. Refer to HTPG's 2019 Freight Policy for further information.
5. **Taxes:** Any sales, use, excise, or similar tax payable by Seller which is or may be imposed by any taxing authority upon manufacture, sale or delivery of goods covered by any order or any increase in rate of any such tax now in force, shall be added to the sales price; if not collected at the time of payment of sales price, Buyer will hold Seller harmless.
6. **Limited Warranty:** Seller warrants against defect in materials and workmanship in products which it manufactures for (1) year from date of installation or up to (18) eighteen months from the date of shipment, whichever event occurs first, when properly installed and operated under normal use. This guarantee does not include any labor or other charges made outside of the Seller's factory for replacement or repair of defective parts unless specifically stated in the body of the Seller's invoice. On parts not manufactured by Seller, such as motors, controls, valves and compressors we extend to the Buyer the same warranties made to us by the manufacturer. Seller's only liability under this warranty or otherwise shall be the repair or replacement (at Seller's option) of non-conforming goods or parts. Seller assumes no liability for incidental or consequential damages such as injury to person or property, or lost profits.
7. **THIS GUARANTEE SUPERSEDES AND IS IN LIEU OF ANY AND ALL OTHER WARRANTIES BY LAW OR CUSTOM, EITHER EXPRESSED OR IMPLIED INCLUDING, BUT NOT LIMITED BY THIS ENUMERATION, ANY GUARANTEE AS TO QUALITY OR FITNESS FOR ANY PARTICULAR PURPOSE, EXCEPT AS SET FORTH ABOVE. NO PERSON, AGENT, OR DEALER IS AUTHORIZED TO GIVE ANY WARRANTIES ON BEHALF OF SELLER NOR TO ASSUME FOR SELLER ANY OTHER LIABILITY IN CONNECTION WITH ANY OF THE SELLER'S PRODUCTS.**
8. **Delivery:** Seller shall not be liable for any delays in or failure of delivery due to acts of God or public authority, labor disputes, accidents, fires, floods, extreme weather conditions, failure of and delays by carriers, shortages of material, delays of a supplier, and any other cause beyond Seller's control. In no event shall Seller be liable for consequential or special damages arising out of a delay in or failure of delivery. Failure to meet estimated ship dates will not be considered sufficient cause of cancellation of orders.
9. **Cancellations and Returned Goods:** Permission to return any part or product must be obtained from Seller and may be subject to a restocking charge. Credits for new material accepted for return will be at the original sales price or current market price, whichever is lower, less handling and restocking charges. Buyer must prepay all transportation charges. Any costs for putting material in condition for resale will be charged to the Buyer. Shipment of material returned without factory authorization or not properly tagged with a Return Material Authorization Number or not freight prepaid cannot be received by Seller. Obsolete products or material made to special order are not returnable.
10. **Catalog Materials and Drawings:** Seller is not responsible for typographical errors or other errors of omission in Seller's catalogs or drawings.
11. **Late Charge Provision:** Buyer agrees to pay a late charge of 1-1/2% per month (18% per year) for any invoice or bill not paid within (30) thirty days of the date of the billing invoice.
12. **Choices of law, Disputes:** This agreement and the performance of the parties hereunder shall be construed in accordance with and governed by the laws of the State of Georgia and shall be deemed made in the state. Buyer irrevocably consents to the exclusive jurisdiction of the courts of Fulton County, on all matters arising out of or relating to this sale and Buyer further irrevocably consents to service of process by certified mail, return receipt requested, at Buyer's address set forth in the order acknowledgement.

The above terms and conditions apply to all orders placed with the Seller. Buyer acknowledges having read and understood these terms and conditions and agrees to abide by them upon placement of any order with the Seller. In the event it becomes necessary to refer the account to a collection agency or to institute legal action to obtain payment of the account, Buyer agrees to pay all reasonable attorney fees and court costs incurred by such action.

