



The new degree of comfort.®



Residential Gas
RTG Tankless Water Heaters
No Remote Models

Rheem RTG is a series of ultra low NOx, Non-Condensing Tankless Gas Water Heaters designed for continuous hot water

Efficiency

- .81 - .82 UEF with all-copper heat exchanger

Easy Installation and Service

- 1/2" Gas line compatibility up to 24 ft.¹
- Connects to Metal Fab. Inc., 3"/5" concentric venting without an adapter
- High-altitude capability – up to 8,400 ft. elevation above sea level²
- Requires 120V power supply

Performance

- **Low Flow Activation** – Minimum flow rate of .26 GPM and activation flow rate of .40 GPM ensures hot water in low demand situations
- **Exclusive! Hot Start Programming** – Minimizes cold water bursts by staying in ready-fire state for back-to-back hot water needs

Technology

- For higher demand applications, accessories available to link multiple units in a load-sharing system

Environmentally Friendly

- **Low Emissions** – Ultra low NOx burner meets SCAQMD rule 1146.2 requirements

- **Exclusive! Water Savings Setting** – upon activation, this setting can save up to 1,100 gallons water/year³ by reducing flow at the tap until set temperature is achieved (optional)

Safety

- **Exclusive! Guardian OFW™** **overheat film wrap** – prevents dangerous temperatures and provides industry best side-to-side clearance of 1/2 inch
- Maximum water temperature is 140°F. For higher temperature applications, upgrade kits are available

Warranty

- 12-Year heat exchanger – residential, 5-year heat exchanger – commercial, 5-year parts and 1-year labor

See Warranty Certificate for complete information



Indoor DV

Outdoor

11,000-199,900 BTU/h
Natural and LP Gas



LEED Points = 2

PLEASE NOTE:

THERE IS NO REMOTE INCLUDED WITH THIS WATER HEATER.

The water heater will continue to function safely and normally without the controller connected.

NOTICE:

- Set point is 120°F and cannot be adjusted higher
- Error codes must be read with an accessory remote, RTG20006DW: Remote Control (UMG117) and wire – Available for purchase through parts.rheem.com
- Reference supplemental Use & Care for further details on installation and troubleshooting with the unit



INTEGRATED HOME COMFORT



The new degree of comfort.®



Residential Gas
RTG Tankless Water Heaters
No Remote Models

Specifications

DESCRIPTION				FEATURES					ROUGHING IN DIMENSIONS (SHOWN IN INCHES)					ENERGY INFO.		
MODEL NUMBER	GAS INPUT BTU/H	TYPE	NUMBER OF BATHROOMS*	TEMP. RANGE**	MIN. FLOW/ACTIVATION GPM	GPM @ 67° RISE MAX.	GPM @ 45° RISE MAX.	GPM @ 35° RISE MAX.	CONNECTION		HEIGHT	WIDTH	DEPTH	VENT DIAM.	SHIP WEIGHT (LBS.)	UNIFORM ENERGY FACTOR (UEF)
									WATER	GAS						
Rheem RTG-95 Non-Condensing Series																
RTG-95DVLN-1NR	11,000-199,900	Indoor Direct Vent	3-4	85° to 140° F	0.26/0.40	5.0	7.4	9.5	3/4	3/4	25-5/8	13-7/8	9-7/8	3 by 5 CONCENTRIC	54	0.82
RTG-95XLN-1NR	11,000-199,900	Outdoor	3-4	85° to 140° F	0.26/0.40	4.9	7.4	9.5	3/4	3/4	23-5/8	13-7/8	8-7/8	N/A	54	0.81
Rheem RTG-84 Non-Condensing Series																
RTG-84DVLN-1NR	11,000-180,000	Indoor Direct Vent	3	85° to 140° F	0.26/0.40	4.5	6.7	8.4	3/4	3/4	25-5/8	13-7/8	9-7/8	3 by 5 CONCENTRIC	54	0.82
RTG-84XLN-1NR	11,000-180,000	Outdoor	3	85° to 140° F	0.26/0.40	4.5	6.7	8.4	3/4	3/4	23-5/8	13-7/8	8-7/8	N/A	54	0.81
Rheem RTG-70 Non-Condensing Series																
RTG-70DVLN-1NR	11,000-160,000	Indoor Direct Vent	2-3	85° to 140° F	0.26/0.40	4.1	6.0	7.0	3/4	3/4	25-5/8	13-7/8	9-7/8	3 by 5 CONCENTRIC	54	0.82
RTG-70XLN-1NR	11,000-160,000	Outdoor	2-3	85° to 140° F	0.26/0.40	4.1	6.0	7.0	3/4	3/4	23-5/8	13-7/8	8-7/8	N/A	54	0.81

*Based on simultaneous showers using 2.5 gallons per minute. Flow rates vary depending on temperature of cold water supply.

**Full temperature range accessible ONLY when optional accessory remote is installed. Units shipped without remote (ending in NR) have the following temperature options: 104°F, 110°F, 120°F. Reference supplemental Use and Care Manual for more information.

Uniform Energy Factor and Energy Factor based on Department of Energy (D.O.E.) requirements.

All models are available in Natural Gas and Propane (LP). For Propane replace the N with P when ordering.

SCAQMD 1146.2 compliant.

Factory set maximum temperature is 120° F. See Use and Care Manual for setting.

Consult factory for information on sizing the application.

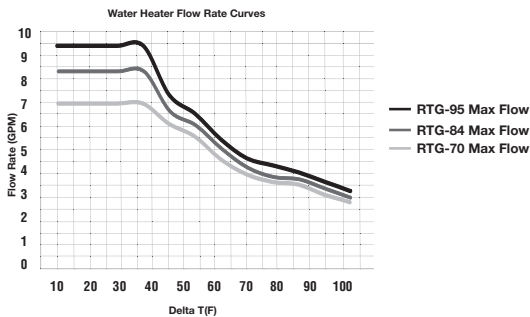
Vent Termination Kits are required for Direct Vent models. Contact your distributor for details.

Proper gas pressure must be ensured to supply tankless gas water heaters – up to 199,900 BTU/h for RTG-95 models, up to 180,000 BTU/h for RTG-84 models and up to 160,000 BTU/h for RTG-70 models. (Consult your gas supplier)

Temperature Rise (° F)

Model Number	35°	45°	50°	60°	67°	70°	80°	90°	100°
RTG-95 Water Flow (GPM)	9.5	7.4	6.6	5.5	5.0	4.7	4.1	3.7	3.3
RTG-84 Water Flow (GPM)	8.4	6.7	6.1	5.1	4.5	4.3	3.8	3.4	3.0
RTG-70 Water Flow (GPM)	7.0	6.0	5.4	4.5	4.1	3.9	3.4	3.0	2.7

Above estimates are for sizing purposes only.



Maximum Vent Length (intake/outlet):

Number of 90° Elbows	Maximum Length of Straight Pipe
1	39.0 ft. (12.0 m)
2	37.5 ft. (11.5 m)
3	36 ft. (11 m)
4	34.5 ft. (10.5 m)
5	33.0 ft. (10.0 m)
6	31.5 ft. (9.5 m)

(Manufacturer approved venting required)

¹ Based on Rheem testing of 1/2" gas line with gas supply of 7" w.c. up to 24"; Installation conditions vary; Consult the Rheem® Use and Care Manual, the Rheem® Gas Piping Facts brochure (TK-GPF-12), the National Fuel Gas Code (NFPA 54, ANSI Z223.1), and any other local gas codes when installing a Rheem Tankless Water Heater. ² Contact customer service for exact altitude rating for each model. ³ Savings based on DOE test procedures.

Parts and Accessories

Venting & terminations, recess boxes, pipe covers, extra remote controls, EZ-Link™ cable, manifolds and cables, service valve kits, service parts, flush kits, recirculation pump kits and AllClear™ water treatment system. Motion detector and remote control accessories available for built-in on-demand recirculation models. For more information on Tankless parts and accessories, see the Parts and Accessories Catalog or call 866-720-2076.

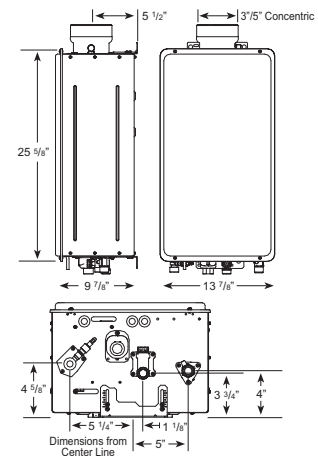
In keeping with its policy of continuous progress and product improvement, Rheem reserves the right to make changes without notice.

Rheem Water Heating • 1115 Northmeadow Parkway, Suite 100
Roswell, Georgia 30076 • www.rheem.com



INTEGRATED HOME COMFORT

Indoor Direct Vent



Outdoor

